

II. PWM METHODS

A. Sine PWM (1)

➤ Three-phase inverter

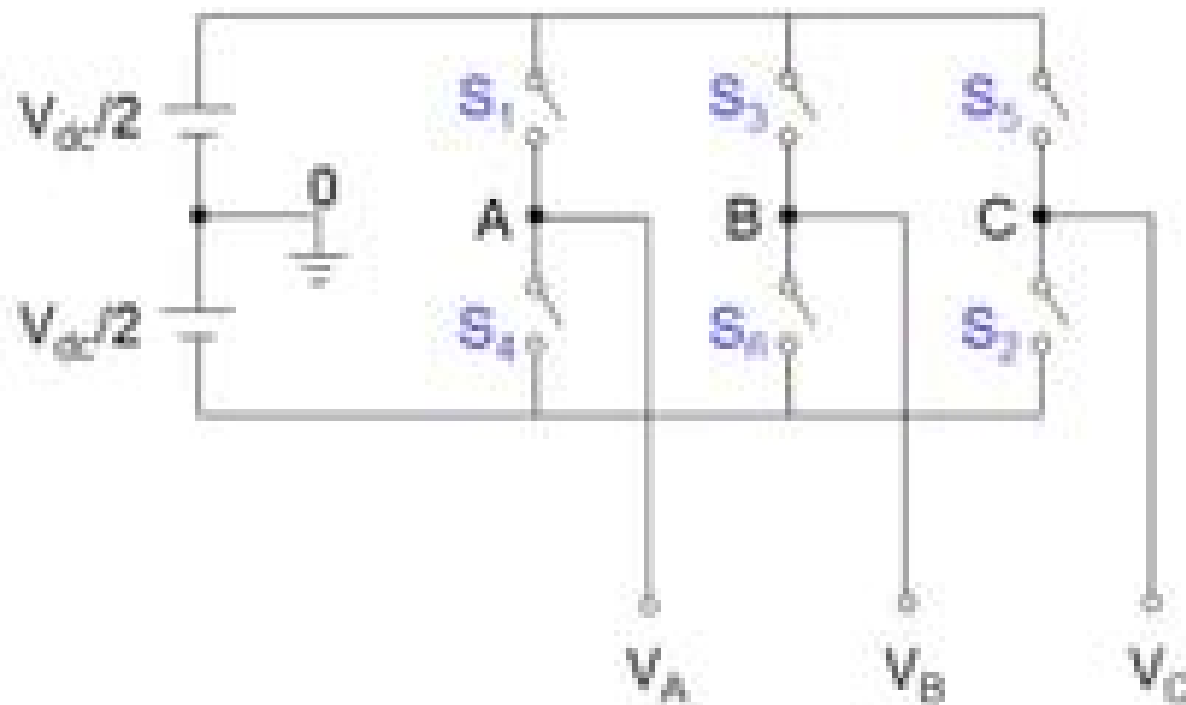


Fig. 6 Three-phase Sine PWM inverter.

Chapter 7 Pwm Techniques

**Kundan Kumar,Ambrish
Devanshu,Subrata
Banerjee,Lairenlakpam
Robindro,Sheldon S. Williamson**

Chapter 7 Pwm Techniques:

m-Mode SVPWM Technique for Power Converters Bo Zhang, Dongyuan Qiu, 2019-01-29 This book presents a novel control method for power converters referred to as m mode control It provides an overview of traditional control methods for inverters e g PWM and SVPWM and the theory of the m mode control method while also discussing and applying m mode control on various types of converters including three phase nine switch five leg and multi level inverters PWM rectifiers and modular multi level converters The book provides readers with sufficient background and understanding to delve deeper into the topic of SVPWM control It is also a valuable guide for engineers and researchers whose work involves power converter control

Advanced Pulse-Width-Modulation: With Freedom to Optimize Power Electronics Converters Dong Jiang, Zewei Shen, Qiao Li, Jianan Chen, Zicheng Liu, 2021-01-20 This book is a technical publication for students scholars and engineers in electrical engineering focusing on the pulse width modulation PWM technologies in power electronics area Based on an introduction of basic PWM principles this book analyzes three major challenges for PWM on system performance power losses voltage current ripple and electromagnetic interference EMI noise and the lack of utilization of control freedoms in conventional PWM technologies Then the model of PWM s impact on system performance is introduced with the current ripple prediction method for voltage source converter as example With the prediction model two major advanced PWM methods are introduced variable switching frequency PWM and phase shift PWM which can reduce the power losses and EMI for the system based on the prediction model Furthermore the advanced PWM can be applied in advanced topologies including multilevel converters and paralleled converters With more control variables in the advanced topologies performance of PWM can be further improved Also for the special problem for common mode noise this book introduces modified PWM method for reduction Especially the paralleled inverters with advanced PWM can achieve good performance for the common mode noise reduction Finally the implementation of PWM technologies in hardware is introduced in the last part

Electric Motor Control Sang-Hoon Kim, 2017-05-09 Electric Motor Control DC AC and BLDC Motors introduces practical drive techniques of electric motors to enable stable and efficient control of many application systems also covering basic principles of high performance motor control techniques driving methods control theories and power converters Electric motor drive systems play a critical role in home appliances motor vehicles robotics aerospace and transportation heating ventilating and cooling equipment s robotics industrial machinery and other commercial applications The book provides engineers with drive techniques that will help them develop motor drive system for their applications Includes practical solutions and control techniques for industrial motor drive applications currently in use Contains MATLAB Simulink simulation files Enables engineers to understand the applications and advantages of electric motor drive systems

Programming the BeagleBone Yogesh Chavan, 2016-01-28 Master BeagleBone programming by doing simple electronics and Internet of Things projects About This Book Quickly develop electronics projects that interact with Internet

applications using JavaScript and Python Learn about electronics components such as sensors and motors and how to communicate with them by writing programs A step by step guide to explore the exciting world of BeagleBone from connecting BeagleBone to doing electronics projects and creating IoT applications Who This Book Is For If you want to learn programming on embedded systems with BeagleBone by doing simple electronics projects this book is for you This book is also helpful to BeagleBone owners who want to quickly implement small scale home automation solutions It is assumed that you have familiarity with C and Python programming Some familiarity with electronics is helpful but not essential What You Will Learn Connect your BeagleBone to a computer in different ways and get the Cloud9 IDE running to quick start programming on the BeagleBone Get to know about BeagleBone extension pins such as GPIO and how to connect various electronics components with BeagleBone Read and write to various electronics components such as LED Push button sensors and motors Grasp in depth theory on Analog PWM and BUS programming and the electronics components used in programs Handle data to and from various BUS supporting modules such as UART I2C and SPI using the Adafruit BBIO Python library Write real life IoT applications in JavaScript and Python such as shooting an e mail on overheat and controlling a servo motor remotely Make use of online free cloud services to store and analyze sensor data collected on the BeagleBone Discover what else can be done using the BeagleBone Get to grips with embedded system BUS communication In Detail The whole world is moving from desktop computers to smartphones and embedded systems We are moving towards utilizing Internet of Things IoT An exponential rise in the demand for embedded systems and programming in the last few years is driving programmers to use embedded development boards such as Beaglebone BeagleBone is an ultra small cost effective computer that comes with a powerful hardware It runs a full fledged Debian Linux OS and provides numerous electronics solutions BeagleBone is open source and comes with an Ethernet port which allows you to deploy IoT projects without any additions to the board It provides plenty of GPIO Analog pins and UART I2C SPI pins which makes it the right choice to perform electronics projects This gives you all the benefits of Linux kernel such as multitasking multiusers and extensive device driver support This allows you to do programming in many languages including high level languages such as JavaScript and Python This book aims to exploit the hardware and software capabilities of BeagleBone to create real life electronics and IoT applications quickly It is divided into two parts The first part covers JavaScript programs The second part provides electronics projects and IoT applications in Python First you will learn to use BeagleBone as tool to write useful applications on embedded systems Starting with the basics needed to set up BeagleBone and the Cloud9 IDE this book covers interfacing with various electronics components via simple programs The electronics theory related to these components is then explained in depth before you use them in a program Finally the book helps you create some real life IoT applications Style and approach An easy to follow guide full of real world electronics programs and quick troubleshooting tips using BeagleBone All the required electronics concepts are explained in detail before using them in a program and all programs are explained in depth Most of

the theory is covered in the first part while the second part gives you some quick programs *Recent Advancements and Emerging Technologies in Multi-level Inverters* Kundan Kumar,Ambrish Devanshu,Subrata Banerjee,Lairenlakpam Robindro,Sheldon S. Williamson,2025-10-14 Recent Advances and Emerging Technologies in Multi Level Inverters provides a comprehensive exploration of the latest innovations and trends in multi level inverter technology This book delves into cutting edge designs control strategies and applications of multi level inverters in renewable energy systems electric vehicles and industrial automation It combines theoretical foundations with practical insights offering readers a holistic understanding of inverter operation and performance optimization Designed for researchers students and industry professionals the book highlights advancements in power electronics and their role in addressing modern energy challenges With detailed analyses and real world case studies this is an essential resource for anyone interested in the future of energy conversion and sustainable technologies *Pulsewidth Modulated DC-to-DC Power Conversion* Byungcho Choi,2013-07-30 This is the definitive reference for anyone involved in pulsewidth modulated DC to DC power conversion Pulsewidth Modulated DC to DC Power Conversion Circuits Dynamics and Control Designs provides engineers researchers and students in the power electronics field with comprehensive and complete guidance to understanding pulsewidth modulated PWM DC to DC power converters Presented in three parts the book addresses the circuitry and operation of PWM DC to DC converters and their dynamic characteristics along with in depth discussions of control design of PWM DC to DC converters Topics include Basics of DC to DC power conversion DC to DC converter circuits Dynamic modeling Power stage dynamics Closed loop performance Voltage mode control and feedback design Current mode control and compensation design Sampling effects of current mode control Featuring fully tested problems and simulation examples as well as downloadable lecture slides and ready to run PSpice programs Pulsewidth Modulated DC to DC Power Conversion is an ideal reference book for professional engineers as well as graduate and undergraduate students *Advanced Multilevel Converters and Applications in Grid Integration* Ali Iftekhar Maswood,Hossein Dehghani Tafti,2018-10-09 A comprehensive survey of advanced multilevel converter design control operation and grid connected applications Advanced Multilevel Converters and Applications in Grid Integration presents a comprehensive review of the core principles of advanced multilevel converters which require fewer components and provide higher power conversion efficiency and output power quality The authors noted experts in the field explain in detail the operation principles and control strategies and present the mathematical expressions and design procedures of their components The text examines the advantages and disadvantages compared to the classical multilevel and two level power converters The authors also include examples of the industrial applications of the advanced multilevel converters and offer thoughtful explanations on their control strategies Advanced Multilevel Converters and Applications in Grid Integration provides a clear understanding of the gap difference between research conducted and the current industrial needs This important guide Puts the focus on the new challenges and topics in related areas such as modulation methods

harmonic analysis voltage balancing and balanced current injection Makes a strong link between the fundamental concepts of power converters and advances multilevel converter topologies and examines their control strategies together with practical engineering considerations Provides a valid reference for further developments in the multilevel converters design issue Contains simulations files for further study Written for university students in electrical engineering researchers in areas of multilevel converters high power converters and engineers and operators in power industry Advanced Multilevel Converters and Applications in Grid Integration offers a comprehensive review of the core principles of advanced multilevel converters with contributions from noted experts in the field *Inverters and AC Drives* Narayanaswamy P.R.

Iyer,2024-12-26 Successful development of power electronic converters and converter fed electric drives involves system modeling analyzing the output voltage current electromagnetic torque and machine speed and making necessary design changes before hardware implementation *Inverters and AC Drives Control Modeling and Simulation Using Simulink* offers readers Simulink models for single multi triangle carrier selective harmonic elimination and space vector PWM techniques for three phase two level multi level including modular multi level Z source Quasi Z source switched inductor switched capacitor and diode assisted extended boost inverters six step inverter fed permanent magnet synchronous motor PMSM brushless DC motor BLDCM and induction motor IM drives vector controlled PMSM IM drives direct torque controlled inverter fed IM drives and fuzzy logic controlled converter fed AC drives with several examples and case studies Appendices in the book include source codes for all relevant models model projects and answers to selected model projects from all chapters This textbook will be a valuable resource for upper level undergraduate and graduate students in electrical and electronics engineering power electronics and AC drives It is also a hands on reference for practicing engineers and researchers in these areas *High Performance Control of AC Drives with Matlab / Simulink Models* Haitham Abu-Rub,Atif Iqbal,Jaroslav Guzinski,2012-04-13 A comprehensive guide to understanding AC machines with exhaustive simulation models to practice design and control Nearly seventy percent of the electricity generated worldwide is used by electrical motors Worldwide huge research efforts are being made to develop commercially viable three and multi phase motor drive systems that are economically and technically feasible Focusing on the most popular AC machines used in industry induction machine and permanent magnet synchronous machine this book illustrates advanced control techniques and topologies in practice and recently deployed Examples are drawn from important techniques including Vector Control Direct Torque Control Nonlinear Control Predictive Control multi phase drives and multilevel inverters Key features include systematic coverage of the advanced concepts of AC motor drives with and without output filter discussion on the modelling analysis and control of three and multi phase AC machine drives including the recently developed multi phase phase drive system and double fed induction machine description of model predictive control applied to power converters and AC drives illustrated together with their simulation models end of chapter questions with answers and PowerPoint slides available on the companion

website www.wiley.com/go/aburub_control This book integrates a diverse range of topics into one useful volume including most the latest developments It provides an effective guideline for students and professionals on many vital electric drives aspects It is an advanced textbook for final year undergraduate and graduate students and researchers in power electronics electric drives and motor control It is also a handy tool for specialists and practicing engineers wanting to develop and verify their own algorithms and techniques

Field-oriented Control for Induction Motor Drives Zaher Daboussi,1990

Power Electronics in Energy Conversion Systems Behrooz Mirafzal,2021-10-01 Learn fundamental concepts of power electronics for conventional and modern energy conversion systems This textbook offers comprehensive coverage of power electronics for the dynamic and steady state analysis of conventional and modern energy conversion systems The book includes detailed discussions of power converters for energy conversion techniques in renewable energy systems grid interactive inverters and motor drives Written by a seasoned educator *Power Electronics in Energy Conversion Systems* contains exclusive topics and features hundreds of helpful illustrations Readers will gain clear understandings of the concepts through many examples and simulations Coverage includes An introduction to power electronics and energy conversion Fundamental concepts in electric and magnetic circuits Principles of electromechanical systems Steady state analysis of DC DC converters Dynamics of DC DC converters Steady state analysis of inverters Steady state analysis and control of rectifiers Control and dynamics of grid interactive inverters Dynamic models of AC machines Control of inverters in motor drive systems Inverters and high frequency transients

Microcontroller Theory and Applications Daniel J. Pack,Steven Frank Barrett,2008 For undergraduate students taking a Microcontroller or Microprocessor course frequently found in electrical engineering and computer engineering curricula This text provides the reader with fundamental assembly language programming skills an understanding of the functional hardware components of a microcontroller and skills to interface a variety of external devices with microcontrollers

Power Electronics and Variable Frequency Drives Bimal K. Bose,1997 This original contributed volume combines the individual expertise of eleven world renowned professionals to provide comprehensive authoritative coverage of state of the art power electronics and AC drive technology Featuring an extensive introductory chapter by power electronics expert Bimal K Bose and more than 400 figures **POWER ELECTRONICS AND VARIABLE FREQUENCY DRIVES** covers each of the field s component disciplines and drives all in one complete resource Broad in scope and unique in its presentation this volume belongs on the bookshelf of every industry engineer professor graduate student and researcher involved in this fast growing multidisciplinary field It is an essential for teaching research development and design

Multilevel Inverters and Their Applications in Power System Jin Wang,2005

[Nonlinear Phenomena in Power Electronics](#) Soumitro Banerjee,George C. Verghese,2001-07-16 Brings the knowledge of 24 experts in this maturing field out from the narrow confines of academic circles and makes it accessible to graduate students and power electronics professionals alike Provides practicing engineers with the knowledge to predict power requirement behavior The insights

gained from this all inclusive compilation will ultimately lead to better design methodologies

An All-active Hybrid Switching Converter for Power Electronic Utility Applications Girish Radhakrishna Kamath,1998

Intelligent Control Yasuhiko Dote,Richard Gibson Hoft,1998 This book describes intelligent control and its use in power electronic systems specifically AC motor drives and uninterruptable power supply UPS systems The book covers both the fundamentals of the subject and its practical applications From the Foreword by Lofti A Zadeh Director of Berkeley Soft Computing Center California What is unusual about this book is that it starts with a description of more or less classical control techniques moves on to modern control and state space techniques addresses in detail the complex issues arising in the analysis and design of robust control takes up digital signal processing controllers and finally presents a very insightful exposition of soft computing techniques and their application to advanced control of AC drives and UPS systems

The Impact of Measurement Error on the At-site Flood Frequency Estimation Problem John F. Walker,1985

Modern Control Technology Christopher T. Kilian,2001 Thoroughly updated this edition features new material on decibels levers friction clutches and brakes tooth rotor tachometers vision sensors dynamic braking of DC motors linear motors and flux vector AC drives Also included is new information on popular PIC and BASIC Stamp microcontrollers plus expanded coverage of brushless DC motors and networking used in control systems

BOOK JACKET *Revue Roumaine de Physique* ,1984

This is likewise one of the factors by obtaining the soft documents of this **Chapter 7 Pwm Techniques** by online. You might not require more get older to spend to go to the books foundation as competently as search for them. In some cases, you likewise attain not discover the declaration Chapter 7 Pwm Techniques that you are looking for. It will categorically squander the time.

However below, subsequent to you visit this web page, it will be correspondingly no question simple to acquire as capably as download guide Chapter 7 Pwm Techniques

It will not recognize many mature as we accustom before. You can get it even if perform something else at home and even in your workplace. for that reason easy! So, are you question? Just exercise just what we manage to pay for under as skillfully as review **Chapter 7 Pwm Techniques** what you bearing in mind to read!

<https://py.bijouxmedusa.com/results/virtual-library/fetch.php/Genetics%20Basics%20Worksheet%202000%20Answer%20Key.pdf>

Table of Contents Chapter 7 Pwm Techniques

1. Understanding the eBook Chapter 7 Pwm Techniques
 - The Rise of Digital Reading Chapter 7 Pwm Techniques
 - Advantages of eBooks Over Traditional Books
2. Identifying Chapter 7 Pwm Techniques
 - Exploring Different Genres
 - Considering Fiction vs. Non-Fiction
 - Determining Your Reading Goals
3. Choosing the Right eBook Platform
 - Popular eBook Platforms
 - Features to Look for in an Chapter 7 Pwm Techniques
 - User-Friendly Interface

4. Exploring eBook Recommendations from Chapter 7 Pwm Techniques
 - Personalized Recommendations
 - Chapter 7 Pwm Techniques User Reviews and Ratings
 - Chapter 7 Pwm Techniques and Bestseller Lists
5. Accessing Chapter 7 Pwm Techniques Free and Paid eBooks
 - Chapter 7 Pwm Techniques Public Domain eBooks
 - Chapter 7 Pwm Techniques eBook Subscription Services
 - Chapter 7 Pwm Techniques Budget-Friendly Options
6. Navigating Chapter 7 Pwm Techniques eBook Formats
 - ePub, PDF, MOBI, and More
 - Chapter 7 Pwm Techniques Compatibility with Devices
 - Chapter 7 Pwm Techniques Enhanced eBook Features
7. Enhancing Your Reading Experience
 - Adjustable Fonts and Text Sizes of Chapter 7 Pwm Techniques
 - Highlighting and Note-Taking Chapter 7 Pwm Techniques
 - Interactive Elements Chapter 7 Pwm Techniques
8. Staying Engaged with Chapter 7 Pwm Techniques
 - Joining Online Reading Communities
 - Participating in Virtual Book Clubs
 - Following Authors and Publishers Chapter 7 Pwm Techniques
9. Balancing eBooks and Physical Books Chapter 7 Pwm Techniques
 - Benefits of a Digital Library
 - Creating a Diverse Reading Collection Chapter 7 Pwm Techniques
10. Overcoming Reading Challenges
 - Dealing with Digital Eye Strain
 - Minimizing Distractions
 - Managing Screen Time
11. Cultivating a Reading Routine Chapter 7 Pwm Techniques
 - Setting Reading Goals Chapter 7 Pwm Techniques
 - Carving Out Dedicated Reading Time

12. Sourcing Reliable Information of Chapter 7 Pwm Techniques
 - Fact-Checking eBook Content of Chapter 7 Pwm Techniques
 - Distinguishing Credible Sources
13. Promoting Lifelong Learning
 - Utilizing eBooks for Skill Development
 - Exploring Educational eBooks
14. Embracing eBook Trends
 - Integration of Multimedia Elements
 - Interactive and Gamified eBooks

Chapter 7 Pwm Techniques Introduction

In the digital age, access to information has become easier than ever before. The ability to download Chapter 7 Pwm Techniques has revolutionized the way we consume written content. Whether you are a student looking for course material, an avid reader searching for your next favorite book, or a professional seeking research papers, the option to download Chapter 7 Pwm Techniques has opened up a world of possibilities. Downloading Chapter 7 Pwm Techniques provides numerous advantages over physical copies of books and documents. Firstly, it is incredibly convenient. Gone are the days of carrying around heavy textbooks or bulky folders filled with papers. With the click of a button, you can gain immediate access to valuable resources on any device. This convenience allows for efficient studying, researching, and reading on the go. Moreover, the cost-effective nature of downloading Chapter 7 Pwm Techniques has democratized knowledge. Traditional books and academic journals can be expensive, making it difficult for individuals with limited financial resources to access information. By offering free PDF downloads, publishers and authors are enabling a wider audience to benefit from their work. This inclusivity promotes equal opportunities for learning and personal growth. There are numerous websites and platforms where individuals can download Chapter 7 Pwm Techniques. These websites range from academic databases offering research papers and journals to online libraries with an expansive collection of books from various genres. Many authors and publishers also upload their work to specific websites, granting readers access to their content without any charge. These platforms not only provide access to existing literature but also serve as an excellent platform for undiscovered authors to share their work with the world. However, it is essential to be cautious while downloading Chapter 7 Pwm Techniques. Some websites may offer pirated or illegally obtained copies of copyrighted material. Engaging in such activities not only violates copyright laws but also undermines the efforts of authors, publishers, and researchers. To ensure ethical downloading, it is advisable to utilize reputable websites that prioritize the legal distribution of content. When

downloading Chapter 7 Pwm Techniques, users should also consider the potential security risks associated with online platforms. Malicious actors may exploit vulnerabilities in unprotected websites to distribute malware or steal personal information. To protect themselves, individuals should ensure their devices have reliable antivirus software installed and validate the legitimacy of the websites they are downloading from. In conclusion, the ability to download Chapter 7 Pwm Techniques has transformed the way we access information. With the convenience, cost-effectiveness, and accessibility it offers, free PDF downloads have become a popular choice for students, researchers, and book lovers worldwide. However, it is crucial to engage in ethical downloading practices and prioritize personal security when utilizing online platforms. By doing so, individuals can make the most of the vast array of free PDF resources available and embark on a journey of continuous learning and intellectual growth.

FAQs About Chapter 7 Pwm Techniques Books

What is a Chapter 7 Pwm Techniques PDF? A PDF (Portable Document Format) is a file format developed by Adobe that preserves the layout and formatting of a document, regardless of the software, hardware, or operating system used to view or print it. **How do I create a Chapter 7 Pwm Techniques PDF?** There are several ways to create a PDF: Use software like Adobe Acrobat, Microsoft Word, or Google Docs, which often have built-in PDF creation tools. Print to PDF: Many applications and operating systems have a "Print to PDF" option that allows you to save a document as a PDF file instead of printing it on paper. Online converters: There are various online tools that can convert different file types to PDF. **How do I edit a Chapter 7 Pwm Techniques PDF?** Editing a PDF can be done with software like Adobe Acrobat, which allows direct editing of text, images, and other elements within the PDF. Some free tools, like PDFescape or Smallpdf, also offer basic editing capabilities. **How do I convert a Chapter 7 Pwm Techniques PDF to another file format?** There are multiple ways to convert a PDF to another format: Use online converters like Smallpdf, Zamzar, or Adobe Acrobats export feature to convert PDFs to formats like Word, Excel, JPEG, etc. Software like Adobe Acrobat, Microsoft Word, or other PDF editors may have options to export or save PDFs in different formats. **How do I password-protect a Chapter 7 Pwm Techniques PDF?** Most PDF editing software allows you to add password protection. In Adobe Acrobat, for instance, you can go to "File" -> "Properties" -> "Security" to set a password to restrict access or editing capabilities. Are there any free alternatives to Adobe Acrobat for working with PDFs? Yes, there are many free alternatives for working with PDFs, such as: LibreOffice: Offers PDF editing features. PDFsam: Allows splitting, merging, and editing PDFs. Foxit Reader: Provides basic PDF viewing and editing capabilities. How do I compress a PDF file? You can use online tools like Smallpdf, ILovePDF, or desktop software like Adobe Acrobat to compress PDF files without significant quality loss. Compression reduces the file size, making it easier

to share and download. Can I fill out forms in a PDF file? Yes, most PDF viewers/editors like Adobe Acrobat, Preview (on Mac), or various online tools allow you to fill out forms in PDF files by selecting text fields and entering information. Are there any restrictions when working with PDFs? Some PDFs might have restrictions set by their creator, such as password protection, editing restrictions, or print restrictions. Breaking these restrictions might require specific software or tools, which may or may not be legal depending on the circumstances and local laws.

Find Chapter 7 Pwm Techniques :

genetics basics worksheet 2000 answer key

geography notes on map reading blogspot com

god justice love beauty four little dialogues

gizmo chemical equations answers download

grade 2 unit 1 neighborhood visit answers

george whitefield the life and times of great evangelist eighteenth century revival volume i arnold a dallimore gratis boek

geotechnical engineering by v s murthy

geometry chapter 4 test answer key

getting back into place toward a renewed understanding of the place world author edward s casey published on june 2009

grade 10 exam tourism papers

great political thinkers plato present

glencoe algebra 2 study guide

getting started with geographic information systems 5th edition pearson prentice hall series in geographic information scien

great dane care guide

Chapter 7 Pwm Techniques :

pentagon extends uss gerald r ford deployment will move - Apr 14 2023

web october 17 2023 3 55 pm uss gerald r ford cvn 78 and the usns laramie t ao 203 conduct a refueling at sea in the eastern mediterranean sea oct 11 2023 us navy photo defense secretary

navydeploymenttrackerexcel intranet2 flintcooper - Jul 05 2022

web secretary of the navy secretary of the air force department of defense appropriations for fiscal year 2006 vision presence power jane s international defense review commerce business daily u s naval institute proceedings a legacy of lessons learned landstuhi regional medical center during wartime 2001 2014 air force magazine vision

us aircraft carriers what they bring to the middle east - Jul 17 2023

web oct 15 2023 october 16 2023 2 03 pm pdtupdated a day ago washington oct 15 reuters the pentagon has deployed two aircraft carriers and their supporting ships to the eastern mediterranean since the

united states navy - Dec 10 2022

web united states navy

[fleet tracker archives usni news](#) - Aug 18 2023

web these are the approximate positions of the u s navy s deployed carrier strike groups and amphibious ready groups throughout the world as of oct 2 2023 based on navy and public data in cases where a csg or arg is conducting disaggregated operations the chart reflects the location of the capital ship read more

[u s department of the navy enterprise task management solution](#) - Jan 11 2023

web share tracker is an enterprise task management solution that delivers a single easy to use system that manages tasks and all of the content records and processes associated with them it gives leaders and personnel enterprise wide visibility and transparency throughout the task lifecycle

[deployment countdown tracker by offidocs for](#) - Sep 07 2022

web deployment countdown tracker this is the template deployment countdown tracker a template that can be used by libreoffice online openoffice microsoft office suite word excel powerpoint or office 365 download this template edit with libreoffice online edit with openoffice online

enlisted record update mynavyhr - May 03 2022

web the enlisted ompf permanent personnel record is not routinely updated for all personnel actions concerning a sailor during the sailor s enlistment but is completely updated upon completion of that enlistment record documents that are filed only at the end of the enlistment reenlistment are the following milperman articles has additional

u s prepares troops for potential deployment to support israel - Mar 13 2023

web 2 days ago the u s military has selected roughly 2 000 troops to prepare for a potential deployment to support israel u s defense officials said the troops are tasked with missions like advising and

usni news fleet and marine tracker oct 10 2023 - Sep 19 2023

web oct 10 2023 destroyer squadron 2 sailors assigned to arleigh burke class guided missile destroyer uss ramage ddg 61

conduct a fresh water wash down oct 9 2023 in the mediterranean sea u s navy photo

navy deployment tracker excel uniport edu ng - Apr 02 2022

web aug 14 2023 navy deployment tracker excel 1 4 downloaded from uniport edu ng on august 14 2023 by guest navy deployment tracker excel right here we have countless ebook navy deployment tracker excel and collections to check out we additionally present variant types and with type of the books to browse the adequate book fiction

navy deployment tracker excel jetpack theaoi - Nov 09 2022

web to track pre deployment post deployment or separated from the military under any condition military deployment whether stationed in a combat zone on a ship or a

navy deployment tracker excel analytics mirowin com - Feb 12 2023

web 2 navy deployment tracker excel 2019 12 27 asia the goal of this text is to share the lessons learned by lrmc staff in converting from a peacetime to wartime footing serving as a guide for us military hospitals in similar situations in the future the innovations and solutions planned and implemented so successfully by lrmc staff

navy deployment tracker excel home rightster com - Oct 08 2022

web navy deployment tracker excel may 9th 2018 department of the air force unit deployment managers track folder reviews with military personnel unit deployment managers must review a deployment time tracker excel template openoffice org may 5th 2018 deployment time tracker excel template is an other professional

navy deployment tracker excel help environment harvard edu - Jun 04 2022

web navy deployment tracker excel thank you very much for downloading navy deployment tracker excel as you may know people have search numerous times for their favorite novels like this navy deployment tracker excel but end up in harmful downloads rather than reading a good book with a cup of tea in the afternoon instead

us marine rapid response force moving toward israel as - May 15 2023

web oct 17 2023 a us marine rapid response force is headed to the waters off the coast of israel and the pentagon is preparing american troops for a potential deployment to the country escalating the us show

home page mynavy portal - Jan 31 2022

web in order to access the private mnp cac site you will need to use a cac reader

pentagon orders second carrier strike group to region as israel - Jun 16 2023

web oct 15 2023 the pentagon has ordered a second carrier strike group to the eastern mediterranean sea and is sending air force fighter jets to the region as israel prepares to expand its gaza operations us

navy deployment tracker excel secure4 khronos - Mar 01 2022

web deploy the navy deployment tracker excel it is entirely plain then now we extend the associate to buy and create

bargains to obtain and deploy navy deployment tracker excel therefore straightforward

navy deployment tracker excel tpc redmatters com - Aug 06 2022

web naval aviation news department of defense appropriations for fiscal year 2008 link department of defense appropriations for fiscal year 2006 united states naval institute proceedings navy force structure and shipbuilding plans related with navy deployment tracker excel lemonade stand game cool math lee daniels the butler parents

production scheduler salary in singapore indeed - Jun 06 2022

web jun 8 2023 average base salary 3 455 the average salary for a production scheduler is 3 455 per month in singapore 1 6k salaries reported updated at 8 june 2023 is this useful

scheduling estimating production time a guide for garment screen - Jul 07 2022

web scheduling estimating production time a guide for garment screen printers 3 3 production scheduling in factories and industrial settings it includes industry case studies that use innovative techniques as well as academic research results that can be used to improve production scheduling its purpose is to present scheduling principles

a textile printer s guide to estimating production time screen - May 17 2023

web jan 24 2000 production time garment 0 15 0 15 0 15 0 15 0 15 0 15 setup and breakdown 12 25 40 54 70 87 calculating production times is relatively simple if you use an automatic press which should run at essentially the same speed regardless of how many colors you print

scheduling estimating production time a guide for garment screen - Mar 15 2023

web written by a recognized industry expert and production management veteran scheduling estimating production time is a step by step guide for garment printers to calculate production time and to build a schedule most screen printers are not scheduling but shuffling production instead

scheduling estimating production time a guide for garment screen - Apr 04 2022

web scheduling estimating production time a guide for garment screen printers 3 3 involved for planning and executing successful localizations john wiley sons taking a new product from the design stage to large scale production in a profitable efficient manner can challenge the processes of even the most advanced companies lapses in

scheduling estimating production time a guide for garment screen - Aug 20 2023

web scheduling estimating production time a guide for garment screen printers ecologist guide to fashion mar 26 2022 the ecologist has been setting the environmental agenda for over 40 years bringing the critical issues of our time into the mainstream through cutting edge reporting drawing on their extensive archives as well as much new

scheduling estimating production time a guide for garment screen - Mar 03 2022

web compilations in this website it will entirely ease you to see guide scheduling estimating production time a guide for

garment screen printers as you such as by searching the title publisher or authors of guide you essentially want you can discover them rapidly in the house workplace or perhaps in your

scheduling estimating production time a guide for garment screen - Sep 09 2022

web scheduling estimating production time a guide for garment screen printers 3 3 the industry cost indexes in use approaches to preparing a detailed estimate and an in depth description of the organization and function of the estimating group including csi master format and unformat codes estimating forms a list of available estimating

scheduling estimating production time a guide for garment screen - Jul 19 2023

web scheduling estimating production time a guide for garment screen printers a field guide to fabric design may 13 2020 if you have ever dreamed of showing your designs on fabric textile aficionado kim kight of popular blog true up is here to teach you how comprehensive and refreshingly straightforward this impressive volume features two

scheduling estimating production time a guide for garment screen - Oct 10 2022

web scheduling estimating production time a guide for garment screen printers 3 3 estimating and costing for the metal manufacturing industries springer science business media reliable maintenance planning estimating and schedulinggulf professional publishing victory john wiley sons taking a new product from the design stage to

scheduling estimating production time a guide for garment screen - Sep 21 2023

web scheduling estimating production time a guide for garment screen printers strategic and operational issues in production economics mar 25 2023 the papers in this volume are contributed by leading academicians and practitioners from all over the world they cover a wide variety of strategic

salary production planner in singapore singapore 2023 - May 05 2022

web nov 3 2023 sgd 11k the estimated total pay for a production planner is sgd 10 700 per month in the singapore singapore area with an average salary of sgd 3 700 per month these numbers represent the median which is the midpoint of the ranges from our proprietary total pay estimate model and based on salaries collected from our users

scheduling estimating production time a guide for garment screen - Jan 13 2023

web description of its construction this must have guide is an essential reference for anyone interested in the fashions or the history of the period or for anyone wishing to recreate their own beautiful regency clothing textile screen printing mar 18 2023 regulating style mar 26 2021 fashion knockoffs are everywhere

scheduling estimating production time a guide for garment screen - Apr 16 2023

web dec 31 2014 written by a recognized industry expert and production management veteran scheduling estimating production time is a step by step guide for garment printers to calculate production time and to build a schedule most screen printers are not scheduling but shuffling production instead

scheduling estimating production time a guide for garment screen - Jun 18 2023

web oct 14 2023 scheduling estimating production time a guide for garment screen printers the illustrated london news 1867 bulletin of the atomic scientists 1996 05 the bulletin of the atomic scientists is the premier public resource on scientific and technological developments that impact global security founded by manhattan project scientists the *scheduling estimating production time a guide for garment screen* - Feb 14 2023

web estimating production time a guide for garment screen printers a literary masterpiece that delves deep to the significance of words and their affect our lives compiled by a renowned author this captivating

production planning scheduling 32 singapore institute of - Dec 12 2022

web a good production planning and scheduling system can reap great productivity gains and operational advantages for a company in the form of a reduction in production costs higher utilization rate of resources and an increase in meeting committed delivery dates to customers by learning and implementing an advanced planning scheduling and

scheduling estimating production time a guide for garment screen printers - Nov 11 2022

web scheduling estimating production time a guide for garment screen printers is available in our digital library an online access to it is set as public so you can get it instantly our books collection hosts in multiple countries allowing you to get the most less latency time to download any of our books like this one

scheduling estimating production time a guide for garment screen - Oct 22 2023

web chapter end exercises estimating production time for textile screen printers oct 18 2023 a simple multivariate filter for estimating potential output may 01 2022 estimates of potential output are an important ingredient of structured forecasting and policy analysis

average production planner manufacturing salary in singapore payscale - Aug 08 2022

web sgd 82k the average salary for a production planner manufacturing is s 48 190 in 2023 base salary s 5k s 82k bonus s 3k s 16k total pay s 22k s 93k based on 54 salary profiles last

[bloodbasicsquizthesciencespot pdf portalpuntos bateriaswillard](#) - Dec 27 2021

web can you pass true blood questions take these quizzes and find out applied basic science for basic surgical training e book blood handbook of mutagenicity test procedures strengthening forensic science in the united states blood a very short introduction true blood trivia and quiz blood immunity and blood relationship the

[part a match each term to its best definition science spot](#) - Jun 13 2023

web 24 if suspect 4 volunteered to donate blood which blood types could receive his blood part c blood spatter 25 which of the three blood droplets shown would have been created by a wound in the lower part of the leg explain 26 if you found a blood droplet as shown below at a crime scene what does it tell you explain 27

[blood basics quiz the science spot reports budgetbakers](#) - Dec 07 2022

web blood basics quiz the science spot 6th grade science multiple choice questions and answers mcqs strengthening forensic science in the united states basic science general knowledge science quiz core clinical cases in basic biomedical science the impact of food bioactives on health 7th grade science multiple choice questions and

[blood basics quiz the science spot pdf pdf](#) - Oct 05 2022

web blood basics quiz the science spot pdf introduction blood basics quiz the science spot pdf pdf

[blood basics quiz the science spot](#) - Apr 30 2022

web blood basics quiz the science spot the blood sugar solution the ultrahealthy program for april 30th 2018 want to end blood sugar problems without drugs now there s a much better way to reverse high blood sugar even diabetes and make the pounds melt away nimh Â depression basics

[bloodbasicsquizthesciencespot full pdf try gamersupps](#) - Feb 26 2022

web blood basics quiz the science spot free pdf books here download and read online blood basics quiz the science spot pdf book file easily for everyone or every device and also you can download or readonline all file pdf book that related with blood basics quiz the science spot book happy reading blood basics quiz the science spot book

the science spot - Mar 10 2023

web 9 4 23 the science spot was developed in march 1999 by tracy tomm science teacher havana junior high havana il activities lessons worksheets available on any page of this web site are intended for use by a single teacher in his her classroom or to share at educational conferences reproduction for commercial use or profit is not

[blood basics quiz the science spot 178 128 217 59](#) - Jan 28 2022

web blood basics quiz the science spot practice quiz for blood components palomar edu the science spot blood quiz chapter 12 proprofs quiz general science quiz 1 general knowledge questions and introductory circulatory

[blood basics test quiz answer top questions medicinenet](#) - Jul 02 2022

web take our blood basics test quiz and see the doctor s answers learn about blood as well as diseases and conditions that blood test may reveal

[the science spot](#) - Aug 15 2023

web review blood basics review pdf and blood basics review key ppt quiz blood basics quiz pdf other resources for blood evidence blood typing booklet thanks to christina beatty for sharing her booklet that she uses with her students to help them understand blood typing

[forensic science blood basics](#) - Apr 11 2023

web what blood type is known as the universal recipient c complete the diagram using the class notes d complete this

statement a person with rh blood may receive blood that is or while a person with rh blood can only receive blood 7 rh rhesus factors what animal helped scientists discover rh proteins in blood

blood basics quiz the science spot 2022 ftp orioleresources - Nov 06 2022

web blood basics quiz the science spot scientific and legal applications of bloodstain pattern interpretation basic sciences for core medical training and the mrcp

blood basics quiz the science spot - Jul 14 2023

web kindly say the blood basics quiz the science spot is universally compatible with any devices to read science the endless frontier vannevar bush 2021 02 02 the classic case for why government must support science with a new essay by physicist and former congressman rush holt on what democracy needs from science today science the

blood basics quiz the science spot pdf thyroidccc - Sep 04 2022

web blood basics quiz the science spot 1 blood basics quiz the science spot yeah reviewing a book blood basics quiz the science spot could ensue your close connections listings this is just one of the solutions for you to be successful as understood feat does not recommend that you have astonishing points

blood basics quiz the science spot - Feb 09 2023

web blood basics quiz the science spot recognizing the habit ways to get this book blood basics quiz the science spot is additionally useful you have remained in right site to start getting this info get the blood basics quiz the science spot colleague that we have the funds for here and check out the link

blood basics quiz the science spot download only - Mar 30 2022

web to look guide blood basics quiz the science spot as you such as by searching the title publisher or authors of guide you in point of fact want you can discover them rapidly in the house workplace or perhaps in your method can be all best area within net

blood basics quiz the science spot copy kelliemay - Aug 03 2022

web nov 24 2022 blood basics quiz the science spot 1 1 downloaded from kelliemay com on november 24 2022 by guest blood basics quiz the science spot if you ally craving such a referred blood basics quiz the science spot ebook that will meet the expense of you worth get the definitely best seller from us currently from several preferred authors

blood basics quiz the science spot pdf 2023 features kualumni - Jan 08 2023

web introduction blood basics quiz the science spot pdf 2023 mcgraw hill s 10 act practice tests second edition steven w dulan 2008 07 01 we want to give you the practice you need on the act mcgraw hill s 10 act practice tests helps you gauge what the test measures how it s structured and how to budget your time in

the science spot forensic science lesson plans - Jun 01 2022

web bluter basics bloodstain science map pdf this two sided handout goes equal one blood basics blood typing blood spatter lecture it does not include the lab sheets you will need to print those out separately

blood basics review name science spot - May 12 2023

web 21 identify the blood type of each sample given the test results clumping no clumping if suspect 1 were injured during the crime and needed blood what blood types could he receive if suspect 2 volunteered to donate blood which blood types could receive his blood 22