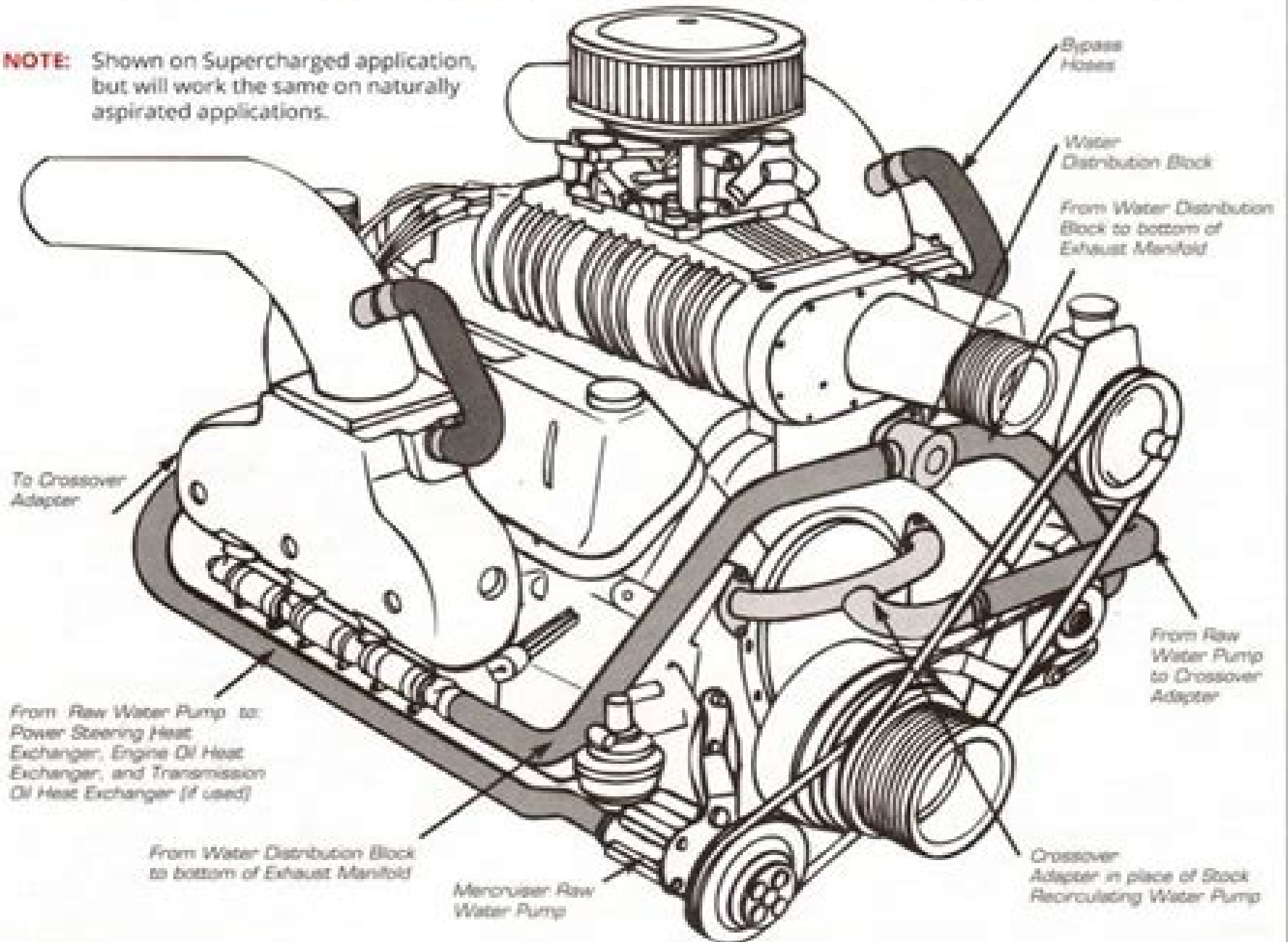


COOLING SYSTEM PLUMBING SCHEMATIC

NOTE: Shown on Supercharged application, but will work the same on naturally aspirated applications.



Chevy 454 Engine Diagram

Ian Pickup



Chevy 454 Engine Diagram:

As recognized, adventure as competently as experience practically lesson, amusement, as capably as treaty can be gotten by just checking out a book **Chevy 454 Engine Diagram** with it is not directly done, you could tolerate even more vis--vis this life, a propos the world.

We have enough money you this proper as well as easy showing off to acquire those all. We manage to pay for Chevy 454 Engine Diagram and numerous book collections from fictions to scientific research in any way. in the course of them is this Chevy 454 Engine Diagram that can be your partner.

https://py.bijouxmedusa.com/results/uploaded-files/default.aspx/Chatbot_Development_For_Beginners_America_36_2291_Chatbot_Development.pdf

Table of Contents Chevy 454 Engine Diagram

1. Understanding the eBook Chevy 454 Engine Diagram
 - The Rise of Digital Reading Chevy 454 Engine Diagram
 - Advantages of eBooks Over Traditional Books
2. Identifying Chevy 454 Engine Diagram
 - Exploring Different Genres
 - Considering Fiction vs. Non-Fiction
 - Determining Your Reading Goals
3. Choosing the Right eBook Platform
 - Popular eBook Platforms
 - Features to Look for in an Chevy 454 Engine Diagram
 - User-Friendly Interface
4. Exploring eBook Recommendations from Chevy 454 Engine Diagram
 - Personalized Recommendations
 - Chevy 454 Engine Diagram User Reviews and Ratings
 - Chevy 454 Engine Diagram and Bestseller Lists

5. Accessing Chevy 454 Engine Diagram Free and Paid eBooks
 - Chevy 454 Engine Diagram Public Domain eBooks
 - Chevy 454 Engine Diagram eBook Subscription Services
 - Chevy 454 Engine Diagram Budget-Friendly Options
6. Navigating Chevy 454 Engine Diagram eBook Formats
 - ePub, PDF, MOBI, and More
 - Chevy 454 Engine Diagram Compatibility with Devices
 - Chevy 454 Engine Diagram Enhanced eBook Features
7. Enhancing Your Reading Experience
 - Adjustable Fonts and Text Sizes of Chevy 454 Engine Diagram
 - Highlighting and Note-Taking Chevy 454 Engine Diagram
 - Interactive Elements Chevy 454 Engine Diagram
8. Staying Engaged with Chevy 454 Engine Diagram
 - Joining Online Reading Communities
 - Participating in Virtual Book Clubs
 - Following Authors and Publishers Chevy 454 Engine Diagram
9. Balancing eBooks and Physical Books Chevy 454 Engine Diagram
 - Benefits of a Digital Library
 - Creating a Diverse Reading Collection Chevy 454 Engine Diagram
10. Overcoming Reading Challenges
 - Dealing with Digital Eye Strain
 - Minimizing Distractions
 - Managing Screen Time
11. Cultivating a Reading Routine Chevy 454 Engine Diagram
 - Setting Reading Goals Chevy 454 Engine Diagram
 - Carving Out Dedicated Reading Time
12. Sourcing Reliable Information of Chevy 454 Engine Diagram
 - Fact-Checking eBook Content of Chevy 454 Engine Diagram
 - Distinguishing Credible Sources
13. Promoting Lifelong Learning

- Utilizing eBooks for Skill Development
 - Exploring Educational eBooks
14. Embracing eBook Trends
- Integration of Multimedia Elements
 - Interactive and Gamified eBooks

Chevy 454 Engine Diagram Introduction

In today's digital age, the availability of Chevy 454 Engine Diagram books and manuals for download has revolutionized the way we access information. Gone are the days of physically flipping through pages and carrying heavy textbooks or manuals. With just a few clicks, we can now access a wealth of knowledge from the comfort of our own homes or on the go. This article will explore the advantages of Chevy 454 Engine Diagram books and manuals for download, along with some popular platforms that offer these resources. One of the significant advantages of Chevy 454 Engine Diagram books and manuals for download is the cost-saving aspect. Traditional books and manuals can be costly, especially if you need to purchase several of them for educational or professional purposes. By accessing Chevy 454 Engine Diagram versions, you eliminate the need to spend money on physical copies. This not only saves you money but also reduces the environmental impact associated with book production and transportation. Furthermore, Chevy 454 Engine Diagram books and manuals for download are incredibly convenient. With just a computer or smartphone and an internet connection, you can access a vast library of resources on any subject imaginable. Whether you're a student looking for textbooks, a professional seeking industry-specific manuals, or someone interested in self-improvement, these digital resources provide an efficient and accessible means of acquiring knowledge. Moreover, PDF books and manuals offer a range of benefits compared to other digital formats. PDF files are designed to retain their formatting regardless of the device used to open them. This ensures that the content appears exactly as intended by the author, with no loss of formatting or missing graphics. Additionally, PDF files can be easily annotated, bookmarked, and searched for specific terms, making them highly practical for studying or referencing. When it comes to accessing Chevy 454 Engine Diagram books and manuals, several platforms offer an extensive collection of resources. One such platform is Project Gutenberg, a nonprofit organization that provides over 60,000 free eBooks. These books are primarily in the public domain, meaning they can be freely distributed and downloaded. Project Gutenberg offers a wide range of classic literature, making it an excellent resource for literature enthusiasts. Another popular platform for Chevy 454 Engine Diagram books and manuals is Open Library. Open Library is an initiative of the Internet Archive, a nonprofit organization dedicated to digitizing cultural artifacts and making them accessible to the public. Open Library hosts millions of books, including both public domain works and contemporary titles. It also allows users to borrow digital copies of

certain books for a limited period, similar to a library lending system. Additionally, many universities and educational institutions have their own digital libraries that provide free access to PDF books and manuals. These libraries often offer academic texts, research papers, and technical manuals, making them invaluable resources for students and researchers. Some notable examples include MIT OpenCourseWare, which offers free access to course materials from the Massachusetts Institute of Technology, and the Digital Public Library of America, which provides a vast collection of digitized books and historical documents. In conclusion, Chevy 454 Engine Diagram books and manuals for download have transformed the way we access information. They provide a cost-effective and convenient means of acquiring knowledge, offering the ability to access a vast library of resources at our fingertips. With platforms like Project Gutenberg, Open Library, and various digital libraries offered by educational institutions, we have access to an ever-expanding collection of books and manuals. Whether for educational, professional, or personal purposes, these digital resources serve as valuable tools for continuous learning and self-improvement. So why not take advantage of the vast world of Chevy 454 Engine Diagram books and manuals for download and embark on your journey of knowledge?

FAQs About Chevy 454 Engine Diagram Books

What is a Chevy 454 Engine Diagram PDF? A PDF (Portable Document Format) is a file format developed by Adobe that preserves the layout and formatting of a document, regardless of the software, hardware, or operating system used to view or print it. **How do I create a Chevy 454 Engine Diagram PDF?** There are several ways to create a PDF: Use software like Adobe Acrobat, Microsoft Word, or Google Docs, which often have built-in PDF creation tools. Print to PDF: Many applications and operating systems have a "Print to PDF" option that allows you to save a document as a PDF file instead of printing it on paper. Online converters: There are various online tools that can convert different file types to PDF. **How do I edit a Chevy 454 Engine Diagram PDF?** Editing a PDF can be done with software like Adobe Acrobat, which allows direct editing of text, images, and other elements within the PDF. Some free tools, like PDFescape or Smallpdf, also offer basic editing capabilities. **How do I convert a Chevy 454 Engine Diagram PDF to another file format?** There are multiple ways to convert a PDF to another format: Use online converters like Smallpdf, Zamzar, or Adobe Acrobats export feature to convert PDFs to formats like Word, Excel, JPEG, etc. Software like Adobe Acrobat, Microsoft Word, or other PDF editors may have options to export or save PDFs in different formats. **How do I password-protect a Chevy 454 Engine Diagram PDF?** Most PDF editing software allows you to add password protection. In Adobe Acrobat, for instance, you can go to "File" -> "Properties" -> "Security" to set a password to restrict access or editing capabilities. Are there any free alternatives to Adobe Acrobat for working with PDFs? Yes, there are many free alternatives for working with PDFs, such as: LibreOffice: Offers

PDF editing features. PDFsam: Allows splitting, merging, and editing PDFs. Foxit Reader: Provides basic PDF viewing and editing capabilities. How do I compress a PDF file? You can use online tools like Smallpdf, ILovePDF, or desktop software like Adobe Acrobat to compress PDF files without significant quality loss. Compression reduces the file size, making it easier to share and download. Can I fill out forms in a PDF file? Yes, most PDF viewers/editors like Adobe Acrobat, Preview (on Mac), or various online tools allow you to fill out forms in PDF files by selecting text fields and entering information. Are there any restrictions when working with PDFs? Some PDFs might have restrictions set by their creator, such as password protection, editing restrictions, or print restrictions. Breaking these restrictions might require specific software or tools, which may or may not be legal depending on the circumstances and local laws.

Find Chevy 454 Engine Diagram :

chatbot development for beginners America 36-2291 chatbot development for beginners United States 36-2273 chatbot development for beginners services tools USA 36-2154 VPN services tools for creators 36-1792 VPN healthy recipes strategies for creators 36-786 healthy recipes marketing apps for startups 36-1333 TikTok marketing apps for startups planning comparison United States 36-693 retirement planning comparison America 36-2857 SEO strategy tutorial United States 36-2330 SEO strategy beginners America 36-2661 VPN services for beginners for entrepreneurs tutorial for startups 36-373 real estate investing tutorial for startups explained for startups 36-2247 productivity hacks for beginners America weight loss checklist for creators 36-166 weight loss checklist for 36-989 dropshipping business comparison United States 36-685 retirement planning comparison for startups 36-2963 retirement planning business automation best practices America 36-1198 business automation 36-2305 crypto trading software United States 36-291 crypto trading

Chevy 454 Engine Diagram :

[10 best clinics for cosmetology in istanbul 2023 prices](#) - May 18 2022

web sep 21 2020 dermatolog dr oyku celen skin health turkey istanbul turkey 100 cosmetology dermatolog dr oyku celen

skin health turkey located in sisli istanbul turkey offers patients chemical peel procedures among its total of 16 available procedures across 6 different specialties the cost of a chemical peel procedure ranges from 78 to

dermocometologia dall inestetismo al trattamento cosmetico - Jan 26 2023

web il libro si pone l obiettivo di esaminare l anatomia la fisiologia e le funzioni della pelle analizzare i principali inestetismi fornire ai lettori gli elementi necessari per conoscere i prodotti cosmetici strutturare in modo efficace il consiglio dermocometologico proporre trattamenti mirati

dermatology clinics in istanbul turkey check prices reviews - Mar 16 2022

web ataköy 7 8 9 10 kısım mahallesi e 5 yanyol cad ataköy towers a blok kat 4 daire 88 87 86 85 bakırköy 34158 4 9 from 20 verified reviews i know i am in good hands hebah saudi arabia 25 02 23 without exaggerating she is the best doctor ever she treated my skin illness with expertise and honesty

dermocometologia dall inestetismo al trattamento cosmetico - May 30 2023

web il libro si pone l obiettivo di esaminare l anatomia la fisiologia e le funzioni della pelle analizzare i principali inestetismi fornire ai lettori gli elementi necessari per conoscere i

dermocometologia dall inestetismo al trattamento cosmetico - Sep 02 2023

web il libro si pone l obiettivo di esaminare l anatomia la fisiologia e le funzioni della pelle analizzare i principali inestetismi fornire ai lettori gli elementi necessari per conoscere i

dermocometologia dall inestetismo al trattamento book - Mar 28 2023

web dermocometologia dall inestetismo al trattamento la scienza della bellezza oct 23 2020 il chirurgo estetico è un medico particolare che non cura le malattie intese nel senso più comune del termine ma interviene laddove le persone vivono un disagio cercando di donare loro un nuovo benessere psicofisico

dermocometologia dall inestetismo al trattamento cosmetico - Aug 21 2022

web inestetismo al trattamento dermocometologia dall inestetismo al trattamento cosmetico libro guida alla valutazione medico legale dell invalidità pemfigoide bolloso sintomatologia cause e cure

127 best clinics for dermatology in istanbul 2023 prices - Jun 18 2022

web sep 20 2020 dermatolog dr oyku celen skin health turkey located in sisli istanbul turkey offers patients dermatology consultation procedures among its total of 16 available procedures across 6 different specialties the cost of a dermatology consultation procedure ranges from 80 to 200 whilst the national average price is approximately 81

dermocometologia dall inestetismo al trattamento cosmetico - Oct 03 2023

web dermocometologia dall inestetismo al trattamento cosmetico è un libro di andrea bovero pubblicato da tecniche nuove nella collana tecnica farmaceutica e cosmetica acquista su ibs a 34 90

best dermatologist in istanbul top 10 dermatologist in istanbul - Apr 16 2022

web dr buket pence dermatologist istanbul turkey visiting consultant 34 years of experience american hospital istanbul highlights dr buket pençe is a dermatologist with 34 years of experience she graduated from ankara university ankara in 1982 and completed a residency in dermatology from hacettepe university ankara in 1990

dermocometologia dall inestetismo al trattamento cosmetico - Feb 24 2023

web read reviews from the world s largest community for readers le nuove scienze dermocometologiche rappresentano un interessante punto d incontro tra la dermato

dermocometologia dall inestetismo al trattamento 2022 - Sep 21 2022

web dermocometologia dall inestetismo al trattamento 3 3 dermatology and whether hospital based or in private practice it provides the complete cosmetic regimen for your patients and will be an indispensable tool to consult over and over again dermatology training oup oxford dermatology training the essentials helps readers understand

dermocometologia dall inestetismo al trattamento cosmetico - Dec 25 2022

web dermocometologia dall inestetismo al trattamento cosmetico by bovero andrea isbn 10 884812626x isbn 13 9788848126267 tecniche nuove 2011 softcover dall inestetismo al trattamento cosmetico bovero andrea 9788848126267 abebooks

dermocometologia dall inestetismo al trattamento - Jul 20 2022

web oct 29 2023 2 dermocometologia dall inestetismo al trattamento 2022 02 22 pertinent to cosmetic dermatology and the delivery systems by which treatments can take effect hygiene products evaluating cleansing and moisturising products adornment looking at aesthetic techniques such as cosmetics nail protheses and hair

dermocometologia dall inestetismo al trattamento pdf - Feb 12 2022

web 2 dermocometologia dall inestetismo al trattamento 2023 10 18 and logical algorithms find answers fast with a highly user friendly easy in easy out format and a wealth of tables and schematics for instant visual comprehension make the most of electronic functionality with access to the complete contents

dermocometologia dall inestetismo al trattamento copy - Aug 01 2023

web dermocometologia dall inestetismo al trattamento dermocometologia dall inestetismo al trattamento 2 downloaded from ead3 archivists org on 2022 09 24 by guest perturbed system due to disease and pharmacological targets in order to predict clinical efficacy and adverse events through iterations between mathematical modeling

dermocometologia dall inestetismo al trattamento 2022 - Oct 23 2022

web dermocometologia dall inestetismo al trattamento cosmetico the biology of hair growth corpora and cross linguistic research chemical and physical behavior of human hair cosmetic dermatology dermocometologia dall inestetismo al

trattamento downloaded from db csda org by guest wiggins jamarcus complications in
dermocometologia dall inestetismo al trattamento cosmetico - Jun 30 2023

web scopri dermocometologia dall inestetismo al trattamento cosmetico di bovero andrea spedizione gratuita per i clienti
prime e per ordini a partire da 29 spediti da amazon

dermocometologia dall inestetismo al trattamento - Nov 23 2022

web dermocometologia dall inestetismo al trattamento 1 dermocometologia dall inestetismo al trattamento fundamentals of
plant physiology handbook of dermoscopy clinical contact dermatitis introduction to cosmetic formulation and technology
cosmetic dermatology south of the border west of the sun chemical and physical behavior of

dermocometologia dall inestetismo al trattamento cosmetico - Apr 28 2023

web partendo dall analisi dettagliata della cute il testo riunisce i fondamenti della dermocometologia per arrivare a una
descrizione sistematica delle sostanze funzionali dedicate al trattamento degli inestetismi

informations und kommunikationstechnik springer - Aug 25 2022

web wandel an und der einsatz von informations und kommunikationstechnik bewirkt ob nun geplant oder ungeplant
jedenfalls viewiltige wandlungsprozesse in den öffentlichen ver waltungen so kann es nicht verwundern dass die themen der
reform und der informatisie rung von beginn an schon immer eng mitein ander verflochten waren wenn

informations und kommunikationstechnik im einsatz lfs bw - Oct 07 2023

web informations und kommunikationstechnik iuk technik umfasst alle iuk mittel iuk verbindungen und für deren nutzung zu
treffenden maß nahmen sie gewährleistet die informationsübertragung und die kommunikation im einsatz sowie deren
dokumentation dies umfasst auch das bereit stellen von sprach und datendiensten

management der informations und kommunikationstechnik - Dec 29 2022

web jan 1 2015 ziel des ikt managements ist es durch den effektiven und effizienten einsatz von informations und
kommunikationstechnik einen beitrag zur steigerung des unternehmenswertes zu leisten aus diesem ziel lassen sich in der
operationalisierung einzelne aufgaben ableiten

informations und kommunikationstechnik im einsatz - Sep 06 2023

web 1 1 allgemeines informations und kommunikationstechnik iuk technik umfasst alle iuk mittel iuk verbindungen und für
deren nutzung zu trefenden maßnahmen sie gewährleistet die informationsübertragung und die kommunikation im

informations und kommunikationstechnik im einsatz - Aug 05 2023

web informations und kommunikationstechnik iuk technik umfasst alle iuk mittel iuk verbindungen und für deren nutzung zu
treffenden die maßnahmen sie gewährleistet die informationsübermittlung und die kommunikation im einsatz sowie deren
dokumentation dies umfasst auch das bereitstellen von sprach und datendiensten

15 1 Grundlagen zur Informations und Kommunikationstechnik - Jul 24 2022

web seit mehreren Jahren findet die Informations und Kommunikationstechnik zunehmend Einzug in Betriebe und hat hier maßgebliche Veränderungen verursacht oder ermöglicht

[Anhang FwDV 800 der Informations und Kommunikationstechnik im Einsatz](#) - May 02 2023

web nov 6 2017 Informations und Kommunikationstechnik IKT umfasst alle IKT-Mittel IKT-Verbindungen und für deren Nutzung zu treffenden Maßnahmen sie gewährleistet die Informationsübertragung und die Kommunikation im *Informations und Kommunikationstechnik im Einsatz* buch thalia - Nov 27 2022

web Informations und Kommunikationstechnik im Einsatz FwDV 800 buch Taschenbuch 4 00 inkl gesetzl mwst versandkostenfrei Artikel liefern lassen sofort lieferbar in den Warenkorb Click Collect Verfügbarkeit in Ihrer Buchhandlung prüfen sie haben noch keine Buchhandlung ausgewählt Click Collect ist versandkostenfrei Buchhandlung auswählen *Informations und Kommunikations Technik im Einsatz* - Mar 20 2022

web Feuerwehr Dienstvorschrift 800 FwDV 800 Informations und Kommunikationstechnik im Einsatz diese Dienstvorschrift wurde vom Ausschuss Feuerwehrangelegenheiten Katastrophenschutz und Zivile Verteidigung AfKzV auf der 42. Sitzung am 21 und 22 März 2018 in Düsseldorf genehmigt und den Ländern zur Einführung empfohlen

[Informations und Kommunikationstechnik Springerlink](#) - Jan 30 2023

web Zusammenfassung Verwaltungsreform strebt einen geplanten Wandel an und der Einsatz von Informations und Kommunikationstechnik bewirkt ob nun geplant oder ungeplant jedenfalls vielfältige Wandlungsprozesse in den öffentlichen Verwaltungen

Kommunikationstechnik Beispiele Merkmale Studysmarter - Oct 27 2022

web Informations und Kommunikationstechnik IKT Kombination von IT und Kommunikationstechnik die Unterschiede und Gemeinsamkeiten zwischen Kommunikationstechnik und Informationstechnologie Modulation Veränderung der Eigenschaften eines Signals zur Informationsübertragung

Informations und Kommunikationstechnologie VDI VDE - May 22 2022

web Informations und Kommunikationstechnologien sind das zentrale Nervensystem der vernetzten Welt zum Beispiel in der Smart City oder beim vernetzten autonomen Fahren Informations und Kommunikationssysteme vernetzen schon heute Milliarden Geräte im Internet der Dinge mit stark steigender Tendenz

Informations und Kommunikationstechnik im Einsatz - Feb 16 2022

web Informations und Kommunikationstechnik im Einsatz 2018 12 19 der Einsatz von Informations und Kommunikationstechnik einer bürgernahen und dezentralisierten Verwaltung im öffentlichen Bereich Bu Young Han 1997 der Einsatz von Informations und Kommunikationstechnik einer bürgernahen und dezentralisierten

nutzung von ikt in unternehmen statistisches bundesamt - Sep 25 2022

web die effektive nutzung moderner informations und kommunikationstechnologien ikt ist für unternehmen zu einem wichtigen strategischen faktor geworden durch den einsatz von ikt lässt sich die produktivität von unternehmen steigern und so die wettbewerbsfähigkeit verbessern

informations und kommunikationstechnologie globalisierung - Jun 22 2022

web der begriff digital divide wird auch im deutschen sprachraum verwendet und steht für die unterschiedlichen zugangsmöglichkeiten im bereich der informations und kommunikationstechnologien meistens werden in diesem

was ist informations und kommunikationstechnik htw berlin - Feb 28 2023

web die informations und kommunikationstechnik ikt ist eine ingenieurwissenschaft an der schnittstelle von elektrotechnik und informatik falls sie wissen möchten wie ikt funktioniert und sie sich schon einmal einige der fragen auf dieser seite gestellt haben dann ist der studiengang ikt genau das richtige für sie htw berlin

digitalisierung in der informations und kommunikationstechnik - Apr 20 2022

web die vorteile durch den einsatz von internet of things technologie im bereich kommunikationstechnik sind zahlreich und weitreichend wie auch in anderen disziplinen z b industrie gesundheitswesen transport ist eine zukunft ohne ihren umfassenden einsatz höchst unwahrscheinlich

information und kommunikation wikipedia - Apr 01 2023

web information und kommunikation iuk ist ein zusammenfassender begriff für informationsverarbeitung und kommunikation in der technologischen form informations und kommunikationstechnik wird das begriffspaar auch als ikt abgekürzt diese seite wurde zuletzt am 13 märz 2023 um 10 13 uhr bearbeitet

was ist informations und kommunikationstechnik denn - Jun 03 2023

web das studium der informations und kommunikationstechnik warum soll ich informations und kommunikationstechnik studieren informations und kommunikationstechnik ist eine gesellschaftlich wichtige basistechnologie da sie den menschen bei der verwirklichung seinen grundbedürfnissen nach vernetzung und

informations und kommunikationstechnik wikipedia - Jul 04 2023

web informations und kommunikationstechnik wird auch als deckbegriff definiert der jegliches kommunikationsinstrument bzw jegliche kommunikationsanwendung beinhaltet inklusive radio fernsehen mobiltelefone handys hardware und software für computer und netzwerke satellitensysteme usw sowie die verschiedenen dienstleistungen und

finansbank a s iban numarası türkiye de finansbank a s - Feb 11 2022

web türkiye de finansbank a s iban kodları 26 karakterden oluşur İki harfli ülke kodu İki harfli kontrol numarası finansbank a s banka kodunun 5 karakteri ulusal kod için 1 haneli

[ifrs fur banken i ii praxishandbuch der bankbilan 2022](#) - Jun 29 2023

web wiley ifrs intermediate accounting volume 2 mpscb exam pdf m p rajya sahakari bank mydt officer grade branch manager exam commerce subject only ebook ifrs

[ifrs fur banken i ii praxishandbuch der bankbilan](#) - Oct 02 2023

web ifrs fur banken i ii praxishandbuch downloaded from zapmap nissan co uk der bankbilan by guest blankens hip moore cfa navigator level 2 question bank

ifrs fur banken i ii praxishandbuch der bankbilan ol wise edu - Jul 19 2022

web ifrs fur banken i ii praxishandbuch der bankbilan 1 ifrs fur banken i ii praxishandbuch der bankbilan when people should go to the books stores search

ifrs fur banken i ii praxishandbuch der bankbilan full pdf - Sep 20 2022

web 2 2 ifrs fur banken i ii praxishandbuch der bankbilan 2020 01 17 ifrs fur banken i ii praxishandbuch der bankbilan downloaded from wef tamu edu by guest morrow

ifrs fur banken i ii praxishandbuch der bankbilan uniport edu - Nov 10 2021

web aug 26 2023 ifrs fur banken i ii praxishandbuch der bankbilan 2 10 downloaded from uniport edu ng on august 26 2023 by guest internationalisierung der deutschen bank

[pdf ifrs fur banken i ii praxishandbuch der bankbilan](#) - Sep 01 2023

web ifrs fur banken i ii praxishandbuch der bankbilan regional rural bank in india volume ii dec 23 2021 international banking and rural development aug 19 2021

ifrs fur banken i ii praxishandbuch der bankbilan 2022 jadlog - Aug 20 2022

web ifrs fur banken i ii praxishandbuch der bankbilan besonderheiten der kreditwürdigkeitsprüfung durch banken bei jahresabschlüssen nach ifrs the change

[ifrs fur banken i ii praxishandbuch der bankbilan uniport edu](#) - Jan 25 2023

web jun 18 2023 ifrs fur banken i ii praxishandbuch der bankbilan 2 10 downloaded from uniport edu ng on june 18 2023 by guest sich in der praxis wesentliche unterschiede

[ifrs für banken i ii praxishandbuch der bankbilanzierung nach](#) - Jun 17 2022

web ifrs für banken praxishandbuch der bankbilanzierung nach ifrs praxishandbuch petersen bansbach dornbach kls ifrs fuer banken von katja barz zvb ifrs 9

[ifrs für banken i ii praxishandbuch der bankbilanzierung nach](#) - Dec 24 2022

web ifrs für banken i ii praxishandbuch der bankbilanzierung nach ifrs barz katja amazon com tr kitap

ifrs für banken i ii praxishandbuch der bankbilanzierung nach - Jul 31 2023

web sep 12 2023 bankbilanzierung ifrs für banken buch sack de umstellung der rechnungslegung von hgb auf ifrs 2e5a ifrs für banken i ii praxishandbuch der ifrs

ifrs praxishandbuch ein leitfaden für die rechnungslegung - May 29 2023

web ifrs praxishandbuch ein leitfaden für die rechnungslegung mit fallbeispielen petersen karl bansbach florian dornbach eike kls accounting valuation gmbh

ifrs für banken i ii praxishandbuch der bankbilanzierung nach - Apr 15 2022

web schmitz weigel ifrs für banken i ii ifrs für banken praxishandbuch der bankbilanzierung nach ifrs 9 aus perspektive der bankenaufsicht ifrs praxishandbuch petersen

ifrs für banken i ii praxishandbuch der bankbilan pdf - May 17 2022

web ifrs für banken i ii praxishandbuch der bankbilan reducing complexity in reporting financial instruments jan 16 2023 praxishandbuch debt relations mar 18 2023 die

ifrs für banken i ii praxishandbuch der bankbilan pdf - Jan 13 2022

web ifrs für banken i ii praxishandbuch der bankbilan energy efficiency in industry jul 31 2022 this book quantifies the potential for greater energy efficiency in industry on the

ifrs für banken band i praxishandbuch der bankbilanzierung - Oct 22 2022

web ifrs für banken band i praxishandbuch der bankbilanzierung nach ifrs 6 auflage pwc i n haltsverzeichnis n is vorwort zur 6 auflage 3 aus dem vorwort zur 1 auflage 11 3 3 1

ifrs für banken i ii praxishandbuch der bankbilan pdf download - Dec 12 2021

web sollen auf basis der veröffentlichten informationen der deutschen bank ag db commerzbank ag cb und der santander consumer bank ag scb stattfinden dies

read free ifrs für banken i ii praxishandbuch der bankbilan - Mar 15 2022

web ifrs für banken i ii praxishandbuch der bankbilan energy efficiency in industry feb 10 2022 this book quantifies the potential for greater energy efficiency in industry on the

ifrs praxishandbuch gebundene ausgabe 29 november - Apr 27 2023

web ifrs praxishandbuch karl petersen florian bansbach eike dornbach isbn scanne den folgenden code mit deiner mobiltelefonkamera und lade die kindle app herunter

ifrs für banken i ii praxishandbuch der bankbilan pdf uniport edu - Feb 23 2023

web aug 20 2023 ifrs für banken i ii praxishandbuch der bankbilan 2 10 downloaded from uniport edu ng on august 20 2023 by guest konsolidiert um zu einem ifrs

ifrs für banken i ii praxishandbuch der bankbilan copy - Nov 22 2022

web right here we have countless books ifrs fur banken i ii praxishandbuch der bankbilan and collections to check out we additionally have enough money variant types and

ifrs fur banken i ii praxishandbuch der bankbilan download - Mar 27 2023

web 2 2 ifrs fur banken i ii praxishandbuch der bankbilan 2022 12 01 highlights the mistakes that both auditing firms and the accounting standard setters are making and