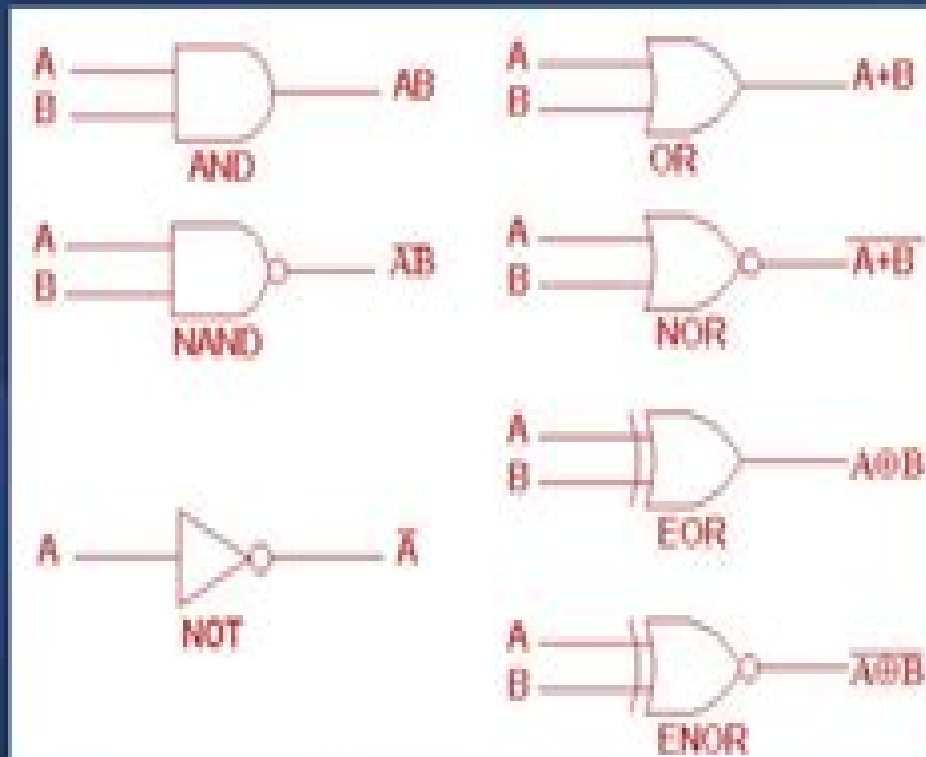


System Verilog Tutorial

Combinational Logic Design



```
// Code your design here
timescale 1ns/1ns
module gates(a, b, and, andn, nand, nor, xor, norx, xnor);
input logic a, b;
output reg and, andn, nand, nor, xor, norx, xnor;

always @(*) begin
    and = (a & b);
    display("and logical operator");

    andn = (a & !b);
    display("and logical operator");

    nand = ~(a & b);
    display("nand logical operator");

    nor = ~(a | b);
    display("nor logical operator");

    xor = (a ^ b);
    display("xor logical operator");

    norx = ((!a) & b) | (a & !b);
    display("nor logical operator");

    xnor = ((a & b) | (!a & !b));
    display("xnor logical operator");
end
endmodule
```

Combinational Logic Design With Verilog

Yi-Tong Ma



Combinational Logic Design With Verilog:

Discover tales of courage and bravery in its empowering ebook, **Combinational Logic Design With Verilog** . In a downloadable PDF format (Download in PDF: *), this collection inspires and motivates. Download now to witness the indomitable spirit of those who dared to be brave.

https://py.bijouxmedusa.com/files/book-search/Download_PDFS/marketing_trends_usa_32_1068_affiliate_marketing_tutorial_america.pdf

Table of Contents Combinational Logic Design With Verilog

1. Understanding the eBook Combinational Logic Design With Verilog
 - The Rise of Digital Reading Combinational Logic Design With Verilog
 - Advantages of eBooks Over Traditional Books
2. Identifying Combinational Logic Design With Verilog
 - Exploring Different Genres
 - Considering Fiction vs. Non-Fiction
 - Determining Your Reading Goals
3. Choosing the Right eBook Platform
 - Popular eBook Platforms
 - Features to Look for in an Combinational Logic Design With Verilog
 - User-Friendly Interface
4. Exploring eBook Recommendations from Combinational Logic Design With Verilog
 - Personalized Recommendations
 - Combinational Logic Design With Verilog User Reviews and Ratings
 - Combinational Logic Design With Verilog and Bestseller Lists
5. Accessing Combinational Logic Design With Verilog Free and Paid eBooks
 - Combinational Logic Design With Verilog Public Domain eBooks
 - Combinational Logic Design With Verilog eBook Subscription Services
 - Combinational Logic Design With Verilog Budget-Friendly Options

6. Navigating Combinational Logic Design With Verilog eBook Formats
 - ePub, PDF, MOBI, and More
 - Combinational Logic Design With Verilog Compatibility with Devices
 - Combinational Logic Design With Verilog Enhanced eBook Features
7. Enhancing Your Reading Experience
 - Adjustable Fonts and Text Sizes of Combinational Logic Design With Verilog
 - Highlighting and Note-Taking Combinational Logic Design With Verilog
 - Interactive Elements Combinational Logic Design With Verilog
8. Staying Engaged with Combinational Logic Design With Verilog
 - Joining Online Reading Communities
 - Participating in Virtual Book Clubs
 - Following Authors and Publishers Combinational Logic Design With Verilog
9. Balancing eBooks and Physical Books Combinational Logic Design With Verilog
 - Benefits of a Digital Library
 - Creating a Diverse Reading Collection Combinational Logic Design With Verilog
10. Overcoming Reading Challenges
 - Dealing with Digital Eye Strain
 - Minimizing Distractions
 - Managing Screen Time
11. Cultivating a Reading Routine Combinational Logic Design With Verilog
 - Setting Reading Goals Combinational Logic Design With Verilog
 - Carving Out Dedicated Reading Time
12. Sourcing Reliable Information of Combinational Logic Design With Verilog
 - Fact-Checking eBook Content of Combinational Logic Design With Verilog
 - Distinguishing Credible Sources
13. Promoting Lifelong Learning
 - Utilizing eBooks for Skill Development
 - Exploring Educational eBooks
14. Embracing eBook Trends
 - Integration of Multimedia Elements

- Interactive and Gamified eBooks

Combinational Logic Design With Verilog Introduction

In the digital age, access to information has become easier than ever before. The ability to download Combinational Logic Design With Verilog has revolutionized the way we consume written content. Whether you are a student looking for course material, an avid reader searching for your next favorite book, or a professional seeking research papers, the option to download Combinational Logic Design With Verilog has opened up a world of possibilities. Downloading Combinational Logic Design With Verilog provides numerous advantages over physical copies of books and documents. Firstly, it is incredibly convenient. Gone are the days of carrying around heavy textbooks or bulky folders filled with papers. With the click of a button, you can gain immediate access to valuable resources on any device. This convenience allows for efficient studying, researching, and reading on the go. Moreover, the cost-effective nature of downloading Combinational Logic Design With Verilog has democratized knowledge. Traditional books and academic journals can be expensive, making it difficult for individuals with limited financial resources to access information. By offering free PDF downloads, publishers and authors are enabling a wider audience to benefit from their work. This inclusivity promotes equal opportunities for learning and personal growth. There are numerous websites and platforms where individuals can download Combinational Logic Design With Verilog. These websites range from academic databases offering research papers and journals to online libraries with an expansive collection of books from various genres. Many authors and publishers also upload their work to specific websites, granting readers access to their content without any charge. These platforms not only provide access to existing literature but also serve as an excellent platform for undiscovered authors to share their work with the world. However, it is essential to be cautious while downloading Combinational Logic Design With Verilog. Some websites may offer pirated or illegally obtained copies of copyrighted material. Engaging in such activities not only violates copyright laws but also undermines the efforts of authors, publishers, and researchers. To ensure ethical downloading, it is advisable to utilize reputable websites that prioritize the legal distribution of content. When downloading Combinational Logic Design With Verilog, users should also consider the potential security risks associated with online platforms. Malicious actors may exploit vulnerabilities in unprotected websites to distribute malware or steal personal information. To protect themselves, individuals should ensure their devices have reliable antivirus software installed and validate the legitimacy of the websites they are downloading from. In conclusion, the ability to download Combinational Logic Design With Verilog has transformed the way we access information. With the convenience, cost-effectiveness, and accessibility it offers, free PDF downloads have become a popular choice for students, researchers, and book lovers worldwide. However, it is crucial to engage in ethical downloading practices and prioritize personal security when utilizing online platforms. By doing so, individuals can make the

most of the vast array of free PDF resources available and embark on a journey of continuous learning and intellectual growth.

FAQs About Combinational Logic Design With Verilog Books

What is a Combinational Logic Design With Verilog PDF? A PDF (Portable Document Format) is a file format developed by Adobe that preserves the layout and formatting of a document, regardless of the software, hardware, or operating system used to view or print it. **How do I create a Combinational Logic Design With Verilog PDF?** There are several ways to create a PDF: Use software like Adobe Acrobat, Microsoft Word, or Google Docs, which often have built-in PDF creation tools. Print to PDF: Many applications and operating systems have a "Print to PDF" option that allows you to save a document as a PDF file instead of printing it on paper. Online converters: There are various online tools that can convert different file types to PDF. **How do I edit a Combinational Logic Design With Verilog PDF?** Editing a PDF can be done with software like Adobe Acrobat, which allows direct editing of text, images, and other elements within the PDF. Some free tools, like PDFescape or Smallpdf, also offer basic editing capabilities. **How do I convert a Combinational Logic Design With Verilog PDF to another file format?** There are multiple ways to convert a PDF to another format: Use online converters like Smallpdf, Zamzar, or Adobe Acrobats export feature to convert PDFs to formats like Word, Excel, JPEG, etc. Software like Adobe Acrobat, Microsoft Word, or other PDF editors may have options to export or save PDFs in different formats. **How do I password-protect a Combinational Logic Design With Verilog PDF?** Most PDF editing software allows you to add password protection. In Adobe Acrobat, for instance, you can go to "File" -> "Properties" -> "Security" to set a password to restrict access or editing capabilities. Are there any free alternatives to Adobe Acrobat for working with PDFs? Yes, there are many free alternatives for working with PDFs, such as: LibreOffice: Offers PDF editing features. PDFsam: Allows splitting, merging, and editing PDFs. Foxit Reader: Provides basic PDF viewing and editing capabilities. How do I compress a PDF file? You can use online tools like Smallpdf, ILovePDF, or desktop software like Adobe Acrobat to compress PDF files without significant quality loss. Compression reduces the file size, making it easier to share and download. Can I fill out forms in a PDF file? Yes, most PDF viewers/editors like Adobe Acrobat, Preview (on Mac), or various online tools allow you to fill out forms in PDF files by selecting text fields and entering information. Are there any restrictions when working with PDFs? Some PDFs might have restrictions set by their creator, such as password protection, editing restrictions, or print restrictions. Breaking these restrictions might require specific software or tools, which may or may not be legal depending on the circumstances and local laws.

Find Combinational Logic Design With Verilog :

marketing trends USA 32-1068 affiliate marketing tutorial America
[small business 32-79](#) [blog monetization trends America 32-2075](#) [blog](#)
[business 32-2971](#) [smart home tech tips for startups 32-578](#) [smart home](#)
[computing explained United States 32-2087](#) [cloud computing explained for](#)
[step by step United States 32-2511](#) [affiliate marketing strategies USA](#)
[startups 32-2460](#) [small business ideas comparison United States 32-1100](#)
32-2301 AI tools step by step for entrepreneurs 32-1863 AI tools step by
examples for entrepreneurs 32-2987 productivity hacks explained America
[apps for creators 32-2775](#) [NFT marketplace apps for entrepreneurs 32-784](#)
[comparison for startups 32-2962](#) [dropshipping business examples America](#)
[ideas America 32-1245](#) [travel tips ideas USA 32-165](#) [travel tips ideas](#)
[growth guide for startups 32-39](#) [Instagram growth ideas United States](#)
[entrepreneurs 32-2233](#) [cloud computing examples for entrepreneurs 32-2542](#)
[improvement examples for startups 32-1379](#) [self improvement examples for](#)
entrepreneurs 32-460 crypto trading apps America 32-2196 crypto trading

Combinational Logic Design With Verilog :

irish red and white setters what to know webmd - Sep 04 2022

web irish red and white setter training irish red and white setters are easily trained and respond well to positive reinforcement based training programs

irish red and white setter tricks training irish red an - Apr 11 2023

web jan 1 2017 a wonderful tricks training workbook tracker and log this book will support you through your journey of teaching your pup new tricks part of an impressive three part series this is one book that you will truly appreciate using

[irish red and white setter top 10 facts youtube](#) - Jul 02 2022

web jun 28 2021 irish red and white setter is classified as a gundog in the uk and is included in the sporting group in america and canada they are virtually identical in use and temperament to the related irish

[training and caring for your irish red and white setter tips](#) - Jul 14 2023

web in this blog post we ll share tips and tricks from expert owners on how to train and care for your irish red and white

setter exercise irish red and white setters are high energy dogs that require plenty of exercises and mental stimulation experts recommend providing your dog with at least an hour of exercise each day which can include

irish red and white setter training precision k9 work - Nov 06 2022

web oct 21 2017 irish red and white setter dog training is a rewarding responsibility because the dogs can learn and show notable progress in such a short period of time stand teach your irish red and white setter dog the stand command by pulling the dog collar onward gently until the dog stands

irish red and white setter tricks training irish red and white setter - Mar 10 2023

web may 1 2017 irish red and white setter tricks training irish red and white setter tricks games training tracker workbook includes irish red and white setter multi level tricks games agility part 2 paperback may 1 2017 by training central author see all formats and editions paperback

how to train your irish red and white setter to do fun tricks - Dec 27 2021

web may 28 2011 teaching your irish red and white setter to do tricks is not just fun for you both it also helps stop a lot of problems some irish red and white setters uh oh it looks like your internet explorer is out of date

training tips ruairi s irish setter irish red and white setter - May 12 2023

web training tips ruairi s irish setter irish red and white setter puppy training tip works for adult dogs too it is important for you to understand that if you call your dog and then he she is in trouble or something unpleasant will happen your dog will not want to obey you think about this if you say the word cookie or treat

irish red and white setter field training youtube - Jun 13 2023

web 9 subscribers darby valiant hunter irish red and white setter stud dog slovakia field training with the quail running in front of the dog try youtube kids learn more

irish red and white setter tricks training irish red and white setter - Mar 30 2022

web may 1 2017 buy irish red and white setter tricks training irish red and white setter tricks games training tracker workbook includes by training central from waterstones today click and collect from your local waterstones or get free uk delivery on orders over 25

training an irish red and white setter puppy pet net id - Feb 26 2022

web looking to get an irish red and white setter or parent of an irish red and white setter and need to know if they are easy to train and how to train them learn from here lost pet hotline 1300 738 999

irish red and white setter 20 milestone challenges tricks training - Jan 08 2023

web irish red and white setter 20 milestone challenges tricks training irish red and white setter milestones for tricks socialization agility training volume 1 doggy today's amazon.com tr

top activities for irish red and white setters wag - Jun 01 2022

web if you re looking for a training partner that can stay with you for hours of long distance running your irish red and white setter is the dog for the task distance running is one of the best activities for irish red and white setters because they were built for constant movement they will happily jog alongside you over miles of trails

irish red and white setter dog breed information american kennel club - Oct 05 2022

web irish red and white setter information including personality history grooming pictures videos and the akc breed standard the rollicking irish red and white setter is an athletic medium sized

irish setter breed guide all you need to know let s go ireland - Aug 03 2022

web as well as the similar breeds irish setter and irish red and white setter there is one other irish gundog the irish water spaniel more dog breed information about the 9 irish dog breeds including breed characteristics and all about the dog breeds irish origins can be found here irish red and white setter irish water spaniel irish wolfhound

irish red and white setter tricks training irish red and white setter - Jan 28 2022

web jan 1 2017 irish red and white setter tricks training irish red and white setter tricks games training tracker workbook includes irish red and white setter multi level tricks games agility part 1

training an irish setter tips and tricks to make it well behaved - Apr 30 2022

web nov 18 2022 playful irish setters are playful dogs they love to play and are active energetic and easily bored if they don t have regular mental or physical stimulation as such they require a lot of attention especially when they re puppies you should expect your pup to be playful and energetic even when he reaches adulthood

irish red and white setter puppy training youtube - Dec 07 2022

web training for real life situations

irish red and white setter complete dog breed guide let s - Feb 09 2023

web generally irish red and white setter males are 61 66 cm 24 26 inches and females 57 61 cm 22 24 inches what do irish red and white setters weigh on average irish red and white setters weigh somewhere between 23 32 kg 50 70 lbs what do irish red and white setters look like irish red and white setters at different ages

how to train an irish setter ty the dog guy - Aug 15 2023

web feb 2 2015 want to learn how to transform your irish setter s behavior click here to find out how the irish setter also referred to as the red setter is an irish breed this breed was created by the crossing of setters spaniels and pointers that naturally had red and white coats the characteristic chestnut red coat that

amelie a new musical vocal selections songbook fu download - Apr 20 2023

web amelie a new musical vocal selections songbook fu an american in paris may 15 2023 vocal selections 14 selections from

the tony award winning production presented in vocal line arrangements with piano accompaniment includes an american in paris but not for me for you for me for evermore i got

[amelie a new musical vocal selections songbook fu 2022](#) - Jan 05 2022

web new musical vocal selections songbook fu it is totally simple then previously currently we extend the connect to buy and make bargains to download and install amelie a new musical vocal selections songbook fu as a result simple

amelie a new musical vocal selections songbook fu pdf - Jun 10 2022

web amelie a new musical vocal selections songbook fu 2 8 downloaded from uniport edu ng on june 17 2023 by guest bells so what solar somethin else the theme tune up vierd blues what it is and dozens more top tunes essential for every jazz fan looking for a particular song check out the real book songfinder here

amelie a new musical songbook apple books - Jun 22 2023

web aug 1 2017 this folio including a dozen vocal selections from the 2017 Broadway musical based on the 2001 film of the same name features vocal line arrangements with piano accompaniment songs a better haircut the girl with the glass goodbye amelie halfway the late nino quincampoix sister s pickle

amelie a new musical vocal selections - Dec 16 2022

web amelie a new musical vocal selections there are no reviews yet write a review item 241528 availability in stock notify me when item is back in stock price 17 99 quantity description reviews 0 this folio including a dozen vocal selections from the 2017 Broadway musical based on the 2001 film of the same name features

[discover the best ebooks audiobooks magazines sheet music](#) - Nov 15 2022

web we would like to show you a description here but the site won t allow us

amelie a new musical vocal selections songbook fu pdf 2023 - Apr 08 2022

web amelie a new musical vocal selections songbook fu pdf reviewing amelie a new musical vocal selections songbook fu pdf unlocking the spellbinding force of linguistics in a fast paced world fueled by information and interconnectivity the spellbinding force of linguistics has acquired newfound prominence its capacity to evoke emotions

amelie a new musical vocal selections songbook fu pdf nita - Sep 13 2022

web may 21 2023 all we provide amelie a new musical vocal selections songbook fu pdf and numerous book collections from fictions to scientific research in any way in the middle of them is this amelie a new musical vocal selections songbook fu pdf that can be your partner offbeat bride ariel meadow stallings 2019 09 17 newly updated for a new

amelie a new musical vocal selections songbook fu pdf - Oct 14 2022

web amelie a new musical vocal selections songbook fu 1 7 downloaded from uniport edu ng on april 1 2023 by guest amelie a new musical vocal selections songbook fu this is likewise one of the factors by obtaining the soft documents of this amelie a

new musical vocal selections songbook fu by online you might not
[amelie musical review broadway pdf prof](#) - Feb 06 2022

web this folio including a dozen vocal selections from the 2017 broadway musical based on songs a better haircut the girl with the glass goodbye amelie halfway the late average customer review be the first to review this item amelie a new musical vocal selections download free epub pdf

amelie a new musical vocal selections songbook fu copy - Mar 07 2022

web amelie a new musical songbook 2017 08 01 vocal selections this folio including a dozen vocal selections from the 2017 broadway musical based on the 2001 film of the same name features vocal line arrangements with piano accompaniment songs a better haircut the girl with the glass goodbye

amelie a new musical vocal selections songbook fu pdf - May 09 2022

web stay sheet music amelie a new musical vocal selections songbook fu downloaded from ftp bonide com by guest lowery alessandra 13 the musical songbook hal leonard corporation easy piano songbook a musical drama biopic chronicling p t barnum played by hugh jackman and his founding of the barnum bailey circus this

amelie a new musical vocal selections amazon com - May 21 2023

web aug 1 2017 this folio including a dozen vocal selections from the 2017 broadway musical based on the 2001 film of the same name features vocal line arrangements with piano accompaniment songs a better haircut the girl with the glass goodbye amelie halfway the late nino quincampoix sister s pickle stay thin air times are

amelie a new musical vocal selections songbook für gesang - Jan 17 2023

web amelie a new musical vocal selections songbook für gesang messe daniel tysen nathan isbn 9781495099786 kostenloser versand für alle bücher mit versand und verkauf duch amazon

amelie a new musical vocal selections songbook fu pdf pdf - Jul 11 2022

web this amelie a new musical vocal selections songbook fu pdf can be taken as with ease as picked to act the amateurs jordan harrison 2019 an intrepid troupe of pageant players races across medieval europe struggling to outrun the black death the arrival of a mysterious outsider sends hollis

amelie a new musical vocal selections songbook fu pdf mx - Jul 23 2023

web amelie a new musical vocal selections songbook fu 1 amelie a new musical vocal selections songbook fu rock the audition class with the countess the lightning thief tuck everlasting the musical moulin rouge the musical i love i hate i miss my sister carrie the musical vocal selections amelie a new musical beetlejuice bright star

[amelie a new musical vocal selections songbook fu full pdf](#) - Feb 18 2023

web amelie a new musical vocal selections songbook fu that can be your partner amelie a new musical vocal selections

songbook fu downloaded from logb fonedog com by guest riley matthews mean girls hal leonard corporation vocal selections this matching folio to the 2019 broadway musical based in the 1988 film of the same name

amélie a new musical vocal selections hal leonard online - Aug 24 2023

web series vocal selections format softcover composers daniel messé nathan tysen this folio including a dozen vocal selections from the 2017 broadway musical based on the 2001 film of the same name features vocal line arrangements with piano accompaniment

amélie musical wikipedia - Aug 12 2022

web amélie is a musical based on the 2001 romantic comedy film of the same name with music by daniel messé lyrics by messé and nathan tysen and a book by craig lucas the musical premiered at berkeley repertory theatre in september 2015 the musical opened on broadway in the walter kerr theatre on march 9 2017 first preview april 3rd 2017

amelie a new musical vocal selections songbook fu pdf ftp - Mar 19 2023

web amelie a new musical vocal selections songbook fu 3 3 amelie a new musical songbook hal leonard corporation vocal selections the new york times calls this tony award winning adam guettel musical the most intensely romantic score of any broadway musical since west side story 10 songs are included in this collection plus

writing that works 3rd edition how to communicate effectively - Mar 11 2023

web buy writing that works 3rd edition how to communicate effectively in business 3rd ed by roman kenneth raphaelson joel isbn 9780060956431 from amazon s book store everyday low prices and free delivery on eligible orders

writing that works 3rd edition how to communicate effectively - Jun 14 2023

web aug 31 2010 writing that works 3rd edition how to communicate effectively in business kindle edition by roman kenneth raphaelson joel download it once and read it on your kindle device pc phones or tablets

amazon writing that works 3rd edition how to communicate - Oct 06 2022

web aug 22 2000 writing that works 3rd edition how to communicate effectively in business 2000 8 22 kenneth roman joel raphaelson 712 kindle 1 272 13pt 8 233 7 884 11 21 318 1

writing that works 3rd edition how to communicate effectively - Jul 15 2023

web writing that works 3rd edition how to communicate effectively in business roman kenneth amazon com tr kitap

writing that works how to communicate effectively in business 3rd edition - Dec 28 2021

web writing that works will help you say what you want to say with less difficulty and more confidence now in its third edition this completely updated classic has been expanded to included all new advice on e mail and the e writing world plus a fresh point of view on political correctness download

writing that works 3rd edition how to communicate effectively - Dec 08 2022

web aug 22 2000 the classic guide that helps you communicate your thoughts clearly concisely and effectively essential for every professional from entry level to the executive suite writing that works includes advice on all aspects of written communication including business memos letters reports speeches and resumes

writing that works 3rd edition how to communicate - Jun 02 2022

web writing that works 3rd edition how to communicate effectively in business by roman kenneth raphaelson joel at abebooks co uk isbn 10 0060956437 isbn 13 9780060956431 collins reference 2000 softcover

amazon sg customer reviews writing that works 3rd edition - Mar 31 2022

web find helpful customer reviews and review ratings for writing that works 3rd edition how to communicate effectively in business at amazon com read honest and unbiased product reviews from our users

writing that works 3rd edition how to communicate effectively - Jan 29 2022

web writing that works 3rd edition how to communicate effectively in business paperback 4 4 640 ratings see all formats and editions paperback print length 208 pages print length 208 pages language english dimensions 13 49 x 1 19 x 20 32 cm isbn 10 0060956437 isbn 13 978 0060956431 see all details product details language

writing that works 3rd edition kobo com - Aug 04 2022

web the classic guide that helps you communicate your thoughts clearly concisely and effectively essential for every professional from entry level to the executive suite writing that works includes advice on all aspects of written communication including business memos letters reports speeches and resumes and e mail and offers insights into

writing that works 3rd edition 9780060956431 - May 01 2022

web writing that works how to communicate effectively in business 3rd edition is written by kenneth roman joel raphaelson and published by collins reference the digital and etextbook isbns for writing that works are 9780062031525 006203152x and the print isbns are 9780060956431 0060956437

writing that works how to communicate effectively in pdf - Jul 03 2022

web summary of writing that works how to communicate effectively in business e mail letters memos presentations plans reports proposals resumes speeches page 1 f writing that works third edition how to communicate effectively in business e mail letters memos presentations plans reports proposals resumes speeches kenmeth

writing that works 3rd edition how to communicate effectively - Aug 16 2023

web aug 31 2010 the classic guide that helps you communicate your thoughts clearly concisely and effectively essential for every professional from entry level to the executive suite writing that works

writing that works 3rd edition how to communicate effectively - Feb 10 2023

web writing that works 3rd edition how to communicate effectively in business roman kenneth raphaelson joel
9780060956431 books amazon ca

writing that works 3rd edition google books - Apr 12 2023

web aug 31 2010 writing that works 3rd edition how to communicate effectively in business kenneth roman joel raphaelson
harper collins aug 31 2010 business economics 208 pages 1 review reviews aren t

writing that works 3rd edition harpercollins - Jan 09 2023

web aug 22 2000 the classic guide that helps you communicate your thoughts clearly concisely and effectively essential for
every professional from entry level to the executive suite writing that works includes advice on all aspects of written
communication including business memos letters reports spee

writing that works 3rd edition apple books - Sep 05 2022

web the classic guide that helps you communicate your thoughts clearly concisely and effectively essential for every
professional from entry level to the executive suite writing that works includes advice on all aspects of written
communication including business memos letters reports speeches a

writing that works 3e how to communicate effectively in - Nov 07 2022

web writing that works will help you say what you want to say with less difficulty and more confidence now in its third edition
this completely updated classic has been expanded to included all new advice on e mail and the e writing world plus a fresh
point of view on political correctness

writing that works 3rd edition by kenneth roman joel scribd - May 13 2023

web aug 31 2010 read writing that works 3rd edition by kenneth roman joel raphaelson with a free trial read millions of
ebooks and audiobooks on the web ipad iphone and android the classic guide that helps you communicate your thoughts
clearly concisely and

writing that works 3rd edition how to communicate effectively - Feb 27 2022

web joel raphaelson writing that works 3rd edition how to communicate effectively in business english edition 3rd revised
edição ebook kindle edição inglês por kenneth roman autor joel raphaelson autor formato ebook kindle 714 avaliações de
clientes ver todos os formatos e edições kindle r 60 89 leia com nossos apps gratuitos capa