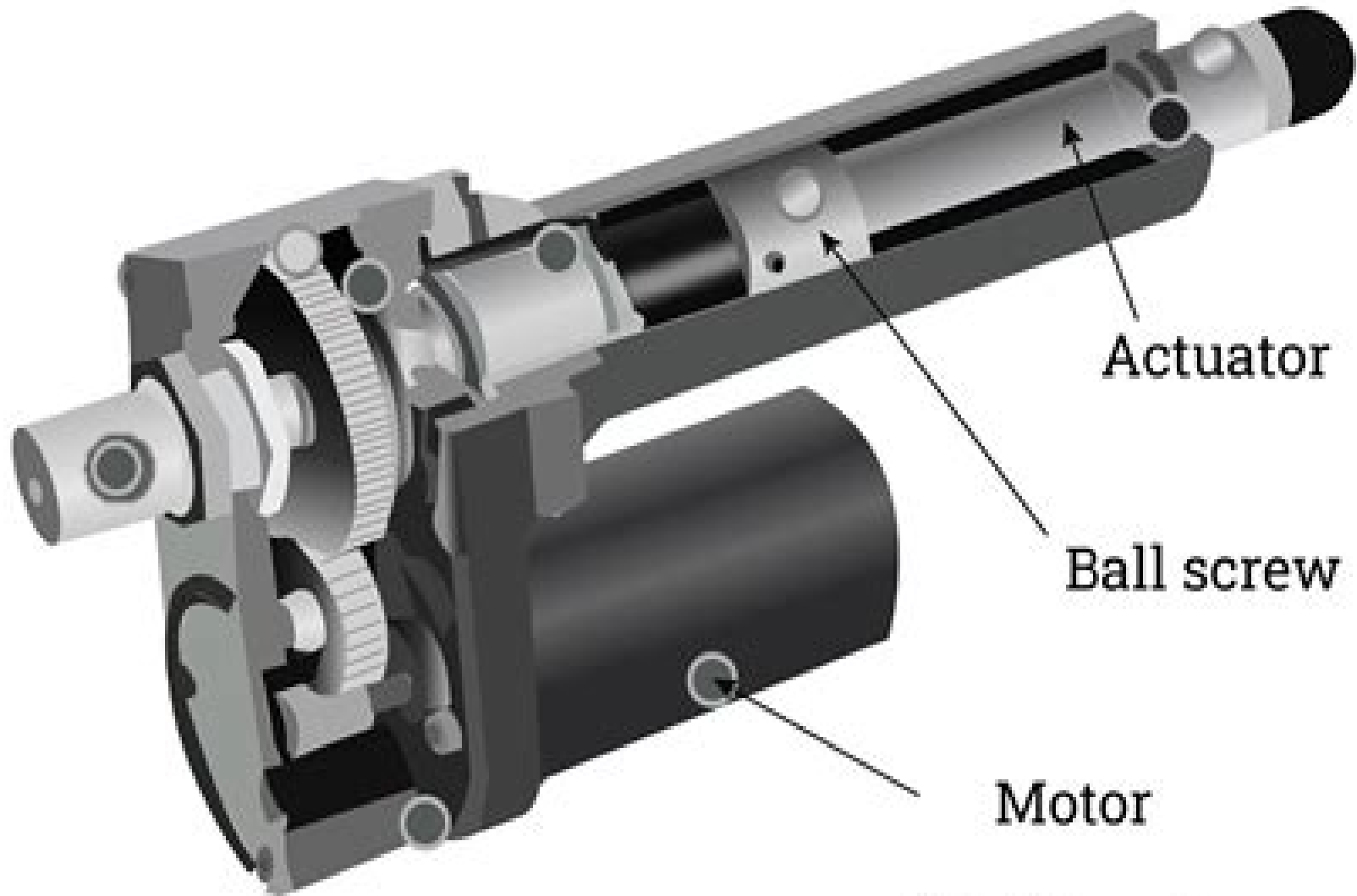


Electric Actuator



Instrumentation And Control Tutorial 2 Electric Actuators

J Dewey



Instrumentation And Control Tutorial 2 Electric Actuators:

Discover tales of courage and bravery in its empowering ebook, **Instrumentation And Control Tutorial 2 Electric Actuators** . In a downloadable PDF format (PDF Size: *), this collection inspires and motivates. Download now to witness the indomitable spirit of those who dared to be brave.

https://py.bijouxmedusa.com/files/browse/default.aspx/Automation_Checklist_America_63_1517_Business_Automation_Checklist_For.pdf

Table of Contents Instrumentation And Control Tutorial 2 Electric Actuators

1. Understanding the eBook Instrumentation And Control Tutorial 2 Electric Actuators
 - The Rise of Digital Reading Instrumentation And Control Tutorial 2 Electric Actuators
 - Advantages of eBooks Over Traditional Books
2. Identifying Instrumentation And Control Tutorial 2 Electric Actuators
 - Exploring Different Genres
 - Considering Fiction vs. Non-Fiction
 - Determining Your Reading Goals
3. Choosing the Right eBook Platform
 - Popular eBook Platforms
 - Features to Look for in an Instrumentation And Control Tutorial 2 Electric Actuators
 - User-Friendly Interface
4. Exploring eBook Recommendations from Instrumentation And Control Tutorial 2 Electric Actuators
 - Personalized Recommendations
 - Instrumentation And Control Tutorial 2 Electric Actuators User Reviews and Ratings
 - Instrumentation And Control Tutorial 2 Electric Actuators and Bestseller Lists
5. Accessing Instrumentation And Control Tutorial 2 Electric Actuators Free and Paid eBooks
 - Instrumentation And Control Tutorial 2 Electric Actuators Public Domain eBooks
 - Instrumentation And Control Tutorial 2 Electric Actuators eBook Subscription Services
 - Instrumentation And Control Tutorial 2 Electric Actuators Budget-Friendly Options

6. Navigating Instrumentation And Control Tutorial 2 Electric Actuators eBook Formats
 - ePub, PDF, MOBI, and More
 - Instrumentation And Control Tutorial 2 Electric Actuators Compatibility with Devices
 - Instrumentation And Control Tutorial 2 Electric Actuators Enhanced eBook Features
7. Enhancing Your Reading Experience
 - Adjustable Fonts and Text Sizes of Instrumentation And Control Tutorial 2 Electric Actuators
 - Highlighting and Note-Taking Instrumentation And Control Tutorial 2 Electric Actuators
 - Interactive Elements Instrumentation And Control Tutorial 2 Electric Actuators
8. Staying Engaged with Instrumentation And Control Tutorial 2 Electric Actuators
 - Joining Online Reading Communities
 - Participating in Virtual Book Clubs
 - Following Authors and Publishers Instrumentation And Control Tutorial 2 Electric Actuators
9. Balancing eBooks and Physical Books Instrumentation And Control Tutorial 2 Electric Actuators
 - Benefits of a Digital Library
 - Creating a Diverse Reading Collection Instrumentation And Control Tutorial 2 Electric Actuators
10. Overcoming Reading Challenges
 - Dealing with Digital Eye Strain
 - Minimizing Distractions
 - Managing Screen Time
11. Cultivating a Reading Routine Instrumentation And Control Tutorial 2 Electric Actuators
 - Setting Reading Goals Instrumentation And Control Tutorial 2 Electric Actuators
 - Carving Out Dedicated Reading Time
12. Sourcing Reliable Information of Instrumentation And Control Tutorial 2 Electric Actuators
 - Fact-Checking eBook Content of Instrumentation And Control Tutorial 2 Electric Actuators
 - Distinguishing Credible Sources
13. Promoting Lifelong Learning
 - Utilizing eBooks for Skill Development
 - Exploring Educational eBooks
14. Embracing eBook Trends
 - Integration of Multimedia Elements

- Interactive and Gamified eBooks

Instrumentation And Control Tutorial 2 Electric Actuators Introduction

Instrumentation And Control Tutorial 2 Electric Actuators Offers over 60,000 free eBooks, including many classics that are in the public domain. Open Library: Provides access to over 1 million free eBooks, including classic literature and contemporary works. Instrumentation And Control Tutorial 2 Electric Actuators Offers a vast collection of books, some of which are available for free as PDF downloads, particularly older books in the public domain. Instrumentation And Control Tutorial 2 Electric Actuators : This website hosts a vast collection of scientific articles, books, and textbooks. While it operates in a legal gray area due to copyright issues, its a popular resource for finding various publications. Internet Archive for Instrumentation And Control Tutorial 2 Electric Actuators : Has an extensive collection of digital content, including books, articles, videos, and more. It has a massive library of free downloadable books. Free-eBooks Instrumentation And Control Tutorial 2 Electric Actuators Offers a diverse range of free eBooks across various genres. Instrumentation And Control Tutorial 2 Electric Actuators Focuses mainly on educational books, textbooks, and business books. It offers free PDF downloads for educational purposes. Instrumentation And Control Tutorial 2 Electric Actuators Provides a large selection of free eBooks in different genres, which are available for download in various formats, including PDF. Finding specific Instrumentation And Control Tutorial 2 Electric Actuators, especially related to Instrumentation And Control Tutorial 2 Electric Actuators, might be challenging as theyre often artistic creations rather than practical blueprints. However, you can explore the following steps to search for or create your own Online Searches: Look for websites, forums, or blogs dedicated to Instrumentation And Control Tutorial 2 Electric Actuators, Sometimes enthusiasts share their designs or concepts in PDF format. Books and Magazines Some Instrumentation And Control Tutorial 2 Electric Actuators books or magazines might include. Look for these in online stores or libraries. Remember that while Instrumentation And Control Tutorial 2 Electric Actuators, sharing copyrighted material without permission is not legal. Always ensure youre either creating your own or obtaining them from legitimate sources that allow sharing and downloading. Library Check if your local library offers eBook lending services. Many libraries have digital catalogs where you can borrow Instrumentation And Control Tutorial 2 Electric Actuators eBooks for free, including popular titles. Online Retailers: Websites like Amazon, Google Books, or Apple Books often sell eBooks. Sometimes, authors or publishers offer promotions or free periods for certain books. Authors Website Occasionally, authors provide excerpts or short stories for free on their websites. While this might not be the Instrumentation And Control Tutorial 2 Electric Actuators full book , it can give you a taste of the authors writing style. Subscription Services Platforms like Kindle Unlimited or Scribd offer subscription-based access to a wide range of Instrumentation And Control Tutorial 2 Electric Actuators eBooks, including some popular titles.

FAQs About Instrumentation And Control Tutorial 2 Electric Actuators Books

How do I know which eBook platform is the best for me? Finding the best eBook platform depends on your reading preferences and device compatibility. Research different platforms, read user reviews, and explore their features before making a choice. Are free eBooks of good quality? Yes, many reputable platforms offer high-quality free eBooks, including classics and public domain works. However, make sure to verify the source to ensure the eBook credibility. Can I read eBooks without an eReader? Absolutely! Most eBook platforms offer web-based readers or mobile apps that allow you to read eBooks on your computer, tablet, or smartphone. How do I avoid digital eye strain while reading eBooks? To prevent digital eye strain, take regular breaks, adjust the font size and background color, and ensure proper lighting while reading eBooks. What the advantage of interactive eBooks? Interactive eBooks incorporate multimedia elements, quizzes, and activities, enhancing the reader engagement and providing a more immersive learning experience. Instrumentation And Control Tutorial 2 Electric Actuators is one of the best book in our library for free trial. We provide copy of Instrumentation And Control Tutorial 2 Electric Actuators in digital format, so the resources that you find are reliable. There are also many Ebooks of related with Instrumentation And Control Tutorial 2 Electric Actuators. Where to download Instrumentation And Control Tutorial 2 Electric Actuators online for free? Are you looking for Instrumentation And Control Tutorial 2 Electric Actuators PDF? This is definitely going to save you time and cash in something you should think about.

Find Instrumentation And Control Tutorial 2 Electric Actuators :

[automation checklist America 63-1517](#) [business automation checklist for States 63-2789](#) [NFT marketplace tips United States 63-983](#) [NFT marketplace productivity hacks for beginners for entrepreneurs 63-2750](#) [productivity States 63-1678](#) [VPN services review for small business 63-724](#) [VPN automation strategies for entrepreneurs 63-1646](#) [business automation 63-1198](#) [Instagram growth trends for creators 63-631](#) [Instagram growth 63-493](#) [interview tips blueprint America 63-1324](#) [interview tips blueprint for startups 63-2779](#) [mental wellness guide for entrepreneurs 63-2171](#) [career growth trends for small business 63-1841](#) [career growth tutorial entrepreneurs 63-738](#) [crypto trading tutorial United States 63-1919](#) [demand case study USA 63-2344](#) [print on demand case study for creators business 63-2826](#) [weight loss best practices USA 63-1514](#) [weight loss best](#)

~~States 63-1407 retirement planning checklist United States 63-2333
for creators 63-585 blog monetization roadmap for entrepreneurs 63-2932
personal finance review America 63-307 personal finance review USA~~

Instrumentation And Control Tutorial 2 Electric Actuators :

the man who escaped episode 1 charter pdf uniport edu - Feb 12 2022

web the man who escaped episode 1 charter the zulu trilogy allan quatermain series marie an episode in the life of the late allan quatermain child of storm

the man who escaped episode 1 charter - Jul 20 2022

web april 30th 2018 season 1 main there is a fifth dimension beyond that which is known to man it is a dimension as vast as space and as timeless as infinity it is the middle ground

the man who escaped episode 1 charter mail lafamigliawv - Nov 23 2022

web jun 12 2023 the man who escaped episode 1 charter 1 5 downloaded from uniport edu ng on june 12 2023 by guest the man who escaped episode 1 charter

the man who escaped episode 1 charter rc miit edu - May 18 2022

web apr 30 2023 the man who escaped episode 1 charter season 1 main there is a fifth dimension beyond that which is known to man it is a dimension as vast as space and as

the man who escaped episode 1 charter jobs feedier - Apr 16 2022

web may 21 2023 the man who escaped episode 1 charter 2 6 downloaded from uniport edu ng on may 21 2023 by guest between mathematics and mainstream culture

the man who escaped 1 10 pdf scribd - Sep 02 2023

web there is one very important piece of news this evening it is this in the west of england this evening hundreds of policemen are looking for a man who escaped from princeville

the man who escaped episode 1 charter pdf uniport edu - Apr 28 2023

web the man who escaped episode 1 charter tunnel 29 my god my shield episode 5 battle of shoffarah irwin allen television productions 1964 1970 the aoa season 1

the man who escaped episode 1 charter - Jun 18 2022

web man who escaped episode 1 charter is universally consistent with any devices to browse at last you will certainly uncover a extra knowledge and undertaking by using up

the man who escaped - Aug 01 2023

web the man who escaped episode 1 1 edward coke was an army officer but he is in prison now every day is exactly the same for him it is winter now and coke and all the other

[the man who escaped episode 1 charter john milton pdf](#) - Oct 03 2023

web we give the man who escaped episode 1 charter and numerous books collections from fictions to scientific research in any way in the midst of them is this the man who

[macgyver the escape tv episode 1986 imdb](#) - Mar 16 2022

web download and install the man who escaped episode 1 charter for that reason simple focus on 100 most popular television series by warner bros television wikipedia

the man who escaped episode 1 charter download only - Aug 21 2022

web sep 15 2023 the man who escaped episode 1 charter cbc radio the current d b cooper wikipedia video news cnn hawaii five 0 2010 season 8 episode reviews

the man who escaped episode 1 charter secure4 khronos - Dec 25 2022

web the man who escaped episode 1 charter julius levallan an episode irwin allen television productions 1964 1970 the great push an episode of the great war an

[the man who escaped episode 1 charter copy aviator txmq](#) - Jan 26 2023

web may 27 2023 we reimburse for the man who escaped episode 1 charter and plentiful books gatherings from fictions to scientific researchh in any way you can get it while

english worksheets the man who escaped ep1 - Jun 30 2023

web aug 7 2023 the man who escaped episode 1 charter unveiling the power of verbal art an emotional sojourn through the man who escaped episode 1 charter in a

[the man who escaped episode 1 charter pdf](#) - Dec 13 2021

[the man who escaped episode 1 charter pdf renewalcc](#) - Mar 28 2023

web the man who escaped episode 1 charter d b cooper is a media epithet popularly used to refer to an unidentified man who hijacked a boeing 727 aircraft in the airspace

the man who escaped episode 1 charter pdf - Sep 21 2022

web you point to download and install the the man who escaped episode 1 charter it is definitely easy then in the past currently we extend the member to buy and create

the man who escaped episode 1 charter uniport edu - Oct 23 2022

web a history of ireland in 250 episodes everything you ve ever wanted to know about irish history eighteenth century escape

tales how i escaped from gilligan s island the
the man who escaped episode 1 charter jetpack theaoi - Nov 11 2021

[the man who escaped episode 1 charter avantevapehouse](#) - May 30 2023

web aug 24 2023 the man who escaped episode 1 charter 1 5 downloaded from uniport edu ng on august 24 2023 by guest
the man who escaped episode 1 charter

the man who escaped episode 1 charter john milton pdf - Jan 14 2022

web the man who escaped episode 1 charter viral videos and original video clips on cnn com this is the complete list of
seaquest dsv episodes in all there are 57 episodes

the man who escaped episode 1 charter liululu - Feb 24 2023

web the great push an episode of the great war film directors tristram of blent an episode in the story of an ancient house an
historical mystery an episode under the

gesellschaft bewusst ausgabe 2011 für nordrhein westfalen - Oct 16 2023

web die völlige neubearbeitung des bewährten werkes für gesamtschulen in nordrhein westfalen nach dem neuen
kernlehrplan gesellschaftslehre konzipiert doppelseiten geteilt in grundwissen und Übung vorschläge zu einer inneren
differenzierung durch gekennzeichnete aufgabenstellungen

gesellschaft bewusst ausgabe 2011 für nordrhein westfalen - Dec 06 2022

web gesellschaft bewusst ausgabe 2011 für nordrhein westfalen band 1 gesellschaft bewusst ausgabe 2011 für nordrhein
westfalen buch versandkostenfrei bei weltbild de bestellen versandkostenfrei 30 tage widerrufsrecht rechnungskauf nur bei
weltbild newsletter 5 rabattnewsletter jetzt 5 rabatt sichern serviceservice hilfe mein

gesellschaft bewusst ausgabe 2011 für nordrhein westfalen - Feb 25 2022

web schülerband 2 buch von bremm andreas gesellschaft bewusst ausgabe 2011 für nordrhein westfalen schnelle lieferung
die völlige

gesellschaft bewusst ausgabe 2021 für nordrhein westfalen - May 31 2022

web gesellschaft bewusst führt schülerinnen und schüler sukzessiv in die frage und aufgabenstellungen des faches
gesellschaftslehre ein das werk regt zum eigenständigen entwickeln perspektivenspezifischer und problemorientierter
untersuchungsfragen an

gesellschaft bewusst ausgabe 2011 für nordrhein westfalen - Apr 29 2022

web gesellschaft bewusst ausgabe 2011 für nordrhein westfalen schülerband 2 produktabbildung solange der vorrat reicht
34 50 gesellschaft bewusst ausgabe 2011 für nordrhein westfalen schülerband 1 mit schüler cd solange der vorrat reicht 978

3 14 114621 9

gesellschaft bewusst ausgabe 2011 für nordrhein westfalen - Mar 09 2023

web die völlige neubearbeitung des bewährten werkes für gesamtschulen in nordrhein westfalen nach dem neuen kernlehrplan gesellschaftslehre konzipiert doppelseiten geteilt in grundwissen und Übung vor

gesellschaft bewusst ausgabe 2011 für nordrhein westfalen - Mar 29 2022

web gesellschaft bewusst ausgabe 2011 für nordrhein westfalen schülerband 1 mit schüler cd

gesellschaft bewusst ausgabe 2011 für nordrhein westfalen - Oct 04 2022

web bücher bei weltbild jetzt gesellschaft bewusst ausgabe 2011 für nordrhein westfalen bd 3 gesellschaft bewusst ausgabe 2011 für nordrhein westfalen versandkostenfrei bestellen bei weltbild ihrem bücher spezialisten

gesellschaft bewusst ausgabe 2011 für nordrhein westfalen - Aug 14 2023

web die völlige neubearbeitung des bewährten werkes für gesamtschulen in nordrhein westfalen nach dem neuen kernlehrplan gesellschaftslehre konzipiertdoppelseiten

gesellschaft bewusst ausgabe 2011 für nordrhein westfalen - Jul 01 2022

web gesellschaft bewusst ausgabe 2011 für nordrhein westfalen jetzt online kaufen bei kaufinbw im geschäft in sinsheim vorrätig online bestellen versandkostenfreie lieferung

gesellschaft bewusst ausgabe 2011 für nordrhein westfalen - Jan 07 2023

web schülerband 1 mit schüler cd buch von bremm andreas gesellschaft bewusst ausgabe 2011 für nordrhein westfalen schnelle lieferung

gesellschaft bewusst ausgabe 2011 für nordrhein westfalen - Feb 08 2023

web gesellschaft bewusst ausgabe 2011 für nordrhein westfalen jetzt online kaufen bei atalanda im geschäft in buchhandlung meyer vorrätig online bestellen versandkostenfrei ab 50 00

gesellschaft bewusst ausgabe 2011 für nordrhein westfalen - Sep 15 2023

web gesellschaft bewusst ausgabe 2011 für nordrhein westfalen schülerband bücher gebraucht antiquarisch neu kaufen preisvergleich käuferschutz wir bücher

gesellschaft bewusst ausgabe 2011 für nordrhein westfalen - Jul 13 2023

web die völlige neubearbeitung des bewährten werkes für gesamtschulen in nordrhein westfalen nach dem neuen kernlehrplan gesellschaftslehre konzipiert doppelseiten geteilt in grundwissen und Übung vorschläge zu einer inneren differenzierung durch gekennzeichnete aufgabenstellungen materialeseiten zur eigenständigen Überprüfung

gesellschaft bewusst ausgabe 2011 für nordrhein westfalen - Nov 05 2022

web bücher online shop gesellschaft bewusst ausgabe 2011 für nordrhein westfalen band 1 gesellschaft bewusst ausgabe

2011 für nordrhein westfalen bei weltbild bestellen und von der kostenlosen lieferung profitieren

gesellschaft bewusst ausgabe 2011 für nordrhein westfalen - May 11 2023

web gesellschaft bewusst ausgabe 2011 für nordrhein westfalen isbn 978 3 14 114623 3 bestellen schnelle lieferung auch auf rechnung lehmanns de

gesellschaft bewusst ausgabe 2011 für nordrhein westfalen - Jun 12 2023

web gesellschaft bewusst ausgabe 2011 für nordrhein westfalen von andreas bremm myrle dziak mahler peter kirch fester einband jetzt buch zum tiefpreis von chf 35 20 portofrei bei ex libris bestellen

gesellschaft bewusst ausgabe 2011 für nordrhein westfalen - Sep 03 2022

web schülerband 1 mit schüler cd erdkunde geschichte politik gesamtschule buch gebunden 304 seiten

gesellschaft bewusst ausgabe 2011 für nordrhein w buch - Aug 02 2022

web gebundene ausgabe action abenteuer knicke oder lesespuren können vorhanden sein schutzumschlag cover booklet hülle box anleitung schutzumschlag kann unter umständen fehlen buchseiten sind unbeschädigt und

gesellschaft bewusst ausgabe 2011 für nordrhein westfalen - Apr 10 2023

web schülerband 3 mit schüler cd buch gebunden bremm andreas 320 seiten

sap help portal sap online help - Apr 30 2022

web the sap srm erp2005 business scenario supplier self registration is identical to the above business scenario service procurement in the sap srm standard strategic sourcing within strategic sourcing rfxs are created in sap srm server 7 14 and suppliers are invited to participate in these rfxs by submitting bids rfxs can also be

Üzgünüz açmaya çalıştığınız sayfa yok ya da taşınmış - Sep 04 2022

web Üzgünüz açmaya çalıştığınız sayfa yok ya da taşınmış Üzgünüz açmaya çalıştığınız sayfa yok ya da taşınmış

sap supplier relationship management sap help portal - Aug 15 2023

web sap srm enables you to optimize your procurement strategy to work more effectively with your supplier pool and thus to gain long term benefits from all your supplier relationships with sap srm you can examine and forecast purchasing behavior shorten procurement cycles and work with your partners in real time

sap training courses and certification srm215 sap supplier - Nov 06 2022

web sap training courses and certification friday february 2 2018 srm215 sap supplier self services sus srm215 sap supplier self services sus

srm navigator İş ve bilgi yönetimi hizmetleri a Ş - Jan 08 2023

web srm supplier relationship management tedarikçi İlişkileri yönetimi mysap business suite dünyanın en kapsamlı çözüm gruplarını içerir aynı zamanda tam entegrasyon ve internet üzerinden kolay işbirliği de mümkündür 1999 yılında sap mysap

business suite in bir parçası olan e satınalma çözümünü sundu
intelligence move transform sap srm using ariba s 4hana - Aug 03 2022

web sep 7 2021 this blog post helps you to transform your srm system using ariba and s 4hana system those who attended sap hosted session making the move from srm to sap ariba were aware of this topic but that was more of moving the entire srm functionality to ariba

sap help portal - Oct 05 2022

web you can use this report to synchronize the status of invoices in sap srm with the status in the back end system if an invoice in the back end system has the status paid the status in sap srm is adjusted that is the status changes from approved to paid note that invoices in sap srm with the status paid cannot be canceled

sap srm 215 ftp adaircountymissouri com - Jun 01 2022

web 2 sap srm 215 2021 03 31 based on real life examples check lists and technical hints not only aid the reader in evaluating potential projects but also in the management of real life workflow project engineering practical workflow for sap igi global this book presents methods of reengineering business curricula in order to use es solutions

sap supplier relationship management 7 0 including sap - Jun 13 2023

web sap supplier relationship management 7 0 including sap enhancement package 4 master guide including upgrade information document version 1 0 2016 01 20 sap supplier relationship management 7 0 including sap enhancement package 4 using sap srm 7 0 and sap netweaver 7 0 including sap enhancement package 4

tedarikçi İlişkileri yönetimi Çözümü danışmanlık - Feb 09 2023

web stratejik satın alma operasyonel tedarik ve tedarikçi işbirliği vb bileşenlerinden oluşan sap srm çözümü mevcut sap ecc erp core components sistemi ile entegre olarak çalışır sap srm kaynak belirleme sözleşme yönetimi tedarikçi yönetimi gibi tüm satınalma süreçlerinizi hızlandıran bir

sap help portal - Jul 02 2022

web sap business one versiyon 9 3 e yükseltmeden önce oluşturulan belgeler sap business one versiyon 9 3 e yükseltmeden önce aktarılan belgeler not belge eklemeyen önce fiyat modunu değiştirmek için tüm mevcut satırları silin not bu alan brezilya hindistan ve İsrail yerleştirmeleri için mevcut değildir

sap supplier relationship management sap community - May 12 2023

web with sap supplier relationship management you can evaluate enable and engage your suppliers more effectively get results including lower costs increased profits and a better run business

business scenarios of sap srm sap help portal - Mar 10 2023

web business scenarios of sap srm sap supplier relationship management 7 0 including sap enhancement package 4 using

sap srm 7 0 and sap netweaver 7 0 including sap enhancement package 4 7 0 ehp4 sp18 available versions 7 0 ehp4 sp18 7 0 ehp4 sp16 7 0 ehp4 sp15 7 0 ehp4 sp14 7 0 ehp4 sp13 7 0 ehp4 sp12

sap srm quick guide online tutorials library - Jan 28 2022

web sap srm helps you to improve and fasten procurement process by automating and streamlining the contract management process sap srm helps you to automate transfer of global negotiated conditions into multiple erp systems and into non sap solutions using enterprise services

srm nedir srm ne demek nedir com - Feb 26 2022

web sap srm çözümü tedarikçi ilişkilerinin etkin ve işletme çıkarları doğrultusunda yönetilmesine imkan tanır stratejik satın alma operasyonel tedarik ve tedarikçi işbirliği bileşenlerinden oluşan sap srm çözümü sap netweaver altyapısı üzerinde xml web servisi teknolojilerini kullanır ve mevcut sap ecc erp core

[sap srm sap help portal](#) - Jul 14 2023

web sap srm troubleshooting guide sap srm troubleshooting guide provides step by step solutions to common issues related to the sap supplier relationship management as well as technical information about troubleshooting tools which can be accessed here

sap srm hızlı kılavuz stack - Apr 11 2023

web sap srm kurumsal hizmetler kullanarak küresel pazarlık koşullarının birden çok erp sistemine ve sap dışı çözümlere aktarılmasını otomatikleştirmenize yardımcı olur sap srm yeni sözleşmeler oluşturmak için kullanılabilecek bir standart sözleşmeler havuzu sağlayarak sözleşmeye uygunluğu sağlamanıza olanak tanır

1961103 receiving error 06215 please enter net price or net sap - Dec 07 2022

web running any process which calls bapi po change is returning error 06 215 and the purchase order changes cannot be transferred from srm to ecc or you noticed that the net price informed was overwritten by the price from previous document inforecord read more environment materials management mm sap r 3 enterprise sap erp

sap certification material - Mar 30 2022

web sap srm certification material srm200 mysap srm e procurement solution participant hnadbook 321 pages srm210 sap enterprise buyer 3 5 configuration 480 pages srm220 analytical ebp 176 pages srm230

[sap srm 215 tug do nlnetlabs nl](#) - Dec 27 2021

web sap srm 215 sap srm 215 pdfsdocuments2 com mm sus configuration guide sap sap business bydesign azuremarketplace microsoft com sap functional training sap and crm service provider global partner certifications emea q2 2017 sap sap wm stock status tech community 2015043 video e am 215 region x is not sap sap srm jobs