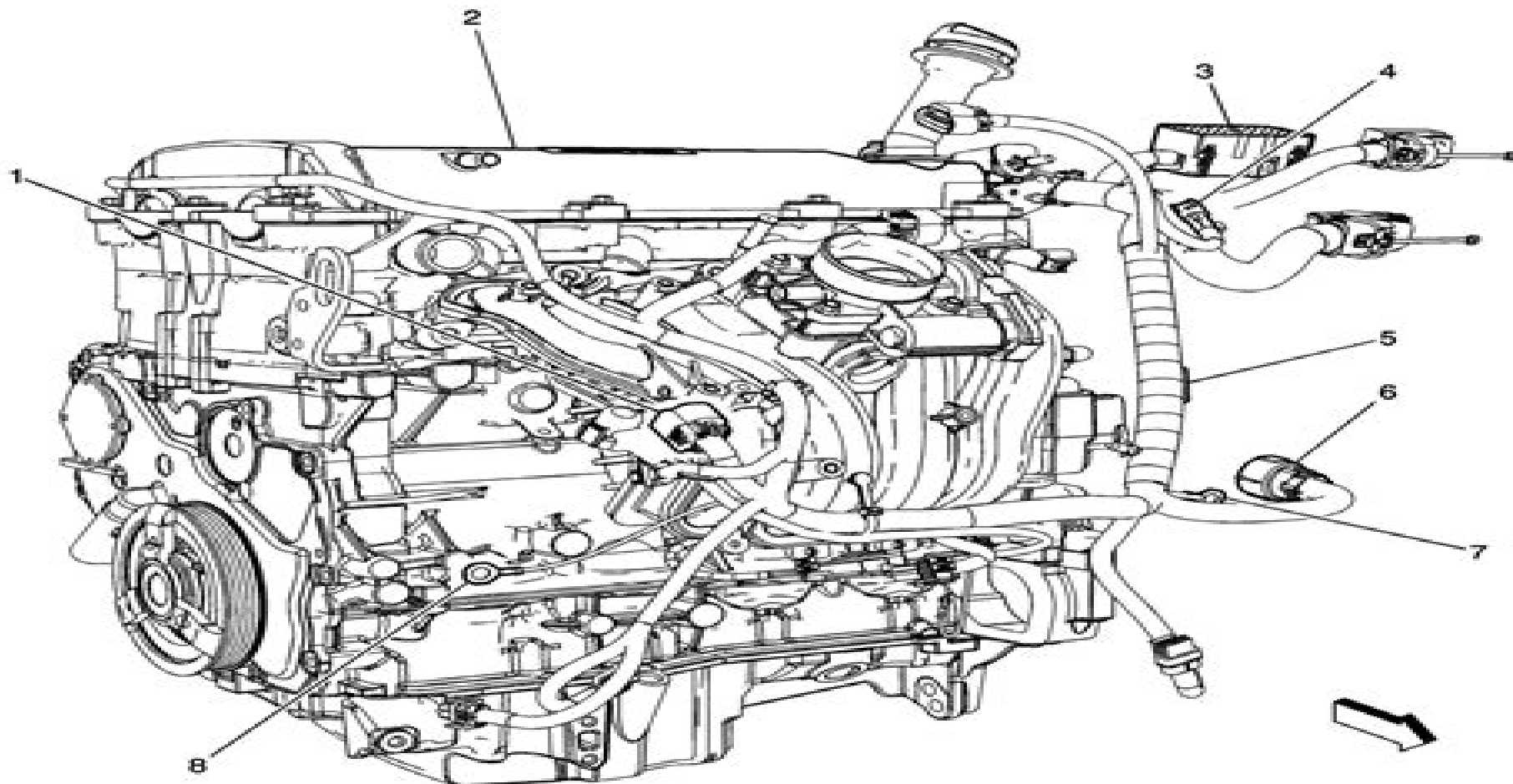


Engine Harness - Front (L61)



- (1) C160
- (2) Engine Valve Cover
- (3) Fuse Block - Underhood C1
- (4) C101
- (5) S103
- (6) C100 (MN5)
- (7) G107
- (8) G105

2008 Chevrolet Hhr Engine Diagram

John Baecht



2008 Chevrolet Hhr Engine Diagram:

Product Recall Management Sascha Raithel, Setareh Heidari, Jan von Schlieben-Troschke, 2024-11-05 Product recalls affect thousands of products globally each year impacting millions of customers and causing severe consequences for companies For instance Takata s airbag recall cost 25 billion and led to bankruptcy Similarly a viral video showing a Kryptonite bike lock easily broken damaged customer trust significantly Effective recall management is crucial It involves addressing supply chain production legal and customer relationship aspects with marketing playing a key role A well managed recall limits company damage and protects customers while also considering investors regulatory agencies policymakers and the public This book offers guidance on developing a recall strategy communicating safety risks and restoring trust post crisis It provides detailed recommendations for recall management across different phases with insights into consumer goods food and automotive sectors and shows the broader impact of product defects This book is a practical toolkit for managers backed by current research and real world case studies ensuring effective navigation through product recalls

Business Ethics Richard A. Spinello, 2019-01-24 The future of the free market depends on fair honest business practices Business Ethics Contemporary Issues and Cases aims to deepen students knowledge of ethical principles corporate social responsibility and decision making in all aspects of business The text presents an innovative approach to ethical reasoning grounded in moral philosophy Focusing on corporate purpose creating economic value complying with laws and regulations and observing ethical standards a decision making framework is presented based upon Duties Rights Justice Over 40 real world case studies allow students to grapple with a wide range of moral issues related to personal integrity corporate values and global capitalism Richard A Spinello delves into the most pressing issues confronting businesses today including sexual harassment in the workplace cybersecurity privacy and environmental justice

Lemon-Aid New Cars and Trucks 2010 Phil Edmonston, 2009-11-01 This compendium of everything thats new in cars and trucks is packed with feedback from Canadian drivers insider tips internal service bulletins and confidential memos to help the consumer select whats safe reliable and fuel frugal

Lemon-Aid Used Cars and Trucks 2011-2012 Phil Edmonston, 2011-04-25 As Toyota skids into an ocean of problems and uncertainty continues in the U S automotive industry Lemon Aid Used Cars and Trucks 20112012 shows buyers how to pick the cheapest and most reliable vehicles from the past 30 years Lemon Aid guides are unlike any other car and truck books on the market Phil Edmonston Canada s automotive Dr Phil for 40 years pulls no punches Like five books in one Lemon Aid Used Cars and Trucks is an expos of car scams and gas consumption lies a do it yourself service manual an independent guide that covers beaters lemons and collectibles an archive of secret service bulletins granting free repairs and a legal primer that even lawyers cant beat Phil delivers the goods on free fixes for Chrysler Ford and GM engine transmission brake and paint defects lets you know about Corvette and Mustang tops that fly off gives the lowdown on Honda Hyundai and Toyota engines and transmissions and provides the latest information on computer module glitches

Design

for Safety Louis J. Gullo, Jack Dixon, 2017-12-07 A one stop reference guide to design for safety principles and applications Design for Safety DfSa provides design engineers and engineering managers with a range of tools and techniques for incorporating safety into the design process for complex systems It explains how to design for maximum safe conditions and minimum risk of accidents The book covers safety design practices which will result in improved safety fewer accidents and substantial savings in life cycle costs for producers and users Readers who apply DfSa principles can expect to have a dramatic improvement in the ability to compete in global markets They will also find a wealth of design practices not covered in typical engineering books allowing them to think outside the box when developing safety requirements Design Safety is already a high demand field due to its importance to system design and will be even more vital for engineers in multiple design disciplines as more systems become increasingly complex and liabilities increase Therefore risk mitigation methods to design systems with safety features are becoming more important Designing systems for safety has been a high priority for many safety critical systems especially in the aerospace and military industries However with the expansion of technological innovations into other market places industries that had not previously considered safety design requirements are now using the technology in applications Design for Safety Covers trending topics and the latest technologies Provides ten paradigms for managing and designing systems for safety and uses them as guiding themes throughout the book Logically defines the parameters and concepts sets the safety program and requirements covers basic methodologies investigates lessons from history and addresses specialty topics within the topic of Design for Safety DfSa Supplements other books in the series on Quality and Reliability Engineering Design for Safety is an ideal book for new and experienced engineers and managers who are involved with design testing and maintenance of safety critical applications It is also helpful for advanced undergraduate and postgraduate students in engineering Design for Safety is the second in a series of Design for books Design for Reliability was the first in the series with more planned for the future *Automotive News*, 2007 **F & S Index United States Annual**, 2007 **The New York Times Index**, 2005 **General Motors Chevrolet HHR** Editors of Haynes Manuals, 2012-11-01 With a Haynes manual you can do it yourself from simple maintenance to basic repairs Haynes writes every book based on a complete teardown of the vehicle We learn the best ways to do a job and that makes it quicker easier and cheaper for you Our books have clear instructions and hundreds of photographs that show each step Whether you re a beginner or a pro you can save big with Haynes Step by step procedures Easy to follow photos Complete troubleshooting section Valuable short cuts Color spark plug diagnosis Complete coverage for your Chevrolet HHR for 2006 thru 2011 Routine Maintenance Tune up procedures Engine repair Cooling and heating Air Conditioning Fuel and exhaust Emissions control Ignition Brakes Suspension and steering Electrical systems Wiring diagrams **Chevy Big-Block Engine Parts Interchange** John Baechtel, 2014-04-10 The venerable Chevy big block engines have proven themselves for more than half a century as the power plant of choice for incredible performance on the street and strip They were innovators and dominators

of the muscle car wars of the 1960s and featured a versatile design architecture that made them perfect for both cars and trucks alike Throughout their impressive production run the Chevy big block engines underwent many generations of updates and improvements Understanding which parts are compatible and work best for your specific project is fundamental to a successful and satisfying Chevy big block engine build In Chevy Big Block Engine Parts Interchange hundreds of factory part numbers RPOs and detailed color photos covering all generations of the Chevy big block engine are included Every component is detailed from crankshafts and rods to cylinder heads and intakes You ll learn what works what doesn t and how to swap components among different engine displacements and generations This handy and informative reference manual lets you create entirely unique Chevy big block engines with strokes bores and power outputs never seen in factory configurations Also included is real world expert guidance on aftermarket performance parts and even turnkey crate motors It s a comprehensive guide for your period correct restoration or performance build John Baechtel brings his accumulated knowledge and experience of more than 34 years of high performance engine and vehicle testing to this book He details Chevy big block engines and their various components like never before with definitive answers to tough interchange questions and clear instructions for tracking down rare parts You will constantly reference the Chevy Big Block Parts Interchange on excursions to scrap yards and swap meets and certainly while building your own Chevy big block engine

General Motors Chevrolet HHR Editors of Haynes Manuals,2012-11-01 With a Haynes manual you can do it yourself from simple maintenance to basic repairs Haynes writes every book based on a complete teardown of the vehicle We learn the best ways to do a job and that makes it quicker easier and cheaper for you Our books have clear instructions and hundreds of photographs that show each step Whether you re a beginner or a pro you can save big with Haynes Step by step procedures Easy to follow photos Complete troubleshooting section Valuable short cuts Color spark plug diagnosis Complete coverage for your Chevrolet HHR for 2006 thru 2011 Routine Maintenance Tune up procedures Engine repair Cooling and heating Air Conditioning Fuel and exhaust Emissions control Ignition Brakes Suspension and steering Electrical systems Wiring diagrams *2009 Chevrolet HHR Owner Manual Compatible with OEM Owners Manual, Factory Glovebox Book*

Helming,2009-05-14 **How to Rebuild Big-Block Chevy Engines** Tom Wilson,1987 From workhorse to racehorse the big block Chevy provided the power demands of the mid 60s used in everything from medium duty trucks to Corvettes these engines are worth rebuilding Do it right with this book Clear concise text guides you through each engine rebuilding step Includes complete specifications and more than 500 photos drawings charts and graphs Covers troubleshooting parts reconditioning and engine assembly Tells you how to do a complete overhaul or a simple parts swap One whole chapter on parts identification tells how to interchange parts for improvised durability or performance Includes comprehensive specifications and casting numbers [2010 Chevrolet HHR Owner Manual Compatible with OEM Owners Manual, Factory Glovebox Book](#) Helming,2010-08-15 **Wiring Diagrams** Chevrolet Motor Company,1976 **Chevrolet Power** General

Motors Corporation. Chevrolet Motor Division, 1980

Uncover the mysteries within Crafted by is enigmatic creation, Discover the Intrigue in **2008 Chevrolet Hhr Engine Diagram** . This downloadable ebook, shrouded in suspense, is available in a PDF format (*). Dive into a world of uncertainty and anticipation. Download now to unravel the secrets hidden within the pages.

https://py.bijouxmedusa.com/book/Resources/Download_PDFS/Cambridge_English_Key_For_Schools_2_Self_Study_Pack_Students_Book_With_Answers_And_Audio_Cd_Authentic_Examination_Papers_From_Cambridge_Esol_Ket_Practice_Tests.pdf

Table of Contents 2008 Chevrolet Hhr Engine Diagram

1. Understanding the eBook 2008 Chevrolet Hhr Engine Diagram
 - The Rise of Digital Reading 2008 Chevrolet Hhr Engine Diagram
 - Advantages of eBooks Over Traditional Books
2. Identifying 2008 Chevrolet Hhr Engine Diagram
 - Exploring Different Genres
 - Considering Fiction vs. Non-Fiction
 - Determining Your Reading Goals
3. Choosing the Right eBook Platform
 - Popular eBook Platforms
 - Features to Look for in an 2008 Chevrolet Hhr Engine Diagram
 - User-Friendly Interface
4. Exploring eBook Recommendations from 2008 Chevrolet Hhr Engine Diagram
 - Personalized Recommendations
 - 2008 Chevrolet Hhr Engine Diagram User Reviews and Ratings
 - 2008 Chevrolet Hhr Engine Diagram and Bestseller Lists
5. Accessing 2008 Chevrolet Hhr Engine Diagram Free and Paid eBooks
 - 2008 Chevrolet Hhr Engine Diagram Public Domain eBooks
 - 2008 Chevrolet Hhr Engine Diagram eBook Subscription Services
 - 2008 Chevrolet Hhr Engine Diagram Budget-Friendly Options

6. Navigating 2008 Chevrolet Hhr Engine Diagram eBook Formats
 - ePub, PDF, MOBI, and More
 - 2008 Chevrolet Hhr Engine Diagram Compatibility with Devices
 - 2008 Chevrolet Hhr Engine Diagram Enhanced eBook Features
7. Enhancing Your Reading Experience
 - Adjustable Fonts and Text Sizes of 2008 Chevrolet Hhr Engine Diagram
 - Highlighting and Note-Taking 2008 Chevrolet Hhr Engine Diagram
 - Interactive Elements 2008 Chevrolet Hhr Engine Diagram
8. Staying Engaged with 2008 Chevrolet Hhr Engine Diagram
 - Joining Online Reading Communities
 - Participating in Virtual Book Clubs
 - Following Authors and Publishers 2008 Chevrolet Hhr Engine Diagram
9. Balancing eBooks and Physical Books 2008 Chevrolet Hhr Engine Diagram
 - Benefits of a Digital Library
 - Creating a Diverse Reading Collection 2008 Chevrolet Hhr Engine Diagram
10. Overcoming Reading Challenges
 - Dealing with Digital Eye Strain
 - Minimizing Distractions
 - Managing Screen Time
11. Cultivating a Reading Routine 2008 Chevrolet Hhr Engine Diagram
 - Setting Reading Goals 2008 Chevrolet Hhr Engine Diagram
 - Carving Out Dedicated Reading Time
12. Sourcing Reliable Information of 2008 Chevrolet Hhr Engine Diagram
 - Fact-Checking eBook Content of 2008 Chevrolet Hhr Engine Diagram
 - Distinguishing Credible Sources
13. Promoting Lifelong Learning
 - Utilizing eBooks for Skill Development
 - Exploring Educational eBooks
14. Embracing eBook Trends
 - Integration of Multimedia Elements

- Interactive and Gamified eBooks

2008 Chevrolet Hhr Engine Diagram Introduction

In today's digital age, the availability of 2008 Chevrolet Hhr Engine Diagram books and manuals for download has revolutionized the way we access information. Gone are the days of physically flipping through pages and carrying heavy textbooks or manuals. With just a few clicks, we can now access a wealth of knowledge from the comfort of our own homes or on the go. This article will explore the advantages of 2008 Chevrolet Hhr Engine Diagram books and manuals for download, along with some popular platforms that offer these resources. One of the significant advantages of 2008 Chevrolet Hhr Engine Diagram books and manuals for download is the cost-saving aspect. Traditional books and manuals can be costly, especially if you need to purchase several of them for educational or professional purposes. By accessing 2008 Chevrolet Hhr Engine Diagram versions, you eliminate the need to spend money on physical copies. This not only saves you money but also reduces the environmental impact associated with book production and transportation. Furthermore, 2008 Chevrolet Hhr Engine Diagram books and manuals for download are incredibly convenient. With just a computer or smartphone and an internet connection, you can access a vast library of resources on any subject imaginable. Whether you're a student looking for textbooks, a professional seeking industry-specific manuals, or someone interested in self-improvement, these digital resources provide an efficient and accessible means of acquiring knowledge. Moreover, PDF books and manuals offer a range of benefits compared to other digital formats. PDF files are designed to retain their formatting regardless of the device used to open them. This ensures that the content appears exactly as intended by the author, with no loss of formatting or missing graphics. Additionally, PDF files can be easily annotated, bookmarked, and searched for specific terms, making them highly practical for studying or referencing. When it comes to accessing 2008 Chevrolet Hhr Engine Diagram books and manuals, several platforms offer an extensive collection of resources. One such platform is Project Gutenberg, a nonprofit organization that provides over 60,000 free eBooks. These books are primarily in the public domain, meaning they can be freely distributed and downloaded. Project Gutenberg offers a wide range of classic literature, making it an excellent resource for literature enthusiasts. Another popular platform for 2008 Chevrolet Hhr Engine Diagram books and manuals is Open Library. Open Library is an initiative of the Internet Archive, a non-profit organization dedicated to digitizing cultural artifacts and making them accessible to the public. Open Library hosts millions of books, including both public domain works and contemporary titles. It also allows users to borrow digital copies of certain books for a limited period, similar to a library lending system. Additionally, many universities and educational institutions have their own digital libraries that provide free access to PDF books and manuals. These libraries often offer academic texts, research papers, and technical manuals, making them invaluable resources for students and researchers. Some notable examples include MIT OpenCourseWare,

which offers free access to course materials from the Massachusetts Institute of Technology, and the Digital Public Library of America, which provides a vast collection of digitized books and historical documents. In conclusion, 2008 Chevrolet Hhr Engine Diagram books and manuals for download have transformed the way we access information. They provide a cost-effective and convenient means of acquiring knowledge, offering the ability to access a vast library of resources at our fingertips. With platforms like Project Gutenberg, Open Library, and various digital libraries offered by educational institutions, we have access to an ever-expanding collection of books and manuals. Whether for educational, professional, or personal purposes, these digital resources serve as valuable tools for continuous learning and self-improvement. So why not take advantage of the vast world of 2008 Chevrolet Hhr Engine Diagram books and manuals for download and embark on your journey of knowledge?

FAQs About 2008 Chevrolet Hhr Engine Diagram Books

What is a 2008 Chevrolet Hhr Engine Diagram PDF? A PDF (Portable Document Format) is a file format developed by Adobe that preserves the layout and formatting of a document, regardless of the software, hardware, or operating system used to view or print it. **How do I create a 2008 Chevrolet Hhr Engine Diagram PDF?** There are several ways to create a PDF: Use software like Adobe Acrobat, Microsoft Word, or Google Docs, which often have built-in PDF creation tools. Print to PDF: Many applications and operating systems have a "Print to PDF" option that allows you to save a document as a PDF file instead of printing it on paper. Online converters: There are various online tools that can convert different file types to PDF. **How do I edit a 2008 Chevrolet Hhr Engine Diagram PDF?** Editing a PDF can be done with software like Adobe Acrobat, which allows direct editing of text, images, and other elements within the PDF. Some free tools, like PDFescape or Smallpdf, also offer basic editing capabilities. **How do I convert a 2008 Chevrolet Hhr Engine Diagram PDF to another file format?** There are multiple ways to convert a PDF to another format: Use online converters like Smallpdf, Zamzar, or Adobe Acrobats export feature to convert PDFs to formats like Word, Excel, JPEG, etc. Software like Adobe Acrobat, Microsoft Word, or other PDF editors may have options to export or save PDFs in different formats. **How do I password-protect a 2008 Chevrolet Hhr Engine Diagram PDF?** Most PDF editing software allows you to add password protection. In Adobe Acrobat, for instance, you can go to "File" -> "Properties" -> "Security" to set a password to restrict access or editing capabilities. Are there any free alternatives to Adobe Acrobat for working with PDFs? Yes, there are many free alternatives for working with PDFs, such as: LibreOffice: Offers PDF editing features. PDFsam: Allows splitting, merging, and editing PDFs. Foxit Reader: Provides basic PDF viewing and editing capabilities. How do I compress a PDF file? You can use online tools like Smallpdf, ILovePDF, or desktop software like Adobe Acrobat to compress PDF files without significant quality loss.

Compression reduces the file size, making it easier to share and download. Can I fill out forms in a PDF file? Yes, most PDF viewers/editors like Adobe Acrobat, Preview (on Mac), or various online tools allow you to fill out forms in PDF files by selecting text fields and entering information. Are there any restrictions when working with PDFs? Some PDFs might have restrictions set by their creator, such as password protection, editing restrictions, or print restrictions. Breaking these restrictions might require specific software or tools, which may or may not be legal depending on the circumstances and local laws.

Find 2008 Chevrolet Hhr Engine Diagram :

[cambridge english key for schools 2 self study pack students book with answers and audio cd authentic examination papers from cambridge esol ket practice tests](#)

cambridge primary test past papers grade 3

[cabasse auditorium tronic](#)

[campbell essential biology w physiology 4th edition](#)

[cambridge proficiency past papers listening](#)

[cambridge english for engineering](#)

[can you catch a mermaid](#)

calendar 2018 romania limba romana sarbatori lady 4 ladys

[calvin and hobbes the revenge of baby sat bill watterson](#)

[cartas para claudia jorge bucay shapkiore](#)

[cammino portoghese da porto a santiago](#)

[capitalism as religion walter benjamin heathwood press](#)

[cambridge international as level and a level physics teachers resource cd rom cambridge international examinations](#)

canon ef s 18 200mm repair manual parts list

[cambridge ielts 9 reading test 2 answer](#)

2008 Chevrolet Hhr Engine Diagram :

7 aplikasi absen online terbaik untuk karyawan - Dec 30 2022

web oct 12 2023 salah satu contoh program absensi online tersebut adalah bisa menggunakan aplikasi absensi online mekari talenta tentu saja disini akan dibagikan

10 aplikasi absensi karyawan terbaik untuk perusahaan - Dec 18 2021

aplikasi absen online untuk karyawan mekari talenta - Aug 26 2022

web jul 20 2022 aplikasi untuk absensi online karyawan bisa memudahkan perusahaan dalam pencatatan kehadiran dan juga manajemen karyawan berikut daftar aplikasinya

8 aplikasi absensi karyawan gratis paling - Jul 05 2023

dalam artikel ini kami akan menjelaskan fitur fitur utama dari aplikasi attendance manager aplikasi absensi gratis yang dapat diunduh melalui smartpone 1 timetracking dan see more

wajib tahu inilah aplikasi absensi terbaik di indonesia - Feb 17 2022

web aplikasi absensi karyawan sendiri kini kian menjamur beberapa di antaranya yang terbaik akan kami kami rekomendasikan di sini berikut adalah beberapa pilihan aplikasi

7 aplikasi untuk absensi online karyawan jadi lebih mudah - Jun 23 2022

web oct 24 2023 1 dapat diakses dari gawai pribadi aplikasi absensi karyawan dapat dihubungkan ke perangkat gawai pribadi masing masing karyawan dengan demikian

15 aplikasi absensi karyawan di android dan ios terbaik - May 03 2023

web feb 9 2021 1 aplikasi absensi memiliki tingkat akurasi pencatatan kinerja karyawan yang lebih baik dibandingkan apabila kamu mencatatnya secara manual di dokumen

10 aplikasi absensi kerja dan managemen karyawan - Aug 06 2023

dalam artikel ini kami akan menjelaskan fitur fitur utama dari aplikasi gaji id yang memungkinkan perusahaan untuk melakukan pengelolaan administrasi keuangan dan perencanaan anggaran gaji karyawan secara see more

10 rekomendasi aplikasi absensi online gratis - Nov 28 2022

web beberapa diantaranya yang terbaik sudah iteachandroid rangkum dalam artikel sebagai berikut 1 timer clock wizard aplikasi absensi karyawan berbasis web terbaik yaitu

top 12 aplikasi absensi karyawan berbasis web terbaik 100 - Sep 26 2022

web jul 21 2023 1 pencatatan absensi dan rekapitulasi data otomatis absensi online memudahkan pencatatan kehadiran secara otomatis menghilangkan risiko kesalahan

14 aplikasi absensi karyawan untuk perusahaan fitur lengkap - Jun 04 2023

dalam artikel ini kami akan menjelaskan fitur fitur utama dari aplikasi kodalog aplikasi absensi karyawan gratis yang dapat anda gunakan 1 aplikasi absensi karyawan gratis kodalog adalah aplikasi absensi karyawan see more

8 aplikasi absensi gratis dan fitur yang harus ada di - Mar 01 2023

web tentu saja penggunaannya akan memudahkan perusahaan khususnya dalam melakukan absensi terhadap karyawannya terlebih jika karyawan yang ada di perusahaan sudah

5 software absen karyawan terbaik yang perlu kamu ketahui - May 23 2022

web oct 21 2022 dari data absensi karyawan perusahaan dapat menghitung kompensasi seperti gaji dan tunjangan dengan lebih adil dan transparan contohnya absensi

5 template contoh absensi karyawan dan panduan lengkap - Mar 21 2022

web oct 22 2023 kehadiran berbagai sistem absensi di indonesia sangatlah membantu pengusaha untuk mencari dan menentukan sistem absensi seperti apa yang cocok

4 fitur wajib di aplikasi absensi karyawan manfaatnya - Apr 21 2022

web jun 13 2021 time clock wizard aplikasi absensi terbaik di indonesia yang pertama adalah time clock wizard aplikasi ini merupakan aplikasi buatan new york amerika

10 rekomendasi aplikasi absensi gratis perusahaanmu harus - Sep 07 2023

dalam artikel ini kami akan menjelaskan fitur fitur utama dari aplikasi clockify aplikasi absensi gratis yang dapat digunakan tanpa batasan jumlah karyawan 1 timesheet dan timetracker clockify see more

sistem absensi karyawan semakin mudah dengan aplikasi hadirr - Jan 19 2022

web feb 18 2022 rekomendasi aplikasi absensi terbaik 1 aplikasi absensi kerjoo layak dinobatkan sebagai aplikasi absensi terbaik aplikasi absensi kerjoo

7 aplikasi absensi karyawan online beserta - Apr 02 2023

web oct 6 2023 ada berbagai rekomendasi aplikasi absensi karyawan yang bisa perusahaan anda gunakan seperti absenku karyaone gadjian timetac dan clockify

11 aplikasi absensi online gratis android dan mobile app - Oct 28 2022

web aplikasi absen atau software absen merupakan sistem untuk mengelola absen karyawan perusahaan dan dapat diakses melalui berbagai jenis perangkat seperti android ios

5 rekomendasi aplikasi absensi online karyawan aqivehr - Jan 31 2023

web apr 22 2022 kebanyakan developer aplikasi absensi menerapkan sistem berlangganan bulanan dengan menawarkan paket yang beragam di dalamnya rekomendasi aplikasi

10 aplikasi absensi karyawan terbaik bagi bisnis anda - Jul 25 2022

web oct 7 2019 salah satu keuntungan yang kamu dapatkan adalah kemudahan pengelolaan absensi baik dari sisi database proses otomatis dan fleksibilitas dalam hal efisiensi

10 rekomendasi aplikasi absensi terbaik ada kerjoo - Nov 16 2021

30 aplikasi dengan fitur absensi online gratis berbayar di 2023 - Oct 08 2023

dalam artikel ini kami akan menjelaskan fitur fitur utama dari aplikasi time clock by homebase aplikasi absensi online yang dapat digunakan secara gratis 1 pengaturan gaji dan kontrol absensi time clock by homebase menyediakan fitur pengaturan gaji yang memudahkan perusahaan dalam see more

anneler ile kızları full hd izle star tv - Apr 15 2022

web erzieherinnen erzieher bisherige ausgabe zu allen bänden downloads zum ausbildungsbegleitheft einzellizenz

erzieherinnen erzieher lehrermaterial für unterricht und - Aug 20 2022

web oct 14 2023 3 sınıf türkçe ders kitabı sonuç yayınları meb pdf indir 2023 2024 eba türkçe kitabı indir ogm kimyadenizi ekim 14 2023 3 sınıf türkçe ders kitabı pdf

kütüphaneler haftası 2022 anasayfa - Jun 17 2022

web 2022 2023 türkçe yazılı sınav soruları ve konuları aşağıda listelenmiştir 5 sınıf 6 sınıf 7 sınıf ve 8 sınıf için türkçe dersi 1 dönem ve 2 dönem tüm yazılı sorularına aşağıdaki

erzieherinnen erzieher zum prüfungswissen 2 erweiterte - Jan 13 2022

erzieherinnen erzieher zu allen bänden prüfungswissen - Nov 22 2022

web erzieherinnen erzieher bisherige ausgabe zu allen bänden zum prüfungswissen 2 erweiterte auflage lösungen einzellizenz

erzieherinnen erzieher bisherige ausgabe zu allen bänden - Sep 20 2022

web anasayfa kütüphaneler haftası 2022 bir kitabın var mı Şiiri boyamalı 3 boyutlu kütüphane etkinliği kütüphaneler haftası pano yazısı 2 a4 kütüphaneler haftası pano

erzieherinnen erzieher 01 fachbuch vorschule schulbuch - Nov 10 2021

erzieherinnen erzieher zu allen ausgaben amazon de - Jul 31 2023

web erzieherinnen erzieher aktuelle ausgabe zu allen bänden arbeitsheft und prüfungswissen im paket 2018 isbn 9783064517769 professionelle

erzieherinnen erzieher zu allen ausgaben und - Sep 01 2023

web erzieherinnen erzieher zu allen ausgaben zu allen bänden kernbegriffe und konzepte handbuch gebundene ausgabe 3 september 2021 von michael

erzieherinnen erzieher bisherige ausgabe zu allen bänden - Oct 22 2022

web erzieherinnen erzieher begleitet modern und professionell durch alle lernfelder des bundeseinheitlichen

rahmenlehrplans der fachschulen für sozialpädagogik das

erzieherinnen erzieher bisherige ausgabe zu allen bänden - Feb 23 2023

web erzieherinnen erzieher zu allen bänden prüfungswissen schülerbuch von caroline grybeck claudia schubert ariane kromat

türkçe ders kitabı pdf indir 1 2 3 4 5 6 7 8 sınıf meb eba - May 17 2022

web erzieherinnen erzieher prüfungswissen kompaktwissen und prüfungsvorbereitung schulbuch zu allen bänden

9783064519145 jetzt bestellen cornelsen verlag magazin

erzieherinnen erzieher zu allen bänden ab 45 75 - May 29 2023

web jul 8 2021 erzieherinnen erzieher zu allen ausgaben zu allen bänden sozialpädagogisches handeln in ganztagschule und hort schulbuch als e book mit

erzieherinnen erzieher prüfungswissen kompaktwissen und - Feb 11 2022

web erzieherinnen erzieher 01 fachbuch silvia gartinger claudia witzlau amelie ruff patricia kröber susanne baum schulbuch gebundene ausgabe 51 25 inkl gesetzl

erzieherinnen erzieher zu allen bänden - Jun 29 2023

web produkterinnerung informationen zur reihenausgabe die erfolgreiche lehrwerkreihe erzieherinnen erzieher geht in die nächste runde noch aktueller mit erweiterten

erzieherinnen erzieher band 2 professionelles - Dec 24 2022

web erzieherinnen erzieher bisherige ausgabe zu allen bänden ausbildungsbegleitheft arbeitsheft scharringhausen ruth lambertz martina ribic bianca isbn

erzieherinnen erzieher 02 fachbuch vorschule schulbuch - Dec 12 2021

erzieherinnen erzieher bisherige ausgabe zu allen bänden - Jan 25 2023

web erzieherinnen erzieher bisherige ausgabe zu allen bänden fachbücher im paket gartinger silvia janssen rolf gartinger silvia ruff amelie witzlau claudia kröber

türkçe yazılı soruları ve türkçe yazılı konuları 2022 2023 - Mar 15 2022

web bundesländer alle bundesländer weitere details weitere bände von erzieherinnen erzieher bisherige ausgabe arbeitsheft ruth scharringhausen erzieherinnen

erzieherinnen erzieher zu allen bänden bücher de - Apr 27 2023

web jan 15 2015 das neue lehrwerk erzieherinnen erzieher modern und an den lernfeldern des bundeseinheitlichen rahmenlehrplans für die fachschulen für

erzieherinnen erzieher cornelsen - Oct 02 2023

web erzieherinnen erzieher zu allen ausgaben und bänden kernbegriffe und konzepte handbuch von michael bruseberg
mareike burkhardt stephanie holland manuela rosche

erzieherinnen erzieher kernbegriffe und konzepte - Mar 27 2023

web erzieherinnen erzieher bisherige ausgabe zu allen bänden arbeitsheft und prüfungswissen im paket isbn 9783064517769
kostenloser versand für alle bücher

erzieherinnen erzieher bisherige ausgabe zu allen bänden - Jul 19 2022

web anneler İle kizlari farklı şehirlerde farklı hayatlar yaşayan bu iki kadının dünyası aynı gece altüst olur İkisi için de artık hiçbir şey eskisi gibi olmayacaktır yapımcı ntc

limba germană exerciții de gramatică și vocabular editura - Apr 30 2022

web exercitii de gramatica si vocabular se adreseaza celor ce vor sa isi perfectioneze cunostintele practice de limba germana si poate fi folosita ca material auxiliar in paralel cu orice manual sau curs teoretic exercitiile vizeaza cele mai importante aspecte de gramatica si de vocabular si ajuta la formarea unor reflexe de exprimare corecta

gramatica limbii germane teorie si exercitii taschenbuch amazon de - Nov 06 2022

web gramatica limbii germane teorie si exercitii olaru constantin isbn 9786069269374 kostenloser versand für alle bücher mit versand und verkauf duch amazon

gramatica limbii germane teorie si exercitii constantin olaru - May 12 2023

web gramatica limbii germane teorie si exercitii constantin olaru 9786069269374 libris livrare gratuita peste 135 de lei economiseste cu puncte de fidelitate citeste cateva pagini inainte de a cumpara cartile

germana pentru toti teste online - Jul 02 2022

web un site prin care vrem sa venim in ajutorul celor care doresc sa invete limba germana cu multe sfaturi explicatii si exemple din limba germana teste online in constructie fiecare test are cate 10 exercitii succes verbe 1 conjugare verbe 1 verbe 2 conjugare verbe 2 verbe 3 conjugare verbe 3

gramatica limbii germane teorie si exercitii copy - Jan 28 2022

web 2 gramatica limbii germane teorie si exercitii 2019 08 26 gramatica limbii germane teorie si exercitii raspunde celor mai importante intrebari referitoare la gramatica limbii germane intr o forma clara si usor de retinut adresandu se atat incepatorilor cat si avansatilor care doresc sa si imbogateasca sau sa si improspateze

gramatica limbii germane teorie si exercitii pdf scribd - Jun 13 2023

web se intdmpld adesea ca un substantiy masculin sau neutru tn limba romdnd sd fie de genul femintn tn limba germannd sau dimponivd ca un substantiv feminin tn limba romdnd sd fie masculin sau neutru in germannd deci va trebui sd se tnvele

tlecare substantiv nou tmpreund cu articolul lui

[gramatica limbii germane teorie si exercitii Învață germană](#) - Feb 09 2023

web gramatica limbii germane teorie si exercitii de constantin olaru cartea raspunde celor mai importante intrebari referitoare la gramatica limbii germane intr o forma clara si usor de retinut adresandu se atat incepatorilor cat si avansatilor

[gramatica limbii germane gramatica germana](#) - Apr 11 2023

web gramatica limbii germane exemple traduceri declinari conjugari exercitii etc gramatica germana pronuntie invatati sa identificati genurile substantivelor invatati despre articolul hotarat der die das invatati sa declinati adjective declinati articolul hotarat aflat cum devine der dem sau die der

descrierea olaru gramatica limbii germane libris ro - Jul 14 2023

web cuprins 1 articolul der artiket 2 substantivul das substantiv 3 adjectivtl das adjektiv 4 pronumele das pronomen 5 numeralul das numerale 6 verbul das verb 7 adverbul das adverb 8 prepozitia die preciposition 9 conjunc ia die konj unktion 10 interj ec ia die interj ekti on rdspunsuri 7 28 77 113 t4r t49 216 225

[gramatica limbii germane teorie si exercitii amazon com tr](#) - Aug 15 2023

web gramatica limbii germane teorie si exercitii olaru constantin amazon com tr kitap

gramatica limbii germane teorie si exercitii lynda a baloche - Dec 27 2021

web kindly say the gramatica limbii germane teorie si exercitii is universally compatible with any devices to read parallel distributed processing psychological and biological models david e rumelhart 1986

buy gramatica limbii germane teorie si exercitii books online at - Aug 03 2022

web searching for gramatica limbii germane teorie si exercitii books online by constantin olaru visit bookswagon for all kinds of related books save upto 50 off free shipping cash on delivery

gramatica limbii germane teorie si exercitii by constantin olaru - Feb 26 2022

web jun 8 2023 gramatica limbii germane teorie si exercitii raspunde celor mai importante intrebari referitoare la gramatica limbii germane intr o forma clara si usor de retinut adresandu se atat incepatorilor cat si avansatilor care doresc sa si imbogateasca sau sa si improspateze cunostintele de limba germana

exerciții de limba germană gratuite goethe institut românia - Sep 04 2022

web Învațăm limba germană împreună gratuit căutați conținuturi didactice în funcție de nivelul de limbă și subiectul dorit și adăugați le la listele dumneavoastră proprii de învățare pe forum puteți primi sugestii de învățare și interacționa cu alți utilizatori

[gramatica limbii germane top 20 întrebări pentru incepatori](#) - Jun 01 2022

web oct 30 2019 iată mai jos douăzeci de întrebări frecvente despre această limbă 1 este gramatica limbii germane chiar

atât de grea toată lumea care învață germană a fost întrebat sau va fi întrebat la un moment dat de cineva e grea germana asta nu ei bine răspunsul e adesea monosilabic un da sau un nu ambele politicoase

[gramatica limbii germane teorie si exercitii goodreads](#) - Mar 10 2023

web sep 26 2016 5 00 1 rating0 reviews gramatica limbii germane teorie si exercitii raspunde celor mai importante intrebari referitoare la gramatica limbii germane intr o forma clara si usor de retinut adresandu se atat incepatorilor cat si avansatilor care doresc sa si imbogateasca sau sa si improspateze cunostintele de limba germana

[german grammar with rules and interactive exercises lingolia](#) - Mar 30 2022

web learn german grammar online with lingolia our complete grammar explanations make learning german easy learn the most important rules and their exceptions and master verb conjugation in various tenses with hundreds of interactive exercises for beginners through to advanced german learners you can practise what you have learnt and master the

37290303 gramatica practica a limbii germane archive org - Jan 08 2023

web dec 12 2017 37290303 gramatica practica a limbii germane topics deutsch collection opensource deutsch addeddate 2017 12 12 06 04 59 identifier

[carti de exercitii texte germana librariaonline ro](#) - Oct 05 2022

web limba germana exercitii de gramatica si vocabular editia a xvi a de balas orlando cartea se adreseaza celor ce doresc sa si perfectioneze cunostintele practice de limba germana si poate fi folosita ca material auxiliar in paralel cu orice manual sau curs teoretic

[gramatica limbii germane teorie si exercitii paperback](#) - Dec 07 2022

web buy gramatica limbii germane teorie si exercitii by olaru constantin online on amazon ae at best prices fast and free shipping free returns cash on delivery available on eligible purchase