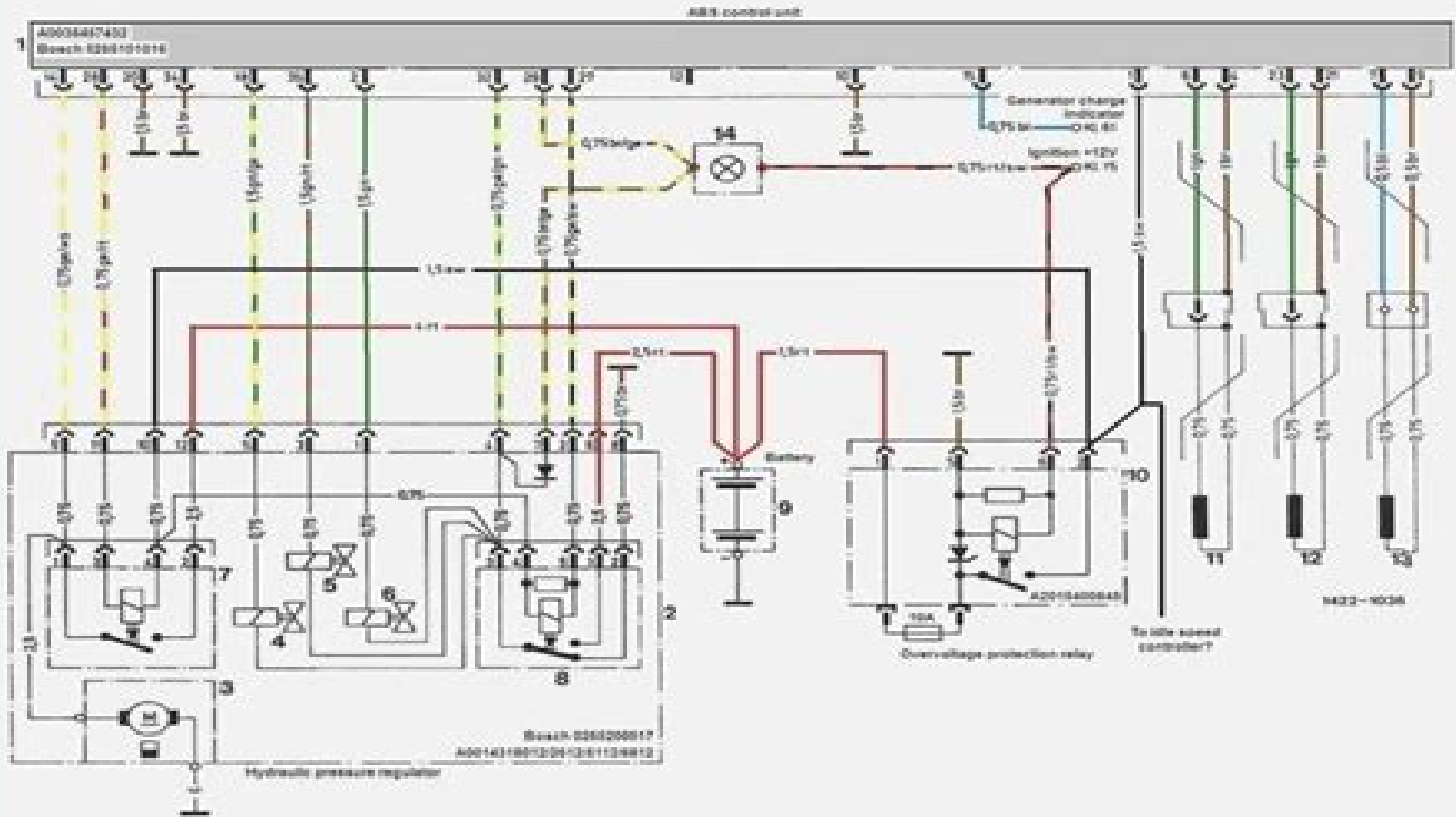


# ABS wiring diagram



- 1 Electronic control unit
- 2 Hydraulic unit
- 3 Return pump motor
- 4 Solenoid valve for rear axle
- 5 Solenoid valve for front axle, right
- 6 Solenoid valve for front axle, left
- 7 Relay for return pump motor
- 8 Relay for solenoid valves
- 9 Battery

- 10 Overvoltage protection relay, also for idle speed control
- 11 Left front wheel speed sensor
- 12 Right front wheel speed sensor
- 13 Rear wheels speed sensor
- 14 ABS warning lamp

# 230e Wiring Diagram

**J Rink**



## 230e Wiring Diagram:

Wireless CMOS Frequency Synthesizer Design J. Craninckx, Michiel Steyaert, 2013-06-29 The recent boom in the mobile telecommunication market has trapped the interest of almost all electronic and communication companies worldwide New applications arise every day more and more countries are covered by digital cellular systems and the competition between the several providers has caused prices to drop rapidly The creation of this essentially new market would not have been possible without the appearance of small low power high performant and certainly low cost mobile terminals The evolution in microelectronics has played a dominant role in this by creating digital signal processing DSP chips with more and more computing power and combining the discrete components of the RF front end on a few ICs This work is situated in this last area i e the study of the full integration of the RF transceiver on a single die Furthermore in order to be compatible with the digital processing technology a standard CMOS process without tuning trimming or post processing steps must be used This should flatten the road towards the ultimate goal the single chip mobile phone The local oscillator LO frequency synthesizer poses some major problems for integration and is the subject of this work The first and also the largest part of this text discusses the design of the Voltage Controlled Oscillator VCO The general phase noise theory of LC oscillators is presented and the concept of effective resistance and capacitance is introduced to characterize and compare the performance of different LC tanks

Electro-technology Stanley A. Dennis, Leon Irving Thomas, 1961 *Electrical Manufacturing*, 1959  
**European Business and Industry**, 1990 **Electro Technology Newsletter** Stanley A. Dennis, Leon Irving Thomas, 1959 *Engineering Record, Building Record and Sanitary Engineer* Henry Coddington Meyer, Charles Frederick Wingate, 1898 McGraw Hill's National Electrical Safety Code (NESC) 2023 Handbook David J. Marne, John A. Palmer, 2023-02-04 Up to date rule by rule clarification of the requirements in the 2023 NESC Designed to be used alongside the code itself McGraw Hill's National Electrical Safety Code NESC 2023 Handbook has been fully updated to reflect the changes in the 2023 NESC You will gain access to straightforward ready to apply code clarification enabling you to work safely and efficiently and achieve full compliance The book offers concise summaries of complicated and confusing issues as well as hundreds of diagrams photos and practical examples **COVERAGE INCLUDES** General Sections Introduction definitions references grounding methods Safety Rules for the Installation and Maintenance of Electric Supply Stations and Equipment Purpose and scope protective arrangements installation and maintenance rotating equipment storage batteries transformers and regulators conductors circuit breakers and other equipment switchgear photovoltaic generating stations Safety Rules for the Installation and Maintenance of Overhead Electric Supply and Communication Lines Purpose and scope general requirements classes of lines and equipment clearances grades of construction structural loadings strength requirements line insulation Safety Rules for the Installation and Maintenance of Underground Electric Supply and Communication Lines Purpose and scope general requirements underground conduit systems supply cable cable in

underground structures direct buried cable and cable in duct risers terminations equipment installation in tunnels Work Rules for the Operation of Electric Supply and Communication Lines and Equipment Purpose and scope employer rules employee rules additional rules for communication employees additional rules for supply employees *Electromechanical Components and Design* ,1964 **British Communications and Electronics** ,1964 **The Pastoral Review and Graziers' Record** ,1946 Ceramic Abstracts ,1967 **Mercedes W123 Owners Workshop Manual 1976-1986** Bentley Publishers,1998-01-01 This Mercedes Benz W123 service manual contains technical data maintenance procedures and service information It details service procedures such as engine oil changing engine removal carburetor and fuel injection tuning and cleaning adjusting valves bleeding brakes and clutch and suspension repair In addition to Mercedes Benz repair information the manual contains electrical wiring diagrams Models included in this Mercedes Benz repair manual Mercedes Benz 200 Mercedes Benz 230 Mercedes Benz 230E Mercedes Benz 250 Mercedes Benz 280 Mercedes Benz 280E Note This Mercedes workshop manual covers W123 models sold in Germany and the rest of the world While some systems and procedures do cross over worldwide this manual is not intended to fully cover Mercedes Benz models sold in the US or Canada **School Management and School and College Supply and Equipment News** ,1940 School and College Management ,1940 **Encyclopedia Americana** ,1965 *The Encyclopedia Americana* ,1970 **Power Wiring Diagrams** A. T. Dover,1917 Wiring Diagrams for Light and Power Edwin P. Anderson,1970 **Modern Wiring Diagrams and Descriptions** Henry Charles Horstmann,Victor Hugo Tousley,1918 Electric-wiring Diagrams R. H. Ladley,1967

## The Enigmatic Realm of **230e Wiring Diagram**: Unleashing the Language is Inner Magic

In a fast-paced digital era where connections and knowledge intertwine, the enigmatic realm of language reveals its inherent magic. Its capacity to stir emotions, ignite contemplation, and catalyze profound transformations is nothing in short supply of extraordinary. Within the captivating pages of **230e Wiring Diagram** a literary masterpiece penned by a renowned author, readers set about a transformative journey, unlocking the secrets and untapped potential embedded within each word. In this evaluation, we shall explore the book's core themes, assess its distinct writing style, and delve into its lasting affect the hearts and minds of those who partake in its reading experience.

<https://py.bijouxmedusa.com/results/Resources/HomePages/industrial%20engineering%20production%20management%20by%20banga.pdf>

### **Table of Contents 230e Wiring Diagram**

1. Understanding the eBook 230e Wiring Diagram
  - The Rise of Digital Reading 230e Wiring Diagram
  - Advantages of eBooks Over Traditional Books
2. Identifying 230e Wiring Diagram
  - Exploring Different Genres
  - Considering Fiction vs. Non-Fiction
  - Determining Your Reading Goals
3. Choosing the Right eBook Platform
  - Popular eBook Platforms
  - Features to Look for in an 230e Wiring Diagram
  - User-Friendly Interface
4. Exploring eBook Recommendations from 230e Wiring Diagram
  - Personalized Recommendations
  - 230e Wiring Diagram User Reviews and Ratings

- 230e Wiring Diagram and Bestseller Lists
- 5. Accessing 230e Wiring Diagram Free and Paid eBooks
  - 230e Wiring Diagram Public Domain eBooks
  - 230e Wiring Diagram eBook Subscription Services
  - 230e Wiring Diagram Budget-Friendly Options
- 6. Navigating 230e Wiring Diagram eBook Formats
  - ePub, PDF, MOBI, and More
  - 230e Wiring Diagram Compatibility with Devices
  - 230e Wiring Diagram Enhanced eBook Features
- 7. Enhancing Your Reading Experience
  - Adjustable Fonts and Text Sizes of 230e Wiring Diagram
  - Highlighting and Note-Taking 230e Wiring Diagram
  - Interactive Elements 230e Wiring Diagram
- 8. Staying Engaged with 230e Wiring Diagram
  - Joining Online Reading Communities
  - Participating in Virtual Book Clubs
  - Following Authors and Publishers 230e Wiring Diagram
- 9. Balancing eBooks and Physical Books 230e Wiring Diagram
  - Benefits of a Digital Library
  - Creating a Diverse Reading Collection 230e Wiring Diagram
- 10. Overcoming Reading Challenges
  - Dealing with Digital Eye Strain
  - Minimizing Distractions
  - Managing Screen Time
- 11. Cultivating a Reading Routine 230e Wiring Diagram
  - Setting Reading Goals 230e Wiring Diagram
  - Carving Out Dedicated Reading Time
- 12. Sourcing Reliable Information of 230e Wiring Diagram
  - Fact-Checking eBook Content of 230e Wiring Diagram
  - Distinguishing Credible Sources

13. Promoting Lifelong Learning
  - Utilizing eBooks for Skill Development
  - Exploring Educational eBooks
14. Embracing eBook Trends
  - Integration of Multimedia Elements
  - Interactive and Gamified eBooks

### **230e Wiring Diagram Introduction**

230e Wiring Diagram Offers over 60,000 free eBooks, including many classics that are in the public domain. Open Library: Provides access to over 1 million free eBooks, including classic literature and contemporary works. 230e Wiring Diagram Offers a vast collection of books, some of which are available for free as PDF downloads, particularly older books in the public domain. 230e Wiring Diagram : This website hosts a vast collection of scientific articles, books, and textbooks. While it operates in a legal gray area due to copyright issues, its a popular resource for finding various publications. Internet Archive for 230e Wiring Diagram : Has an extensive collection of digital content, including books, articles, videos, and more. It has a massive library of free downloadable books. Free-eBooks 230e Wiring Diagram Offers a diverse range of free eBooks across various genres. 230e Wiring Diagram Focuses mainly on educational books, textbooks, and business books. It offers free PDF downloads for educational purposes. 230e Wiring Diagram Provides a large selection of free eBooks in different genres, which are available for download in various formats, including PDF. Finding specific 230e Wiring Diagram, especially related to 230e Wiring Diagram, might be challenging as theyre often artistic creations rather than practical blueprints. However, you can explore the following steps to search for or create your own Online Searches: Look for websites, forums, or blogs dedicated to 230e Wiring Diagram, Sometimes enthusiasts share their designs or concepts in PDF format. Books and Magazines Some 230e Wiring Diagram books or magazines might include. Look for these in online stores or libraries. Remember that while 230e Wiring Diagram, sharing copyrighted material without permission is not legal. Always ensure youre either creating your own or obtaining them from legitimate sources that allow sharing and downloading. Library Check if your local library offers eBook lending services. Many libraries have digital catalogs where you can borrow 230e Wiring Diagram eBooks for free, including popular titles. Online Retailers: Websites like Amazon, Google Books, or Apple Books often sell eBooks. Sometimes, authors or publishers offer promotions or free periods for certain books. Authors Website Occasionally, authors provide excerpts or short stories for free on their websites. While this might not be the 230e Wiring Diagram full book , it can give you a taste of the authors writing style. Subscription Services Platforms like Kindle Unlimited or Scribd offer subscription-based access to a wide range of 230e Wiring Diagram eBooks, including some popular titles.

## FAQs About 230e Wiring Diagram Books

How do I know which eBook platform is the best for me? Finding the best eBook platform depends on your reading preferences and device compatibility. Research different platforms, read user reviews, and explore their features before making a choice. Are free eBooks of good quality? Yes, many reputable platforms offer high-quality free eBooks, including classics and public domain works. However, make sure to verify the source to ensure the eBook credibility. Can I read eBooks without an eReader? Absolutely! Most eBook platforms offer web-based readers or mobile apps that allow you to read eBooks on your computer, tablet, or smartphone. How do I avoid digital eye strain while reading eBooks? To prevent digital eye strain, take regular breaks, adjust the font size and background color, and ensure proper lighting while reading eBooks. What the advantage of interactive eBooks? Interactive eBooks incorporate multimedia elements, quizzes, and activities, enhancing the reader engagement and providing a more immersive learning experience. 230e Wiring Diagram is one of the best book in our library for free trial. We provide copy of 230e Wiring Diagram in digital format, so the resources that you find are reliable. There are also many Ebooks of related with 230e Wiring Diagram. Where to download 230e Wiring Diagram online for free? Are you looking for 230e Wiring Diagram PDF? This is definitely going to save you time and cash in something you should think about.

### Find 230e Wiring Diagram :

[industrial engineering production management by banga](#)

**introduction to hydraulics hydrology 4th edition**

[imaginative writing 4th edition](#)

[imagine john lennon piano sheet music full online](#)

**interest rate swaps and their derivatives a practitioners**

*interviewing for social scientists*

**incendie wajdi mouawad livre**

*information systems today managing in the digital world*

[introduction to communication systems 3rd edition](#)

*interchange 3 fourth edition student answer key*

*instructor web sat vocabulary lesson 3 answers*

*introduction to engineering modeling and problem solving*

[introduction to chemical engineering thermodynamics solution](#)

introduction to econometrics stock watson 2nd edition solutions  
industrial attachment report faculty of engineering

### 230e Wiring Diagram :

management research request pdf - May 02 2023

web jan 1 2008 mark easterby smith lancaster university richard thorpe paul jackson andy lowe researchology download  
 citation abstract a phenomenal success from its first publication this new edition

*management research an introduction google books* - Jun 03 2023

web jul 29 1991 written specifically for management students and others wishing to do research in management this  
 textbook is a highly accessible introduction to the practice and principles of management

pdf management and business research 5th edition by mark easterby - Jul 24 2022

web the international journal of accounting joseph f hair arthur h money mike page and phillip samouel editors research  
 methods for business john wiley sons west sussex england 2007 448 pages 31 99 48 00 66 41 isbn 978 0 470 03404 0

**management research an introduction request pdf** - Mar 20 2022

web jan 1 2002 research paradigms are important and valuable in creating new knowledge as they help in clarifying the  
 appropriate research design to undertake within a study easterby smith et al 2003

management and business research online resources - Feb 16 2022

web answer to exercises let you check your understanding of the content in the book practical resources and templates  
 including research plan canvasses literature review templates interactive graphs and r tutorials sage research

**management and business research 6th ed by mark easterby** - Aug 05 2023

web may 14 2020 management and business research 6th ed by mark easterby smith richard thorpe paul r jackson and lena  
 j jaspersen los angeles ca sage 2018 440 pp 120 hbk isbn 978 1 5264 2479 2 40 pbk isbn 978 1 5264 2479 8 action learning  
 research and practice vol 17 no 2

*management research mark easterby pdf qualitative research* - May 22 2022

web management research mark easterby free ebook download as pdf file pdf text file txt or read book online for free in this  
 fourth edition we use full colour and have added more boxed examples from our own experiences and from those of our  
 students we have rethought some of the material on philosophy and research design and have

**management research an introduction semantic scholar** - Sep 25 2022

web jul 29 1991 management research an introduction m easterby smith r thorpe a lowe published 29 july 1991 business  
*management and business research mark easterby smith* - Dec 29 2022

web apr 28 2018 management and business research mark easterby smith richard thorpe paul r jackson lena j jaspersen  
sage publications apr 28 2018 business economics 464 pages get 24 months free

*management research mark easterby smith richard thorpe* - Nov 27 2022

web management and business research 147 85 14 only 2 left in stock more on the way electronic inspection copy available  
for instructors here now in its fourth edition this much loved text offers theoretical and philosophical depth without  
sacrificing what you need to know in practical terms with an impressive suite of in text features

**management research an introduction easterby smith mark** - Aug 25 2022

web 172 pages 23 cm this second edition of the best selling management research has been completely rewritten to include  
new kinds of problems being encountered in management research and to incorporate the substantial methodological  
developments that have taken place over the last ten years

management sage publications ltd - Feb 28 2023

web 00 easterby smith 7e fm indd 11 15 03 2021 3 16 04 pm xii about the authors management research 2013 in the sage a  
very short fairly interesting and reasonably cheap book about series and a guide to professional doctorates in business and  
management sage 2015 he was president of the british academy of management

**management research sage publications inc** - Jan 30 2023

web six new chapters on reviewing the field designing management research ethics action research gathering and analysing  
qualitative and quantitative data and writing up expanded coverage of quantitative methods for a balanced treatment of  
quantitative and qualitative approaches

**management and business research sage** - Jul 04 2023

web serve to guide my research and help me stay focused see figure 1 1 example 1 1 examples real management and  
business research examples are highlighted in these boxes to show you how research happens in reality 00 easterby smith  
bab1410b0222 prelims indd 17 3 24 2015 5 54 00 pm

**management research easterby smith mark thorpe richard** - Oct 27 2022

web may 2 2012 richard thorpe management research fourth edition by mark easterby smith author richard thorpe author 1  
more 4 2 65 ratings see all formats and editions paperback 9 93 29 00 21 used from 3 99 1 new from 29 00 mass market  
paperback 44 85 93 52 5 used from 44 85 1 new from 93 52 there is a newer

**management research mark easterby smith richard thorpe** - Apr 20 2022

web book management research mark easterby smith richard thorpe and paul jackson mark easterby smith richard thorpe  
paul r jackson published in 2012 in los angeles london by sage

**management and business research 7th edition request pdf** - Sep 06 2023

web request pdf on apr 24 2021 mark easterby smith and others published management and business research 7th edition  
find read and cite all the research you need on researchgate

*management research mark easterby smith richard thorpe* - Oct 07 2023

web apr 3 2012 management research mark easterby smith richard thorpe paul r jackson google books mark easterby smith  
richard thorpe paul r jackson sage apr 3 2012 business economics 392

**management research an introduction easterby smith** - Jun 22 2022

web starting management research 1 introduction to management research 2 the ingredients of successful research pt 2  
designing management research 3 the philosophy of research design 4 the politics of management research pt 3 doing  
management research 5 qualitative methods 6 quantitative methods 7

**management research mark easterby smith richard thorpe** - Apr 01 2023

web mar 17 2008 mark easterby smith richard thorpe and paul jackson three highly experienced management researchers  
give practical guidance to help students to conduct management research as well as

[allowance letters letters in english](#) - Feb 26 2022

web apr 14 2022 request letter for fuel allowance sample letter requesting fuel allowance from company

*request for fuel allowance to company employer* - Jul 14 2023

web want to write a request for fuel allowance to the company we are providing you with sample email letter and application  
templates to ask for fuel allowance from the employer we will be adding a few example letters but if you need a new or  
custom letter template please let us know in the comments

**how write monthly fuel allowance request letter to manager** - Jul 02 2022

web letter request guide for fuel addition allowance from type your name here type your title or position working department  
to your addressee s name title or position your company name

[request for fuel allowance to company employer](#) - Mar 10 2023

web want to write a request with fuel allowance to an corporate are are providing you with sample email letter and  
application books to ask for fuel fee from the employer we will be adding a few example letters nevertheless if it need a new  
or custom letter template please let us know in the comments

**how to write a letter to the company to request a fuel allowance** - Mar 30 2022

web first paragraph i am writing to request a salary allowance of state specifics for the allowance you are requesting second  
paragraph give the facts and information supporting your request facts only don t use emotional

**fuel allowance documentshub com** - Dec 27 2021

web subject request letter for increase in fuel allowance respected sir i am writing this letter to you today to request an

increase in my fuel allowance that the company provides me as my job prerequisite as i work as your inspection manager  
*request letter for fuel allowance letters in english* - Aug 15 2023

web jul 14 2021 sample letter to your company requesting for petrol allowance fuel allowance request letter to your company sample template sample request letter for petrol allowance request letter for petrol allowance from the company request letter for diesel allowance sample request letter for gas allowance

**request for fuel allowance to company employer semioffice com fuel** - Oct 05 2022

web want to write a request for fuel allowance to the company us are providing thou with sample email letter and application templates to ask for fuel allowance from the employment we want be adding ampere few example letters but if thee need a new or customizing letter template bitte hire use know in and comments

**petrol allowance letter to general manger ask me fast** - Jan 28 2022

web hello dear you can use the below draft of the mail dear i would like your approval permission to provide me an additional fuel allowance because there of mention the emergency reason situation why you will be

**request letter for allowance template sample examples fuel allowance** - Nov 06 2022

web mar 3 2020 a call letter for allowance your applicable when the company has a policy that manages allowance or the employer has made such arrangements get is a formal document the notify the employer that you are eligible for einen allowance based on the current circumstances

**how write monthly fuel allowance request letter to manager** - Apr 30 2022

web quick steps to complete and e sign fuel allowance request letter sample online use get form or simply click on the template preview to open it in the editor

**request letter for allowance template sample examples** - Feb 09 2023

web mar 3 2020 when you have no idea wie to post an allowance request letter check outward our liberate request letter for allowance sample that yours can use to tailor a professional and convincing letter to your employer request letter for petrol allowance from society pdf book

**application for fuel allowance increment semioffice com** - Dec 07 2022

web sample application for requesting fuel allowance from the company the manager supervisor writes this application for a recommendation of fuel allowance of subordinates fuel allowance increment application respected gm this application is to request an increment in fuel allowance

request for fuel allowance to company employer - Apr 11 2023

web request for fuel allowance to company company name address city item request for monthly fuel allowance sweetheart sir madam i want to notify you that increasing fuel prices are affecting my everyday life in recent months fuel costs and

usage are growing at my job due to traveling for job tasks which includes both feed price and daily  
[request letter for allowance template sample examples request](#) - Jan 08 2023

web mar 3 2020 an request letter for allowance is applicable when the corporate has a rule such manages allowance or the employer does made such arrangements this is a formal document to notify your employer that you are eligible for an allowance supported on the current circumstances

[request for fuel allowance to company employer](#) - May 12 2023

web i am writing to formally request a fuel allowance to cover the expenses incurred during my business related travel on behalf of company name in my role as your position i frequently undertake business trips that require significant travel by car  
[fuel allowance request letter format sample ask me fast](#) - Jun 01 2022

web here is your sample request letter just change your subject we kindly notify you that we are requesting the bank to close our account at your branch account holders name account type stated herein is the number of my unused check bearing a sum of amount with a check number of control number

[request letter for allowance template sample examples](#) - Jun 13 2023

web mar 3 2020 a request letter for allowance is applicable when the company has a policy that manages allowance or the employer has made such arrangements this is a formal document to notify your employer that you are eligible for an allowance based on the current circumstances

[request letter for allowance template sample examples request](#) - Aug 03 2022

web mar 3 2020 under such arrangements the employee can writer ampere request letter for allowance this letter is adressierung to who employer or the relevancy authority responsible for making payments fill wherewith write monthly fuel granting request letter to company edit online

[request for fuel allowance to company employer oobello com](#) - Sep 04 2022

web sincerely yours your name claim for fuel allowance up company company name address choose subject request for monthly fuel allowance dear sir madam me want to notify you this increasing fuels prices become influential my daily life in recent months fuel costs and usage are growings at my job due to traveling for job tasks

[kubota wsm rck60r f36 manuals manualslib](#) - Jun 12 2023

web we have 2 kubota wsm rck60r f36 manuals available for free pdf download workshop manual operator s manual kubota wsm rck60r f36 workshop manual 315 pages brand kubota category lawn mower size 11 35 mb

**kubota tractor rck60 30b a oem parts kubota tractor** - Apr 29 2022

web shop our large selection of kubota tractor rck60 30b a oem parts original equipment manufacturer parts and more online or call at 888 458 2682

[kubota rck60b 23bx operator s manual pdf download manualslib](#) - Sep 03 2022

web view and download kubota rck60b 23bx operator s manual online rck60b 23bx lawn mower pdf manual download also for rck54 23bx rck48 23bx rck48r 23bx

[workshop manual rotary mower kubotabooks](#) - Aug 14 2023

web this workshop manual has been prepared to provide servicing personnel with information on the mechanism service and maintenance of kubota rotary mower rck54 24b ec rck60 24b ec rck60 27b ec rc60 24br and rc60 27br it is divided into two parts mechanism and servicing mechanism information on the features and new

[manuals kubota](#) - Mar 09 2023

web rck60 30b pdf rck60 30b 340 kb 30 rck60 27b mower pdf rck60 27b mower 287 kb 27 rck60 24b pdf rck60 24b 357 kb 28 rck60 24b parts list pdf rck60 24b parts list 396 kb 28 rck60b 22bxmulching kit pdf rck60b 22bxmulching kit 1 33 mb 3 rck60b 22bx pdf rck60b 22bx

[instructions for parts books kubotabooks](#) - May 11 2023

web ref rck60 30b pag e 65165 item part no rck60 30b book mower 01a001 universal joint 100a0271 01a004 bevel gear case 100a0271 01a007 pulley holder 100a0271 01a010 blade 100a0271 mower deck reference 01a100 page 6 ref no part no description q ty s no i c remarks weight kgf

[kubota rck60b 23bx manuals manualslib](#) - Dec 06 2022

web we have 7 kubota rck60b 23bx manuals available for free pdf download workshop manual operator s manual kubota rck60b 23bx workshop manual 436 pages brand kubota category lawn mower size 20 96 mb

**kubota rotary mower rck60 30bb rc72 30bb workshop manual** - Oct 04 2022

web mar 24 2023 kubota rotary mower rck60 30bb rc72 30bb workshop manual pdf download rck60 30bb rc72 30bb kisc issued 02 2020 a to the reader this workshop manual provides safety information for service

[kubota rck60 f30 ec mower deck parts catalog manual pdf download](#) - Mar 29 2022

web this kubota rck60 f30 ec mower deck parts catalog manual pdf download provides detailed illustrations parts name parts number and instructions for assembly or disassembly it is compatible with all windows and mac versions and can be printed unlimited times

**kubota rck60b 22bx mower deck parts manual pdf scribd** - Jul 13 2023

web kubota rck60b 22bx mower deck parts manual free download as pdf file pdf text file txt or read online for free kubota 60 mower deck for bx tractors

**wsm rck60 24b manuals manualslib** - Feb 08 2023

web we have 1 wsm rck60 24b manual available for free pdf download workshop manual wsm rck60 24b workshop manual

54 pages brand wsm category lawn mower size 1 64 mb

*kubota rck60 24b mid mount finishing mower parts diagrams messicks* - Sep 15 2023

web kubota rck60 24b mid mount finishing mower parts add to garage in your garage select category frequently used items mower select diagram universal joint bevel gear case bevel gear case pulley holder blade tension pulley mower deck front gauge wheel rear wheel

**kubota rck60p 400z z422kwt parts diagrams messicks** - Apr 10 2023

web our team of knowledgeable parts technicians is ready to help give us a call at 877 260 3528 rck60p 400z z422kwt parts catalog lookup buy kubota parts online save

**kubota parts buy online save messicks** - Feb 25 2022

web kubota parts rck60 32 60 mower deck b2301hsd b2601hsd largest inventory of right priced kubota parts around all genuine oem kubota parts backed by the most knowledgeable kubota parts technicians in the business

**kubota tractor rck60 24b mower oem parts** - Jul 01 2022

web shop our large selection of kubota tractor rck60 24b oem parts original equipment manufacturer parts and more online or call at 888 458 2682

**kubota rck60b23bx 60 side discharge mower parts diagrams messicks** - Jan 07 2023

web kubota rck60b23bx 60 side discharge mower parts add to garage in your garage select category mower select diagram a00101 universal joint a00403 bevel gear case a00703 pulley holder a01003 blade a01303 tension pulley a10005 mower deck a10303 gauge wheel a10903 discharge

*kubota rotary mower operator s manual models rck60b 22bx* - Aug 02 2022

web dec 31 2014 english operator s manual for kubota mid mount tractor rotary mowers models rck60b 22bx and rck54 22bx compatible with the bx1800 and bx2200 tractor models addeddate 2021 03 04 02 43 33

*kubota wsm rck60 f36 manuals manualslib* - Jan 27 2022

web we have 2 kubota wsm rck60 f36 manuals available for free pdf download workshop manual operator s manual kubota wsm rck60 f36 workshop manual 315 pages brand kubota category lawn mower size 11 35 mb

*kubota rck60 24b parts new and aftermarket kubota* - Nov 05 2022

web kubota rck60 24b parts new and aftermarket by db tractor kubota rck60 24b parts safety is key to any mower or zero turn mower and obtaining and fitting the correct parts is a crucial element in maintaining its longevity as

kubota rck60 24b mower deck parts manual pdf download - May 31 2022

web kubota rck60 24b mower deck parts manual kubota rck60 24b mower deck parts manuals are available for immediate download and sell for only 5 95 each if you have a dirty old paper copy or a pdf copy on your computer and it crashed we can

help your kubota rck60 24b mower deck parts manual will come to you in pdf format and is