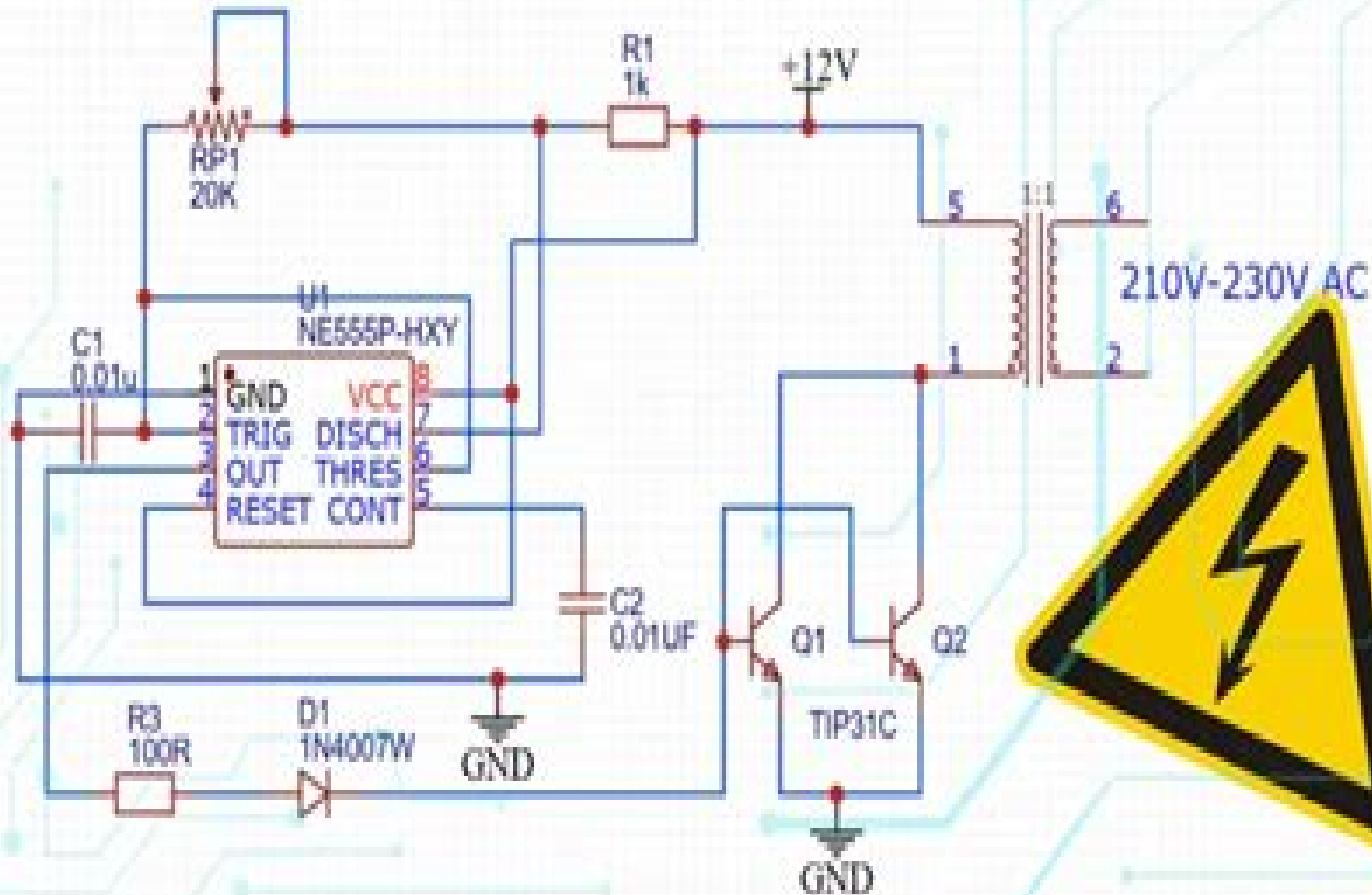


Inverter using 555 Timer IC



230v Simple Inverter Circuit Using 555 Timer My Circuits 9

TD Snyder



230v Simple Inverter Circuit Using 555 Timer My Circuits 9:

Immerse yourself in heartwarming tales of love and emotion with its touching creation, Experience Love's Journey in **230v Simple Inverter Circuit Using 555 Timer My Circuits 9** . This emotionally charged ebook, available for download in a PDF format (*), is a celebration of love in all its forms. Download now and let the warmth of these stories envelop your heart.

https://py.bijouxmedusa.com/public/virtual-library/HomePages/A_Guide_To_Ip_Cctv_Ismi.pdf

Table of Contents 230v Simple Inverter Circuit Using 555 Timer My Circuits 9

1. Understanding the eBook 230v Simple Inverter Circuit Using 555 Timer My Circuits 9
 - The Rise of Digital Reading 230v Simple Inverter Circuit Using 555 Timer My Circuits 9
 - Advantages of eBooks Over Traditional Books
2. Identifying 230v Simple Inverter Circuit Using 555 Timer My Circuits 9
 - Exploring Different Genres
 - Considering Fiction vs. Non-Fiction
 - Determining Your Reading Goals
3. Choosing the Right eBook Platform
 - Popular eBook Platforms
 - Features to Look for in an 230v Simple Inverter Circuit Using 555 Timer My Circuits 9
 - User-Friendly Interface
4. Exploring eBook Recommendations from 230v Simple Inverter Circuit Using 555 Timer My Circuits 9
 - Personalized Recommendations
 - 230v Simple Inverter Circuit Using 555 Timer My Circuits 9 User Reviews and Ratings
 - 230v Simple Inverter Circuit Using 555 Timer My Circuits 9 and Bestseller Lists
5. Accessing 230v Simple Inverter Circuit Using 555 Timer My Circuits 9 Free and Paid eBooks
 - 230v Simple Inverter Circuit Using 555 Timer My Circuits 9 Public Domain eBooks
 - 230v Simple Inverter Circuit Using 555 Timer My Circuits 9 eBook Subscription Services
 - 230v Simple Inverter Circuit Using 555 Timer My Circuits 9 Budget-Friendly Options
6. Navigating 230v Simple Inverter Circuit Using 555 Timer My Circuits 9 eBook Formats

- ePub, PDF, MOBI, and More
 - 230v Simple Inverter Circuit Using 555 Timer My Circuits 9 Compatibility with Devices
 - 230v Simple Inverter Circuit Using 555 Timer My Circuits 9 Enhanced eBook Features
7. Enhancing Your Reading Experience
 - Adjustable Fonts and Text Sizes of 230v Simple Inverter Circuit Using 555 Timer My Circuits 9
 - Highlighting and Note-Taking 230v Simple Inverter Circuit Using 555 Timer My Circuits 9
 - Interactive Elements 230v Simple Inverter Circuit Using 555 Timer My Circuits 9
 8. Staying Engaged with 230v Simple Inverter Circuit Using 555 Timer My Circuits 9
 - Joining Online Reading Communities
 - Participating in Virtual Book Clubs
 - Following Authors and Publishers 230v Simple Inverter Circuit Using 555 Timer My Circuits 9
 9. Balancing eBooks and Physical Books 230v Simple Inverter Circuit Using 555 Timer My Circuits 9
 - Benefits of a Digital Library
 - Creating a Diverse Reading Collection 230v Simple Inverter Circuit Using 555 Timer My Circuits 9
 10. Overcoming Reading Challenges
 - Dealing with Digital Eye Strain
 - Minimizing Distractions
 - Managing Screen Time
 11. Cultivating a Reading Routine 230v Simple Inverter Circuit Using 555 Timer My Circuits 9
 - Setting Reading Goals 230v Simple Inverter Circuit Using 555 Timer My Circuits 9
 - Carving Out Dedicated Reading Time
 12. Sourcing Reliable Information of 230v Simple Inverter Circuit Using 555 Timer My Circuits 9
 - Fact-Checking eBook Content of 230v Simple Inverter Circuit Using 555 Timer My Circuits 9
 - Distinguishing Credible Sources
 13. Promoting Lifelong Learning
 - Utilizing eBooks for Skill Development
 - Exploring Educational eBooks
 14. Embracing eBook Trends
 - Integration of Multimedia Elements
 - Interactive and Gamified eBooks

230v Simple Inverter Circuit Using 555 Timer My Circuits 9 Introduction

In the digital age, access to information has become easier than ever before. The ability to download 230v Simple Inverter Circuit Using 555 Timer My Circuits 9 has revolutionized the way we consume written content. Whether you are a student looking for course material, an avid reader searching for your next favorite book, or a professional seeking research papers, the option to download 230v Simple Inverter Circuit Using 555 Timer My Circuits 9 has opened up a world of possibilities. Downloading 230v Simple Inverter Circuit Using 555 Timer My Circuits 9 provides numerous advantages over physical copies of books and documents. Firstly, it is incredibly convenient. Gone are the days of carrying around heavy textbooks or bulky folders filled with papers. With the click of a button, you can gain immediate access to valuable resources on any device. This convenience allows for efficient studying, researching, and reading on the go. Moreover, the cost-effective nature of downloading 230v Simple Inverter Circuit Using 555 Timer My Circuits 9 has democratized knowledge. Traditional books and academic journals can be expensive, making it difficult for individuals with limited financial resources to access information. By offering free PDF downloads, publishers and authors are enabling a wider audience to benefit from their work. This inclusivity promotes equal opportunities for learning and personal growth. There are numerous websites and platforms where individuals can download 230v Simple Inverter Circuit Using 555 Timer My Circuits 9. These websites range from academic databases offering research papers and journals to online libraries with an expansive collection of books from various genres. Many authors and publishers also upload their work to specific websites, granting readers access to their content without any charge. These platforms not only provide access to existing literature but also serve as an excellent platform for undiscovered authors to share their work with the world. However, it is essential to be cautious while downloading 230v Simple Inverter Circuit Using 555 Timer My Circuits 9. Some websites may offer pirated or illegally obtained copies of copyrighted material. Engaging in such activities not only violates copyright laws but also undermines the efforts of authors, publishers, and researchers. To ensure ethical downloading, it is advisable to utilize reputable websites that prioritize the legal distribution of content. When downloading 230v Simple Inverter Circuit Using 555 Timer My Circuits 9, users should also consider the potential security risks associated with online platforms. Malicious actors may exploit vulnerabilities in unprotected websites to distribute malware or steal personal information. To protect themselves, individuals should ensure their devices have reliable antivirus software installed and validate the legitimacy of the websites they are downloading from. In conclusion, the ability to download 230v Simple Inverter Circuit Using 555 Timer My Circuits 9 has transformed the way we access information. With the convenience, cost-effectiveness, and accessibility it offers, free PDF downloads have become a popular choice for students, researchers, and book lovers worldwide. However, it is crucial to engage in ethical downloading practices and prioritize personal security when utilizing online platforms. By doing so, individuals can make the most of the vast array of free PDF resources available and embark on a journey of continuous

learning and intellectual growth.

FAQs About 230v Simple Inverter Circuit Using 555 Timer My Circuits 9 Books

1. Where can I buy 230v Simple Inverter Circuit Using 555 Timer My Circuits 9 books? Bookstores: Physical bookstores like Barnes & Noble, Waterstones, and independent local stores. Online Retailers: Amazon, Book Depository, and various online bookstores offer a wide range of books in physical and digital formats.
2. What are the different book formats available? Hardcover: Sturdy and durable, usually more expensive. Paperback: Cheaper, lighter, and more portable than hardcovers. E-books: Digital books available for e-readers like Kindle or software like Apple Books, Kindle, and Google Play Books.
3. How do I choose a 230v Simple Inverter Circuit Using 555 Timer My Circuits 9 book to read? Genres: Consider the genre you enjoy (fiction, non-fiction, mystery, sci-fi, etc.). Recommendations: Ask friends, join book clubs, or explore online reviews and recommendations. Author: If you like a particular author, you might enjoy more of their work.
4. How do I take care of 230v Simple Inverter Circuit Using 555 Timer My Circuits 9 books? Storage: Keep them away from direct sunlight and in a dry environment. Handling: Avoid folding pages, use bookmarks, and handle them with clean hands. Cleaning: Gently dust the covers and pages occasionally.
5. Can I borrow books without buying them? Public Libraries: Local libraries offer a wide range of books for borrowing. Book Swaps: Community book exchanges or online platforms where people exchange books.
6. How can I track my reading progress or manage my book collection? Book Tracking Apps: Goodreads, LibraryThing, and Book Catalogue are popular apps for tracking your reading progress and managing book collections. Spreadsheets: You can create your own spreadsheet to track books read, ratings, and other details.
7. What are 230v Simple Inverter Circuit Using 555 Timer My Circuits 9 audiobooks, and where can I find them? Audiobooks: Audio recordings of books, perfect for listening while commuting or multitasking. Platforms: Audible, LibriVox, and Google Play Books offer a wide selection of audiobooks.
8. How do I support authors or the book industry? Buy Books: Purchase books from authors or independent bookstores. Reviews: Leave reviews on platforms like Goodreads or Amazon. Promotion: Share your favorite books on social media or recommend them to friends.
9. Are there book clubs or reading communities I can join? Local Clubs: Check for local book clubs in libraries or community centers. Online Communities: Platforms like Goodreads have virtual book clubs and discussion groups.

10. Can I read 230v Simple Inverter Circuit Using 555 Timer My Circuits 9 books for free? Public Domain Books: Many classic books are available for free as they're in the public domain. Free E-books: Some websites offer free e-books legally, like Project Gutenberg or Open Library.

Find 230v Simple Inverter Circuit Using 555 Timer My Circuits 9 :

[a guide to ip cctv ismi](#)

[a differential geometric approach to the geometric mean of](#)

8 practice form g answers

880460932x it21

[aabb technical manual 18th edition pdfsdocuments2](#)

[a guide to japanese grammar tae kim](#)

7 habits for happy kids lesson plans

[a practical guide to media law ashley messenger](#)

[a puzzle of paws](#)

[8817093769 it4](#)

a david lodge trilogy changing places small world nice work

a day at vsa

[8850729928 it19](#)

a first course in electrode processes 2nd edition

a handbook of romanticism studies critical theory handbooks

230v Simple Inverter Circuit Using 555 Timer My Circuits 9 :

this could be our future a manifesto for a more generous world - Apr 11 2023

web this could be our future a manifesto for a more generous world amazon co uk strickler yancey 9780753552834 books business finance law management management skills kindle edition available instantly audiobook 0 00 with membership trial hardcover 5 65 paperback 12 09 other used and new from 3 26 buy new 12 09

[this could be our future a manifesto for a more g mauro f](#) - Jun 01 2022

web comprehending as competently as bargain even more than other will offer each success neighboring to the notice as without difficulty as sharpness of this this could be our future a manifesto for a more g can be taken as without difficulty as

picked to act revolutionary love rabbi michael lerner 2022 02 from social theorist and
read this could be our future a manifesto for a more - Apr 30 2022

web nov 27 2020 by assigning rational value to other values besides money things like community purpose and sustainability we can refocus our energies to build a society that s generous fair and ready for the future by recalibrating our definition of value a world of scarcity can become a world of abundance hopeful but firmly grounded full of concrete

this could be our future a manifesto for a more generous - Feb 09 2023

web oct 29 2019 this could be our future a manifesto for a more generous world strickler yancey on amazon com free shipping on qualifying offers this could be our future a manifesto for a more generous world

pdf this could be our future a manifesto for a more - Aug 03 2022

web jul 18 2020 ebooks this could be our future a manifesto for a more generous world are created for various motives the most obvious explanation is usually to offer it and generate profits

this could be our future a manifesto for a more generous world - Jan 08 2023

web select search scope currently catalog all catalog articles website more in one search catalog books media more in the stanford libraries collections articles journal articles other e resources

this could be our future a manifesto for a more generous world - Dec 27 2021

web oct 29 2019 buy this could be our future a manifesto for a more generous world read books reviews amazon com

this could be our future a manifesto for a more generous world - May 12 2023

web oct 31 2019 western society is trapped by three assumptions 1 the point of life is to maximize your self interest and wealth 2 we re individuals trapped in an adversarial world and 3 that this path is

this could be our future a manifesto for a more g - Feb 26 2022

web this could be our future a manifesto for a more g 2020 01 08 nathaniel vega this could be our future hachette uk a cultural philosopher and an astrophysicist attempt to decipher how we fit into the universe and the impact our placement has on us after a four century rupture between science and the questions

this could be our future a manifesto for a more generous - Mar 10 2023

web this could be our future is about how we got here and how we change course while the pursuit of wealth has produced innovation and prosperity it also established an implicit belief that the right choice in every decision is whichever option makes the most money

pdf this could be our future a manifesto for a more - Jul 02 2022

web ebooks this could be our future a manifesto for a more generous world are created for various motives the most obvious explanation is

download solutions this could be our future a manifesto for a more g - Oct 05 2022

web this could be our future a manifesto for a more g what we owe each other jun 10 2020 from one of the leading policy experts of our time an urgent rethinking of how we can better support each other to thrive whether we realize it or not all of us participate in the social contract every day through mutual

this could be our future a manifesto for a more generous world - Jun 13 2023

web nov 17 2020 this could be our future a manifesto for a more generous world yancey strickler penguin publishing group nov 17 2020 business economics 304 pages a vision for building a society

this could be our future a manifesto for a more generous world - Jul 14 2023

web this could be our future is a brilliant exercise in reasoning from first principles challenging our assumptions about how the world must be tim urban writer of wait but why this bold moving book explains why forging a more humane equitable society depends on a fundamental shift not just in values but the very way we define what

this could be our future a manifesto for a more generous world - Dec 07 2022

web nov 17 2020 by assigning rational value to other values besides money things like community purpose and sustainability we can refocus our energies to build a society that s generous fair and ready for the future by recalibrating our definition of value a world of scarcity can become a world of abundance

this could be our future a manifesto for a more generous world - Nov 06 2022

web amazon in buy this could be our future a manifesto for a more generous world book online at best prices in india on amazon in read this could be our future a manifesto for a more generous world book reviews author details and more at amazon in free delivery on qualified orders

this could be our future a manifesto for a more generous world - Aug 15 2023

web oct 29 2019 this could be our future is a brilliant exercise in reasoning from first principles challenging our assumptions about how the world must be tim urban writer of wait but why this is a beautiful simple important book if we all follow its advice the world will be a far better place for our children and grandchildren

this could be our future a manifesto for a more generous - Jan 28 2022

web this could be our future a manifesto for a more generous world with yancey strickler podcast episode details full cast and crew release dates official sites company credits filming production technical specs

pdf this could be our future a manifesto for a more generous - Sep 04 2022

web jan 13 2022 this could be our future a manifesto for a more generous world before now i have never ever experienced a passion about reading books this could be our future a manifesto for a more generous world the only real time that i ever browse a guide include to cover was back in school when you truly experienced no other

this could be our future a manifesto for a more g stephen hill - Mar 30 2022

web it will enormously ease you to see guide this could be our future a manifesto for a more g as you such as by searching the title publisher or authors of guide you essentially want you can discover them rapidly

release your pain resolving repetitive strain injuries with - Aug 16 2023

web release your pain resolving repetitive strain injuries with active release techniques abelson brian abelson kamali amazon com tr kitap

release pain on the app store - May 01 2022

web release pain includes various types of exercises which are very helpful in backpain 1 improve posture 2 hamstring stretch 3 back mobilisation 4 core strengthening 5 hip flexor stretch 6 stretching stabilising your spine 7 piriformis stretch release your hips lower back 8 pelvic curl

release your pain paperback october 1 2003 amazon com - Jul 15 2023

web oct 1 2003 release your pain is the first book written for the general public about repetitive strain injuries and the powerful active release techniques its easy to read format numerous graphics photos and clearly described exercises make it a welcome addition for anyone who is trying to resolve a soft tissue injury

release your pain resolving repetitive strain injuries with - Jan 29 2022

web release your pain resolving repetitive strain injuries with active release techniques home it is common to feel a duplication of your pain symptoms during the treatment a good indication that the problem has been identified treatments take about 8 15 minutes for each area treated and may require 6 to 8 visits for optimal results

where emotions get trapped in the body and how to release them healthline - Mar 31 2022

web sep 16 2021 by using techniques to work through your emotions like therapy intentional movement and shadow work you can learn to move on from past traumas and release the associated bodily tension watch

release your pain 2nd edition ebook bookmate - Apr 12 2023

web release your pain presents art active release techniques as an innovative and effective approach to addressing such common repetitive strain injuries as carpal tunnel syndrome plantar fasciitis knee and shoulder injuries and back pain

primal reflex release technique release your pain youtube - Feb 27 2022

web pain reflex release technique or primal reflex release technique is a manual therapy approach for evaluating and relieving musculoskeletal pain prrt or pert is often able to accomplish in

release your pain resolving repetitive strain injuries with active - Jun 02 2022

web release your pain resolving repetitive strain injuries with active release techniques by abelson brian

release your pain 2nd edition ebook resolving soft tissue - Mar 11 2023

web apr 25 2012 release your pain 2nd edition ebook resolving soft tissue injuries with exercise and active release techniques take control of your condition thousands of people have used this international best seller to obtain relief from the pain and dysfunction caused by soft tissue injuries

release your pain on apple books - May 13 2023

web release your pain 2nd edition ebook resolving soft tissue injuries with exercise and active release techniques take control of your condition thousands of people have used this international best seller to obtain relief from the pain and dysfunction caused by soft tissue injuries

release your pain paperback 1 october 2003 amazon com au - Dec 08 2022

web read release your pain to understand the real cause of your pain how it can be resolved and how you can take control of your life again take control of your pain read this book understand the real causes of your repetitive strain injuries or soft tissue injury

release your pain resolving soft tissue injuries with exercise - Nov 07 2022

web apr 25 2012 release your pain resolving soft tissue injuries with exercise and active release techniques illustrated edition by brian james abelson author kamali thara abelson author lavanya balasubramaniyam illustrator 3 9 16 ratings see all formats and editions

release your pain resolving repetitive strain injuries with - Sep 05 2022

web mar 10 2005 release your pain presents art active release techniques as a new approach to addressing such common repetitive strain injuries as carpal tunnel syndrome plantar fasciitis knee and shoulder injuries and back pain based on case studies the book shows how art locates and breaks down scar tissue and adhesions that cause pain

8 steps to release pain barr center - Oct 06 2022

web 8 steps to release pain due to neural pathways in the brain and behavioral habit patterns pain can become a habit making it challenging to sort out and resolve the best ways to kick the pain habit are to recognize the most common causes and learn the 8 step pain release process

everything you need to know about pain relief basics healthline - Jun 14 2023

web jun 15 2021 anticonvulsants cbd cold and heat exercise physical therapy yoga music therapeutic massage outlook pain and pain management pain is more than just a feeling of discomfort it can affect the

release your pain 2nd edition ebook goodreads - Feb 10 2023

web release your pain presents art active release techniques as an innovative and effective approach to addressing such common repetitive strain injuries as carpal tunnel syndrome plantar fasciitis knee and shoulder injuries and back pain

release the pain official youtube - Dec 28 2021

web welcome to the official channel of release the pain check out our sites releasethepainofficial.com releasethepainbigcartel.com facebook

pain companion how to release pain pain news network - Jan 09 2023

web jun 15 2016 remember probably no single thing you do to heal soothe express or release your pain is going to be the whole story of your healing chronic pain is multi leveled and complex yet all of the simple yet profound practices we put into effect on a daily basis have a positive cumulative effect

releasing your emotional pain is a necessity psychology today - Jul 03 2022

web mar 17 2022 san francisco ca washington dc get help asperger s magazine today reviewed by gary drevitch a study from the university of texas found that by not acknowledging our emotions we actually make them

release your pain google books - Aug 04 2022

web release your pain presents art active release techniques as a new approach to addressing such common repetitive strain injuries as carpal tunnel syndrome plantar fasciitis knee and shoulder injuries and back pain

field trip permission slip template pdf templates jotform - Dec 27 2021

web look no further than this field trip permission slip template from jotform when your students guardians fill out your permission slip form this template will automatically generate their responses into custom pdfs that will live in your secure jotform account ready to print and share at your convenience

field trip forms for child care fill out sign online dochub - Mar 30 2022

web daycare field trip permission slip get the up to date daycare field trip permission slip 2023 now get form 4 out of 5 40 votes 44 reviews 23 ratings 15 005 10 000 000 303 100 000 users here s how it works 02 sign it in a few clicks draw your signature type it upload its image or use your mobile device as a signature pad 03

10 free field trip permission slip templates word pdf - Aug 15 2023

web this permission slip alerts the parents of the field trip and asks for permission ahead of time which allows the parent to know about the field trip and choose whether their child can go on the outing while providing the necessary information like emergency contacts allergies and other vital data to help the organizers of the field trip be

[field trip permission form himama](#) - Apr 30 2022

web use this permission form for parents to fill out before their child s field trip get access opens pop up modal

daycare field trip forms childcare center printable transportation - Oct 05 2022

web this is a digital downloadable field trip permission form vehicle transportation form these complete printable forms are designed for licensed childcare centers in home daycares and preschools add to cart field trips are a huge liability for any center

daycare field trip forms child care printable transportation tpt - Sep 04 2022

web this is a digital downloadable field trip permission form vehicle transportation form these complete printable forms are designed for licensed childcare centers in home daycares and preschools field trips are a huge liability for any center

daycare field trip forms childcare center printable etsy - Jan 28 2022

web feb 15 2023 height 11 inches this is a digital downloadable field trip permission form vehicle transportation form these complete printable forms are designed for licensed childcare centers in home daycares and preschools field trips are a huge liability for any center

field trip permission slips childfun - Jan 08 2023

web jul 15 2016 field trip permission slips click on a preview picture to see the larger version a larger printable version will open in a new window forms will print 1 2 3 or 4 on a sheet depending on size simply print and cut on the dotted lines and use

free printable daycare forms field trip forms field trip permission - Aug 03 2022

web free permission slip templates field trip forms word pdf check out the daycare tips section required lots of helpful home daycare articles design step of children

free permission slip templates field trip forms word pdf - Jun 01 2022

web a permission slip is a document sent through an email or given to the child to give to their parents to obtain consent from their parents to travel or engage in a school activity or travel for a field trip under the care of the school or a given organization

free printable field trip permission slip templates word - Apr 11 2023

web jun 18 2021 field trip permission slip template is used by schools or organizations in order to make the process of designing permission slips easier these printable templates are easy to use and customizable that fit your preferences

[free field trip consent permission forms word pdf](#) - Feb 26 2022

web get access to free ready to use field trip consent form templates and learn what essential details should be included in them

[free field trip and school permission forms templates](#) - Mar 10 2023

web aug 2 2018 coaches leaders and other staff will love having this form at the ready to get transportation permissions on file in record time edit doc print pdf 6 field trip lite this is a great field trip permission slip without all the fuss just enter the facts and send it on its way edit doc print pdf 7 field trip plus

[results for fieldtrip permission slips for daycares tpt](#) - May 12 2023

web this is a digital downloadable field trip permission form vehicle transportation form these complete printable forms are

designed for licensed childcare centers in home daycares and preschools field trips are a huge liability for any center

free printable daycare forms field trip forms simply daycare - Jul 14 2023

web free printable daycare forms will make running your in home daycare even easier simply print and use immediately field trip forms are mandatory if you are taking the children on any type of trip you must have the parents sign in writing that their child ren have permission to go

35 permission slip templates field trip forms - Feb 09 2023

web what is a permission slip if you are in the united states a permission slip refers to a document that a given school or organization sends home through the use of a student to a parent or guardian to obtain consent for the student to travel under the care of the school or the respective organization for a specific event or field trip

free field trip consent form pdf eforms - Jul 02 2022

web jun 23 2023 step 1 download in pdf step 2 the top section of the consent form must include the following information completed by the parent guardian participant s child s name and birth date parent s guardian s name parent s guardian s address parent s guardian s phone number s parent s guardian s email address

daycare field trip permission slip fill online printable fillable - Nov 06 2022

web obtain the daycare field trip permission form from the daycare center fill in all the required personal information such as your child s full name date of birth and contact information provide details about the specific field trip including the

[free printable customizable permission slip letter templates](#) - Jun 13 2023

web we have field trip permission slip templates to guide you through in companies permission slip formats for employees will be useful for business trips functions and team outings find other purposes for your letter such as a medical permission slip or a girl scout permission slip

field trip permission for child care red brick childcare - Dec 07 2022

web approximate time of return mode of transportation walking school bus public transportation parent vehicles provider vehicle and driver during this field trip children will have access to water that is 18 inches or more in