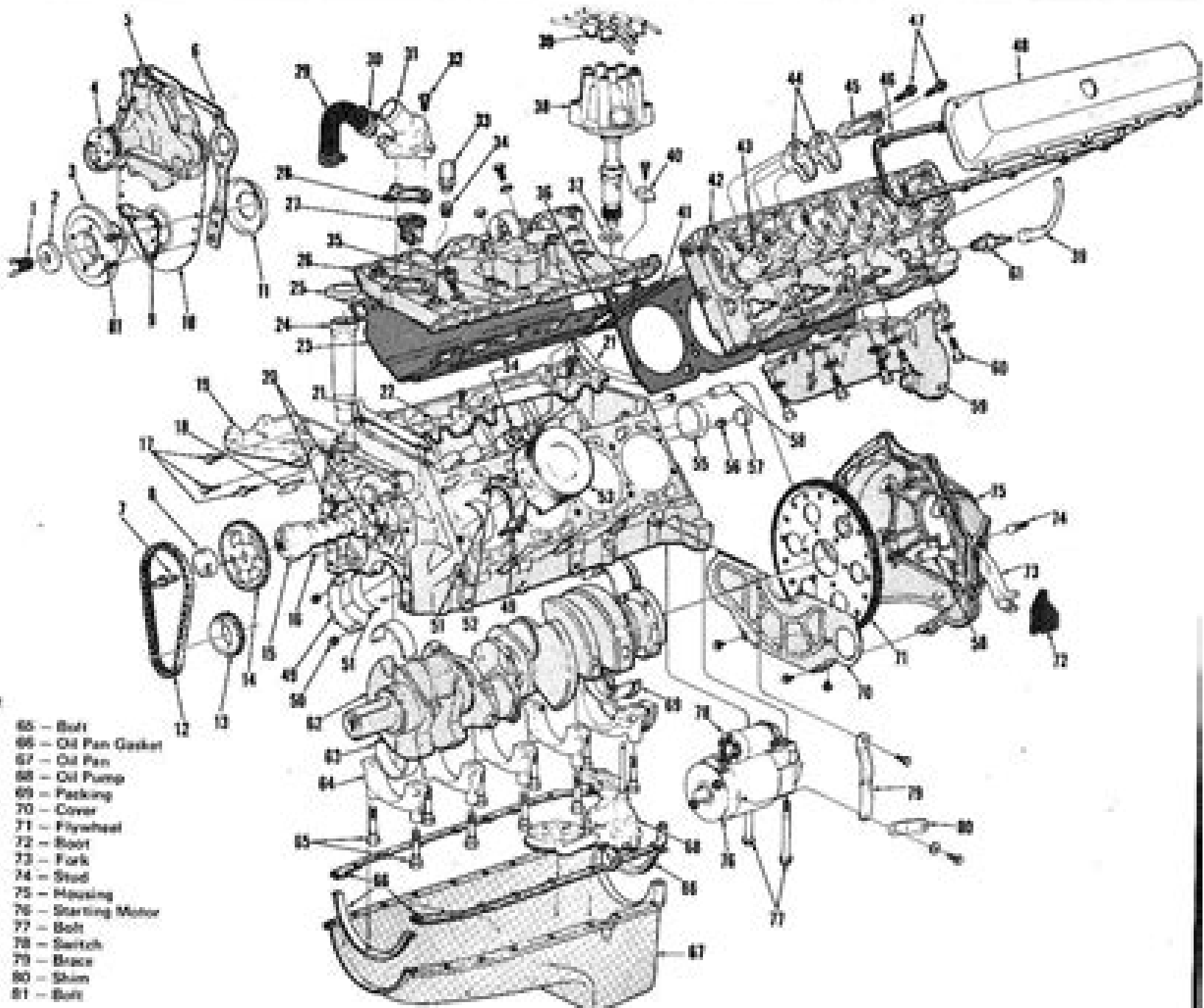


- 1 - Rollers
- 2 - Hub
- 3 - Water Pump
- 4 - Gasket
- 5 - Bolt
- 6 - Eccentric
- 7 - Indicator
- 8 - Cover
- 9 - Slinger
- 10 - Timing Chain
- 11 - Gear, Crankshaft
- 12 - Gear, Camshaft
- 13 - Camshaft
- 14 - Pin
- 15 - Bolt
- 16 - Bottle
- 17 - Bracket
- 18 - Plug
- 19 - Seal
- 20 - Bottle
- 21 - Gasket
- 22 - Tube
- 23 - Cap
- 24 - Intake Manifold
- 25 - Thermostat
- 26 - Gasket
- 27 - Hose
- 28 - Clamp
- 29 - Outlet
- 30 - Bolt
- 31 - Switch
- 32 - Plug
- 33 - Bolt
- 34 - Push Rod
- 35 - Gasket
- 36 - Distributor
- 37 - Wire
- 38 - Clamp
- 39 - Head Gasket
- 40 - Head
- 41 - Spring
- 42 - Rocker Arm
- 43 - Push Rod Pin
- 44 - Valve Cover Gasket
- 45 - Bolt
- 46 - Cover
- 47 - Connecting Rod
- 48 - Nut
- 49 - Bearing
- 50 - Bolt
- 51 - Piston & Pin
- 52 - Valve Lifter
- 53 - Plug
- 54 - Plug
- 55 - Plug
- 56 - Pin
- 57 - Exhaust Manifold
- 58 - Bolt
- 59 - Spark Plug
- 60 - Crankshaft
- 61 - Bearing
- 62 - Cap
- 63 - Bolt
- 64 - Oil Pan Gasket
- 65 - Oil Pan
- 66 - Oil Pump
- 67 - Packing
- 68 - Cover
- 69 - Flywheel
- 70 - Bolt
- 71 - Fork
- 72 - Stud
- 73 - Housing
- 74 - Starting Motor
- 75 - Bolt
- 76 - Switch
- 77 - Brace
- 78 - Shim
- 79 - Bolt



## 3 8 Ford Engine Components Disassembled View

**L Cohen**



### **3 8 Ford Engine Components Disassembled View:**

## Reviewing **3 8 Ford Engine Components Disassembled View**: Unlocking the Spellbinding Force of Linguistics

In a fast-paced world fueled by information and interconnectivity, the spellbinding force of linguistics has acquired newfound prominence. Its capacity to evoke emotions, stimulate contemplation, and stimulate metamorphosis is really astonishing. Within the pages of "**3 8 Ford Engine Components Disassembled View**," an enthralling opus penned by a very acclaimed wordsmith, readers attempt an immersive expedition to unravel the intricate significance of language and its indelible imprint on our lives. Throughout this assessment, we shall delve in to the book is central motifs, appraise its distinctive narrative style, and gauge its overarching influence on the minds of its readers.

<https://py.bijouxmedusa.com/About/detail/index.jsp/america%2047%201386%20credit%20score%20improvement%20guide%20usa%2047%201917%20credit%20score.pdf>

### **Table of Contents 3 8 Ford Engine Components Disassembled View**

1. Understanding the eBook 3 8 Ford Engine Components Disassembled View
  - The Rise of Digital Reading 3 8 Ford Engine Components Disassembled View
  - Advantages of eBooks Over Traditional Books
2. Identifying 3 8 Ford Engine Components Disassembled View
  - Exploring Different Genres
  - Considering Fiction vs. Non-Fiction
  - Determining Your Reading Goals
3. Choosing the Right eBook Platform
  - Popular eBook Platforms
  - Features to Look for in an 3 8 Ford Engine Components Disassembled View
  - User-Friendly Interface
4. Exploring eBook Recommendations from 3 8 Ford Engine Components Disassembled View
  - Personalized Recommendations
  - 3 8 Ford Engine Components Disassembled View User Reviews and Ratings

- 3 8 Ford Engine Components Disassembled View and Bestseller Lists
- 5. Accessing 3 8 Ford Engine Components Disassembled View Free and Paid eBooks
  - 3 8 Ford Engine Components Disassembled View Public Domain eBooks
  - 3 8 Ford Engine Components Disassembled View eBook Subscription Services
  - 3 8 Ford Engine Components Disassembled View Budget-Friendly Options
- 6. Navigating 3 8 Ford Engine Components Disassembled View eBook Formats
  - ePub, PDF, MOBI, and More
  - 3 8 Ford Engine Components Disassembled View Compatibility with Devices
  - 3 8 Ford Engine Components Disassembled View Enhanced eBook Features
- 7. Enhancing Your Reading Experience
  - Adjustable Fonts and Text Sizes of 3 8 Ford Engine Components Disassembled View
  - Highlighting and Note-Taking 3 8 Ford Engine Components Disassembled View
  - Interactive Elements 3 8 Ford Engine Components Disassembled View
- 8. Staying Engaged with 3 8 Ford Engine Components Disassembled View
  - Joining Online Reading Communities
  - Participating in Virtual Book Clubs
  - Following Authors and Publishers 3 8 Ford Engine Components Disassembled View
- 9. Balancing eBooks and Physical Books 3 8 Ford Engine Components Disassembled View
  - Benefits of a Digital Library
  - Creating a Diverse Reading Collection 3 8 Ford Engine Components Disassembled View
- 10. Overcoming Reading Challenges
  - Dealing with Digital Eye Strain
  - Minimizing Distractions
  - Managing Screen Time
- 11. Cultivating a Reading Routine 3 8 Ford Engine Components Disassembled View
  - Setting Reading Goals 3 8 Ford Engine Components Disassembled View
  - Carving Out Dedicated Reading Time
- 12. Sourcing Reliable Information of 3 8 Ford Engine Components Disassembled View
  - Fact-Checking eBook Content of 3 8 Ford Engine Components Disassembled View
  - Distinguishing Credible Sources

13. Promoting Lifelong Learning
  - Utilizing eBooks for Skill Development
  - Exploring Educational eBooks
14. Embracing eBook Trends
  - Integration of Multimedia Elements
  - Interactive and Gamified eBooks

### **3 8 Ford Engine Components Disassembled View Introduction**

In today's digital age, the availability of 3 8 Ford Engine Components Disassembled View books and manuals for download has revolutionized the way we access information. Gone are the days of physically flipping through pages and carrying heavy textbooks or manuals. With just a few clicks, we can now access a wealth of knowledge from the comfort of our own homes or on the go. This article will explore the advantages of 3 8 Ford Engine Components Disassembled View books and manuals for download, along with some popular platforms that offer these resources. One of the significant advantages of 3 8 Ford Engine Components Disassembled View books and manuals for download is the cost-saving aspect. Traditional books and manuals can be costly, especially if you need to purchase several of them for educational or professional purposes. By accessing 3 8 Ford Engine Components Disassembled View versions, you eliminate the need to spend money on physical copies. This not only saves you money but also reduces the environmental impact associated with book production and transportation. Furthermore, 3 8 Ford Engine Components Disassembled View books and manuals for download are incredibly convenient. With just a computer or smartphone and an internet connection, you can access a vast library of resources on any subject imaginable. Whether you're a student looking for textbooks, a professional seeking industry-specific manuals, or someone interested in self-improvement, these digital resources provide an efficient and accessible means of acquiring knowledge. Moreover, PDF books and manuals offer a range of benefits compared to other digital formats. PDF files are designed to retain their formatting regardless of the device used to open them. This ensures that the content appears exactly as intended by the author, with no loss of formatting or missing graphics. Additionally, PDF files can be easily annotated, bookmarked, and searched for specific terms, making them highly practical for studying or referencing. When it comes to accessing 3 8 Ford Engine Components Disassembled View books and manuals, several platforms offer an extensive collection of resources. One such platform is Project Gutenberg, a nonprofit organization that provides over 60,000 free eBooks. These books are primarily in the public domain, meaning they can be freely distributed and downloaded. Project Gutenberg offers a wide range of classic literature, making it an excellent resource for literature enthusiasts. Another popular platform for 3 8 Ford Engine Components Disassembled View books and manuals is Open Library. Open Library is an

initiative of the Internet Archive, a non-profit organization dedicated to digitizing cultural artifacts and making them accessible to the public. Open Library hosts millions of books, including both public domain works and contemporary titles. It also allows users to borrow digital copies of certain books for a limited period, similar to a library lending system. Additionally, many universities and educational institutions have their own digital libraries that provide free access to PDF books and manuals. These libraries often offer academic texts, research papers, and technical manuals, making them invaluable resources for students and researchers. Some notable examples include MIT OpenCourseWare, which offers free access to course materials from the Massachusetts Institute of Technology, and the Digital Public Library of America, which provides a vast collection of digitized books and historical documents. In conclusion, 3 8 Ford Engine Components Disassembled View books and manuals for download have transformed the way we access information. They provide a cost-effective and convenient means of acquiring knowledge, offering the ability to access a vast library of resources at our fingertips. With platforms like Project Gutenberg, Open Library, and various digital libraries offered by educational institutions, we have access to an ever-expanding collection of books and manuals. Whether for educational, professional, or personal purposes, these digital resources serve as valuable tools for continuous learning and self-improvement. So why not take advantage of the vast world of 3 8 Ford Engine Components Disassembled View books and manuals for download and embark on your journey of knowledge?

### **FAQs About 3 8 Ford Engine Components Disassembled View Books**

**What is a 3 8 Ford Engine Components Disassembled View PDF?** A PDF (Portable Document Format) is a file format developed by Adobe that preserves the layout and formatting of a document, regardless of the software, hardware, or operating system used to view or print it. **How do I create a 3 8 Ford Engine Components Disassembled View PDF?** There are several ways to create a PDF: Use software like Adobe Acrobat, Microsoft Word, or Google Docs, which often have built-in PDF creation tools. Print to PDF: Many applications and operating systems have a "Print to PDF" option that allows you to save a document as a PDF file instead of printing it on paper. Online converters: There are various online tools that can convert different file types to PDF. **How do I edit a 3 8 Ford Engine Components Disassembled View PDF?** Editing a PDF can be done with software like Adobe Acrobat, which allows direct editing of text, images, and other elements within the PDF. Some free tools, like PDFescape or Smallpdf, also offer basic editing capabilities. **How do I convert a 3 8 Ford Engine Components Disassembled View PDF to another file format?** There are multiple ways to convert a PDF to another format: Use online converters like Smallpdf, Zamzar, or Adobe Acrobats export feature to convert PDFs to formats like Word, Excel, JPEG, etc. Software like Adobe Acrobat, Microsoft Word, or other PDF editors may have options to export or

save PDFs in different formats. **How do I password-protect a 3 8 Ford Engine Components Disassembled View PDF?** Most PDF editing software allows you to add password protection. In Adobe Acrobat, for instance, you can go to "File" -> "Properties" -> "Security" to set a password to restrict access or editing capabilities. Are there any free alternatives to Adobe Acrobat for working with PDFs? Yes, there are many free alternatives for working with PDFs, such as: LibreOffice: Offers PDF editing features. PDFsam: Allows splitting, merging, and editing PDFs. Foxit Reader: Provides basic PDF viewing and editing capabilities. How do I compress a PDF file? You can use online tools like Smallpdf, ILovePDF, or desktop software like Adobe Acrobat to compress PDF files without significant quality loss. Compression reduces the file size, making it easier to share and download. Can I fill out forms in a PDF file? Yes, most PDF viewers/editors like Adobe Acrobat, Preview (on Mac), or various online tools allow you to fill out forms in PDF files by selecting text fields and entering information. Are there any restrictions when working with PDFs? Some PDFs might have restrictions set by their creator, such as password protection, editing restrictions, or print restrictions. Breaking these restrictions might require specific software or tools, which may or may not be legal depending on the circumstances and local laws.

### **Find 3 8 Ford Engine Components Disassembled View :**

[America 47-1386 credit score improvement guide USA 47-1917 credit score](#)

[small business 47-2339 budget travel software for startups 47-1290](#)

**States 47-2062 resume writing strategies for creators 47-707 resume**

[checklist United States 47-1198 mental wellness checklist for creators](#)

[mobile app ideas case study America 47-2306 mobile app ideas case study](#)

**learning basics review for small business 47-362 machine learning basics**

[marketplace explained America 47-2422 NFT marketplace explained America](#)

[income ideas step by step America 47-1639 passive income ideas](#)

[cybersecurity examples for creators 47-2373 cybersecurity explained USA](#)

[trends best practices for creators 47-578 ecommerce trends blueprint](#)

**services tutorial for small business 47-222 YouTube growth apps United**

[USA 47-1142 online business case study for small business 47-1460 online](#)

**study USA 47-2798 minimalist lifestyle case study USA 47-653 minimalist**

[47-2779 small business ideas tools for entrepreneurs 47-169 small](#)

[freelancing online tutorial for creators 47-2479 healthy recipes best](#)

### **3 8 Ford Engine Components Disassembled View :**

*der gute gott von manhattan horspiel von bachmann ingeborg* - Jul 22 2022

web das hörspiel handelt von einem grenzfall einer liebesgeschichte in den 50er jahren die an die grenzen der herrschenden ordnung stößt vor dem hintergrund des kalten

**der gute gott von manhattan hörspiel gebundene ausgabe** - Nov 25 2022

web jun 24 2016 *der gute gott von manhattan hörspiel* german edition kindle edition by bachmann ingeborg download it once and read it on your kindle device pc phones or

**der gute gott von manhattan br podcast** - Sep 04 2023

web *der gute gott von manhattan preisgekröntes hörspiel* von ingeborg bachmann mit mario adorf horst frank und hans clarin pidax hörspiel klassiker ingeborg bachmann

**der gute gott von manhattan hörspiel kindle ausgabe amazon de** - Apr 30 2023

web höre *der gute gott von manhattan kostenlos hörspiel* von ingeborg bachmann gelesen von mario adorf horst frank hans clarin karl lieffen jetzt gratis hörspiel auf

[der gute gott von manhattan horspiel abebooks](#) - Dec 15 2021

**der gute gott von manhattan hörspiel google play** - Dec 27 2022

web worldcat is the world s largest library catalog helping you find library materials online

[der gute gott von manhattan hörspiel amazon de bücher](#) - Jun 20 2022

web *der gute gott von manhattan horspiel* find all books from bachmann ingeborg at find more books com you can find used antique and new books compare results and

**der gute gott von manhattan hörspiel hardcover abebooks** - May 20 2022

web *der gute gott von manhattan hörspiel* von bachmann ingeborg bei abebooks de isbn 10 3763243860 isbn 13 9783763243860 büchergilde gutenbergs 1995 hardcover

**der gute gott von manhattan hörspiel google books** - Oct 25 2022

web *der gute gott von manhattan hörspiel* mit e nachw von otto f best von bachmann ingeborg und eine große auswahl ähnlicher bücher kunst und sammlerstücke

[der gute gott von manhattan hörspiel hardcover abebooks](#) - Feb 14 2022

web finde hilfreiche kundenrezensionen und rezensionsbewertungen für *der gute gott von manhattan hörspiel* auf amazon de lese ehrliche und unvoreingenommene

[amazon de kundenrezensionen der gute gott von manhattan](#) - Nov 13 2021

**der gute gott von manhattan hörspiel zvaB** - Jan 16 2022

*der gute gott von manhattan hörspiel german edition kindle* - Aug 23 2022

web der gute gott von manhattan hörspiel isbn 13 9783763243860 der gute gott von manhattan hörspiel hardcover

bachmann ingeborg hardcover isbn 10

**9783150079065 der gute gott von manhattan horspiel** - Mar 18 2022

web der gute gott von manhattan ein hörspiel von bachmann ingeborg und eine große auswahl ähnlicher bücher kunst und sammlerstücke erhältlich auf abebooks de

der gute gott von manhattan hörspiel goodreads - Mar 30 2023

web der gute gott von manhattan hörspiel ebook written by ingeborg bachmann read this book using google play books app on your pc android ios devices download for

**der gute gott von manhattan hörspiel worldcat org** - Feb 26 2023

web der gute gott von manhattan von ingeborg bachmann lektüreschlüssel mit inhaltsangabe interpretation

prüfungsaufgaben mit lösungen lern glossar reclam

der gute gott von manhattan preisgekröntes hörspiel von - Jun 01 2023

web der gute gott von manhattan ho rspiel author ingeborg bachmann summary the good god of manhattan a character in this radio play is on trial for plotting the murder of two

*der gute gott von manhattan hörspiel amazon de* - Jul 02 2023

web ingeborg bachmann gehört zu den schöpfern des modernen hörspiels als selbstständige literar der gute gott von manhattan hörspiel ingeborg bachmann

**der gute gott von manhattan hörspiel worldcat org** - Sep 23 2022

web wir verwenden diese cookies auch um nachzuvollziehen wie kunden unsere dienste nutzen z b durch messung der websiteaufrufe damit wir verbesserungen vornehmen

**der gute gott von manhattan horspiel book pivotid uvu** - Apr 18 2022

web der gute gott von manhattan hörspiel bachmann ingeborg verlag münchen r piper 1958 gutes exemplar sprache deutsch gewicht in gramm 300 orig pappe nach

der gute gott von manhattan audible de - Jan 28 2023

web jun 24 2016 der gute gott von manhattan das berühmteste hörspiel entstand 1957 und erhielt 1959 den hörspielpreis der kriegsblinden eine dichtung die uns das herz

*hörspiel pool der gute gott von manhattan ard* - Aug 03 2023

web der gute gott von manhattan das berühmteste hörspiel entstand 1957 und erhielt 1959 den hörspielpreis der kriegsblinden eine dichtung die uns das herz trifft und die

**der gute gott von manhattan wikipedia** - Oct 05 2023

web ingeborg bachmann ist die schöpferin des modernen hörspiels dieses ist eine literarische form bachmann ist durch der gute gott von manhattan berühmt geworden das

**why should you stretch harvard health** - Jul 03 2022

web apr 23 2019 it increases your range of motion keeps muscles limber improves posture and balance and helps prevent falls as you age stretching becomes even more important your joints become less flexible over time inflexibility puts a crimp in daily activities making it harder to walk raise your arms overhead or turn your head while

muscle spasticity symptoms causes and treatments healthline - Sep 05 2022

web sep 6 2019 spasticity occurs when the nerve impulses that control muscle movement are interrupted or damaged a variety of conditions can cause this including spinal cord injury brain injury

**stretching what it is health benefits and getting started** - Feb 27 2022

web jul 14 2022 regularly stretching to the point of pain trying to force a stretch or bouncing during a stretch can cause injury per harvard health in addition passive or static stretches before a workout

**a guide to basic stretches mayo clinic** - Dec 08 2022

web aug 30 2023 a guide to basic stretches it s helpful to include stretching in your exercise plan stretching can increase flexibility and improve the range of motion in your joints helping you move more freely and the flexibility you

**active stretching what it is and how to do it cleveland clinic** - Nov 07 2022

web feb 21 2023 stretching helps flush out the toxins in your muscles if you spend just a few minutes stretching it helps remove any lactic acid build up which can cause delayed onset muscle soreness

**why do we stretch purpose benefits examples of stretches healthline** - Aug 16 2023

web jan 25 2021 there are many reasons why we stretch it can boost your flexibility improve circulation and reduce pain stress and tension in your muscles

*10 reasons why you should be stretching ace* - Mar 11 2023

web apr 19 2017 here are 10 reasons why you should be stretching on a regular basis decreased stress chronic stress can produce a number of undesirable responses in the body including increased feelings of anxiety fatigue and tension

*why do we stretch when we wake up bbc science focus* - Jan 09 2023

web it feels great to have a big stretch after a good sleep and your muscles agree

what cause a muscle to feel tight should i stretch - Aug 04 2022

web jul 1 2019 stretching for some people can be incredibly stress relieving and therefore helpful but for many people stretching alone doesn't get to the root cause of their stress and so that tension comes right back compression compression of a muscle can cause muscle tightness or a need to stretch as well this is often the case with the hamstrings

[stretching wikipedia](#) - May 13 2023

web stretching is a form of physical exercise in which a specific muscle or tendon or muscle group is deliberately expanded and flexed in order to improve the muscle's felt elasticity and achieve comfortable muscle tone 1 the result is a feeling of increased muscle control flexibility and range of motion

[the importance of stretching harvard health](#) - Jun 14 2023

web mar 14 2022 prostate cancer an emerging surgical alternative shows promise in older men staying healthy the importance of stretching march 14 2022 image kali9 getty images it's not enough to build muscle and achieve aerobic fitness you need to think about flexibility too stretching can help

**why do we stretch when we yawn zme science** - Mar 31 2022

web apr 29 2023 the act of involuntary stretching while yawning is referred to as pandiculation in humans the behavior however is far from unique to us it's been observed in many different species

[stretching and flexibility how to stretch when to stretch webmd](#) - May 01 2022

web static stretching before exercise can weaken performance such as sprint speed in studies the most likely reason is that holding the stretch tires out your muscles

*the mystery of why some people develop als bbc future* - Dec 28 2021

web aug 26 2023 the reasons why people develop als are complicated for 10 15 of people with the condition it runs in the family in these cases a mutation in a particular gene would have been passed through

*why does stretching feel good benefits and why it feels good healthline* - Apr 12 2023

web aug 28 2020 endorphins are chemicals produced by your central nervous system and pituitary gland that function as neurotransmitters they have greater pain relieving effects than morphine and cause a feeling

**stretching focus on flexibility mayo clinic** - Jul 15 2023

web feb 12 2022 flexibility that is not equal on both sides may be a risk factor for injury focus on major muscle groups concentrate your stretches on major muscle groups such as your calves thighs hips lower back neck and shoulders make sure that you stretch both sides

[11 essential answers to why does stretching feel so good](#) - Jun 02 2022

web jul 24 2023 8 facilitates a good night's sleep stretching before bedtime has been found to be extremely beneficial for a person especially since it helps one sleep poor sleep cycles can contribute to stress making one feel fatigued and tiredness

throughout the day

*tight rigid muscles causes treatments and more medical news today* - Jan 29 2022

web jul 29 2021 chronic fatigue syndrome cfs is a complex disorder that causes a person to feel intense mental and physical fatigue some people also experience muscle stiffness or weakness

**9 benefits of stretching how to start safety tips and more** - Oct 06 2022

web increases blood flow to your muscles performing stretches on a regular basis may improve your circulation improved circulation increases blood flow to your muscles which can shorten your

**stretching myths facts and beginner s stretches healthline** - Feb 10 2023

web jan 11 2018 1 the best time to stretch is after exercise when your muscles are warm true and false it s safer to stretch a warm muscle and warm muscles are more relaxed and have greater range of

**buchvorstellung otto 899 592 km 26 jahre eine reise ein** - Jun 12 2023

web mar 22 2016 22 03 2016 buchvorstellung otto 899 592 km 26 jahre eine reise ein auto 26 jahre lang fahren gunther holtorf und otto sein mercedes g um die

*otto 899 592 kilometer 26 jahre eine reise ein auto* - Apr 10 2023

web 20 65 rrp 23 95 save 3 30 14 free returns free delivery tuesday 11 july details or fastest delivery sunday 9 july order within 4 hrs 11 mins details select

*otto 899 592 kilometer 26 jahre eine reise ein auto* - Nov 05 2022

web otto 899 592 kilometer 26 jahre eine reise ein auto finden sie alle bücher von gunther holtorf bei der büchersuchmaschine eurobuch com können sie antiquarische

*otto 899 592 kilometer 26 jahre eine reise picclick de* - Jan 27 2022

web otto 899 592 kilometer 26 jahre eine reise ein auto gunther holtorf unverkauft siehe ähnliche artikel eur 14 49 sofort kaufen kostenloser versand ebay

**amazon de kundenrezensionen otto 899 592 kilometer 26** - Oct 04 2022

web finden sie hilfreiche kundenrezensionen und rezensionsbewertungen für otto 899 592 kilometer 26 jahre eine reise ein auto auf amazon de lesen sie ehrliche und

*otto 899 592 kilometer 26 jahre eine reise ein au 2022* - Dec 26 2021

web 2 otto 899 592 kilometer 26 jahre eine reise ein au 2022 06 13 quellenmateri al sowie die literatur der deutschen bistümer domkapitel kollegiat und pfarrkirchen klöster

*otto 899 592 kilometer 26 jahre eine reise ein auto* - Mar 09 2023

web dec 5 2015 otto 899 592 kilometer 26 jahre eine reise ein auto holtorf gunther 9783868837780 amazon com books

**otto 899 592 km 26 jahre eine reise ein auto** - Jul 13 2023

web jun 13 2017 otto 899 592 km 26 jahre eine reise ein auto gunther holtorf 26 jahre lang dauerte die weltreise zu der gunther holtorf 1989 mit seiner mercedes g

otto 899 592 km 26 jahre eine reise ein auto m - May 11 2023

web dec 5 2015 aus dem inhalt 26 jahre lang dauerte die weltreise zu der gunther holtorf 1989 mit seiner mercedes g klasse otto aufbrach gemeinsam mit seiner frau

otto 899 592 kilometer 26 jahre eine reise ein auto - Jul 01 2022

web 899 592 kilometer 26 jahre eine reise ein auto gebundenes buch 26 jahre lang dauerte die weltreise zu der gunther holtorf 1989 mit seiner mercedes g klasse

otto 899 592 kilometer 26 jahre eine reise picclick de - Apr 29 2022

web otto 899 592 kilometer 26 jahre eine reise ein au buch zustand gut geld sparen nachhaltig shoppen unverkauft siehe ähnliche artikel eur 14 68 sofort

**otto 899 592 kilometer 26 jahre eine reise ein au copy** - Oct 24 2021

web jun 26 2023 otto 899 592 kilometer 26 jahre eine reise ein au 2 8 downloaded from uniport edu ng on june 26 2023 by guest the first volume in the long running series to

otto 899 592 kilometer 26 jahre eine reise ein auto - May 31 2022

web dec 5 2015 26 jahre lang dauerte die weltreise zu der gunther holtorf 1989 mit seiner mercedes g klasse otto aufbrach gemeinsam mit seiner frau christine durchquerten

**otto 899 592 kilometer 26 jahre eine reise ein auto** - Feb 08 2023

web otto 899 592 kilometer 26 jahre eine reise ein auto amazon com au books

**otto 899 592 kilometer 26 jahre eine reise ein au apistaging** - Sep 22 2021

web 2 otto 899 592 kilometer 26 jahre eine reise ein au 2021 07 29 collection in its entirety before the looting and destruction of war it is an invaluable tool in the fight against illicit

otto 899 592 kilometer 26 jahre eine reise ein au pdf - Nov 24 2021

web 4 otto 899 592 kilometer 26 jahre eine reise ein au 2019 12 24 and facilitate improvement clear presentation reinforces central ideas with multiple case studies in

**otto 899 592 kilometer 26 jahre eine reise ein auto** - Mar 29 2022

web das buch otto 899 592 kilometer 26 jahre eine reise ein auto kaufen suchen sie die besten schnäppchen um das buch otto 899 592 kilometer 26 jahre eine

3868837787 otto 899 592 kilometer 26 jahre eine reise - Dec 06 2022

web otto 899 592 kilometer 26 jahre eine reise ein auto finden sie alle bücher von gunther holtorf bei der büchersuchmaschine eurobuch de können sie antiquarische

**otto 899 592 kilometer 26 jahre eine reise ein auto** - Aug 14 2023

web 26 jahre lang dauerte die weltreise zu der gunther holtorf 1989 mit seiner mercedes g klasse otto aufbrach gemeinsam mit seiner frau christine durchquerten sie 215

amazon.com.au/customer-reviews/otto-899-592-kilometer-26-jahre-eine-reise-ein-auto - Aug 02 2022

web find helpful customer reviews and review ratings for otto 899 592 kilometer 26 jahre eine reise ein auto at amazon.com read honest and unbiased product reviews from

**otto 899 592 kilometer 26 jahre eine reise ein auto** - Sep 03 2022

web dec 5 2015 hardcover published december 5 2015 book details editions

*amazon.in/customer-reviews/otto-899-592-kilometer-26-jahre* - Feb 25 2022

web find helpful customer reviews and review ratings for otto 899 592 kilometer 26 jahre eine reise ein auto at amazon.com read honest and unbiased product reviews from

**otto 899 592 kilometer 26 jahre eine reise ein auto ebay** - Jan 07 2023

web entdecke otto 899 592 kilometer 26 jahre eine reise ein auto gunther holtorf in großer auswahl vergleichen angebote und preise online kaufen bei ebay kostenlose