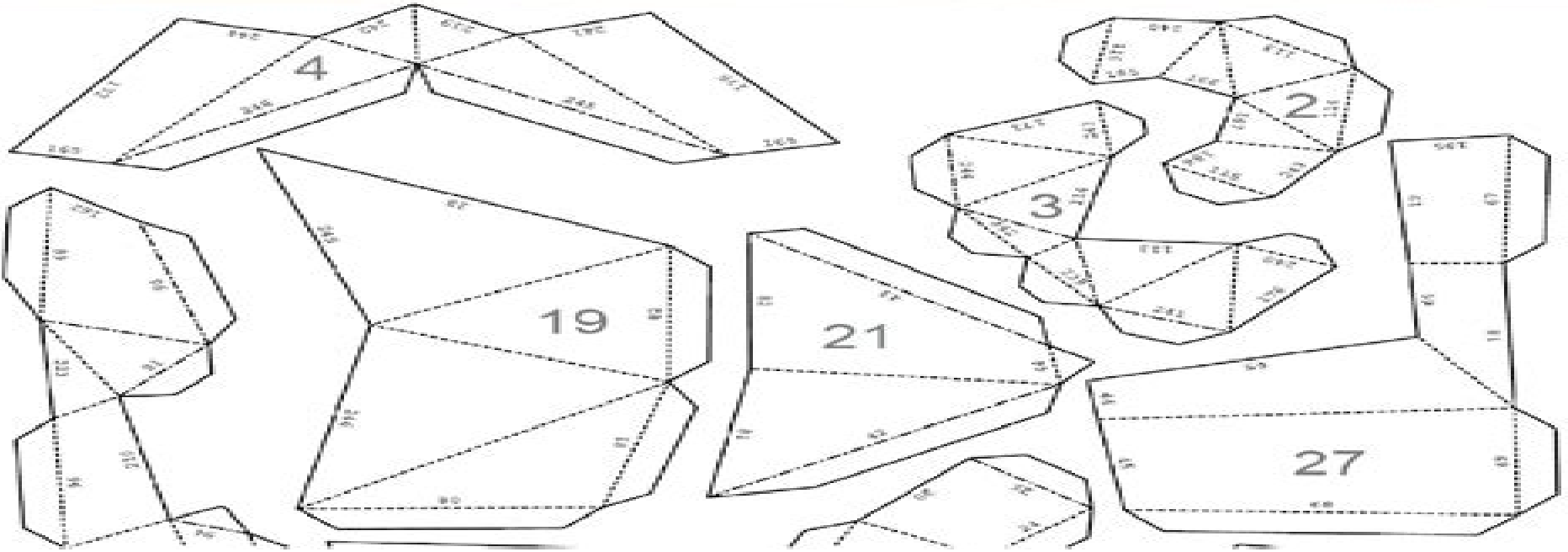




PDF PNG studio3



# 3d Paper Animal Head Template

**Michael Hoelscher**



## **3d Paper Animal Head Template:**

Delve into the emotional tapestry woven by Emotional Journey with in Experience **3d Paper Animal Head Template** . This ebook, available for download in a PDF format ( Download in PDF: \*), is more than just words on a page; it's a journey of connection and profound emotion. Immerse yourself in narratives that tug at your heartstrings. Download now to experience the pulse of each page and let your emotions run wild.

[https://py.bijouxmedusa.com/data/Resources/HomePages/Special\\_Forces\\_Mercenaries\\_Part\\_Ii\\_2\\_Aleksandr\\_Voinov.pdf](https://py.bijouxmedusa.com/data/Resources/HomePages/Special_Forces_Mercenaries_Part_Ii_2_Aleksandr_Voinov.pdf)

## **Table of Contents 3d Paper Animal Head Template**

1. Understanding the eBook 3d Paper Animal Head Template
  - The Rise of Digital Reading 3d Paper Animal Head Template
  - Advantages of eBooks Over Traditional Books
2. Identifying 3d Paper Animal Head Template
  - Exploring Different Genres
  - Considering Fiction vs. Non-Fiction
  - Determining Your Reading Goals
3. Choosing the Right eBook Platform
  - Popular eBook Platforms
  - Features to Look for in an 3d Paper Animal Head Template
  - User-Friendly Interface
4. Exploring eBook Recommendations from 3d Paper Animal Head Template
  - Personalized Recommendations
  - 3d Paper Animal Head Template User Reviews and Ratings
  - 3d Paper Animal Head Template and Bestseller Lists
5. Accessing 3d Paper Animal Head Template Free and Paid eBooks
  - 3d Paper Animal Head Template Public Domain eBooks
  - 3d Paper Animal Head Template eBook Subscription Services
  - 3d Paper Animal Head Template Budget-Friendly Options

6. Navigating 3d Paper Animal Head Template eBook Formats
  - ePub, PDF, MOBI, and More
  - 3d Paper Animal Head Template Compatibility with Devices
  - 3d Paper Animal Head Template Enhanced eBook Features
7. Enhancing Your Reading Experience
  - Adjustable Fonts and Text Sizes of 3d Paper Animal Head Template
  - Highlighting and Note-Taking 3d Paper Animal Head Template
  - Interactive Elements 3d Paper Animal Head Template
8. Staying Engaged with 3d Paper Animal Head Template
  - Joining Online Reading Communities
  - Participating in Virtual Book Clubs
  - Following Authors and Publishers 3d Paper Animal Head Template
9. Balancing eBooks and Physical Books 3d Paper Animal Head Template
  - Benefits of a Digital Library
  - Creating a Diverse Reading Collection 3d Paper Animal Head Template
10. Overcoming Reading Challenges
  - Dealing with Digital Eye Strain
  - Minimizing Distractions
  - Managing Screen Time
11. Cultivating a Reading Routine 3d Paper Animal Head Template
  - Setting Reading Goals 3d Paper Animal Head Template
  - Carving Out Dedicated Reading Time
12. Sourcing Reliable Information of 3d Paper Animal Head Template
  - Fact-Checking eBook Content of 3d Paper Animal Head Template
  - Distinguishing Credible Sources
13. Promoting Lifelong Learning
  - Utilizing eBooks for Skill Development
  - Exploring Educational eBooks
14. Embracing eBook Trends
  - Integration of Multimedia Elements

- 
- Interactive and Gamified eBooks

### **3d Paper Animal Head Template Introduction**

In today's digital age, the availability of 3d Paper Animal Head Template books and manuals for download has revolutionized the way we access information. Gone are the days of physically flipping through pages and carrying heavy textbooks or manuals. With just a few clicks, we can now access a wealth of knowledge from the comfort of our own homes or on the go. This article will explore the advantages of 3d Paper Animal Head Template books and manuals for download, along with some popular platforms that offer these resources. One of the significant advantages of 3d Paper Animal Head Template books and manuals for download is the cost-saving aspect. Traditional books and manuals can be costly, especially if you need to purchase several of them for educational or professional purposes. By accessing 3d Paper Animal Head Template versions, you eliminate the need to spend money on physical copies. This not only saves you money but also reduces the environmental impact associated with book production and transportation. Furthermore, 3d Paper Animal Head Template books and manuals for download are incredibly convenient. With just a computer or smartphone and an internet connection, you can access a vast library of resources on any subject imaginable. Whether you're a student looking for textbooks, a professional seeking industry-specific manuals, or someone interested in self-improvement, these digital resources provide an efficient and accessible means of acquiring knowledge. Moreover, PDF books and manuals offer a range of benefits compared to other digital formats. PDF files are designed to retain their formatting regardless of the device used to open them. This ensures that the content appears exactly as intended by the author, with no loss of formatting or missing graphics. Additionally, PDF files can be easily annotated, bookmarked, and searched for specific terms, making them highly practical for studying or referencing. When it comes to accessing 3d Paper Animal Head Template books and manuals, several platforms offer an extensive collection of resources. One such platform is Project Gutenberg, a nonprofit organization that provides over 60,000 free eBooks. These books are primarily in the public domain, meaning they can be freely distributed and downloaded. Project Gutenberg offers a wide range of classic literature, making it an excellent resource for literature enthusiasts. Another popular platform for 3d Paper Animal Head Template books and manuals is Open Library. Open Library is an initiative of the Internet Archive, a non-profit organization dedicated to digitizing cultural artifacts and making them accessible to the public. Open Library hosts millions of books, including both public domain works and contemporary titles. It also allows users to borrow digital copies of certain books for a limited period, similar to a library lending system. Additionally, many universities and educational institutions have their own digital libraries that provide free access to PDF books and manuals. These libraries often offer academic texts, research papers, and technical manuals, making them invaluable resources for students and researchers. Some notable examples include MIT OpenCourseWare, which offers free

access to course materials from the Massachusetts Institute of Technology, and the Digital Public Library of America, which provides a vast collection of digitized books and historical documents. In conclusion, 3d Paper Animal Head Template books and manuals for download have transformed the way we access information. They provide a cost-effective and convenient means of acquiring knowledge, offering the ability to access a vast library of resources at our fingertips. With platforms like Project Gutenberg, Open Library, and various digital libraries offered by educational institutions, we have access to an ever-expanding collection of books and manuals. Whether for educational, professional, or personal purposes, these digital resources serve as valuable tools for continuous learning and self-improvement. So why not take advantage of the vast world of 3d Paper Animal Head Template books and manuals for download and embark on your journey of knowledge?

### **FAQs About 3d Paper Animal Head Template Books**

How do I know which eBook platform is the best for me? Finding the best eBook platform depends on your reading preferences and device compatibility. Research different platforms, read user reviews, and explore their features before making a choice. Are free eBooks of good quality? Yes, many reputable platforms offer high-quality free eBooks, including classics and public domain works. However, make sure to verify the source to ensure the eBook credibility. Can I read eBooks without an eReader? Absolutely! Most eBook platforms offer webbased readers or mobile apps that allow you to read eBooks on your computer, tablet, or smartphone. How do I avoid digital eye strain while reading eBooks? To prevent digital eye strain, take regular breaks, adjust the font size and background color, and ensure proper lighting while reading eBooks. What the advantage of interactive eBooks? Interactive eBooks incorporate multimedia elements, quizzes, and activities, enhancing the reader engagement and providing a more immersive learning experience. 3d Paper Animal Head Template is one of the best book in our library for free trial. We provide copy of 3d Paper Animal Head Template in digital format, so the resources that you find are reliable. There are also many Ebooks of related with 3d Paper Animal Head Template. Where to download 3d Paper Animal Head Template online for free? Are you looking for 3d Paper Animal Head Template PDF? This is definitely going to save you time and cash in something you should think about. If you trying to find then search around for online. Without a doubt there are numerous these available and many of them have the freedom. However without doubt you receive whatever you purchase. An alternate way to get ideas is always to check another 3d Paper Animal Head Template. This method for see exactly what may be included and adopt these ideas to your book. This site will almost certainly help you save time and effort, money and stress. If you are looking for free books then you really should consider finding to assist you try this. Several of 3d Paper Animal Head Template are for sale to free while some are payable. If you arent sure if the books you would like to download works with for usage along with your computer, it is possible to download free trials. The free

guides make it easy for someone to free access online library for download books to your device. You can get free download on free trial for lots of books categories. Our library is the biggest of these that have literally hundreds of thousands of different products categories represented. You will also see that there are specific sites catered to different product types or categories, brands or niches related with 3d Paper Animal Head Template. So depending on what exactly you are searching, you will be able to choose e books to suit your own need. Need to access completely for Campbell Biology Seventh Edition book? Access Ebook without any digging. And by having access to our ebook online or by storing it on your computer, you have convenient answers with 3d Paper Animal Head Template To get started finding 3d Paper Animal Head Template, you are right to find our website which has a comprehensive collection of books online. Our library is the biggest of these that have literally hundreds of thousands of different products represented. You will also see that there are specific sites catered to different categories or niches related with 3d Paper Animal Head Template So depending on what exactly you are searching, you will be able to choose ebook to suit your own need. Thank you for reading 3d Paper Animal Head Template. Maybe you have knowledge that, people have search numerous times for their favorite readings like this 3d Paper Animal Head Template, but end up in harmful downloads. Rather than reading a good book with a cup of coffee in the afternoon, instead they juggled with some harmful bugs inside their laptop. 3d Paper Animal Head Template is available in our book collection an online access to it is set as public so you can download it instantly. Our digital library spans in multiple locations, allowing you to get the most less latency time to download any of our books like this one. Merely said, 3d Paper Animal Head Template is universally compatible with any devices to read.

### **Find 3d Paper Animal Head Template :**

**special forces mercenaries part ii 2 aleksandr voinov**

~~sl honey trigonometry solutions~~

~~speech therapy aphasia rehabilitation star workbook iv activities of daily living for attention cognition memory and problem solving~~

**sistemi scommesse calcio metodi vincenti guida completa**

**solution manual intermediate accounting kieso 14th edition**

solution manual viscous fluid flow

smart textiles for designers inventing the future of fabrics

**solution vector analysis by s m yusuf**

*software engineering question paper madras university see6g*

*solutions to engineering drawing n d bhatt*

---

source version originale 2 editions maison des langues

sn chugh medicine

solution manual of electronic devices by floyd 8th edition

some fixed point theorems of contraction mappings in

**social psychology by elliot aronson 8th edition**

### **3d Paper Animal Head Template :**

**ghana bece 2013 social studies past questions and** - Jan 29 2022

web 2 days ago a social and physical environments are inter dependent b physical environment is independent of the social environment c social environment is more important than the physical environment

*bece 2014 social studies questions paper 2 essay* - Jan 09 2023

web apr 20 2021 bece 2014 social studies questions paper 2 essay april 20 2021 wordpub bece downloads 2014 bece past q and a bece practice bece social studies essay composition 0 comments

social studies bece 2019 objectives schoolsingh - Mar 31 2022

web a police arrest b long term imprisonment c corporal punishment d access to quality education the main reason for which ghana cooperates with other countries is to a benefit in times of need b get free goods for her citizens c maintain political stability d prevent attack on ghanaians

*social studies bece past questions schoolsingh* - Aug 04 2022

web social studies bece 2014 the most effective measure for reducing the rapid population growth in ghana is promoting solve this

**download waec bece social studies past questions pdf** - Feb 10 2023

web waec bece social studies past questions and answers 2014 while we try to lay our hands on the most recent social studies past question we also want to appeal please if you have the most recent past questions you can send it to us via our official email address admin at ghstudents com in a pdf or png format

bece 2014 social studies past questions paper 2 essay - Dec 08 2022

web apr 20 2021 five contributions of the district assemblies to the development of ghana suggested points for your essay i promoting and supporting productive activity and social development in the district ii construction and maintenance of certain social amenities such as markets drains schools etc

**bece past questions answers 2014 social studies** - Aug 16 2023

web bece past questions answers 2014 social studies 1 some ghanaians mishandle the cedi notes by 2 a major way of

spreading hiv and aids is through d shaking hands with infected persons 3 adolescent abstinence from sexual related activity is 4

**social studies 2019 paper 1 objective questions 21 40** - May 01 2022

web apr 11 2020 click here to view answers click here to move to 2019 social studies paper 2 essay questions 1 2 click here to download and pay for the complete june 2019 social studies 1 2 q a pdf ghs 7 or here for 2014 2019 social studies papers 1 2 q a pdf ghs 20

**social studies bece 2013 objectives schoolsingh com** - Jun 02 2022

web a social and physical environments are inter dependent b physical environment is independent of the social environment c physical environment is never affected by the social environment d social environment is more important than the physical environment

**2014 bece social studies questions with answers ghana** - Jun 14 2023

web social studies 1 objective test 45 minutes 1 some ghanaians mishandle the cedi notes by a burning it b crumpling it c saving it d spending it 2 a major way of spreading hiv and aids is through a eating in public places b indiscriminate sexual relations c mosquito bites d shaking hands with infected persons 3

*social studies bece mbsse* - Jul 03 2022

web certi cate examination bece e aim is to improve learning achievement for weak or underperforming schools at the bece nationwide e social studies bece question paper is made up of two 2 sections section a has forty 40 objectives questions which pupils are required to answer

**bece social studies gh students** - Apr 12 2023

web bece social studies past questions solutions june 2014 social studies 1 objective test 45 minutes some ghanaians mishandle the cedi notes by burning it crumpling it saving it spending it a major way of spreading hiv and aids is through eating in public places indiscriminate sexual relations mosquito bites

**bece past questions answers 2014 social studies** - Nov 07 2022

web social studies 2 essay 1 hour this paper consists of three sections i ii and iii answer three questions only choosing one question from each section section i the environment answer one question only from this section 1

**ghana bece 2014 social studies past questions and** - Sep 05 2022

web first year shs students to sit for placement test after bece moe ges explains why the reopening date for first year shs students has been extended the 2023 school selection guidelines are here

**bece 2014 social studies paper 2 essay the thesis** - Feb 27 2022

web bece 2014 social studies paper 2 essay explore these waec past questions and answers to strengthen preparations for

upcoming exams

*social studies bece 2014 objectives schoolsingh* - Oct 06 2022

web social studies bece 2014 objectives instructions click or tab on the correct answer to select after you are comfortable with your selected answers click or tab on the mark button at the bottom to mark your work after answering and clicking on the mark button your work will be marked with your result show right before the questions and

*2014 bece social studies past questions and answers* - Jul 15 2023

web dec 25 2021 download all bece social studies past questions answers from 1990 up to 2021 here here is the 2014 bece social studies paper 1 past question in pdf format click on the link below to download the documents 2014 bece social studies 1

*bece 2014 social studies past question paper two galaxypassco* - Dec 28 2021

web bece 2014 social studies past question paper two 2014 social paper two 1 a differentiate between a map and a sketch b list the four main cardinal points that are used in showing direction c state the two main seasons and the periods in which they occur in ghana d describe how a cyclonic rainfall occurs

*1990 2021 social studies bece past questions answers* - May 13 2023

web aug 24 2020 social studies bece 2010 q and a word free get password social studies bece 2014 q and a pdf free social studies bece 2014 q and a word free social studies bece 2017 q and a pdf free get password social studies bece 2017 q and a word free get password

**bece 2014 social studies questions paper 1 objective answers** - Mar 11 2023

web apr 20 2021 answers 1 b crumpling it 2 b indiscriminate sexual relations 3 a chastity 4 a constitution 5 c responsibility 6 d recycling of waste materials 7 d tolerance 8 d girl child education 9 b high dependency burden 10 c rural urban drift 11 a arbitration and reconciliation 12 c interruption of developmental projects 13 a

**oxford english grammar course basic kitabı ve fiyatı** - Oct 08 2022

web oxford english grammar course basic cd learn and practice the grammar you need to speak and write in english short grammar explanations are easy to remember colour makes the grammar clear clear simple examples show how the grammar works

*english language and literature university of oxford* - Jan 31 2022

web jun 27 2023 about the course the english language and literature course at oxford is one of the broadest in the country giving you the chance to study writing in english from its origins in anglo saxon england to the present

*oxford english grammar course grammar and vocabulary* - Sep 19 2023

web real examples show how the grammar works in practice engaging practice activities include internet exercises grammar

in a text and grammar and vocabulary colour illustrations and cartoons put grammar in context exercises are organized into two levels of difficulty basic and intermediate only

**oxford english grammar course basic 2015 556p pdf** - Aug 18 2023

web jun 23 2021 oxford english grammar course basic 2015 556p pdf with audio added date 2021 06 23 16 23 45 identifier oxford english grammar course basic identifier ark ark 13960 t51h2db4s ocr tesseract 5 0 0 alpha 20201231 10 g1236

**oxford english grammar course basic with ВКонтакте** - Aug 06 2022

web may 13 2021 the oxford english grammar course is a new three level grammar guide based on a step by step approach and contains many interesting exercises the unique pronunciation for grammar cd rom to each level of grammar allows students to master grammatical structures through listening and to work out the correct english

**new york city oxford international english schools** - May 15 2023

web new york city study english in one of the world s most iconic cities the school is in the electric centre of new york with famous landmarks and household names nearby the rockefeller center broadway central park and times square are within walking distance

*courses oxford international english schools* - Dec 10 2022

web our most popular course general english suits every level of learner it builds general proficiency in english by working on the four main language skills reading writing listening and speaking

**free english grammar lessons oxford online english** - Jun 04 2022

web learn english grammar with free english grammar lessons from oxford online english our video lessons with clear explanations make english grammar easy

*oxford english grammar course oxford university press* - Apr 14 2023

web the complete e book of oxford english grammar course intermediate offers all the step by step teaching and practice material from the print book including automatically marked versions of the exercises

pdf michael swan catherine walter oxford english - May 03 2022

web oxford disclaims any responsibility for the materials contained in any third party website referenced in this work r sbn 978 0 19 431391 9 student s book with answers r sbn 978 0 19 431250 9 student s book and cdrom pack with answers printed in

**oxford english grammar courses download pdf** - Apr 02 2022

web feb 20 2023 the oxford english grammar courses are comprehensive guides to learn grammatical rules it is designed for intermediate to advanced learners this book covers a wide range of grammar topics including the parts of speech tenses sentence structure and punctuation

---

*oxford english grammar course oxford university press - Feb 12 2023*

web oxfordenglish grammarcourse basic level teacher s guide these lesson by lesson guides supplement the student s book exercises with hundreds of additional communicative and out of class practice activities to help students make the move from practising grammar to usinggrammar

**english courses for adults oxford international english - Jul 05 2022**

web learn english with confidence oxford international offers exceptional english courses in three amazing countries uk us and canada whether through specialist courses exam preparation or our wonderful social programme we believe there is something for everyone

**oxford english grammar course basic with key includes e - Sep 07 2022**

web oxford english grammar course basic with key includes e book kağıt kapak 11 temmuz 2019 a grammar practice series taking students from elementary to advanced updated to include interactive e books with the print books as well as downloadable tests

*oxford english grammar course with cd rom Intermediate - Nov 09 2022*

web oxford english grammar course basic and intermediate are revisions and expansions of the highly successful good grammar book and how english works the advanced level is completely new and includes grammar for reading writing and speaking

**oxford english grammar course student s site oxford - Mar 13 2023**

web 2 days ago welcome to the oxford english grammar course student s site

*oxford english grammar course oxford university press - Jan 11 2023*

web oxfordenglish grammarcourse advanced level teacher s guide these lesson by lesson guides supplement the student s book exercises with hundreds of additional communicative and out of class practice activities to help students make the move from practising grammar to usinggrammar

**oxford english grammar course oxford university press - Jun 16 2023**

web oxford english grammar course step by step to grammar success the oxford english grammar course is a new three level grammar course by award winning authors michael swan and catherine walter which offers step by

**english courses in oxford language international - Mar 01 2022**

web book the best english course in oxford on language international read student reviews and compare prices for 209 courses at english schools in oxford uk register online and get low prices guaranteed

[oxford english grammar course oxford university press - Jul 17 2023](#)

web oxford english grammar course has a free downloadable teacher s guide these lesson by lesson guides supplement the

student s book exercises with hundreds of additional communicative and out of class practice activities to help students make the move from practising grammar to using grammar

[tÉlÉcharger vba excel 2013 cours et exercices corrigés maîtrisez la](#) - Sep 04 2022

web ainsi la première partie couvre les notions fondamentales d un point de vue théorique et la seconde partie propose au lecteur de nombreux exercices ainsi qu un ensemble de travaux

*programmer sous excel macros et langage vba editions eni* - Nov 06 2022

web 2 programmer sous excel macros et langage vba vba excel 2016 2 4 4 activer les macros situées dans un emplacement donné 30 2 4 5 signatures électroniques de

**vba excel versions 2019 et office 365 programmer sous excel macros** - Apr 11 2023

web vba excel versions 2019 et office 365 programmer sous excel macros et langage vba michèle amelot

[vba excel 2013 cours et exercices corrigés maîtrisez la programmation](#) - Feb 09 2023

web 1ère partie vba excel 2013 programmer sous excel macros et langage vba outre les éléments de base du langage vba structure du langage et concepts de programmation objet vous permettant d automatiser les traitements vous apprendrez à concevoir des formulaires à personnaliser l interface d excel et notamment le ruban à

[débuter avec vba excel et la programmation youtube](#) - Dec 27 2021

web sep 7 2016 apprendre à programmer en visual basic sous excel pour créer des applications professionnelles très puissantes et répondre aux besoins d entreprise le vba excel est un langage

*programmer sous excel macros et langage vba* - Mar 30 2022

web programmer sous excel macros et langage vba vba excel 2016 trois étapes sont nécessaires à l écriture et à l exécution des événements de l objet application Étape 1 dinsérez un module de classe insertion module de classe ou ouvrez la liste et cliquez sur module de classe dune fois le module inséré nommez le exemple

*vba excel 2013 programmer sous excel macros et langage vba* - Aug 15 2023

web ref eni lnrim13excv ajouter au panier À la fois simple pratique et complet ce support sur vba excel 2013 s adresse aux utilisateurs d excel ou aux développeurs souhaitant créer des applications de tableur conviviales fiables et puissantes

**vba excel 2013 programmer sous excel macros et langage vba** - Mar 10 2023

web résumé ce livre de la collection vbook se compose d un livre de référence pour apprendre à programmer sous excel 2013 avec le langage vba et d un approfondissement sous forme de vidéo sur le développement en vba d un ruban personnalisé dans excel 2013 livre vba excel 2013 programmer sous excel macros et langage vba

**les 3 meilleurs livres pour apprendre les macros excel vba** - Feb 26 2022

web macros et langage vba apprendre à programmer sous excel plus technique que le précédent ce livre vous permettra de

passer à un niveau avancé en développement vba

*vba excel 2013 programmer sous excel macros et langage vba* - May 12 2023

web À la fois simple pratique et complet ce livre sur vba excel 2013 s adresse aux utilisateurs d excel ou aux développeurs souhaitant créer des applications de tableur conviviales fiables et puissantes outre les éléments de base du langage vba structure du langage et concepts de programmation objet vous permettant d automatiser les

[vba excel 2013 cours et exercices corrigés maîtrisez la](#) - Dec 07 2022

web vba excel 2013 cours et exercices corrigés maîtrisez la programmation sous excel michèle amelot claude duigou henri laugiÉ amazon com tr kitap

*vba excel 2013 programmer sous excel macros et langage vba* - Jun 13 2023

web vba excel 2013 programmer sous excel macros et langage vba broché 13 mai 2013 À la fois simple pratique et complet ce livre sur vba excel 2013 s adresse aux utilisateurs d excel ou aux développeurs souhaitant créer des applications de tableur conviviales fiables et puissantes

**fonctions et formules vba pour excel 2013 ma Éditions** - Jan 28 2022

web excel 2013 fonctions et formules pierre polard pour télécharger les exemples de l ouvrage cliquez ici fonctions et formules vba pour excel 2013 auteur s jean paul mesters pierre polard parution stockez et exécutez une macro supprimez les doublons utilisez les formulaires

[tutoriels vba apprendre et maîtriser le vba excel malin com](#) - Apr 30 2022

web tutoriels vba apprendre et maîtriser le vba 262 vous trouverez ici des tutoriels vba pour apprendre ou approfondir la connaissance de ses principes et à maîtriser ce langage de programmation les explications pas à pas avec des exemples de code et de l utilisation pratique

**pris en main avec vba dans office microsoft learn** - Jun 01 2022

web apr 6 2023 lorsque vous cliquez sur le bouton macro situé dans l onglet développeur cela ouvre la boîte de dialogue macros ce qui vous donne accès à des sous routines ou à des macros vba depuis un document ou une application en particulier

**cours vba gratuit excel pratique com** - Oct 05 2022

web cours vba gratuit grâce aux différentes leçons proposées vous allez apprendre le vba macros excel gratuitement si vous pensez que créer des macros est trop compliqué et que ce n est pas à votre portée soyez rassuré e ce cours est adapté aux personnes débutantes en programmation et démarre de zéro tout comme le cours excel

**livre macros et langage vba découvrez la programmation sous excel** - Jul 02 2022

web cet ouvrage est destiné aux personnes qui souhaitent découvrir la programmation vba avec excel ou qui souhaitent

comprendre comment fonctionnent les macros ces programmes qui permettent de gagner un temps considérable pour [vba excel 2013 maitrisez la programmation sous excel cours](#) - Jan 08 2023

web excel macros et langage vba extrait du résumé à la fois simple pratique et complet ce livre sur vba excel 2013 s adresse aux utilisateurs d excel ou aux développeurs souhaitant créer des applications de tableur conviviales fiables et puissantes les chapitres du livre avant propos présentation le langage vba la [démarrage rapide créer une macro support microsoft](#) - Aug 03 2022

web les macros et outils vba sont disponibles sous l onglet développeur ce qui est masqué par défaut la première étape consiste donc à l activer pour plus d informations voir afficher l onglet développeur enregistrer une macro dans le groupe code de l onglet développeur cliquez sur enregistrer une macro

**vba excel 2013 programmer sous excel macros et langage vba** - Jul 14 2023

web livre vba excel 2013 programmer sous excel macros et langage vba À la fois simple pratique et complet ce livre sur vba excel 2013 s adresse aux utilisateurs d excel ou aux développeurs souhaitant créer des applications de tableur conviviales fiables et