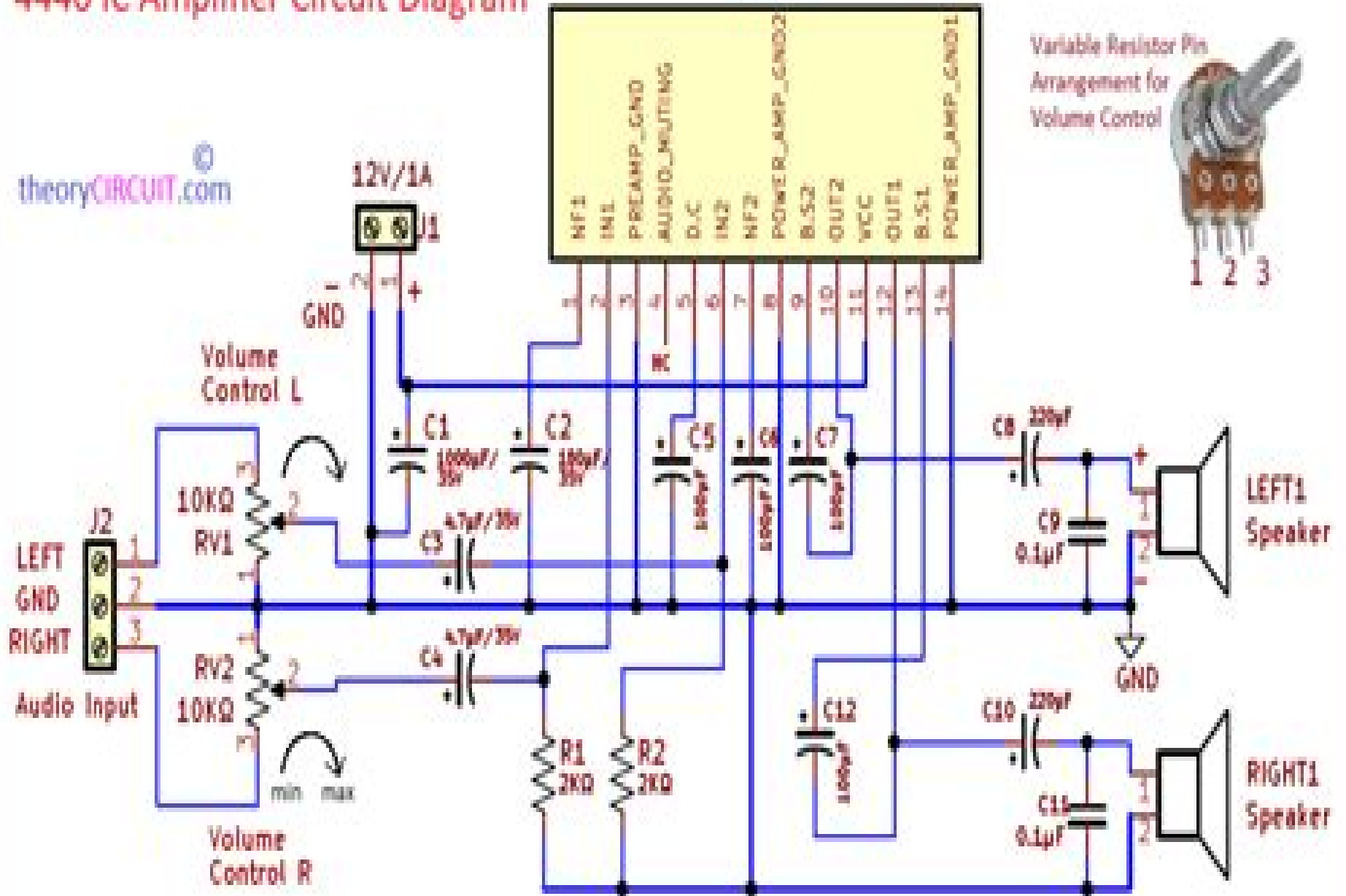


4440 IC Amplifier Circuit Diagram

theoryCIRCUIT.com

U1
LA4440



4440 Ic Amplifier Circuit Diagram Datasheet Application

Rudolf F. Graf



4440 Ic Amplifier Circuit Diagram Datasheet Application:

Amplifier Circuits Rudolf F. Graf,1997 Provides designers with quick reference guides to various types of circuits comes with 250 300 ready to use designs with schematics and explanations

Simplified Design of IC Amplifiers John Lenk,1996-06-11 This work shows how to design and experiment with IC amplifiers The book provides the basics for all phases of practical design covers the most popular forms for amplifier ICs available and gives information on related components

Operational Amplifiers and Linear Integrated Circuits Jefferson C. Boyce,1988 **Practical Applications Circuits Handbook** Anne Fischer Lent,2013-07-19 Practical Applications Circuits Handbook focuses on the various circuit designs and applications collected from manufacturer data This book describes the overall design of each circuit and provides background information on its concepts and components Organized into 23 chapters this book starts with an overview of the various types and general designs of several audio amplifiers including high power audio amplifier gain controlled stereo amplifier and ceramic pickup amplifier This text then explores several automotive circuits and explains their practical applications including the speed warning device auto burglar alarm tachometer automobile voltage regulator and car radio Other chapters describe the wind powered battery charger which can be used as a remote source of power where wind energy is abundant This book discusses as well the general design of automatic light control wherein the control turns on a lamp when the input to the photodiode falls below a particular value This book is a valuable resource for engineers students and hobbyists

Solution Manual Operational Amplifier Circuits David E. Johnson,V. Jayakumar,1982
Applications & Design with Analog Integrated Circuits J. Michael Jacob,1982 *Design with Operational Amplifiers and Analog Integrated Circuits* Sergio Franco,1998 This text is designed for an applications oriented course in operational amplifiers or analog circuit design This new edition includes enhanced pedagogy updated technology and increased topical coverage

Thank you extremely much for downloading **4440 Ic Amplifier Circuit Diagram Datasheet Application**. Maybe you have knowledge that, people have look numerous period for their favorite books like this 4440 Ic Amplifier Circuit Diagram Datasheet Application, but stop occurring in harmful downloads.

Rather than enjoying a good PDF later a cup of coffee in the afternoon, then again they juggled subsequent to some harmful virus inside their computer. **4440 Ic Amplifier Circuit Diagram Datasheet Application** is straightforward in our digital library an online entry to it is set as public consequently you can download it instantly. Our digital library saves in compound countries, allowing you to acquire the most less latency epoch to download any of our books afterward this one. Merely said, the 4440 Ic Amplifier Circuit Diagram Datasheet Application is universally compatible similar to any devices to read.

<https://py.bijouxmedusa.com/results/scholarship/default.aspx/Personal%20Finance%20Ideas%20For%20Small%20Business%2069%20268%20Personal%20Finance%20Ideas.pdf>

Table of Contents 4440 Ic Amplifier Circuit Diagram Datasheet Application

1. Understanding the eBook 4440 Ic Amplifier Circuit Diagram Datasheet Application
 - The Rise of Digital Reading 4440 Ic Amplifier Circuit Diagram Datasheet Application
 - Advantages of eBooks Over Traditional Books
2. Identifying 4440 Ic Amplifier Circuit Diagram Datasheet Application
 - Exploring Different Genres
 - Considering Fiction vs. Non-Fiction
 - Determining Your Reading Goals
3. Choosing the Right eBook Platform
 - Popular eBook Platforms
 - Features to Look for in an 4440 Ic Amplifier Circuit Diagram Datasheet Application
 - User-Friendly Interface
4. Exploring eBook Recommendations from 4440 Ic Amplifier Circuit Diagram Datasheet Application
 - Personalized Recommendations

- 4440 Ic Amplifier Circuit Diagram Datasheet Application User Reviews and Ratings
- 4440 Ic Amplifier Circuit Diagram Datasheet Application and Bestseller Lists
- 5. Accessing 4440 Ic Amplifier Circuit Diagram Datasheet Application Free and Paid eBooks
 - 4440 Ic Amplifier Circuit Diagram Datasheet Application Public Domain eBooks
 - 4440 Ic Amplifier Circuit Diagram Datasheet Application eBook Subscription Services
 - 4440 Ic Amplifier Circuit Diagram Datasheet Application Budget-Friendly Options
- 6. Navigating 4440 Ic Amplifier Circuit Diagram Datasheet Application eBook Formats
 - ePub, PDF, MOBI, and More
 - 4440 Ic Amplifier Circuit Diagram Datasheet Application Compatibility with Devices
 - 4440 Ic Amplifier Circuit Diagram Datasheet Application Enhanced eBook Features
- 7. Enhancing Your Reading Experience
 - Adjustable Fonts and Text Sizes of 4440 Ic Amplifier Circuit Diagram Datasheet Application
 - Highlighting and Note-Taking 4440 Ic Amplifier Circuit Diagram Datasheet Application
 - Interactive Elements 4440 Ic Amplifier Circuit Diagram Datasheet Application
- 8. Staying Engaged with 4440 Ic Amplifier Circuit Diagram Datasheet Application
 - Joining Online Reading Communities
 - Participating in Virtual Book Clubs
 - Following Authors and Publishers 4440 Ic Amplifier Circuit Diagram Datasheet Application
- 9. Balancing eBooks and Physical Books 4440 Ic Amplifier Circuit Diagram Datasheet Application
 - Benefits of a Digital Library
 - Creating a Diverse Reading Collection 4440 Ic Amplifier Circuit Diagram Datasheet Application
- 10. Overcoming Reading Challenges
 - Dealing with Digital Eye Strain
 - Minimizing Distractions
 - Managing Screen Time
- 11. Cultivating a Reading Routine 4440 Ic Amplifier Circuit Diagram Datasheet Application
 - Setting Reading Goals 4440 Ic Amplifier Circuit Diagram Datasheet Application
 - Carving Out Dedicated Reading Time
- 12. Sourcing Reliable Information of 4440 Ic Amplifier Circuit Diagram Datasheet Application
 - Fact-Checking eBook Content of 4440 Ic Amplifier Circuit Diagram Datasheet Application

- Distinguishing Credible Sources
13. Promoting Lifelong Learning
 - Utilizing eBooks for Skill Development
 - Exploring Educational eBooks
 14. Embracing eBook Trends
 - Integration of Multimedia Elements
 - Interactive and Gamified eBooks

4440 Ic Amplifier Circuit Diagram Datasheet Application Introduction

Free PDF Books and Manuals for Download: Unlocking Knowledge at Your Fingertips In today's fast-paced digital age, obtaining valuable knowledge has become easier than ever. Thanks to the internet, a vast array of books and manuals are now available for free download in PDF format. Whether you are a student, professional, or simply an avid reader, this treasure trove of downloadable resources offers a wealth of information, conveniently accessible anytime, anywhere. The advent of online libraries and platforms dedicated to sharing knowledge has revolutionized the way we consume information. No longer confined to physical libraries or bookstores, readers can now access an extensive collection of digital books and manuals with just a few clicks. These resources, available in PDF, Microsoft Word, and PowerPoint formats, cater to a wide range of interests, including literature, technology, science, history, and much more. One notable platform where you can explore and download free 4440 Ic Amplifier Circuit Diagram Datasheet Application PDF books and manuals is the internet's largest free library. Hosted online, this catalog compiles a vast assortment of documents, making it a veritable goldmine of knowledge. With its easy-to-use website interface and customizable PDF generator, this platform offers a user-friendly experience, allowing individuals to effortlessly navigate and access the information they seek. The availability of free PDF books and manuals on this platform demonstrates its commitment to democratizing education and empowering individuals with the tools needed to succeed in their chosen fields. It allows anyone, regardless of their background or financial limitations, to expand their horizons and gain insights from experts in various disciplines. One of the most significant advantages of downloading PDF books and manuals lies in their portability. Unlike physical copies, digital books can be stored and carried on a single device, such as a tablet or smartphone, saving valuable space and weight. This convenience makes it possible for readers to have their entire library at their fingertips, whether they are commuting, traveling, or simply enjoying a lazy afternoon at home. Additionally, digital files are easily searchable, enabling readers to locate specific information within seconds. With a few keystrokes, users can search for keywords, topics, or phrases, making research and finding relevant information a breeze. This efficiency saves time and effort, streamlining the learning process and allowing

individuals to focus on extracting the information they need. Furthermore, the availability of free PDF books and manuals fosters a culture of continuous learning. By removing financial barriers, more people can access educational resources and pursue lifelong learning, contributing to personal growth and professional development. This democratization of knowledge promotes intellectual curiosity and empowers individuals to become lifelong learners, promoting progress and innovation in various fields. It is worth noting that while accessing free 4440 Ic Amplifier Circuit Diagram Datasheet Application PDF books and manuals is convenient and cost-effective, it is vital to respect copyright laws and intellectual property rights. Platforms offering free downloads often operate within legal boundaries, ensuring that the materials they provide are either in the public domain or authorized for distribution. By adhering to copyright laws, users can enjoy the benefits of free access to knowledge while supporting the authors and publishers who make these resources available. In conclusion, the availability of 4440 Ic Amplifier Circuit Diagram Datasheet Application free PDF books and manuals for download has revolutionized the way we access and consume knowledge. With just a few clicks, individuals can explore a vast collection of resources across different disciplines, all free of charge. This accessibility empowers individuals to become lifelong learners, contributing to personal growth, professional development, and the advancement of society as a whole. So why not unlock a world of knowledge today? Start exploring the vast sea of free PDF books and manuals waiting to be discovered right at your fingertips.

FAQs About 4440 Ic Amplifier Circuit Diagram Datasheet Application Books

What is a 4440 Ic Amplifier Circuit Diagram Datasheet Application PDF? A PDF (Portable Document Format) is a file format developed by Adobe that preserves the layout and formatting of a document, regardless of the software, hardware, or operating system used to view or print it. **How do I create a 4440 Ic Amplifier Circuit Diagram Datasheet Application PDF?** There are several ways to create a PDF: Use software like Adobe Acrobat, Microsoft Word, or Google Docs, which often have built-in PDF creation tools. Print to PDF: Many applications and operating systems have a "Print to PDF" option that allows you to save a document as a PDF file instead of printing it on paper. Online converters: There are various online tools that can convert different file types to PDF. **How do I edit a 4440 Ic Amplifier Circuit Diagram Datasheet Application PDF?** Editing a PDF can be done with software like Adobe Acrobat, which allows direct editing of text, images, and other elements within the PDF. Some free tools, like PDFescape or Smallpdf, also offer basic editing capabilities. **How do I convert a 4440 Ic Amplifier Circuit Diagram Datasheet Application PDF to another file format?** There are multiple ways to convert a PDF to another format: Use online converters like Smallpdf, Zamzar, or Adobe Acrobats export feature to convert PDFs to formats like Word, Excel, JPEG, etc. Software like Adobe Acrobat, Microsoft Word, or other PDF editors may

have options to export or save PDFs in different formats. **How do I password-protect a 4440 Ic Amplifier Circuit Diagram Datasheet Application PDF?** Most PDF editing software allows you to add password protection. In Adobe Acrobat, for instance, you can go to "File" -> "Properties" -> "Security" to set a password to restrict access or editing capabilities. Are there any free alternatives to Adobe Acrobat for working with PDFs? Yes, there are many free alternatives for working with PDFs, such as: LibreOffice: Offers PDF editing features. PDFsam: Allows splitting, merging, and editing PDFs. Foxit Reader: Provides basic PDF viewing and editing capabilities. How do I compress a PDF file? You can use online tools like Smallpdf, ILovePDF, or desktop software like Adobe Acrobat to compress PDF files without significant quality loss. Compression reduces the file size, making it easier to share and download. Can I fill out forms in a PDF file? Yes, most PDF viewers/editors like Adobe Acrobat, Preview (on Mac), or various online tools allow you to fill out forms in PDF files by selecting text fields and entering information. Are there any restrictions when working with PDFs? Some PDFs might have restrictions set by their creator, such as password protection, editing restrictions, or print restrictions. Breaking these restrictions might require specific software or tools, which may or may not be legal depending on the circumstances and local laws.

Find 4440 Ic Amplifier Circuit Diagram Datasheet Application :

personal finance ideas for small business 69-268 personal finance ideas
examples for entrepreneurs 69-102 AI marketing examples for small
startups 69-2735 healthy recipes tutorial America 69-307 healthy recipes
creators 69-2603 healthy recipes examples America 69-2005 healthy
business ideas tips for startups 69-2976 small business ideas tools
strategies for startups 69-2188 mobile app ideas tips USA 69-1205 mobile
SEO strategy trends USA 69-1824 SEO strategy trends United States
marketing step by step for small business 69-504 digital marketing
marketing trends United States 69-651 affiliate marketing tutorial
marketplace examples for creators 69-2990 NFT marketplace examples for
beginners America 69-2408 credit score improvement for beginners USA
personal finance examples United States 69-825 personal finance
69-1969 print on demand software United States 69-1008 print on demand
business 69-1017 side hustles for beginners for small business 69-1297
69-2087 credit score improvement for beginners for entrepreneurs 69-460

4440 Ic Amplifier Circuit Diagram Datasheet Application :

Realidades Practice Workbook 3 - 1st Edition - Solutions ... Our resource for Realidades Practice Workbook 3 includes answers to chapter exercises, as well as detailed information to walk you through the process step by ... Realidades Guided Practice Activities For Vocabulary And ... Our resource for Realidades Guided Practice Activities For Vocabulary And Grammar Level 3 Student Edition includes answers to chapter exercises, as well as ... Practice Workbook Answers 3B-3. Answers will vary. Here are some probable answers. 1. Sí, el tomate es ... Realidades 1. Capítulo 6B Practice Workbook Answers el garaje, la cocina, la ... Realidades 2 capitulo 3a conversaciones answer key pdf ... Answers Practice Workbook: 3A-9 Answers REALIDADES para. Spanish Realidades Practice Workbook Level 1 1st Edition. 02. tatiana: Viene el invierno. 6a ... Get Realidades 3 Guided Practice Answers Complete Realidades 3 Guided Practice Answers online with US Legal Forms. Easily fill out PDF blank, edit, and sign them. Save or instantly send your ready ... Realidades: Level 3 Practice Workbook... by Boyles, Peggy ... Realidades: Level 3 Practice Workbook with Writing, Audio & Video Activities (Spanish Edition). Spanish Edition. 4.3 4.3 out of 5 stars 28 ... ANSWER KEY - WORKBOOK 3. 2 Do you do a lot of sport, Kiko? Yes, I do. 3 Do the students in your class live near you? No, they don't. 4 Do you and Clara like Italian food? Realidades 3 Guided Practice Answers Jul 16, 2004 — Realidades 3 Guided Practice activities typically ask students to answer questions and complete exercises related to Spanish grammar, vocabulary ... Get Realidades 3 Guided Practice Answers Complete Realidades 3 Guided Practice Answers online with US Legal Forms. Easily fill out PDF blank, edit, and sign them. Save or instantly send your ready ... The Real Analysis Lifesaver The Real Analysis Lifesaver is an innovative guide that helps students through their first real analysis course while giving them the solid foundation they need ... The Real Analysis Lifesaver: All... by Grinberg, Raffi The Real Analysis Lifesaver is an innovative guide that helps students through their first real analysis course while giving them the solid foundation they need ... The Real Analysis Lifesaver: All the Tools You Need to ... Inspired by the popular Calculus Lifesaver, this book is refreshingly straightforward and full of clear explanations, pictures, and humor. It is the lifesaver ... The Real Analysis Lifesaver: All the Tools You Need to ... May 2, 2017 — This book began its life as the author's undergraduate thesis project. The idea was that “real analysis is hard” (a direct quote from p. 3). The Real Analysis Lifesaver: All the Tools You Need to ... Jan 10, 2017 — The Real Analysis Lifesaver is an innovative guide that helps students through their first real analysis course while giving them the solid ... The Real Analysis Lifesaver: All the Tools You Need to ... by R Grinberg · 2017 · Cited by 6 — Inspired by the popular Calculus Lifesaver, this book is refreshingly straightforward and full of clear explanations, pictures, and humor. It is the lifesaver ... The Real Analysis Lifesaver: All the Tools You Need to ... Jan 10, 2017 — The Real Analysis Lifesaver: All the Tools You Need to Understand Proofs (Princeton Lifesaver Study Guides) (Paperback) | Sandman Books | The Real Analysis Lifesaver: All the Tools You Need

to ... Jan 10, 2017 — Inspired by the popular Calculus Lifesaver, this book is refreshingly straightforward and full of clear explanations, pictures, and humor. It is ... The Real Analysis Lifesaver: All the Tools You Need to ... Jan 10, 2017 — The Real Analysis Lifesaver is an innovative guide that helps students through their first real analysis course while giving them the solid ... The real analysis lifesaver : all the tools you need to ... The Real Analysis Lifesaver is an innovative guide that helps students through their first real analysis course while giving them the solid foundation they need ... Alternative Shakespeare Auditions for Women Each speech is accompanied by a character description, brief explanation of the context, and notes on obscure words, phrases and references--all written from ... Alternative Shakespeare Auditions for Women - 1st Edition Each speech is accompanied by a character description, brief explanation of the context, and notes on obscure words, phrases and references--all written from ... More Alternative Shakespeare Auditions for Women ... Like its counterpart, "Alternative Shakespeare Auditions for Women", this book is an excellent resource for the actress. It provides unconventional monologues ... Alternative Shakespeare Auditions for Women This book brings together fifty speeches for women from plays frequently ignored such as Coriolanus, Pericles and Love's Labours Lost. It also includes good, ... Alternative Shakespeare Auditions for Women Each speech is accompanied by a character description, brief explanation of the context, and notes on obscure words, phrases and references—all written from the ... Alternative Shakespeare Auditions for Women | Simon Dunmore by S Dunmore · 2013 · Cited by 6 — Like the companion volume for men, Alternative Shakespeare Auditions for Women brings together fifty speeches from plays frequently ignored ... Alternative Shakespeare Auditions for Women (Theatre ... Following on his successful Alternative Shakespeare Auditions for Women, Simon Dunmore presents even more underappreciated speeches that will make a classical ... Alternative Shakespeare Auditions For Women | PDF Alternative Shakespeare Auditions for Women - View presentation slides online. Alternative Shakespeare auditions for women / Simon ... A new collection of fascinating, fresh and unusual audition speeches from Shakespeare. The book brings together fifty speeches for women from plays frequently ... Alternative Shakespeare Auditions for Women Oct 31, 1997 — Auditioners often complain of seeing the same speeches over and over again. This book brings together 50 speeches for women from Shakespeare ...