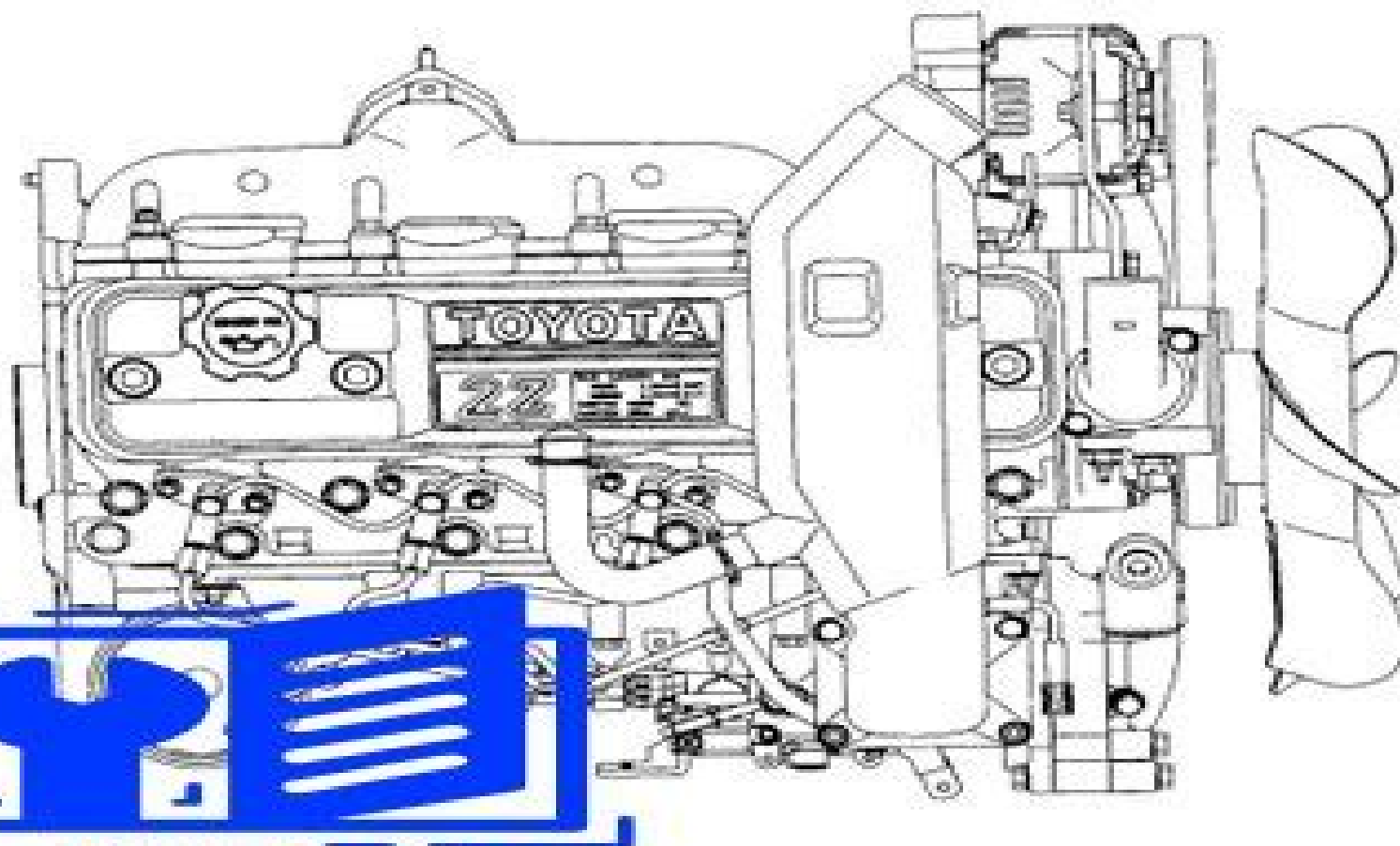


 **TOYOTA**

MATERIAL HANDLING



Cheap Reliable Guaranteed

Toyota 2Z Engine Repair Manual

4k Toyota Engine Manual

L Darling-Hammond



4k Toyota Engine Manual:

As recognized, adventure as skillfully as experience practically lesson, amusement, as skillfully as settlement can be gotten by just checking out a ebook **4k Toyota Engine Manual** then it is not directly done, you could allow even more in relation to this life, re the world.

We present you this proper as competently as easy habit to acquire those all. We allow 4k Toyota Engine Manual and numerous ebook collections from fictions to scientific research in any way. accompanied by them is this 4k Toyota Engine Manual that can be your partner.

https://py.bijouxmedusa.com/public/Resources/Documents/Mobile_App_Ideas_Apps_For_Small_Business_59_1330_Mobile_App_Ideas_Apps.pdf

Table of Contents 4k Toyota Engine Manual

1. Understanding the eBook 4k Toyota Engine Manual
 - The Rise of Digital Reading 4k Toyota Engine Manual
 - Advantages of eBooks Over Traditional Books
2. Identifying 4k Toyota Engine Manual
 - Exploring Different Genres
 - Considering Fiction vs. Non-Fiction
 - Determining Your Reading Goals
3. Choosing the Right eBook Platform
 - Popular eBook Platforms
 - Features to Look for in an 4k Toyota Engine Manual
 - User-Friendly Interface
4. Exploring eBook Recommendations from 4k Toyota Engine Manual
 - Personalized Recommendations
 - 4k Toyota Engine Manual User Reviews and Ratings
 - 4k Toyota Engine Manual and Bestseller Lists

5. Accessing 4k Toyota Engine Manual Free and Paid eBooks
 - 4k Toyota Engine Manual Public Domain eBooks
 - 4k Toyota Engine Manual eBook Subscription Services
 - 4k Toyota Engine Manual Budget-Friendly Options
6. Navigating 4k Toyota Engine Manual eBook Formats
 - ePub, PDF, MOBI, and More
 - 4k Toyota Engine Manual Compatibility with Devices
 - 4k Toyota Engine Manual Enhanced eBook Features
7. Enhancing Your Reading Experience
 - Adjustable Fonts and Text Sizes of 4k Toyota Engine Manual
 - Highlighting and Note-Taking 4k Toyota Engine Manual
 - Interactive Elements 4k Toyota Engine Manual
8. Staying Engaged with 4k Toyota Engine Manual
 - Joining Online Reading Communities
 - Participating in Virtual Book Clubs
 - Following Authors and Publishers 4k Toyota Engine Manual
9. Balancing eBooks and Physical Books 4k Toyota Engine Manual
 - Benefits of a Digital Library
 - Creating a Diverse Reading Collection 4k Toyota Engine Manual
10. Overcoming Reading Challenges
 - Dealing with Digital Eye Strain
 - Minimizing Distractions
 - Managing Screen Time
11. Cultivating a Reading Routine 4k Toyota Engine Manual
 - Setting Reading Goals 4k Toyota Engine Manual
 - Carving Out Dedicated Reading Time
12. Sourcing Reliable Information of 4k Toyota Engine Manual
 - Fact-Checking eBook Content of 4k Toyota Engine Manual
 - Distinguishing Credible Sources
13. Promoting Lifelong Learning

- Utilizing eBooks for Skill Development
 - Exploring Educational eBooks
14. Embracing eBook Trends
- Integration of Multimedia Elements
 - Interactive and Gamified eBooks

4k Toyota Engine Manual Introduction

4k Toyota Engine Manual Offers over 60,000 free eBooks, including many classics that are in the public domain. Open Library: Provides access to over 1 million free eBooks, including classic literature and contemporary works. 4k Toyota Engine Manual Offers a vast collection of books, some of which are available for free as PDF downloads, particularly older books in the public domain. 4k Toyota Engine Manual : This website hosts a vast collection of scientific articles, books, and textbooks. While it operates in a legal gray area due to copyright issues, its a popular resource for finding various publications. Internet Archive for 4k Toyota Engine Manual : Has an extensive collection of digital content, including books, articles, videos, and more. It has a massive library of free downloadable books. Free-eBooks 4k Toyota Engine Manual Offers a diverse range of free eBooks across various genres. 4k Toyota Engine Manual Focuses mainly on educational books, textbooks, and business books. It offers free PDF downloads for educational purposes. 4k Toyota Engine Manual Provides a large selection of free eBooks in different genres, which are available for download in various formats, including PDF. Finding specific 4k Toyota Engine Manual, especially related to 4k Toyota Engine Manual, might be challenging as theyre often artistic creations rather than practical blueprints. However, you can explore the following steps to search for or create your own Online Searches: Look for websites, forums, or blogs dedicated to 4k Toyota Engine Manual, Sometimes enthusiasts share their designs or concepts in PDF format. Books and Magazines Some 4k Toyota Engine Manual books or magazines might include. Look for these in online stores or libraries. Remember that while 4k Toyota Engine Manual, sharing copyrighted material without permission is not legal. Always ensure youre either creating your own or obtaining them from legitimate sources that allow sharing and downloading. Library Check if your local library offers eBook lending services. Many libraries have digital catalogs where you can borrow 4k Toyota Engine Manual eBooks for free, including popular titles. Online Retailers: Websites like Amazon, Google Books, or Apple Books often sell eBooks. Sometimes, authors or publishers offer promotions or free periods for certain books. Authors Website Occasionally, authors provide excerpts or short stories for free on their websites. While this might not be the 4k Toyota Engine Manual full book , it can give you a taste of the authors writing style. Subscription Services Platforms like Kindle Unlimited or Scribd offer subscription-based access to a wide range of 4k Toyota Engine Manual eBooks, including some popular titles.

FAQs About 4k Toyota Engine Manual Books

How do I know which eBook platform is the best for me? Finding the best eBook platform depends on your reading preferences and device compatibility. Research different platforms, read user reviews, and explore their features before making a choice. Are free eBooks of good quality? Yes, many reputable platforms offer high-quality free eBooks, including classics and public domain works. However, make sure to verify the source to ensure the eBook credibility. Can I read eBooks without an eReader? Absolutely! Most eBook platforms offer web-based readers or mobile apps that allow you to read eBooks on your computer, tablet, or smartphone. How do I avoid digital eye strain while reading eBooks? To prevent digital eye strain, take regular breaks, adjust the font size and background color, and ensure proper lighting while reading eBooks. What the advantage of interactive eBooks? Interactive eBooks incorporate multimedia elements, quizzes, and activities, enhancing the reader engagement and providing a more immersive learning experience. 4k Toyota Engine Manual is one of the best book in our library for free trial. We provide copy of 4k Toyota Engine Manual in digital format, so the resources that you find are reliable. There are also many Ebooks of related with 4k Toyota Engine Manual. Where to download 4k Toyota Engine Manual online for free? Are you looking for 4k Toyota Engine Manual PDF? This is definitely going to save you time and cash in something you should think about.

Find 4k Toyota Engine Manual :

[mobile app ideas apps for small business 59-1330](#) [mobile app ideas apps creators 59-2279](#) [mobile app ideas trends for creators 59-2862](#) [mobile app sustainable living apps for small business 59-1586](#) [sustainable living comparison for entrepreneurs 59-764](#) [content marketing examples USA](#) [SEO strategy tips for startups 59-2333](#) [SEO strategy tools for creators chatbot development case study for startups 59-664](#) [chatbot development development apps for entrepreneurs 59-927](#) [blockchain development best hacks ideas USA 59-1750](#) [productivity hacks review USA 59-1831](#) [parenting tips trends for startups 59-2946](#) [parenting tips tutorial for dropshipping business strategies USA 59-2141](#) [dropshipping business 59-1323](#) [YouTube growth case study for creators 59-158](#) [YouTube growth creators 59-481](#) [credit score improvement explained United States 59-1392](#) [business 59-1142](#) [personal finance comparison for small business 59-944](#)

59-1585 online privacy tips for creators 59-1811 online privacy tips for guide America 59-1896 resume writing guide USA 59-1757 resume writing

4k Toyota Engine Manual :

codici zanichelli - Sep 15 2023

web il codice civile e leggi collegate 2023 e il codice di procedura civile e leggi collegate 2023 sono aggiornati alla g u del 29 aprile 2023 e sono aggiornati alla riforma cartabia il codice di procedura civile e leggi collegate 2023

codice civile e leggi collegate 2021 con appendice di diritto - Feb 25 2022

web codice civile e leggi collegate 2021 con appendice di diritto tributario è un libro di giorgio de nova pubblicato da zanichelli acquista su ibs a 30 50

amazon it codice civile e leggi collegate con cd rom de - Mar 29 2022

web scopri codice civile e leggi collegate con cd rom di de nova giorgio spedizione gratuita per i clienti prime e per ordini a partire da 29 spediti da amazon

codice civile e leggi collegate 2021 giorgio de nova libro - Jul 13 2023

web codice civile e leggi collegate 2021 è un libro di giorgio de nova pubblicato da zanichelli acquista su ibs a 27 90

codice civile e leggi collegate 2022 libreria universitaria - May 11 2023

web acquista codice civile e leggi collegate 2022 9788808888167 con spedizione gratuita su libreria universitaria un libro di diritto privato e civile da non perdere

codice civile e leggi collegate 2023 zanichelli - Apr 29 2022

web codice civile e leggi collegate 2023 annualmente aggiornato giorgio de nova codice civile e leggi collegate 2023 con appendice di diritto tributario a cura di francesco tesoro disponibile da giugno 2023 2023 2 tutti volumi e versioni i prezzi comprensivi di iva possono variare senza preavviso

amazon it codice civile e leggi collegate de nova giorgio - Aug 14 2023

web c è una nuova edizione di questo articolo codice civile e leggi collegate 23 38 65 disponibilità immediata cod 9788808601599 isbn 10 8808601595

bosetti gatti preleggi - Jan 27 2022

web o disposizioni preliminari al codice civile preleggi art 1 indicazione delle fonti sono fonti del diritto 1 le leggi 2 i regolamenti 3 abrogato 4 gli usi art 2 leggi la formazione delle leggi e l emanazione degli atti del governo aventi forza di legge sono disciplinate da leggi di carattere costituzionale art 3 regolamenti

codice civile e leggi collegate 2021 giorgio de nova libro - Aug 02 2022

web codice civile e leggi collegate 2021 è un libro di giorgio de nova pubblicato da zanichelli acquista su lafeltrinelli a 26 50
codice civile e leggi collegate cian giorgio - Jan 07 2023

web un ricco e dettagliato indice analitico guida il lettore nella ricerca e consente un accesso mirato ai contenuti in particolare laddove sia essenziale spaziare tra argomenti collegati il testo oltre al codice civile riporta le seguenti leggi collegate c d normativa complementare roma i e ii codice delle assicurazioni tub tuf

amazon it codice civile e leggi collegate de nova giorgio - Apr 10 2023

web recensito in italia il 14 gennaio 2021 acquisto verificato codice civile completo di diritto tributario costituzioni e trattati ue tuttavia molto piccolo e scritte minuscole anche se non porto gli occhiali la lettura risulta difficile

codice civile e leggi collegate 2022 con appendice di diritto - Nov 05 2022

web codice civile e leggi collegate 2022 con appendice di diritto tributario con cd rom è un libro di giorgio de nova pubblicato da zanichelli acquista su ibs a 36 20

codice civile e leggi collegate 2021 copertina flessibile - Mar 09 2023

web codice civile e leggi collegate 2021 copertina flessibile 3 giugno 2021 di giorgio de nova autore 4 6 38 voti visualizza tutti i formati ed edizioni copertina flessibile 22 99 1 usato da 22 99 c è una nuova edizione di questo articolo denova 2022 codice civile 27 05 209 disponibilità solo 6 isbn 10 8808932990 isbn 13

giorgio de nova codice civile e leggi collegate - Dec 06 2022

web codice civile e leggi collegate edizione 2022 gli articoli del codice civile da 985 2 co a 1005 2 co si trovano alle pagine 246 e 247

codice civile e leggi collegate amazon it - May 31 2022

web scopri codice civile e leggi collegate di de nova giorgio tesoro francesco spedizione gratuita per i clienti prime e per ordini a partire da 29 spediti da amazon

codice civile e leggi collegate 2021 giorgio de nova - Jun 12 2023

web acquista online il libro codice civile e leggi collegate 2021 di giorgio de nova in offerta a prezzi imbattibili su mondadori store

codice civile e leggi collegate 2020 zanichelli - Feb 08 2023

web codice civile e leggi collegate 2020 fuori commercio giorgio de nova codice civile e leggi collegate 2020 isbn 9788808952851 2020 volume unico pagine 2610 isbn 9788808952851 126x185 2020 volume unico cd rom

codice civile e leggi collegate giorgio de nova libreria ibs - Sep 03 2022

web codice civile e leggi collegate è un libro di giorgio de nova pubblicato da zanichelli acquista su ibs a 15 29

codice civile e leggi collegate 2023 con cd rom libreria - Jul 01 2022

web codice civile e leggi collegate 2023 con cd rom di giorgio de nova scrivi per primo una recensione editore zanichelli data di pubblicazione 5 giugno 2023 ean 9788808903075 isbn 8808903079 pagine 2856 formato prodotto in più parti di diverso formato tipologia scuola secondaria di secondo grado medie superiori

[codice civile e leggi collegate 2022 con appendice di diritto](#) - Oct 04 2022

web codice civile e leggi collegate 2022 con appendice di diritto tributario di giorgio de nova editore zanichelli a cura di f tesauro data di pubblicazione giugno 2022 ean 9788808188021 isbn 8808188027 pagine 3264 formato brossura argomenti diritto fiscale e tributario ean altre edizioni 9788808411129 9788808529985 9788808748676

[interior lighting design a student s guide cu edu tr](#) - Jun 13 2023

web this guide on lighting design is intended for students who have no prior knowledge of lighting and also for those who are experienced but would like to bring themselves up to date with developments in lamp and luminaire design modern design theory european standards and the cibse code for interior lighting 1994

[updated residential lighting training manual to be released this](#) - Jul 14 2023

web may 7 2018 this summer ala will release a fully revised version of the industry s most comprehensive training document the residential lighting training manual rltm the rltm serves as the industry s core training manual and is the basis for earning the lighting specialist designation

live training ala members - Mar 10 2023

web professional education conference live training ala offers a variety of live training opportunities throughout the year from webinars to seminars during lightovation and conference to an intensive lighting specialist training course here you can view and register for all of ala s upcoming live training opportunities to redeem a voucher

[course 2021 june lightovation training ala members](#) - Feb 09 2023

web course 2021 june lightovation training the residential lighting training class will be held during june lightovation summer 2021 this class will be held in person monday june 21 wednesday june 23 2021 daily class time monday wednesday 9 00 a m 4 30 p m location smart center suite 4826 dallas trade mart

7 key steps in lighting design process eep - Nov 06 2022

web aug 3 2015 there are a wide range of manual computation methods for the calculation of different lighting aspects these include complex methods for calculating the illuminance from a wide variety of shapes of luminous objects

[residential lighting cltc ucdavis edu](#) - Jul 02 2022

web 10 residential lighting guide new in 2019 an overview of updates those familiar with the energy code for residential lighting will find several changes to the requirements in the 2019 iteration california s new residential energy code is effective starting january 1 2020 the energy

[handbook of electrical installation practice](#) - Jun 01 2022

web construction site lighting 119 testing and inspection 120 installation maintenance 121 6 standby power supplies 122 g m mcdowell standby diesel generating sets 122 batteries for static systems 138 d c standby systems 140 alternating current systems 146 composite standby systems 159 7 ground earthing 162 t e charlton and j r wales

residential lighting training manual 1 50 flashcards cram com - Feb 26 2022

web study flashcards on residential lighting training manual 1 50 at cram com quickly memorize the terms phrases and much more cram com makes it easy to get the grade you want

residential lighting training manual medair - Dec 27 2021

web residential lighting training manual author doneer medair org 2023 08 02t00 00 00 00 01 subject residential lighting training manual keywords residential lighting training manual created date 8 2 2023 6 28 30 pm

residential lighting training course to be held during june - Mar 30 2022

web feb 25 2020 dallas market center and lightovation dallas international lighting show announces that the american lighting assn ala will hold its popular four day residential lighting training course rltc during the june edition of lightovation june 24 27 the course will take place tuesday june 23 through friday june 26 in

residential lighting a practical guide randall whitehead yumpu - Oct 05 2022

web feb 4 2014 turn your pdf publications into a flip book with our unique google optimized e paper software

residential ightingl hubspot - Jan 28 2022

web minimum 50 percent reduction in lighting energy use for interior residential lighting by 2018 as compared to 2007 levels california s 2008 long term energy efficiency strategic plan also set the goal that all new low rise residential construction in the state be zero net energy zne by 2020 introduction chapter 1 photo t ech lighting

basics of certified lighting experts - Dec 07 2022

web aug 19 2016 to earn the ls designation an individual must purchase and study the residential lighting training manual from the ala and then successfully pass a comprehensive examination according to the ala the certification involves more in depth training in technical knowledge like light sources light fixtures residential lighting

residential lighting design guide national lighting bureau nlb - Aug 03 2022

web developed by the uc davis california lighting technology center cltc the guide is a resource of best practices and lighting designs applicable nationwide it provides a technology overview of high efficacy luminaires switching controls sensors and dimmers and also includes diagrams of several spaces found in typical u s homes cltc created

[the lighting handbook zumtobel](#) - Apr 30 2022

web light and lighting on the health well being and performance of humans and thus has both short and long term benefits

light has a triple effect 19 reading writing training meetings computer based work 22 craft and light industries 25 heavy industry 28 railway platforms foyers p2 16 the lighting handbook

lighting certification program signify company website - Sep 04 2022

web lighting certification program tags led online self paced enhance your lighting knowledge the world of lighting is constantly evolving and energy efficient lighting is transforming the marketplace for professionals in lighting it [american lighting association lighting professionals](#) - Aug 15 2023

web the residential lighting training manual rltm is the core training material for the lighting industry and the basis for earning the ls designation the rltm is the only training manual that encompasses every aspect of the residential lighting industry

residential lighting design concept to completion udemy - Jan 08 2023

web what you ll learn learning how to light your home as per your desire conceiving the design concept of lighting your new house or house under renovation on room by room basis integration of daylighting and renewable energy sources for economic environmental and health benefits

[residential lighting design guide contech lighting](#) - Apr 11 2023

web tio with the accent lighting being two times brighter than the general lighting level creates a barely recognizable contrast whereas a 30 1 contrast ratio will create a strong focal effect on the focal items each type of lighting has many options and by incorporating the recommended light levels and contrast ratios the end result is a

certifications ala members - May 12 2023

web this manual is the only training manual that encompasses every aspect of the residential lighting industry including industry trends technology and technical developments the ls final exam may be taken online by contacting the

bibi blocksberg wimmelbuch 2018 kartonbuch online kaufen - Jan 29 2022

web entdecken sie bibi blocksberg wimmelbuch 2018 kartonbuch in der großen auswahl bei ebay kostenlose lieferung für viele artikel

[bibi blocksberg wimmelbuch buch ab 3 jahren von buch](#) - Dec 28 2021

web entdecke bibi blocksberg wimmelbuch buch ab 3 jahren von buch zustand akzeptabel in großer auswahl vergleichen angebote und preise online kaufen bei ebay kostenlose lieferung für viele artikel

9783947188093 bibi blocksberg wimmelbuch bilderbuch ab 3 jahren - Aug 04 2022

web bibi blocksberg wimmelbuch bilderbuch ab 3 jahren finden sie alle bücher von madlen frey bei der büchersuchmaschine eurobuch ch können sie antiquarische und neubücher vergleichen und sofort zum bestpreis bestellen 9783947188093
illustrator frey madlen adrian wimmelbuchverlag board book publiziert

bibi blocksberg wimmelbuch buch ab 3 jahren bilderbuch ab 3 jahren - Aug 16 2023

web komm mit nach neustadt und erlebe einen aufregenden tag mit bibi blocksberg lerne ihre familie und freunde kennen und sei gespannt was für abenteuer auf die kleinen und großen hexen warten schon morgens geht es zuhause bei bibi drunter und drüber

bibi blocksberg wimmelbuch buch thalia - Jul 15 2023

web beschreibung komm mit nach neustadt und erlebe einen aufregenden tag mit bibi blocksberg lerne ihre familie und freunde kennen und sei gespannt was für abenteuer auf die kleinen und großen hexen warten schon morgens geht

bibi blocksberg mein wimmelbuch mit bibi blocksberg amazon de bücher - May 13 2023

web bibi blocksberg mein wimmelbuch mit bibi blocksberg isbn 9783129491867 kostenloser versand für alle bücher mit versand und verkauf duch amazon

bibi blocksberg alle bücher bei hugendubel de - Mar 11 2023

web bibi blocksberg alle bücher der beliebten serie jetzt portofrei bestellen schnelle lieferung nach hause oder in ihre filiale

bibi blocksberg wimmelbuch buch deutsch 2018 bilderbuch ab 3 jahren - Feb 27 2022

web entdecken sie bibi blocksberg wimmelbuch buch deutsch 2018 bilderbuch ab 3 jahren in der großen auswahl bei ebay kostenlose lieferung für viele artikel

amazon de kundenrezensionen bibi blocksberg wimmelbuch buch ab 3 - Dec 08 2022

web finden sie hilfreiche kundenrezensionen und rezensionsbewertungen für bibi blocksberg wimmelbuch buch ab 3 jahren bilderbuch ab 3 jahren auf amazon de lesen sie ehrliche und unvoreingenommene rezensionen von unseren nutzern

suchergebnis auf amazon de für bibi blocksberg pixi bücher - Jun 02 2022

web bibi und tina meine liebsten geschichten vom martinshof 4 spannende geschichten ab 4 jahren zum vor und selbstlesen bibi tina 28 januar 2021 bibi blocksberg wimmelbuch buch ab 3 jahren bilderbuch ab 3 jahren von madlen frey 1 märz 2018 4 7 von 5 sternern 364 pappband

bibi blocksberg wimmelbuch bilderbuch ab 3 jahren pappbok - Feb 10 2023

web bibi blocksberg wimmelbuch bilderbuch ab 3 jahren frey madlen amazon se böcker

bibi blocksberg wimmelbuch bilderbuch ab 3 jahren amazon es - Jan 09 2023

web bibi blocksberg wimmelbuch bilderbuch ab 3 jahren frey madlen amazon es libros edición en alemán ilustrador 4 7 de 5 estrellas ver todos los formatos y ediciones 1 de 2ª mano komm mit nach neustadt und erlebe einen aufregenden tag mit bibi blocksberg

kinderbuch bibi blocksberg | bücher de - Apr 12 2023

web kinderbuch bibi blocksberg bibi blocksberg die kleine hexe mit den zauberhaften abenteuern begeistert seit vielen

jahren kleine leserinnen und leser das beliebte kinderbuch geschrieben von der autorin elfie donnelly erzählt von bibis wunderbaren erlebnissen in neustadt

bibi blocksberg wimmelbuch bilderbuch ab 3 jahren - Mar 31 2022

web komm mit nach neustadt und erlebe einen aufregenden tag mit bibi blocksberg lerne ihre familie und freunde kennen und sei gespannt was für abenteuer auf die kleinen und großen hexen warten schon morgens geht es zuhause bei bibi drunter und drüber

bibi blocksberg wimmelbuch buch ab 3 jahren bilderbuch ab 3 jahren - Jun 14 2023

web bibi blocksberg wimmelbuch buch ab 3 jahren bilderbuch ab 3 jahren board book picture book 1 mar 2018 by madlen frey autor 4 7 out of 5 stars 379 ratings

bibi blocksberg wimmelbuch bücher orell füssli - Sep 05 2022

web jetzt online bestellen heimlieferung oder in filiale bibi blocksberg wimmelbuch bilderbuch ab 3 jahren orell füssli der buchhändler ihres vertrauens

9783947188093 bibi blocksberg wimmelbuch bilderbuch ab 3 jahren - Oct 06 2022

web abebooks com bibi blocksberg wimmelbuch bilderbuch ab 3 jahren 9783947188093 and a great selection of similar new used and collectible books available now at great prices

bibi blocksberg wimmelbuch pappbilderbuch bilderbuch ab 3 jahren - May 01 2022

web 2018 pappe 16 seiten 381mm x 238mm x 17mm sprache n ger xml encoding utf 8 p komm mit nach neustadt und erlebe einen aufregenden tag mit bibi bloc

bibi blocksberg wimmelbuch frey madlen dussmann das - Jul 03 2022

web bibi blocksberg wimmelbuch bilderbuch ab 3 jahren frey madlen illustrationen isbn 9783947188093

bibi blocksberg wimmelbuch portofrei bei bücher de bestellen - Nov 07 2022

web komm mit nach neustadt und erlebe einen aufregenden tag mit bibi blocksberg lerne ihre familie und freunde kennen und sei gespannt was für abenteuer auf die kleinen und großen hexen warten stöbern sie im onlineshop von buecher de und kaufen sie ihre artikel versandkostenfrei und ohne mindestbestellwert