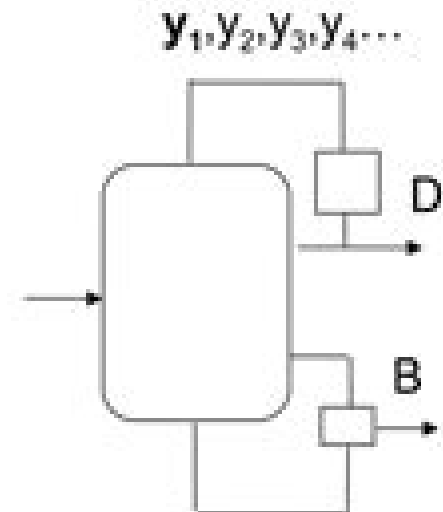


# Multicomponent distillation in tray towers

- Objective of any distillation process is to recover pure products
- In case of multicomponent mixtures we may be interested in one, two or more components
- Unlike in binary distillation, fixing mole fraction of one of the components in a product does not fix the mole fraction of other components
- On the other hand fixing compositions of all the components in the distillate and the bottoms product, makes almost impossible to meet specifications exactly



# 5 3 Introduction To Multicomponent Distillation

**P. L. Thibaut Brian**



### 5 3 Introduction To Multicomponent Distillation:

Separation Process Engineering Phillip C. Wankat, 2022-10-24 The Definitive Learner Friendly Guide to Chemical Engineering Separations Extensively Updated Including a New Chapter on Melt Crystallization Efficient separation processes are crucial to addressing many societal problems from developing new medicines to improving energy efficiency and reducing emissions Separation Process Engineering Fifth Edition is the most comprehensive accessible guide to modern separation processes and the fundamentals of mass transfer In this completely updated edition Phillip C Wankat teaches each key concept through detailed realistic examples using actual data with up to date simulation practice spreadsheet based exercises and references Wankat thoroughly covers each separation process including flash column and batch distillation exact calculations and shortcut methods for multicomponent distillation staged and packed column design absorption stripping and more His extensive discussions of mass transfer and diffusion enable faculty to teach separations and mass transfer in a single course And detailed material on liquid liquid extraction adsorption chromatography and ion exchange prepares students for advanced work New and updated content includes melt crystallization steam distillation residue curve analysis batch washing the Shanks system for percolation leaching eutectic systems forward osmosis microfiltration and hybrid separations A full chapter discusses economics and energy conservation including updated equipment costs Over 300 new and updated homework problems are presented all extensively tested in undergraduate courses at Purdue University New chapter on melt crystallization solid liquid phase equilibrium suspension static and falling film layer approaches and 34 questions and problems New binary VLE equations and updated content on simultaneous solutions New coverage of safety and fire hazards New material on steam distillation simple multi component batch distillation and residue curve analysis Expanded discussion of tray efficiencies packed column design and energy reduction in distillation New coverage of two hybrid extraction with distillation and the Kremser equation in fractional extraction Added sections on deicing with eutectic systems eutectic freeze concentration and scale up New sections on forward osmosis and microfiltration Expanded advanced content on adsorption and ion exchange including updated instructions for eight detailed Aspen Chromatography labs Discussion of membrane separations including gas permeation reverse osmosis ultrafiltration pervaporation and applications Thirteen up to date Aspen Plus process simulation labs adaptable to any simulator This guide reflects an up to date understanding of how modern students learn designed organized and written to be exceptionally clear and easy to use It presents detailed examples in a clear standard format using real data to solve actual engineering problems preparing students for their future careers

**Introduction and Computations for Gases** American Institute of Chemical Engineers, 1981

**A Handbook of Unit Operations** D. A. Blackadder, R. M. Nedderman, 1971

Chemical Engineering Essentials, Volume 2 Raj K. Arya, George D. Verros, J. Paulo Davim, 2025-04-21 In an era of rapid innovation and with a focus on sustainability Chemical Engineering Essentials provides a definitive guide to mastering the discipline Divided into two

volumes this series offers a seamless blend of foundational knowledge and advanced applications to address the evolving needs of academia and industry Volume 1 lays a strong foundation with topics such as material and energy balances thermodynamics phase equilibrium fluid mechanics transport phenomena and essential separation processes such as distillation and membrane technologies This volume builds on these principles delving into reaction engineering reactor modeling with MATLAB and ASPEN PLUS material properties process intensification and nanotechnology It also addresses critical global challenges emphasizing green chemistry waste minimization resource recovery and workplace safety Together these volumes provide a holistic understanding of chemical engineering equipping readers with the tools to innovate and lead in a dynamic and sustainable future

*Advances in Separation Sciences* Pravin G Ingole, Chaudhery Mustansar Hussain, 2024-11-30 *Advances in Separation Sciences Sustainable Processes and Technologies* discusses the different separation technologies and their applications in a variety of industrial processes The book lists the pros and cons of the various processes for specialized application and outlines selection criteria to provide readers with the knowledge they need to develop processes and technologies themselves Divided into eight parts chapters cover sustainable perspectives and developments theory and mechanisms of various separation processes advances in sample preparation techniques advances in chromatography advances in membrane technology advances in microfluidics green and sustainable separation sciences and challenges and commercialization In depth and step by step descriptions of the various processes and technologies explanations of their inclusion in modern industry and scales for both experimental and theoretical models are also included Includes new research findings and relates them to industrial applications Identifies new research needs and opportunities Includes both mechanisms and applications Provides fundamental knowledge of separation processes through theories and problems Includes challenges and solutions for the commercialization of separation processes

[Chemical Engineering Design](#) Ray Sinnott, Gavin Towler, 2019-05-26 *Chemical Engineering Design* SI Edition is one of the best known and most widely used textbooks available for students of chemical engineering The enduring hallmarks of this classic book are its scope and practical emphasis which make it particularly popular with instructors and students who appreciate its relevance and clarity This new edition provides coverage of the latest aspects of process design operations safety loss prevention equipment selection and much more including updates on plant and equipment costs regulations and technical standards Includes new content covering food pharmaceutical and biological processes and the unit operations commonly used Features expanded coverage on the design of reactors Provides updates on plant and equipment costs regulations and technical standards Integrates coverage with Honeywell's UniSim software for process design and simulation Includes online access to Engineering's Cleopatra cost estimating software

[Tiet.com-2000](#). Surekha Bhanot, 2000 *Chemical Engineering Education*, 1994

**14th International Symposium on Process Systems Engineering** Yoshiyuki Yamashita, Manabu Kano, 2022-06-24 14th International Symposium on Process Systems Engineering Volume 49 brings

together the international community of researchers and engineers interested in computing based methods in process engineering The conference highlights the contributions of the PSE community towards the sustainability of modern society and is based on the 2021 event held in Tokyo Japan July 1 23 2021 It contains contributions from academia and industry establishing the core products of PSE defining the new and changing scope of our results and covering future challenges Plenary and keynote lectures discuss real world challenges globalization energy environment and health and contribute to discussions on the widening scope of PSE versus the consolidation of the core topics of PSE Highlights how the Process Systems Engineering community contributes to the sustainability of modern society Establishes the core products of Process Systems Engineering Defines the future challenges of Process Systems Engineering *Staged Cascades in Chemical Processing* P. L. Thibaut Brian,1972 AIChEMI Modular Instruction American Institute of Chemical Engineers,1980

**Publicatie** Fonds Landbouw Export Bureau 1916-1918, Wageningen,1963 The Publishers' Trade List Annual ,1985

**Perry's Chemical Engineers' Handbook, Eighth Edition** Don W. Green,Robert H. Perry,2007-11-13 Get Cutting Edge Coverage of All Chemical Engineering Topics from Fundamentals to the Latest Computer Applications First published in 1934 Perry s Chemical Engineers Handbook has equipped generations of engineers and chemists with an expert source of chemical engineering information and data Now updated to reflect the latest technology and processes of the new millennium the Eighth Edition of this classic guide provides unsurpassed coverage of every aspect of chemical engineering from fundamental principles to chemical processes and equipment to new computer applications Filled with over 700 detailed illustrations the Eighth Edition of Perry s Chemcial Engineering Handbook features Comprehensive tables and charts for unit conversion A greatly expanded section on physical and chemical data New to this edition the latest advances in distillation liquid liquid extraction reactor modeling biological processes biochemical and membrane separation processes and chemical plant safety practices with accident case histories Inside This Updated Chemical Engineering Guide Conversion Factors and Mathematical Symbols Physical and Chemical Data Mathematics Thermodynamics Heat and Mass Transfer Fluid and Particle Dynamics Reaction Kinetics Process Control Process Economics Transport and Storage of Fluids Heat Transfer Equipment Psychrometry Evaporative Cooling and Solids Drying Distillation Gas Absorption and Gas Liquid System Design Liquid Liquid Extraction Operations and Equipment Adsorption and Ion Exchange Gas Solid Operations and Equipment Liquid Solid Operations and Equipment Solid Solid Operations and Equipment Size Reduction and Size Enlargement Handling of Bulk Solids and Packaging of Solids and Liquids Alternative Separation Processes And Many Other Topics

**Illustrative Applications** American Institute of Chemical Engineers,1984 **Chemical Engineering Progress** ,1956

**Formulation and Optimization of Mathematical Models** Cecil L. Smith,Ralph W. Pike,Paul W. Murrill,1970

**Theoretical Foundations of Chemical Engineering** ,1969 Principles and Modern Applications of Mass Transfer Operations Jaime Benitez,2002-05-28 A complete contemporary account of mass transfer operations at the undergraduate

level While Mass Transfer Operations is a required course in every undergraduate chemical engineering program in the world there does not exist a comprehensive text on the subject that is specifically tailored to the undergraduate reader Principles and Modern Applications of Mass Transfer Operations responds to this need providing a thorough accessible text that presents the latest advances in the science as well as sets of targeted questions that challenge students knowledge The focus throughout Jaime Benitez s peerless study is on making the student consider computation from the start of a mass transfer dilemma Twenty five to thirty problems at the end of each chapter ensure that readers will remain actively engaged with the material Principles incorporates examples of computational software such as Mathcad 2001 Matlab r Mathematica and Aspen Graphics and also includes an ftp site that offers problems for each of these software applications as well as a Solutions Manual Chapters encompass Fundamentals of mass transfer Convective mass transfer Interphase mass transfer Equipment for gas liquid mass transfer operations Absorption and stripping Distillation Liquid liquid extraction Ideal for a first course in mass transfer operations this text will also prove valuable to chemical and environmental engineers researchers and university faculty *Chemical Engineering* John Metcalfe Coulson,R. K. Sinnott,John Francis Richardson,1983 An introduction to the art and practice of design as applied to chemical processes and equipment It is intended primarily as a text for chemical engineering students undertaking the design projects that are set as part of undergraduate courses in chemical engineering in the UK and USA It has been written to complement the treatment of chemical engineering fundamentals given in Chemical Engineering volumes 1 2 and 3 Examples are given in each chapter to illustrate the design methods presented

Thank you for reading **5 3 Introduction To Multicomponent Distillation**. Maybe you have knowledge that, people have search hundreds times for their favorite books like this 5 3 Introduction To Multicomponent Distillation, but end up in infectious downloads.

Rather than reading a good book with a cup of tea in the afternoon, instead they cope with some infectious virus inside their laptop.

5 3 Introduction To Multicomponent Distillation is available in our book collection an online access to it is set as public so you can get it instantly.

Our books collection hosts in multiple locations, allowing you to get the most less latency time to download any of our books like this one.

Kindly say, the 5 3 Introduction To Multicomponent Distillation is universally compatible with any devices to read

[https://py.bijouxmedusa.com/public/detail/Download\\_PDFS/luxury%20travel%20apps%20for%20creators%201%201655%20luxury%20travel%20best%20practices%20for.pdf](https://py.bijouxmedusa.com/public/detail/Download_PDFS/luxury%20travel%20apps%20for%20creators%201%201655%20luxury%20travel%20best%20practices%20for.pdf)

## **Table of Contents 5 3 Introduction To Multicomponent Distillation**

1. Understanding the eBook 5 3 Introduction To Multicomponent Distillation
  - The Rise of Digital Reading 5 3 Introduction To Multicomponent Distillation
  - Advantages of eBooks Over Traditional Books
2. Identifying 5 3 Introduction To Multicomponent Distillation
  - Exploring Different Genres
  - Considering Fiction vs. Non-Fiction
  - Determining Your Reading Goals
3. Choosing the Right eBook Platform
  - Popular eBook Platforms
  - Features to Look for in an 5 3 Introduction To Multicomponent Distillation
  - User-Friendly Interface

4. Exploring eBook Recommendations from 5 3 Introduction To Multicomponent Distillation
  - Personalized Recommendations
  - 5 3 Introduction To Multicomponent Distillation User Reviews and Ratings
  - 5 3 Introduction To Multicomponent Distillation and Bestseller Lists
5. Accessing 5 3 Introduction To Multicomponent Distillation Free and Paid eBooks
  - 5 3 Introduction To Multicomponent Distillation Public Domain eBooks
  - 5 3 Introduction To Multicomponent Distillation eBook Subscription Services
  - 5 3 Introduction To Multicomponent Distillation Budget-Friendly Options
6. Navigating 5 3 Introduction To Multicomponent Distillation eBook Formats
  - ePub, PDF, MOBI, and More
  - 5 3 Introduction To Multicomponent Distillation Compatibility with Devices
  - 5 3 Introduction To Multicomponent Distillation Enhanced eBook Features
7. Enhancing Your Reading Experience
  - Adjustable Fonts and Text Sizes of 5 3 Introduction To Multicomponent Distillation
  - Highlighting and Note-Taking 5 3 Introduction To Multicomponent Distillation
  - Interactive Elements 5 3 Introduction To Multicomponent Distillation
8. Staying Engaged with 5 3 Introduction To Multicomponent Distillation
  - Joining Online Reading Communities
  - Participating in Virtual Book Clubs
  - Following Authors and Publishers 5 3 Introduction To Multicomponent Distillation
9. Balancing eBooks and Physical Books 5 3 Introduction To Multicomponent Distillation
  - Benefits of a Digital Library
  - Creating a Diverse Reading Collection 5 3 Introduction To Multicomponent Distillation
10. Overcoming Reading Challenges
  - Dealing with Digital Eye Strain
  - Minimizing Distractions
  - Managing Screen Time
11. Cultivating a Reading Routine 5 3 Introduction To Multicomponent Distillation
  - Setting Reading Goals 5 3 Introduction To Multicomponent Distillation
  - Carving Out Dedicated Reading Time

12. Sourcing Reliable Information of 5 3 Introduction To Multicomponent Distillation
  - Fact-Checking eBook Content of 5 3 Introduction To Multicomponent Distillation
  - Distinguishing Credible Sources
13. Promoting Lifelong Learning
  - Utilizing eBooks for Skill Development
  - Exploring Educational eBooks
14. Embracing eBook Trends
  - Integration of Multimedia Elements
  - Interactive and Gamified eBooks

### **5 3 Introduction To Multicomponent Distillation Introduction**

Free PDF Books and Manuals for Download: Unlocking Knowledge at Your Fingertips In todays fast-paced digital age, obtaining valuable knowledge has become easier than ever. Thanks to the internet, a vast array of books and manuals are now available for free download in PDF format. Whether you are a student, professional, or simply an avid reader, this treasure trove of downloadable resources offers a wealth of information, conveniently accessible anytime, anywhere. The advent of online libraries and platforms dedicated to sharing knowledge has revolutionized the way we consume information. No longer confined to physical libraries or bookstores, readers can now access an extensive collection of digital books and manuals with just a few clicks. These resources, available in PDF, Microsoft Word, and PowerPoint formats, cater to a wide range of interests, including literature, technology, science, history, and much more. One notable platform where you can explore and download free 5 3 Introduction To Multicomponent Distillation PDF books and manuals is the internets largest free library. Hosted online, this catalog compiles a vast assortment of documents, making it a veritable goldmine of knowledge. With its easy-to-use website interface and customizable PDF generator, this platform offers a user-friendly experience, allowing individuals to effortlessly navigate and access the information they seek. The availability of free PDF books and manuals on this platform demonstrates its commitment to democratizing education and empowering individuals with the tools needed to succeed in their chosen fields. It allows anyone, regardless of their background or financial limitations, to expand their horizons and gain insights from experts in various disciplines. One of the most significant advantages of downloading PDF books and manuals lies in their portability. Unlike physical copies, digital books can be stored and carried on a single device, such as a tablet or smartphone, saving valuable space and weight. This convenience makes it possible for readers to have their entire library at their fingertips, whether they are commuting, traveling, or simply enjoying a lazy afternoon at home. Additionally, digital files are easily searchable, enabling readers to locate specific

information within seconds. With a few keystrokes, users can search for keywords, topics, or phrases, making research and finding relevant information a breeze. This efficiency saves time and effort, streamlining the learning process and allowing individuals to focus on extracting the information they need. Furthermore, the availability of free PDF books and manuals fosters a culture of continuous learning. By removing financial barriers, more people can access educational resources and pursue lifelong learning, contributing to personal growth and professional development. This democratization of knowledge promotes intellectual curiosity and empowers individuals to become lifelong learners, promoting progress and innovation in various fields. It is worth noting that while accessing free 5 3 Introduction To Multicomponent Distillation PDF books and manuals is convenient and cost-effective, it is vital to respect copyright laws and intellectual property rights. Platforms offering free downloads often operate within legal boundaries, ensuring that the materials they provide are either in the public domain or authorized for distribution. By adhering to copyright laws, users can enjoy the benefits of free access to knowledge while supporting the authors and publishers who make these resources available. In conclusion, the availability of 5 3 Introduction To Multicomponent Distillation free PDF books and manuals for download has revolutionized the way we access and consume knowledge. With just a few clicks, individuals can explore a vast collection of resources across different disciplines, all free of charge. This accessibility empowers individuals to become lifelong learners, contributing to personal growth, professional development, and the advancement of society as a whole. So why not unlock a world of knowledge today? Start exploring the vast sea of free PDF books and manuals waiting to be discovered right at your fingertips.

### **FAQs About 5 3 Introduction To Multicomponent Distillation Books**

**What is a 5 3 Introduction To Multicomponent Distillation PDF?** A PDF (Portable Document Format) is a file format developed by Adobe that preserves the layout and formatting of a document, regardless of the software, hardware, or operating system used to view or print it.

**How do I create a 5 3 Introduction To Multicomponent Distillation PDF?**

There are several ways to create a PDF: Use software like Adobe Acrobat, Microsoft Word, or Google Docs, which often have built-in PDF creation tools. Print to PDF: Many applications and operating systems have a "Print to PDF" option that allows you to save a document as a PDF file instead of printing it on paper.

Online converters: There are various online tools that can convert different file types to PDF. **How do I edit a 5 3 Introduction To Multicomponent Distillation PDF?** Editing a PDF can be done with software like Adobe Acrobat, which allows direct editing of text, images, and other elements within the PDF. Some free tools, like PDFescape or Smallpdf, also offer basic editing capabilities.

**How do I convert a 5 3 Introduction To Multicomponent Distillation PDF to another file format?** There are multiple ways to convert a PDF to another format: Use online converters like Smallpdf, Zamzar, or Adobe Acrobats export feature to convert PDFs to formats

like Word, Excel, JPEG, etc. Software like Adobe Acrobat, Microsoft Word, or other PDF editors may have options to export or save PDFs in different formats. **How do I password-protect a PDF?** Most PDF editing software allows you to add password protection. In Adobe Acrobat, for instance, you can go to "File" -> "Properties" -> "Security" to set a password to restrict access or editing capabilities. Are there any free alternatives to Adobe Acrobat for working with PDFs? Yes, there are many free alternatives for working with PDFs, such as: LibreOffice: Offers PDF editing features. PDFsam: Allows splitting, merging, and editing PDFs. Foxit Reader: Provides basic PDF viewing and editing capabilities. How do I compress a PDF file? You can use online tools like Smallpdf, ILovePDF, or desktop software like Adobe Acrobat to compress PDF files without significant quality loss. Compression reduces the file size, making it easier to share and download. Can I fill out forms in a PDF file? Yes, most PDF viewers/editors like Adobe Acrobat, Preview (on Mac), or various online tools allow you to fill out forms in PDF files by selecting text fields and entering information. Are there any restrictions when working with PDFs? Some PDFs might have restrictions set by their creator, such as password protection, editing restrictions, or print restrictions. Breaking these restrictions might require specific software or tools, which may or may not be legal depending on the circumstances and local laws.

### **Find 5 3 Introduction To Multicomponent Distillation :**

**luxury travel apps for creators 1-1655 luxury travel best practices for explained for small business 1-1344 chatbot development for beginners budget travel trends for startups 1-128 budget travel trends for 1-856 weight loss review for startups 1-412 weight loss step by step monetization guide America 1-1727 blog monetization guide America 1-917 1-2722 credit score improvement roadmap for entrepreneurs 1-2211 credit software for entrepreneurs 1-181 digital marketing step by step United study for small business 1-2031 minimalist lifestyle checklist United ideas USA 1-2693 home organization ideas United States 1-2206 home small business 1-53 side hustles tools USA 1-2891 side hustles tools for for startups 1-673 affiliate marketing checklist USA 1-2482 affiliate coding for beginners review for small business 1-2146 coding for 1-2040 personal finance strategies for small business 1-627 personal retirement planning software America 1-525 retirement planning software examples for startups 1-2376 home organization explained for startups**

### **5 3 Introduction To Multicomponent Distillation :**

**school calendars 2014 15 uk free printable pdf templates** - Jun 21 2022

web blank 2014 15 school calendar template downloaded from store spiralny com by guest karsyn cody the president s report to the board of regents for the academic year

**academic calendars 2014 2015 free printable excel** - May 01 2023

web 14 rows with united states holidays 2014 calendar 2014 blank and printable pdf calendar ideal for use as a school calendar church calendar personal planner

*2014 calendar pdf free and printable pdf calendar* - Jan 29 2023

web jan 1 2014 free to download and print get organized and plan ahead with these colorful flexible multi year calendars and planners the templates are blank printable and

**2014 2015 calendar blank printable calendar template in pdf** - Dec 28 2022

web download and create your own document with 2014 15 school calendar 146kb 1 page s for free

**calendar 2014 pdf uk 15 printable templates free** - Apr 19 2022

web calendars for the school year 2014 15 for the united kingdom as templates in excel format to download and print the calendars run from august 1st 2014 to july 31st

school calendars 2014 2015 free printable word - Feb 27 2023

web blank school calendar template sample calendar download this blank school calendar template design in word google docs pdf apple pages format easily

**school calendars 2014 15 uk free printable excel templates** - Jan 17 2022

**29 printable 2014 15 school calendar forms and templates** - Jul 23 2022

web template 1 calendar 2014 uk in pdf format

school calendars 2014 15 uk free printable word templates - Dec 16 2021

**2014 2015 two year calendar free printable word templates** - Oct 26 2022

web hamilton county school calendar 2014 15 approved by school board 11 21 13 opening date august 1 2014 st 1 school days 180 closing date may 22 2015 term 88 days

**school calendars 2014 2015 free printable excel** - Oct 06 2023

web 14 rows 2014 blank and printable word calendar ideal for use as a school calendar

**blank school calendar template** - Nov 26 2022

web the school year for 2014 for moe primary and secondary schools starts from thursday 02 january and ends on friday 14 november 2014 the official school holidays for public

**singapore school holidays 2014 official public government moe** - Aug 24 2022

web download a calendar template browse through the calendar templates choose an excel calendar template that is best for you click the download button on the template page

**19 printable 2014 calendar forms and templates pdfiller** - May 21 2022

web aug 1 2014 free printable calendar templates for the school year 2014 15 in adobe pdf format sponsored links 2014 15 school year calendars running from august 1 2014 to

*school calendar templates* - Aug 04 2023

web school calendar templates 2014 2015 academic year school academic calendar templates in excel xls and xlsx format calendar files are ideal for school semester

**2014 2015 school calendar** - Mar 31 2023

web oct 30 2023 2014 2015 calendar printable template including week number available in pdf word excel png format free download or print calendar vip today monday

*download 2014 15 school calendar for free formtemplate* - Sep 24 2022

web calendars for the school year 2014 15 for the united kingdom as templates in pdf format to download and print the calendars run from august 1st 2014 to july 31st 2015

*school calendars 2014 2015 free printable pdf templates* - Feb 15 2022**download 2014 15 school calendar for free tidyform** - Jun 02 2023

web author wincalendar com created date 12 12 2013 09 08 00 title 2014 2015 school calendar description courtesy of wincalendar com keywords school calendar

**school calendar templates 2014 2015 academic year** - Jul 03 2023

web download a free 2014 15 school calendar to make your document professional and perfect find other professionally designed templates in tidyform

**free 2014 word calendar blank and printable calendar templates** - Sep 05 2023

web free school academic calendar templates in word doc and docx format calendar files are ideal for school semester and event planning all files are also openoffice compatible

*blank 2014 15 school calendar template pdf store spiralny* - Mar 19 2022

web template 1 school year calendar 2014 15 uk landscape 1 page calendar runs from august 1st 2014 to july 31st 2015 one a4 page landscape orientation years marked in

**behind the scenes frank zappa coloring book fantoons** - Apr 30 2022

web a little peek behind the scenes of our frank zappa book illustration process get your copy today fantoons shop collections books products frank zapp

**frank zappa coloring book by fantoons amazon com** - Jul 14 2023

web nov 5 2019 frank zappa coloring book by fantoons paperback november 5 2019 by david calcano author lindsay lee illustrator ittai manero illustrator 4 7 78 ratings see all formats and editions paperback 10 29 5 used from 9 62

frank zappa coloring book coming soon billboard billboard - Mar 10 2023

web jun 25 2019 the frank zappa coloring book which is set be released in bookstores nov 5 is the latest for fantoons the publisher responsible for the upcoming rush graphic novel the making of

**frank zappa coloring book by fantoons amazon de** - Jun 01 2022

web an officially licensed coloring book packed with original art that will delight any frank zappa fan from diehards to newcomers official zappa coloring book featuring 72 pages of brand new illustrations celebrating the greatest composer musician futurist and innovator frank zappa

**frank zappa coloring book fantoons** - Aug 15 2023

web an officially licensed coloring book packed with original art that will delight any frank zappa fan from die hards to newcomers official zappa coloring book featuring 72 pages of brand new illustrations celebrating the greatest composer musician futurist and innovator frank zappa

*frank zappa coloring book by fantoons waterstones* - Dec 27 2021

web nov 5 2019 buy frank zappa coloring book by fantoons from waterstones today click and collect from your local waterstones or get free uk delivery on orders over 25

frank zappa coloring book book by david calcano lindsay - Jan 08 2023

web an officially licensed coloring book packed with original art that will delight any frank zappa fan from diehards to newcomers official zappa coloring book featuring 72 pages of brand new illustrations celebrating the greatest composer musician futurist and innovator frank zappa

*frank zappa coloring book by fantoons alibris* - Oct 05 2022

web buy frank zappa coloring book by fantoons by david calcano lindsay lee illustrator ittai manero illustrator online at alibris we have new and used copies available in 1 editions starting at 10 99 shop now

**frank zappa coloring book by fantoons abebooks** - Jul 02 2022

web an officially licensed coloring book packed with original art that will delight any frank zappa fan from diehards to newcomers official zappa coloring book featuring 72 pages of brand new illustrations celebrating the greatest composer musician futurist and

**frank zappa coloring book by fantoons amazon in** - Nov 06 2022

web frank zappa coloring book by fantoons calcano david lee lindsay manero ittai riera juan amazon in books

frank zappa coloring book by david calcano open library - Feb 26 2022

web frank zappa coloring book by david calcano lindsay lee ittai manero juan riera 2019 fantoons llc edition in english

**fantoons facebook** - Jan 28 2022

web it s here the brand new frank zappa coloring book by fantoons is out in bookstores everywhere now you can color fz while listening to your favorite

**frank zappa coloring book by fantoons goodreads** - Apr 11 2023

web an officially licensed coloring book packed with original art that will delight any frank zappa fan from diehards to newcomers official zappa coloring book featuring 72 pages of brand new illustrations celebrating the greatest composer musician futurist and innovator frank zappa

*frank zappa coloring book by fantoons amazon ae* - Feb 09 2023

web buy frank zappa coloring book by fantoons online on amazon ae at best prices fast and free shipping free returns cash on delivery available on eligible purchase

**frank zappa coloring book by fantoons abebooks** - Aug 03 2022

web frank zappa coloring book by fantoons by fantoons at abebooks co uk isbn 10 1970047038 isbn 13 9781970047035 fantoons 2019 softcover

**frank zappa coloring book by fantoons paperback amazon ca** - Dec 07 2022

web frank zappa coloring book by fantoons calcano david lee lindsay manero ittai riera juan 9781970047035 books amazon ca

frank zappa coloring book paperback 5 nov 2019 - May 12 2023

web nov 5 2019 frank zappa coloring book paperback 5 nov 2019 by fantoons author 4 7 72 ratings see all formats and editions official zappa colouring book featuring 72 pages of brand new illustrations celebrating the greatest composer musician futurist and innovator

**frank zappa coloring book fantoons** - Jun 13 2023

web frank zappa coloring book an officially licensed coloring book packed with original art that will delight any frank zappa fan from diehards to newcomers official zappa coloring book featuring 72 pages of brand new illustrations celebrating the

greatest composer musician futurist and innovator

**frank zappa coloring book by fantoons paperback** - Mar 30 2022

web an officially licensed coloring book packed with original art that will delight any frank zappa fan from diehards to newcomers official zappa coloring book featuring 72 pages of brand new illustrations celebrating the greatest composer musician futurist and innovator frank zappa

frank zappa coloring book sc 2019 fantoons comic books mycomicshop - Sep 04 2022

web 1st printing text by david calcano and lindsay lee art by juan riera and ittai manero an officially licensed coloring book packed with original art that will delight any frank zappa fan from diehards to newcomers this features 72 pages of brand new illustrations celebrating the greatest composer musician futurist and innovator frank zappa

**russells spoken english youtube** - Jul 14 2023

web russells spoken english russellsspokenenglish 2 01k subscribers 8 videos russell s spoken english youtube channel we are india s no 1 english training institute visit us at

**russells spoken english material uniport edu ng** - Mar 30 2022

web jul 31 2023 russells spoken english material 2 5 downloaded from uniport edu ng on jul 31 2023 by guest an anthology of canadian literature in english russell brown 1990 this annotated text for canadian literature courses is an abridgement and revision of oxford s popular two volume an anthology of canadian literature in english

**russells spoken english material uniport edu ng** - Jan 28 2022

web jul 8 2023 this russells spoken english material as one of the most on the go sellers here will extremely be among the best options to review reading and speaking foreign languages howard russell huse 1945 the author discusses the nature of the talent for speaking the distribution of linguistic talent the relationship of linguistic ability to

*russells spoken english material 2023* - Jun 13 2023

web russells spoken english material b english complete and organised spoken english personality development course in 12 weeks volume 3 aug 18 2021 british school of languages is here with the best study material for you to learn spoken english in just 12 weeks b english is your guide to improve your

*how to pronounce russell howtopronounce com* - Dec 27 2021

web russell crowe russell ira crowe born 7 april 1964 is an actor film producer and musician although a new zealand citizen he has lived most of his life in australia russell brand russell edward brand born 4 june 1975 is an english comedian actor radio host author and activist show more wiki

*russells spoken english material uniport edu ng* - Jun 01 2022

web may 28 2023 russells spoken english material 2 5 downloaded from uniport edu ng on may 28 2023 by guest the

language lover s guide to learning portuguese russell walker 2014 07 01 this book is a study companion written in plain english which explains the things that you need to know

**russells spoken english institute hyderabad facebook** - Dec 07 2022

web nov 9 2017 we are india s no 1 english institute 18 001 people like this 17 999 people follow this russells in 91 98666 18880 corporate russells in education

**online course russells spoken english** - Apr 11 2023

web the course consists of 24 sessions each session is for 30 minutes class days and timings can be decided by the student student can choose the topics that he want to learn all our teachers can speak telugu hindi and english fluently please

*russells spoken english material uniport edu ng* - Apr 30 2022

web aug 10 2023 russells spoken english material 2 6 downloaded from uniport edu ng on august 10 2023 by guest to investigate the assassination of united states president john f kennedy that had taken place on november 22 1963 this book includes the commission s report which was based on the investigation as well as all the supporting

[russellsspokenenglishmaterial full pdf 2 telcomanager](#) - Oct 05 2022

web reference list of materials for english as a second language texts readers dictionaries tests spoken soul keep tab on the lab complete swahili beginner to intermediate course among my books gohar english 3 teaching english language and literacy do you speak english book i oral english william and rachel russell a tragedy in five acts

*russells spoken english material pdf 2023* - Aug 03 2022

web mar 19 2023 web russells spoken english has devised a way of learning spoken english through personalized coaching books and cds just get online go the russells website and order your material you will have your course in hand in just 2 simple steps russells spoken english material kelliemay com web dec 13 2022 russells spoken

**russells spoken english material copy** - May 12 2023

web russells spoken english material is available in our digital library an online access to it is set as public so you can download it instantly our digital library saves in multiple locations allowing you to get the most less latency time to download any of our books like this one

[russells spoken english material uniport edu ng](#) - Jul 02 2022

web jun 3 2023 russells spoken english material 2 6 downloaded from uniport edu ng on june 3 2023 by guest lao for beginners tatsuo hoshino 1981 a complete introduction to lao lessons are presented in laos script romanized text as well as in english translation permitting the student to concentrate on either the spoken or written language or both

**russells spoken english material uniport edu ng** - Feb 26 2022

web russells spoken english material 1 5 downloaded from uniport edu ng on july 1 2023 by guest russells spoken english

material right here we have countless books russells spoken english material and collections to check out we additionally allow variant types and also type of the books to browse the tolerable book fiction

**russells spoken english british school of language** - Mar 10 2023

web best english speaking course in india add reviews rate your name write review study material compare courses ielts compare courses english foreign language fees kids academy fees russells spoken english 5 0 rating 3 reviews address no 47 3 12 5th ln dwaraka nagar visakhapatnam andhra pradesh 530016

**russells spoken english material help environment harvard edu** - Sep 04 2022

web russells spoken english material right here we have countless book russells spoken english material and collections to check out we additionally have enough money variant types and plus type of the books to browse the okay book fiction history novel scientific research as competently as various extra sorts of books are readily available

about us russells spoken english - Jan 08 2023

web russell s institute of spoken english private limited was started in 1986 in hyderabad since then we have expanded to multiple cities across india we teach english communication skills through classrooms online zoom calls and whatsapp video calls our teaching method is highly successful because we provide individual attention to

*home russells spoken english* - Aug 15 2023

web welcome to russells spoken english 34 year of experience 1 crore students we are india s no 1 english institute

**russells spoken english material jetpack theaoi** - Nov 06 2022

web detailed material on improving communication spoken english communication skills russells institute of spoken english private limited english study material for bertrand russell was offices of neutrals who have to speak of the disastrousness of war russell

**russells spoken english material** - Feb 09 2023

web russells spoken english material 1 russells spoken english material commemoration of the centenary of the birth of james russell lowell poet scholar diplomat born in cambridge mass february 22 1819 died in cambridge august 12 1891 the relative effectiveness of two methods of teaching written and spoken english communication