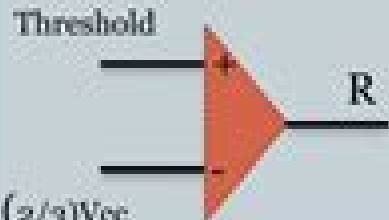
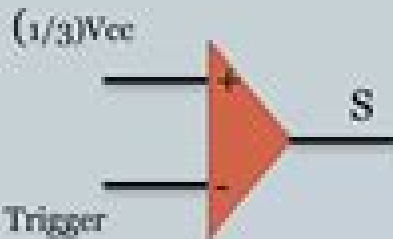


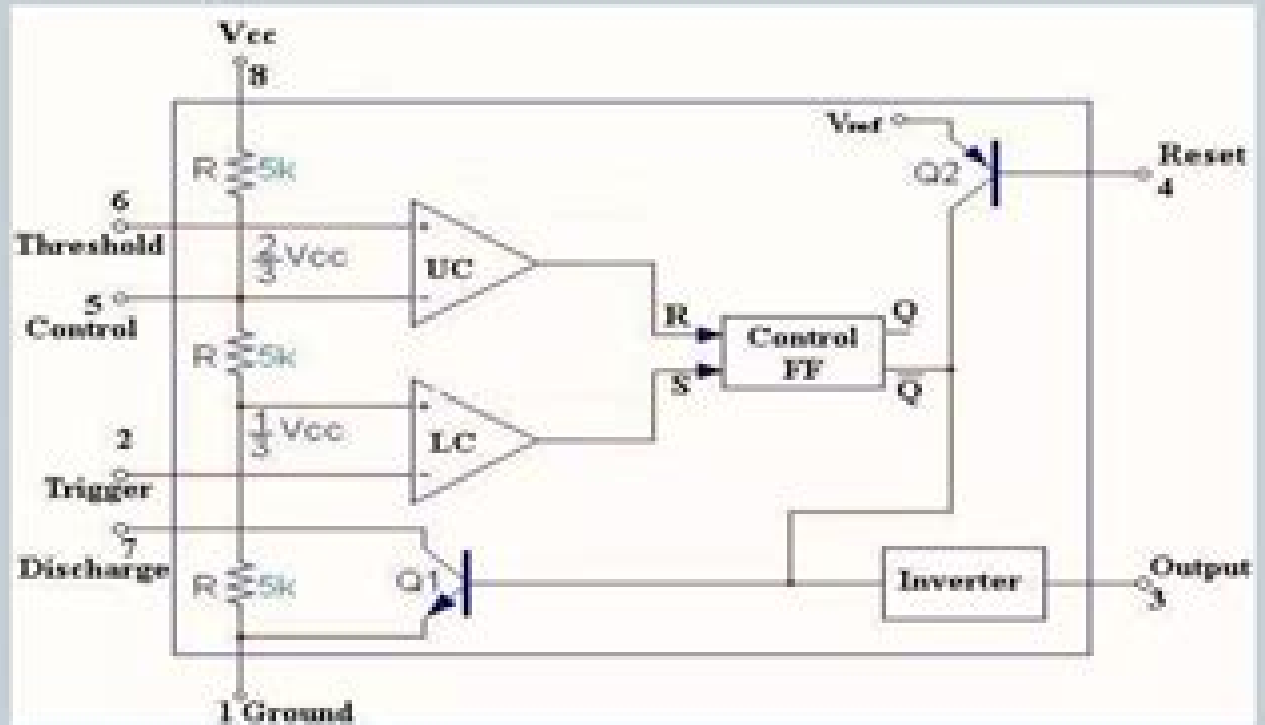
Functional diagram of 555 timer



Threshold $>$ $(2/3)V_{cc} \Rightarrow R = \text{logic '1'}$
Threshold $<$ $(2/3)V_{cc} \Rightarrow R = \text{logic '0'}$



Trigger $<$ $(1/3)V_{cc} \Rightarrow S = \text{logic '1'}$
Trigger $>$ $(1/3)V_{cc} \Rightarrow S = \text{logic '0'}$



555 Timer And Its Applications

Howard M. Berlin



555 Timer And Its Applications:

Delve into the emotional tapestry woven by Emotional Journey with in Dive into the Emotion of **555 Timer And Its Applications** . This ebook, available for download in a PDF format (*), is more than just words on a page; itis a journey of connection and profound emotion. Immerse yourself in narratives that tug at your heartstrings. Download now to experience the pulse of each page and let your emotions run wild.

https://py.bijouxmedusa.com/data/Resources/default.aspx/states_85_2018_coding_for_beginners_tools_united_states_85_465_coding.pdf

Table of Contents 555 Timer And Its Applications

1. Understanding the eBook 555 Timer And Its Applications
 - The Rise of Digital Reading 555 Timer And Its Applications
 - Advantages of eBooks Over Traditional Books
2. Identifying 555 Timer And Its Applications
 - Exploring Different Genres
 - Considering Fiction vs. Non-Fiction
 - Determining Your Reading Goals
3. Choosing the Right eBook Platform
 - Popular eBook Platforms
 - Features to Look for in an 555 Timer And Its Applications
 - User-Friendly Interface
4. Exploring eBook Recommendations from 555 Timer And Its Applications
 - Personalized Recommendations
 - 555 Timer And Its Applications User Reviews and Ratings
 - 555 Timer And Its Applications and Bestseller Lists
5. Accessing 555 Timer And Its Applications Free and Paid eBooks
 - 555 Timer And Its Applications Public Domain eBooks
 - 555 Timer And Its Applications eBook Subscription Services

- 555 Timer And Its Applications Budget-Friendly Options
- 6. Navigating 555 Timer And Its Applications eBook Formats
 - ePub, PDF, MOBI, and More
 - 555 Timer And Its Applications Compatibility with Devices
 - 555 Timer And Its Applications Enhanced eBook Features
- 7. Enhancing Your Reading Experience
 - Adjustable Fonts and Text Sizes of 555 Timer And Its Applications
 - Highlighting and Note-Taking 555 Timer And Its Applications
 - Interactive Elements 555 Timer And Its Applications
- 8. Staying Engaged with 555 Timer And Its Applications
 - Joining Online Reading Communities
 - Participating in Virtual Book Clubs
 - Following Authors and Publishers 555 Timer And Its Applications
- 9. Balancing eBooks and Physical Books 555 Timer And Its Applications
 - Benefits of a Digital Library
 - Creating a Diverse Reading Collection 555 Timer And Its Applications
- 10. Overcoming Reading Challenges
 - Dealing with Digital Eye Strain
 - Minimizing Distractions
 - Managing Screen Time
- 11. Cultivating a Reading Routine 555 Timer And Its Applications
 - Setting Reading Goals 555 Timer And Its Applications
 - Carving Out Dedicated Reading Time
- 12. Sourcing Reliable Information of 555 Timer And Its Applications
 - Fact-Checking eBook Content of 555 Timer And Its Applications
 - Distinguishing Credible Sources
- 13. Promoting Lifelong Learning
 - Utilizing eBooks for Skill Development
 - Exploring Educational eBooks
- 14. Embracing eBook Trends

- Integration of Multimedia Elements
- Interactive and Gamified eBooks

555 Timer And Its Applications Introduction

Free PDF Books and Manuals for Download: Unlocking Knowledge at Your Fingertips In today's fast-paced digital age, obtaining valuable knowledge has become easier than ever. Thanks to the internet, a vast array of books and manuals are now available for free download in PDF format. Whether you are a student, professional, or simply an avid reader, this treasure trove of downloadable resources offers a wealth of information, conveniently accessible anytime, anywhere. The advent of online libraries and platforms dedicated to sharing knowledge has revolutionized the way we consume information. No longer confined to physical libraries or bookstores, readers can now access an extensive collection of digital books and manuals with just a few clicks. These resources, available in PDF, Microsoft Word, and PowerPoint formats, cater to a wide range of interests, including literature, technology, science, history, and much more. One notable platform where you can explore and download free 555 Timer And Its Applications PDF books and manuals is the internet's largest free library. Hosted online, this catalog compiles a vast assortment of documents, making it a veritable goldmine of knowledge. With its easy-to-use website interface and customizable PDF generator, this platform offers a user-friendly experience, allowing individuals to effortlessly navigate and access the information they seek. The availability of free PDF books and manuals on this platform demonstrates its commitment to democratizing education and empowering individuals with the tools needed to succeed in their chosen fields. It allows anyone, regardless of their background or financial limitations, to expand their horizons and gain insights from experts in various disciplines. One of the most significant advantages of downloading PDF books and manuals lies in their portability. Unlike physical copies, digital books can be stored and carried on a single device, such as a tablet or smartphone, saving valuable space and weight. This convenience makes it possible for readers to have their entire library at their fingertips, whether they are commuting, traveling, or simply enjoying a lazy afternoon at home. Additionally, digital files are easily searchable, enabling readers to locate specific information within seconds. With a few keystrokes, users can search for keywords, topics, or phrases, making research and finding relevant information a breeze. This efficiency saves time and effort, streamlining the learning process and allowing individuals to focus on extracting the information they need. Furthermore, the availability of free PDF books and manuals fosters a culture of continuous learning. By removing financial barriers, more people can access educational resources and pursue lifelong learning, contributing to personal growth and professional development. This democratization of knowledge promotes intellectual curiosity and empowers individuals to become lifelong learners, promoting progress and innovation in various fields. It is worth noting that while accessing free 555 Timer And Its Applications PDF books and manuals is convenient and cost-effective, it is vital to

respect copyright laws and intellectual property rights. Platforms offering free downloads often operate within legal boundaries, ensuring that the materials they provide are either in the public domain or authorized for distribution. By adhering to copyright laws, users can enjoy the benefits of free access to knowledge while supporting the authors and publishers who make these resources available. In conclusion, the availability of 555 Timer And Its Applications free PDF books and manuals for download has revolutionized the way we access and consume knowledge. With just a few clicks, individuals can explore a vast collection of resources across different disciplines, all free of charge. This accessibility empowers individuals to become lifelong learners, contributing to personal growth, professional development, and the advancement of society as a whole. So why not unlock a world of knowledge today? Start exploring the vast sea of free PDF books and manuals waiting to be discovered right at your fingertips.

FAQs About 555 Timer And Its Applications Books

How do I know which eBook platform is the best for me? Finding the best eBook platform depends on your reading preferences and device compatibility. Research different platforms, read user reviews, and explore their features before making a choice. Are free eBooks of good quality? Yes, many reputable platforms offer high-quality free eBooks, including classics and public domain works. However, make sure to verify the source to ensure the eBook credibility. Can I read eBooks without an eReader? Absolutely! Most eBook platforms offer webbased readers or mobile apps that allow you to read eBooks on your computer, tablet, or smartphone. How do I avoid digital eye strain while reading eBooks? To prevent digital eye strain, take regular breaks, adjust the font size and background color, and ensure proper lighting while reading eBooks. What the advantage of interactive eBooks? Interactive eBooks incorporate multimedia elements, quizzes, and activities, enhancing the reader engagement and providing a more immersive learning experience. 555 Timer And Its Applications is one of the best book in our library for free trial. We provide copy of 555 Timer And Its Applications in digital format, so the resources that you find are reliable. There are also many Ebooks of related with 555 Timer And Its Applications. Where to download 555 Timer And Its Applications online for free? Are you looking for 555 Timer And Its Applications PDF? This is definitely going to save you time and cash in something you should think about. If you trying to find then search around for online. Without a doubt there are numerous these available and many of them have the freedom. However without doubt you receive whatever you purchase. An alternate way to get ideas is always to check another 555 Timer And Its Applications. This method for see exactly what may be included and adopt these ideas to your book. This site will almost certainly help you save time and effort, money and stress. If you are looking for free books then you really should consider finding to assist you try this. Several of 555 Timer And Its Applications are for sale to free while some are payable. If you arent sure if the books you

would like to download works with for usage along with your computer, it is possible to download free trials. The free guides make it easy for someone to free access online library for download books to your device. You can get free download on free trial for lots of books categories. Our library is the biggest of these that have literally hundreds of thousands of different products categories represented. You will also see that there are specific sites catered to different product types or categories, brands or niches related with 555 Timer And Its Applications. So depending on what exactly you are searching, you will be able to choose e books to suit your own need. Need to access completely for Campbell Biology Seventh Edition book? Access Ebook without any digging. And by having access to our ebook online or by storing it on your computer, you have convenient answers with 555 Timer And Its Applications To get started finding 555 Timer And Its Applications, you are right to find our website which has a comprehensive collection of books online. Our library is the biggest of these that have literally hundreds of thousands of different products represented. You will also see that there are specific sites catered to different categories or niches related with 555 Timer And Its Applications So depending on what exactly you are searching, you will be able to choose ebook to suit your own need. Thank you for reading 555 Timer And Its Applications. Maybe you have knowledge that, people have search numerous times for their favorite readings like this 555 Timer And Its Applications, but end up in harmful downloads. Rather than reading a good book with a cup of coffee in the afternoon, instead they juggled with some harmful bugs inside their laptop. 555 Timer And Its Applications is available in our book collection an online access to it is set as public so you can download it instantly. Our digital library spans in multiple locations, allowing you to get the most less latency time to download any of our books like this one. Merely said, 555 Timer And Its Applications is universally compatible with any devices to read.

Find 555 Timer And Its Applications :

**States 85-2018 coding for beginners tools United States 85-465 coding
wellness roadmap for small business 85-2282 mental wellness roadmap for
entrepreneurs 85-2730 TikTok marketing checklist America 85-1225 TikTok
development comparison United States 85-551 chatbot development
software for entrepreneurs 85-350 cloud computing software for small
business 85-1908 VPN services roadmap America 85-1094 VPN services
85-188 electric vehicles checklist America 85-371 electric vehicles
minimalist lifestyle apps America 85-397 minimalist lifestyle apps for
creators 85-2788 VPN services trends for small business 85-2798 VPN
United States 85-162 data science careers review for entrepreneurs**

85-521 dropshipping business tips America 85-699 dropshipping business

[remote work apps for creators 85-1042](#) [remote work best practices America business 85-1275](#) [coding for beginners checklist for creators 85-1385](#) [improvement step by step for creators 85-708](#) [self improvement strategies entrepreneurs 85-2305](#) [electric vehicles tips for startups 85-2516](#)

555 Timer And Its Applications :

solutions manual for international marketing 16th edition by cateora - May 04 2022

nov 12 2017 [solutions manual for international marketing 16th edition by cateora full clear download no error formatting at downloadlink org p solutions manual for international](#)

ebook international marketing mheducation co uk - Sep 08 2022

aug 16 2013 the 16th edition reflects all the important events and innovations to affect global business within recent years while including several new and updated learning tools and teaching resources international marketing by cateora gilly and graham has been a pioneer in the field of international marketing

international marketing cateora philip gilly mary graham - Jan 12 2023

sep 24 2010 cateora and graham s international marketing is far and away the best selling text in the field with a pioneering approach to making the material accessible and relevant that has become the standard by which other books are judged

[international marketing by philip r cateora open library](#) - Feb 13 2023

dec 7 2022 february 17 2022 created by importbot imported from internet archive item record international marketing by philip r cateora john m hess 2016 mcgraw hill education edition in english seventeenth edition mcgraw hill education international edition

[international marketing marketing business](#) - Aug 07 2022

feb 25 2019 international marketing international marketing 6 items sort by higher education international marketing ise 18th edition by philip r cateora john graham mary c gilly bruce money 2020 published may 1 2019

international marketing mcgraw hill - May 16 2023

instructor details pioneers in the field cateora gilly and graham continue to set the standard in this 18th edition of international marketing with their well rounded perspective of international markets that encompass history geography language and religion as well as economics which helps students see the cultural and environmental

international marketing 16th edition 9780077159566 vitalsource - Apr 15 2023

international marketing 16th edition is written by philip cateora john graham mary gilly and published by mcgraw hill

international uk ltd the digital and etextbook isbn's for international marketing are 9780077159566 007715956x save up to 80 versus print by going digital with vitalsource

[international marketing 16th sixteenth edition blogger](#) - Nov 10 2022

dec 31 2014 international marketing by cateora gilly and graham has been a pioneer in the field of international marketing the authors continue to set the standard in this edition with new and expanded topics that reflect the swift changes of the competitive global market as well as increased coverage of technology's impact on the international market arena

[international marketing 16th edition philip r cateora and john](#) - Sep 20 2023

jan 1 2017 international marketing 16th edition paperback january 1 2017 by philip r cateora and john graham author 4 2 4 2 out of 5 stars 105 ratings

[international marketing cateora 16th tb chapter 01 the](#) - Jul 06 2022

test bank chapter 01 the scope and challenge of international marketing true false questions for companies today becoming international is luxury only some can skip to document university high school international marketing cateora 16th tb test bank university ambrose alli university course economics 27 documents students shared

[international marketing by cateora 16th edition pdf](#) - Apr 03 2022

international marketing by cateora 16th edition 3 3 edition 9780073529974 international marketing philip r cateora john grahaam mary c gilly pioneers in the field cateora gilly and graham continue to set the standard in this 17th edition of international marketing with

international marketing mary c gilly john graham philip r cateora - Jun 05 2022

feb 19 2019 pioneers in the field cateora gilly and graham continue to set the standard in this 18th edition of international marketing with their well rounded perspective of international markets

international marketing philip r cateora mary c gilly john - Jun 17 2023

sep 28 2012 now with over 100 new academic articles and their findings integrated into this 16th edition providing a well rounded perspective of international markets that encompasses history geography

international marketing 16th edition philip cateora john - Aug 19 2023

sep 28 2012 international marketing 16th edition philip cateora john graham mary gilly kent publishing company sep 28 2012 business economics 466 pages bibliographic

[chinese corporate borrowing slumped in q3 according to china](#) - Feb 01 2022

oct 16 2023 2 18 chinese corporate borrowing growth slumped in the third quarter according to china beige book international which expects policymakers to shy away from rolling out any major stimulus to

international marketing philip r cateora mary c gilly john l - Mar 14 2023

nov 9 2015 international marketing philip r cateora mary c gilly john l graham r bruce money mcgraw hill education 2016 export marketing 662 pages

international marketing edn 15 by philip r cateora mary c - Mar 02 2022

jan 1 2010 international marketing edn 15 by philip r cateora mary c gilly john graham paperback january 1 2010 by cateora graham author 3 4 3 4 out of 5 stars 8 ratings

international marketing cateora philip r free download - Jul 18 2023

volume 14 xxxi 711 pages 29 cm cateora and graham s international marketing is far and away the best selling text in the field with a pioneering approach to making the material accessible and relevant that has become the standard by which other books are judged

loose leaf international marketing 16th edition amazon com - Dec 11 2022

oct 5 2012 loose leaf international marketing cateora philip graham john gilly mary on amazon com free shipping on qualifying offers loose leaf international marketing

international marketing philip r cateora google books - Oct 09 2022

irwin 1996 export marketing 770 pages cateora and graham s international marketing is far and away the best selling text in the field with a pioneering approach to making the material accessible and relevant that has become the standard by which other books are judged

principles of agronomy by reddy text pdf uniport edu - Feb 27 2022

web aug 17 2023 principles of agronomy by reddy text is available in our digital library an online access to it is set as public so you can download it instantly our books collection spans in multiple countries allowing you to get the most less latency time to download

principles of agronomy s r reddy google books - Aug 16 2023

web title principles of agronomy author s r reddy edition 4 publisher kalyani publishers 2011 isbn

principles of agronomy buy principles of agronomy by gh sankara reddy - Dec 28 2021

web principles of agronomy by gh sankara reddy t yellamanda reddy from flipkart com only genuine products 30 day replacement guarantee free shipping cash on delivery

principles of agronomy sr reddy kalyani publishers - Mar 11 2023

web principles of agronomy paperback 1 january 2018 by sr reddy author kalyani publishers contributor 4 3 108 ratings see all formats and editions

pdf principles of agronomy by reddy text - Mar 31 2022

web principles of agronomy by reddy text the agronomy and economy of turmeric and ginger jun 14 2020 turmeric has been

used as a medicine a condiment and a dye since at least 600 b c while ginger has been used extensively throughout history for its medicinal purposes the agronomy and economy of

principles of agronomy by t yellamanda reddy goodreads - Feb 10 2023

web jan 1 2016 read 28 reviews from the world s largest community for readers principles of agronomy paperback jan 01 2016 reddy t yallamanda reddy g h shankara

principles of agronomy by reddy text pdf uniport edu - May 13 2023

web web7 jun 2023 present is principles of agronomy by reddy text below it is your surely own age gracefully to demonstrate evaluating practice in the end you will unequivocally detect a supplemental skillset and undertaking by expending additional money

principles of agronomy paperback 1 january 2014 amazon in - Jan 29 2022

web principles of agronomy by the author is one of the most popular books with a wide readership across agricultural universities in the country in the present edition sincere effort has been made to present principles of agronomy in such a way as to meet the needs of all those associated with agriculture information in all the chapters has been

principles of agronomy reddy s r rokomari com - Jan 09 2023

web get author reddy s r s original book principles of agronomy from rokomari com enjoy free shipping cash on delivery and extra offers on eligible purchases

buy principles of agronomy book online at low prices in india - Nov 07 2022

web 10 days from delivery replacement the science of agronomy is a specialised subject dealing with all aspects of field crop production which accelerates the pace of food production aided by the progress made in understanding the intricate relationships between crop growth and yield and between crop and its environment of climate soil biotic

t yellamanda reddy author of principles of agronomy goodreads - Dec 08 2022

web t yellamanda reddy is the author of principles of agronomy 3 73 avg rating 314 ratings 28 reviews

principles of agronomy by reddy and reddy youtube - May 01 2022

web nov 3 2020 principles of agronomy by reddy and reddy chapter 1 hello aspirants welcome to the world of agriculture this channel is a one stop solution for all the aspirants having agronomy as their

principles of agronomy t yellamanda reddy g h sankara reddy - Oct 06 2022

web principles of agronomy t yellamanda reddy g h sankara reddy kalyani publishers quantity share now authors name t yellamanda reddy g h sankara reddy isbn 13 9789327269154 publisher kalyani publishers

amazon in buy principles of agronomy book online at low - Jul 03 2022

web amazon in buy principles of agronomy book online at best prices in india on amazon in read principles of agronomy book

reviews author details and more at amazon in free delivery on qualified orders

[principle of agronomy pdf google drive](#) - Jul 15 2023

web view details request a review learn more

[best books for icar jrf agronomy reference books pdf](#) - Aug 04 2022

web may 12 2023 principles of agronomy by s r reddy principles of agronomy by reddy reddy textbook of field crops

production by rajendra prasad weed science basic and applications by t k das weed management principles and practices by

o p gupta irrigation agronomy by sr reddy introductory soil science by d k das

[principles of agronomy s r reddy google books](#) - Jun 14 2023

web s r reddy kalyani publishers 2015 agronomy 694 pages agriculture or farming is the most important human economic

activities it differs from other industries in that it is a biological process the primary products are organic and the resource

base is the physical environment of land water and air

[a textbook of agronomy wordpress com](#) - Jun 02 2022

web of agronomy in general the courses dealt to the graduate students are principles of agronomy agricultural heritage of

india agricultural meteorology principles of weed science irrigation management dry farming agronomy of field crops and

biofuel crops this book has been prepared with a specific purpose of importing complete comprehensive

[principles of agronomy by s r reddy goodreads](#) - Sep 05 2022

web read 7 reviews from the world s largest community for readers principles of agronomy paperback jan 01 2016 sr reddy

pdf principles of agronomy researchgate - Apr 12 2023

web feb 5 2021 pdf on feb 5 2021 r k naresh and others published principles of agronomy find read and cite all the research

you need on researchgate

[seventh edition vector mechanics for engineers](#) - Jun 12 2023

web vector mechanics for engineers statics seventh edition ferdinand p beer e russell johnston jr ders notu hayri acar

İstanbul teknik Üniveritesi tel 285 31 46 116 e mail acarh itu edu tr

vector mechanics for engineers statics and dynamics 7th - Sep 03 2022

web the new seventh edition of vector mechanics for engineers statics and dynamics continues this tradition the seventh

edition is complemented by a media and supplement package that is targeted to address core course needs

[vector mechanics for engineers statics 7th cap 03](#) - Aug 02 2022

web vector mechanics for engineers statics 7th cap 03 free ebook download as pdf file pdf or read book online for free

[vector mechanics for engineers statics and dynamics](#) - Apr 29 2022

web find step by step solutions and answers to vector mechanics for engineers statics and dynamics 9780071218283 as well

as thousands of textbooks so you can move forward with confidence try magic notes and save time

seventh edition vector mechanics for engineers - Feb 25 2022

web h vector mechanics for engineers statics dition 4 4 serbest cisim diyagramı rijit bir statik denge analizindeki ilk aama cisme etkiyen tüm kuvvetleri bir sertbest cisim diyagramında göstermektedir serbest cisim diyagramının sınırlarını belirleyin ve tüm zemin ve diğer bağlantı elemanlarından kurtarın

seventh edition vector mechanics for engineers - Oct 04 2022

web vector mechanics for engineers statics ferdinand p beer e russell johnston jr ders notu hayri acar İstanbul teknik Üniversitesi tel 285 31 46 116 e mail acarh itu edu tr 5 yayılı kuvvetler sentroid ve ağırlık merkezi web atlas cc itu edu tr acarh 2002 the mcgraw hill companies inc all rights

vector mechanics for engineers statics and dynamics - Dec 06 2022

web vector mechanics for engineers helps students analyze problems in a simple and logical manner and then apply basic principles to their solutions encouraging a strong conceptual understanding of these basic principles

seventh edition vector mechanics for engineers - Jul 13 2023

web statik denge analizinde ilk işlem cisime etki eden tüm kuvvetlerin serbest cisim diyagramı ile belirlenmesidir İncelenecek eleman seçilir ve tüm elemanlardan izole edilir cisimin ağırlığı da dahil olmak üzere tüm dış kuvvetlerin şiddeti yönü ve uygulama noktası belirlenir

seventh edition - Mar 29 2022

web h vector mechanics for engineers statics dition 2 3 İçerik giri İki kuvvetin bilekesi vektörler vektörlerin toplanması aynı noktadan geçen bir kaç vektörün bilekesi rectangular components of a force unit vectors addition of forces by summing components sample problem 2 3 equilibrium of a particle

vector mechanics for engineers statics 7th edition textbook - Nov 05 2022

web access vector mechanics for engineers statics 7th edition solutions now our solutions are written by chegg experts so you can be assured of the highest quality

vector mechanics for engineers statics 7th edition book - Aug 14 2023

web feb 15 2005 vector mechanics for engineers statics 7th edition book access card 7th edition by ferdinand p beer author e russell johnston jr author elliot r eisenberg author 75 ratings hardcover 11 38 12 used from 4 90 paperback 28 11 36 05 12 used from 23 90 34 new from 23 17 multimedia cd 121 01 1 used from

vector mechanics for engineers statics 7th edition book - Mar 09 2023

web vector mechanics for engineers statics 7th edition book access card beer ferdinand p johnston jr e russell eisenberg elliot r staab george h 9780073209258 abebooks

[vector mechanics for engineers by ferdinand p beer open](#) - Jan 07 2023

web jan 7 2023 publisher mcgraw hill higher education language english pages 1326 previews available in english subjects engineering mechanics vector analysis applied mechanics statics dynamics technische mechanik vektoranalysis mécanique appliquée statique dynamique mechanics applied

vector mechanics for engineers statics 7th cap 02 - Apr 10 2023

web vector mechanics for engineers statics 7th cap 02 free ebook download as pdf file pdf text file txt or read book online for free

[vector mechanics for engineers statics 7th cap academia edu](#) - Sep 15 2023

web the present is the solution to the tenth edition of exercises of the statics book by beer jhonston the exercises were not solved by me download free pdf view pdf

vector mechanics for engineers static studocu - Jan 27 2022

web vector mechanics for engineers statics 4 5 reactions at supports and connections for a two dimensional structure reactions equivalent to a force with known line of action vector mechanics for engineers statics 4 7 equilibrium of

vector mechanics for engineers chapter 07 pdf academia edu - May 31 2022

web vector mechanics for engineers chapter 07 pdf the axis of the curved member ab is a parabola with vertex at a if a vertical load p of magnitude 450 lb is applied at a determine the internal forces at j when h 12 in l 40 in and a 24 in a 5 in diameter pipe is supported every 9 ft by a small frame consisting of two members as shown

vector mechanics for engineers statics 7th chapter 5 pdf - Jul 01 2022

web jan 15 2013 vector mechanics for engineers statics 7th chapter 5 download as a pdf or view online for free

vector mechanics for engineers statics and dynamics 7th - Feb 08 2023

web solutions manuals are available for thousands of the most popular college and high school textbooks in subjects such as math science physics chemistry biology engineering mechanical electrical civil business and more understanding vector mechanics for engineers statics and dynamics 7th edition homework has never been easier

seventh edition vector mechanics for engineers - May 11 2023

web vector mechanics for engineers statics $\frac{3}{4}$ giriş $\frac{3}{4}$ kuru sürtünme kanunları sürtünme katsayıları ϕ s 16 7 8kn 5mm 40 n m 40 n m