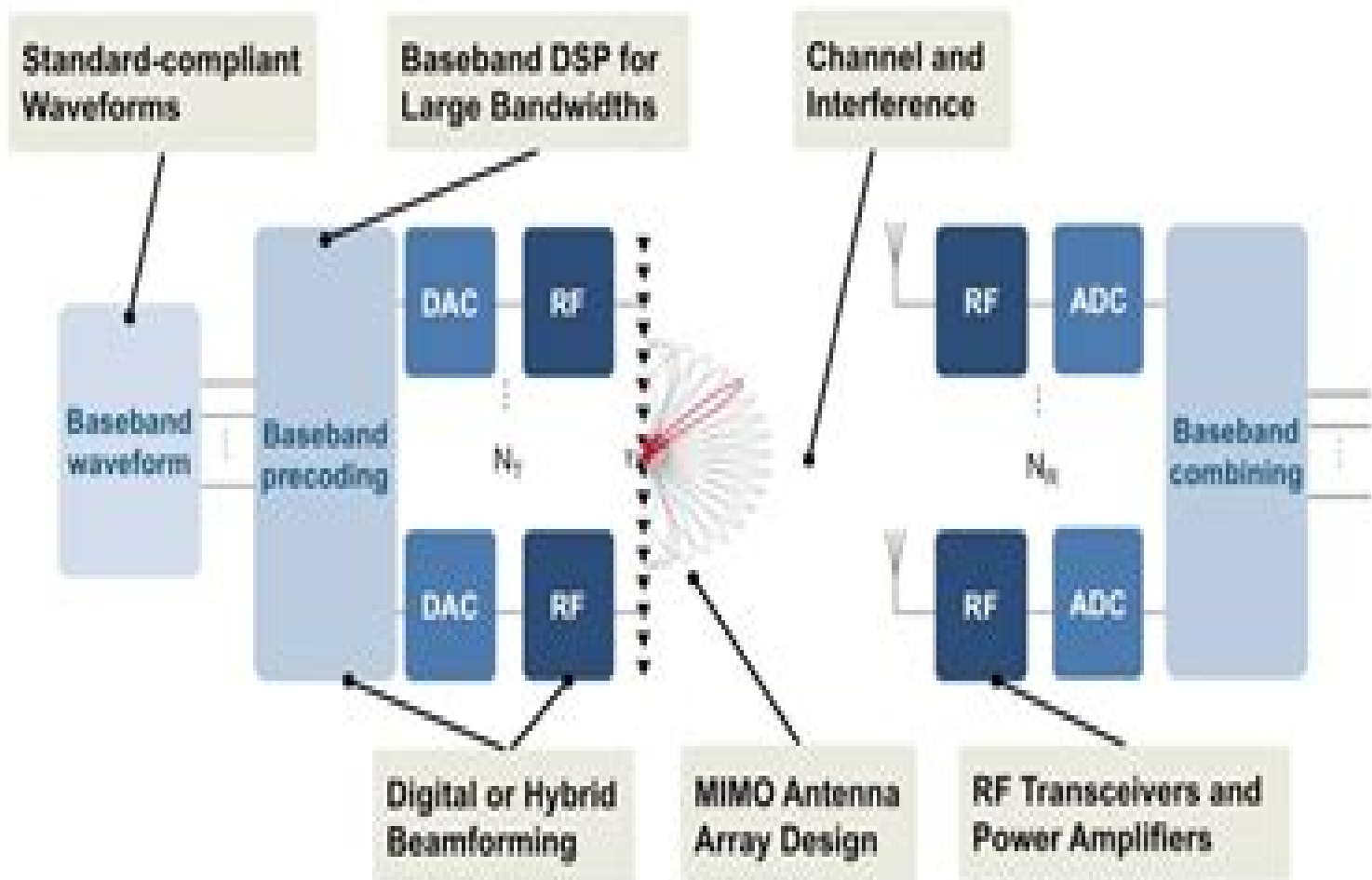


# Multi-Domain Engineering for 5G

*Subsystems must be designed and tested together*



# 5g Wireless Technology Development Matlab Simulink

**Ashish Bagwari, Geetam Singh  
Tomar, Jyotshana Bagwari, Jorge Luis  
Victória Barbosa, Musti K.S. Sastry**

## **5g Wireless Technology Development Matlab Simulink:**

Advanced Wireless Communication and Sensor Networks Ashish Bagwari, Geetam Singh Tomar, Jyotshana Bagwari, Jorge Luis Victória Barbosa, Musti K.S. Sastry, 2023-07-12 This book covers wireless communication security issues advanced wireless sensor networks WSNs routing protocols of WSNs with cross layer solutions emerging trends in the advanced WSNs power management distributed sensing and data gathering techniques for WSNs WSNs security applications research of advanced WSNs with simulation results and simulation tools for WSNs Features Covers technologies supporting advanced wireless communication systems sensor networks and the conceptual development of the subject Discusses advanced data gathering and sharing distributed sensing techniques with its business applicability Includes numerous worked out mathematical equations and formulas as well as essential principles including figures illustrations algorithms and flow charts Provides pervasive background knowledge including both wireless communications and WSNs Covers wireless networks as well as sensor network models in detail This book is aimed at graduate students researchers and academics working in the field of computer science wireless communication technology and advanced WSNs Advanced Wireless Communication Systems: A Comprehensive Guide Sandeep Kumar Singh, Ashok Kumar, 2026-01-27 Advanced Wireless Communication Systems A Comprehensive Guide bridges foundational principles with emerging paradigms to present a unified and in depth exploration of the technologies architectures and innovations shaping contemporary and next generation wireless networks Opening with an overview of wireless technology evolution the book discusses global standards and regulatory frameworks for wireless networks while also systematically exploring wireless channel modelling simulation methodologies and a wide range of network architectures including cellular networks Wi Fi Bluetooth Zigbee LoRaWAN and IoT connectivity frameworks Advanced physical layer and system level technologies such as MIMO OFDM millimetre wave terahertz communication and free space optical systems are examined in detail along with critical security and privacy challenges in modern wireless networks Later chapters focus on future facing innovations including massive MIMO beamforming cognitive radio dynamic spectrum access and vehicular communication systems The book culminates with cutting edge topics such as machine learning driven network slicing latency optimisation for ultra reliable low latency communications URLLC and noncoherent system design targeting 6G class applications Key Features Comprehensive coverage from wireless communication fundamentals to cutting edge technologies An integrated perspective on wireless communication methods combining theory simulation methods and practical case studies Dedicated chapters on AI enabled optimisation cognitive radio and URLLC Clear illustrations comparative analyses and real world application insights **Recent Trends and Applications of Soft Computing in Engineering (RTASCE)— Sarajevo** Benjamin Duraković, Ali Abd Almisreb, Jasmin Šutković, 2025-04-29 Recent Trends and Applications of Soft Computing in Engineering RTASCE a key resource showcasing research and development in engineering Created at the inaugural RTASCE conference in Sarajevo this edited volume brings

together leading scholars and researchers to explore the transformative applications of soft computing in a variety of fields. With topics ranging from artificial intelligence and the Internet of Things (IoT) to machine learning, this book offers practical applications and insight into future trends, making it an invaluable addition to any academic library. This book bridges the biological sciences and engineering through programming, encouraging interdisciplinary collaboration. Structured into five main sections including artificial intelligence, IoT communication systems, bioengineering, and manufacturing management, RTASCE not only highlights real-world case studies and expert perspectives but also provides practical guidance for practitioners looking to integrate soft computing techniques into their work.

**Signal Processing Techniques for Communication** K.C. Raveendranathan, 2024-10-30. The reference text discusses signal processing tools and techniques used for the design, testing, and deployment of communication systems. It further explores software simulation and modeling tools like MATLAB, GNU Octave, Mathematica, and Python for modeling simulation and detailed analysis, leading to comprehensive insights into communication systems. The book explains topics such as source coding, pulse demodulation systems, and the principle of sampling and aliasing. This book discusses modern techniques including analog and digital filter design and modulation principles, including quadrature amplitude modulation and differential phase shift keying. Covers filter design using MATLAB system simulation using Simulink, signal processing toolbox, linear time invariant systems, and non-linear time variant systems. Explains important pulse keying techniques including Gaussian minimum shift keying and quadrature phase shift keying. Presents signal processing tools and techniques for communication systems design, modeling, simulation, and deployment. Illustrates topics such as software defined radio (SDR) systems, spectrum sensing, and automated modulation sensing. The text is primarily written for senior undergraduates, graduate students, and academic researchers in the fields of electrical engineering, electronics, and communication engineering, computer science, and engineering.

**Vibration Engineering for a Sustainable Future** Sebastian Oberst, Benjamin Halkon, Jinchun Ji, Terry Brown, 2020-12-19. This volume presents the proceedings of the Asia Pacific Vibration Conference (APVC) 2019, emphasizing work devoted to Vibration Engineering for a Sustainable Future. The APVC is one of the larger conferences held biannually with the intention to foster scientific and technical research collaboration among Asia Pacific countries. The APVC provides a forum for researchers, practitioners, and students from, but not limited to, areas around the Asia Pacific countries in a collegial and stimulating environment to present, discuss, and disseminate recent advances and new findings on all aspects of vibration and noise, their control, and utilization. All aspects of vibration, acoustics, vibration and noise control, vibration utilization, fault diagnosis, and monitoring are appropriate for the conference, with the focus this year on the vibration aspects in dynamics and noise. This 18th edition of the APVC was held in November 2019 in Sydney, Australia. The previous seventeen conferences have been held in Japan (85, 93, 07), Korea (87, 97, 13), China (89, 01, 11, 17), Australia (91, 03), Malaysia (95, 05), Singapore (99), New Zealand (09), and Vietnam (15).

*Radio Receivers for Systems of Fixed and Mobile Communications* Vasilii V.

Logvinov, Sergey M. Smolskiy, 2022-05-13 The textbook acquaints the reader with the architecture of receivers of analog and digital radio systems helps to study the stages of designing a modern radio receiver and reveals the reasons and methods for its effective operation in networks for various purposes Particular attention is paid to the methods of generating and processing signals in the receivers of digital systems with multiple access which make it possible to provide data transfer rates close to the maximum possible according to Shannon As a textbook for students studying methods of optimal signal reception the book will also be useful to specialists in the field of telecommunications involved in the development of radio receivers The book shows how the development of theoretical circuitry and integrated technologies led to the active introduction of algorithmic methods for signal processing changed both the design of receivers and the methods of forming the information flow in free space MIMO beamforming The creation of a global 5G network based on heterogeneous networks puts forward new requirements for the architecture of receivers which are determined by the requirements to achieve high data rates low time delays or use in networks with coordinated multipoint transmission and reception CoMP To consolidate the knowledge gained the book includes a complete set of materials for online classes including questions and answers a guide to solving problems for each chapter and computer modeling units of receivers in the MicroCAP environment based on preliminary calculations *Developing MATLAB Comprehensive Simulation for 5G/6G Wireless Communications* Phuong T. Tran, Tan N. Nguyen, Lam-Thanh Tu, 2026-01-08 This book introduces how to build an integrated simulation tool on the MATLAB platform to simulate advanced techniques at the physical layer of 5G and 6G networks such as modulation multiple access energy saving technologies massive MIMO physical layer security cognitive radio and artificial intelligence This simulation tool has a user friendly interactive interface with usage instructions and outputs graphs to evaluate the performance of each method The goal of the simulations is to achieve results related to performance indicators at the physical layer such as outage probability throughput bit error rate or frame error rate and security capacity This book helps the readers learn how to build a simulation framework for evaluating advanced 5G 6G technologies by themselves and apply them to their research **5G NR Modelling in MATLAB** Tulsi Pawan Fowdur, Madhavsingh Indoonundon, Dragorad A. Milovanovic, Zoran S. Bojkovic, 2024-06-30 5G is the fifth generation of wireless technology and NR stands for a new radio interface and radio access technology for cellular networks i e a physical connection method for radio based communication It is a powerful platform that supports a wide range of services that includes enhanced mobile broadband massive machine type communication and ultra reliability and low latency covering several vertical industries such as e health transportation energy media and factories automation This book provides a detailed description of the fundamental aspects of 5G It gives an in depth coverage of the network architecture of 5G by considering both the network reference point architecture and the service based architecture It also describes all the user and control plane protocols including the standalone and non standalone architecture options The radio access technologies such as the waveforms used in 5G the multi access and

duplexing techniques as well as the resource allocation schemes are treated in details Additionally the physical layer signal processing blocks of 5G NR are covered in depth with elaborate numerical examples to illustrate the functioning of each block in the 5G downlink transmitter and receiver chain The main originality of this book is the detailed illustration of the 5G NR pre processing steps as well as Matlab simulation models with explanation on the codes to allow for a seamless understanding of the principles In general this book is meant for anyone with a basic engineering background who would be interested to acquire a solid foundation in the fundamental concepts of 5G NR

**5G Wireless Systems** Yang Yang,Jing Xu,Guang Shi,Cheng-Xiang Wang,2017-09-14 This book focuses on key simulation and evaluation technologies for 5G systems Based on the most recent research results from academia and industry it describes the evaluation methodologies in depth for network and physical layer technologies The evaluation methods are discussed in depth It also covers the analysis of the 5G candidate technologies and the testing challenges the evolution of the testing technologies fading channel measurement and modeling software simulations software hardware cosimulation field testing and other novel evaluation methods The fifth generation 5G mobile communications system targets highly improved network performances in terms of the network capacity and the number of connections Testing and evaluation technologies is widely recognized and plays important roles in the wireless technology developments along with the research on basic theory and key technologies The investigation and developments on the multi level and comprehensive evaluations for 5G new technologies provides important performance references for the 5G technology filtering and future standardizations Students focused on telecommunications electronic engineering computer science or other related disciplines will find this book useful as a secondary text Researchers and professionals working within these related fields will also find this book useful as a reference

**Cloud Based 5G Wireless Networks** Yin Zhang,Min Chen,2016-11-09 This SpringerBrief introduces key techniques for 5G wireless networks The authors cover the development of wireless networks that led to 5G and how 5G mobile communication technology 5G can no longer be defined by a single business model or a typical technical characteristic The discussed networks functions and services include Network Foundation Virtualization N FV Cloud Radio Access Networks Cloud RAN and Mobile Cloud Networking MCN The benefits of cloud platforms are examined as are definable networking and green wireless networking Other related and representative projects on 5G are mobile and wireless communications enablers for the Twenty Twenty Information Society Multi hop Cellular Networks Network Function as a Service over Virtualized Infrastructures iJOIN and Nuage Virtualized Services Platform Major applications of 5G range from RAN sharing and Multi Operator Core Networks to mobile convergence Enhancing the user experience by providing smart and customized services 5G will support the explosive growth of big data mobile internet digital media and system efficiency This SpringerBrief is designed for professionals researchers and academics working in networks or system applications Advanced level students of computer science or computer engineering will also find the content valuable

**Design Methodologies**

**and Tools for 5G Network Development and Application** Suresh, P., Vairavel, G., Saravanakumar, U., 2020-12-25 The demand for mobile broadband will continue to increase in upcoming years largely driven by the need to deliver ultra high definition video 5G is not only evolutionary it also provides higher bandwidth and lower latency than the current generation technology More importantly 5G is revolutionary in that it is expected to enable fundamentally new applications with much more stringent requirements in latency and bandwidth 5G should help solve the last mile last kilometer problem and provide broadband access to the next billion users on earth at a much lower cost because of its use of new spectrum and its improvements in spectral efficiency 5G wireless access networks will need to combine several innovative aspects of decentralized and centralized allocation looking to maximize performance and minimize signaling load Research is currently conducted to understand the inspirations requirements and the promising technical options to boost and enrich activities in 5G Design Methodologies and Tools for 5G Network Development and Application presents the enhancement methods of 5G communication explores the methods for faster communication and provides a promising alternative solution that equips designers with the capability to produce high performance scalable and adoptable communication protocol This book provides complete design methodologies supporting tools for 5G communication and innovative works The design and evaluation of different proposed 5G structures signal integrity reliability low power techniques application mapping testing and future trends This book is ideal for researchers who are working in communication networks design and implementations industry personnel engineers practitioners academicians and students who are interested in the evolution importance usage and technology adoption for 5G applications [5G Outlook - Innovations and Applications](#) Ramjee Prasad, 2024-10-21

[Channel Modeling in 5G Wireless Communication Systems](#) Hao Jiang, Guan Gui, 2019-12-02 This book addresses the fundamental design and technical challenges for fifth generation 5G wireless channel models including multi frequency bands and multi scenarios The book presents a strong vision for 5G wireless communication networks based on current market trends proven technologies and future directions The book helps enable researchers and industry professionals to come up with novel ideas in the area of wireless heterogeneity to minimize traffic accidents to improve traffic efficiency and to foster the development of new applications such as mobile infotainment The book acts as a comprehensive reference for students instructors researchers engineers and other professionals building their understanding of 5G and in designing 5G systems Addresses fundamental design and technical challenges for 5G wireless channel models Presents how to create reliable statistical channel models to capture the propagation properties between transmitters and receivers Pertinent to researchers engineers and professionals in 5G [Fundamentals of 5G Mobile Networks](#) Jonathan Rodriguez, 2015-04-27 Fundamentals of 5G Mobile Networks provides an overview of the key features of the 5th Generation 5G mobile networks discussing the motivation for 5G and the main challenges in developing this new technology This book provides an insight into the key areas of research that will define this new system technology paving the path towards future research and

development The book is multi disciplinary in nature and aims to cover a whole host of intertwined subjects that will predominantly influence the 5G landscape including the future Internet cloud computing small cells and self organizing networks SONs cooperative communications dynamic spectrum management and cognitive radio Broadcast Broadband convergence 5G security challenge and green RF This book aims to be the first of its kind towards painting a holistic perspective on 5G Mobile allowing 5G stakeholders to capture key technology trends on different layering domains and to identify potential inter disciplinary design aspects that need to be solved in order to deliver a 5G Mobile system that operates seamlessly

*Signal Processing for 5G* Fa-Long Luo, Charlie Jianzhong Zhang, 2016-08-11 A comprehensive and invaluable guide to 5G technology implementation and practice in one single volume For all things 5G this book is a must read Signal processing techniques have played the most important role in wireless communications since the second generation of cellular systems It is anticipated that new techniques employed in 5G wireless networks will not only improve peak service rates significantly but also enhance capacity coverage reliability low latency efficiency flexibility compatibility and convergence to meet the increasing demands imposed by applications such as big data cloud service machine to machine M2M and mission critical communications This book is a comprehensive and detailed guide to all signal processing techniques employed in 5G wireless networks Uniquely organized into four categories New Modulation and Coding New Spatial Processing New Spectrum Opportunities and New System level Enabling Technologies it covers everything from network architecture physical layer down link and up link protocols and air interface to cell acquisition scheduling and rate adaption access procedures and relaying to spectrum allocations All technology aspects and major roadmaps of global 5G standard development and deployments are included in the book Key Features Offers step by step guidance on bringing 5G technology into practice by applying algorithms and design methodology to real time circuit implementation taking into account rapidly growing applications that have multi standards and multi systems Addresses spatial signal processing for 5G in particular massive multiple input multiple output massive MIMO FD MIMO and 3D MIMO along with orbital angular momentum multiplexing 3D beamforming and diversity Provides detailed algorithms and implementations and compares all multicarrier modulation and multiple access schemes that offer superior data transmission performance including FBMC GFDM F OFDM UFMC SEFDM FTN MUSA SCMA and NOMA Demonstrates the translation of signal processing theories into practical solutions for new spectrum opportunities in terms of millimeter wave full duplex transmission and license assisted access Presents well designed implementation examples from individual function block to system level for effective and accurate learning Covers signal processing aspects of emerging system and network architectures including ultra dense networks UDN software defined networks SDN device to device D2D communications and cloud radio access network C RAN

*5G NR* Sassan Ahmadi, 2019-06-18 *5G NR Architecture Technology Implementation and Operation of 3GPP New Radio Standards* is an in depth systematic technical reference on 3GPP s New Radio standards Release 15 and beyond covering the

underlying theory functional descriptions practical considerations and implementation of the 5G new radio access technology The book describes the design and operation of individual components and shows how they are integrated into the overall system and operate from a system s perspective Uniquely this book gives detailed information on RAN protocol layers transports network architectures and services as well as practical implementation and deployment issues making it suitable for researchers and engineers who are designing and developing 5G systems Reflecting on the author s 30 plus years of experience in signal processing microelectronics and wireless communication system design this book is ideal for professional engineers researchers and graduate students who are working and researching in cellular communication systems and protocols as well as mobile broadband wireless standards

### **Index Modulation for 5G Wireless**

**Communications** Miaowen Wen,Xiang Cheng,Liuqing Yang,2016-12-23 This book presents a thorough examination of index modulation an emerging 5G modulation technique It includes representative transmitter and receiver design optimization and performance analysis of index modulation in various domains First the basic spatial modulation system for the spatial domain is introduced Then the development of a generalized pre coding aided quadrature spatial modulation system as well as a virtual spatial modulation system are presented For the space time domain a range of differential spatial modulation systems are examined along with the pre coding design Both basic and enhanced index modulated OFDM systems for the frequency domain are discussed focusing on the verification of their strong capabilities in inter carrier interference mitigation Finally key open problems are highlighted and future research directions are considered Designed for researchers and professionals this book is essential for anyone working in communications networking 5G and system design Advanced level students of engineering and computer science interested in efficiency techniques will also find the content valuable

An Introduction to 5G Wireless Networks Saro Velrajan,2020-07-01 An Introduction to 5G Wireless Networks book is for students engineers managers and for marketing sales executives to develop a good understanding of the 5G technology This book covers the 5G architecture 5G New Radio NR 5G Next Generation Core NG Core Network Slicing Virtualization of 5G Components Multi access Edge Computing MEC and the various 5G use cases This book provides details on the evolution of the wireless networks from 1G to 5G status of 5G deployments and the 5G marketplace standard bodies open source communities and vendors After reading this book you will be able to have discussions with customers interviewers and other stakeholders on the 5G concepts ecosystem and use cases

### **5G and Beyond Wireless Networks**

Indrasen Singh,Shubham Tayal,Niraj Pratap Singh,Vijay Shanker Tripathi,Ghanshyam Singh,2024-02-26 5G and Beyond Wireless Networks Technology Network Deployments and Materials for Antenna Design offers a comprehensive overview of 5G and beyond 5G wireless networks along with emerging technologies that support the design and development of wireless networks It also includes discussions on various materials used for practical antenna design which are suitable for 5G beyond 5G applications and cell free massive MIMO systems The book discusses the latest techniques used in 5G and beyond 5G B5G

communication such as non orthogonal multiple access NOMA device to device D2D communication 6G ultra dense O RAN rate splitting multiple access RSMA simultaneous wireless information and power transfer SWIPT massive multiple input multiple output mMIMO and cell free massive MIMO systems which are explained in detail for 5G and beyond cellular networks The description of NOMA and their benefit for 5G and beyond networks is also addressed along with D2D communication for next generation cellular networks RSMA technique is also explained for 6G communication Detailed descriptions for the design and development of 5G and beyond networks over various techniques are included The materials specification to design antenna for 5G application are also given The role of metalens in designing effective antennas and material specifications for 5G applications is explained in this book Apart from the above emerging topics this book also gives ideas about intelligent communication Internet of Multimedia Things IOMT millimeter wave MIMO UPMC and fog computing cloud networks The last chapter gives details about the legal frameworks for 5G technology for responsible and sustainable deployment Overall this book may benefit network design engineers and researchers working in the area of next generation cellular networks The contents of this book will be helpful for young researchers and master students and network design engineers who are working in the area of next generation cellular networks

*5G System Design* Wan Lei, Anthony C.K. Soong, Liu Jianghua, Wu Yong, Brian Classon, Weimin Xiao, David Mazzaresse, Zhao Yang, Tony Saboorian, 2019-09-09 This book presents a detailed pedagogical description of the 5G commercial wireless communication system design from an end to end perspective It compares and contrasts NR with LTE and gives a concise and highly accessible description of the key technologies in the 5G physical layer radio access network layer protocols and procedures This book also illustrates how the 5G core and EPC is integrated into the radio access network how virtualization and edge computer fundamentally change the way users interact with the network as well as 5G spectrum issues This book is structured into six chapters The first chapter reviews the use cases requirements and standardization organization and activities for 5G These are 5G requirements and not NR specifically as technology that meets the requirements may be submitted to the ITU as 5G technology This includes a set of Radio Access Technologies RATs consisting of NR and LTE with each RAT meeting different aspects of the requirements The second chapter describes the air interface of NR and LTE side by side The basic aspects of LTE that NR builds upon are first described followed by sections on the NR specific technologies such as carrier channel spectrum duplexing including SUL LTE NR co existence and new physical layer technologies including waveform Polar LDPC codes MIMO and URLLC mMTC In all cases the enhancements made relative to LTE are made apparent The third chapter contains descriptions of NR procedures IAM Beam Management Power control HARQ protocols CP UP mobility including grant free and RAN architecture The fourth chapter includes a detailed discussion related to end to end system architecture and the 5G Core 5GC network slicing service continuity relation to EPC network virtualization and edge computing The fifth and major chapter describes the ITU submission and how NR and LTE meet the 5G requirements in significant detail from the

rapporteur responsible for leading the preparation and evaluation as well as some field trial results Engineers computer scientists and professionals with a passing knowledge of 4G LTE and a comprehensive understanding of the end to end 5G commercial wireless system will find this book to be a valuable asset Advanced level students and researchers studying and working in communication engineering who want to gain an understanding of the 5G system as well as methodologies to evaluate features and technologies intended to supplement 5G will also find this book to be a valuable resource

## **5g Wireless Technology Development Matlab Simulink** Book Review: Unveiling the Power of Words

In a world driven by information and connectivity, the ability of words has become much more evident than ever. They have the capacity to inspire, provoke, and ignite change. Such is the essence of the book **5g Wireless Technology Development Matlab Simulink**, a literary masterpiece that delves deep to the significance of words and their affect our lives. Compiled by a renowned author, this captivating work takes readers on a transformative journey, unraveling the secrets and potential behind every word. In this review, we shall explore the book's key themes, examine its writing style, and analyze its overall affect readers.

<https://py.bijouxmedusa.com/book/browse/HomePages/America%2021%201061%20Interview%20Tips%20Step%20By%20Step%20America%2021%20130%20Interview.pdf>

### **Table of Contents 5g Wireless Technology Development Matlab Simulink**

1. Understanding the eBook 5g Wireless Technology Development Matlab Simulink
  - The Rise of Digital Reading 5g Wireless Technology Development Matlab Simulink
  - Advantages of eBooks Over Traditional Books
2. Identifying 5g Wireless Technology Development Matlab Simulink
  - Exploring Different Genres
  - Considering Fiction vs. Non-Fiction
  - Determining Your Reading Goals
3. Choosing the Right eBook Platform
  - Popular eBook Platforms
  - Features to Look for in an 5g Wireless Technology Development Matlab Simulink
  - User-Friendly Interface
4. Exploring eBook Recommendations from 5g Wireless Technology Development Matlab Simulink
  - Personalized Recommendations
  - 5g Wireless Technology Development Matlab Simulink User Reviews and Ratings

- 5g Wireless Technology Development Matlab Simulink and Bestseller Lists
- 5. Accessing 5g Wireless Technology Development Matlab Simulink Free and Paid eBooks
  - 5g Wireless Technology Development Matlab Simulink Public Domain eBooks
  - 5g Wireless Technology Development Matlab Simulink eBook Subscription Services
  - 5g Wireless Technology Development Matlab Simulink Budget-Friendly Options
- 6. Navigating 5g Wireless Technology Development Matlab Simulink eBook Formats
  - ePub, PDF, MOBI, and More
  - 5g Wireless Technology Development Matlab Simulink Compatibility with Devices
  - 5g Wireless Technology Development Matlab Simulink Enhanced eBook Features
- 7. Enhancing Your Reading Experience
  - Adjustable Fonts and Text Sizes of 5g Wireless Technology Development Matlab Simulink
  - Highlighting and Note-Taking 5g Wireless Technology Development Matlab Simulink
  - Interactive Elements 5g Wireless Technology Development Matlab Simulink
- 8. Staying Engaged with 5g Wireless Technology Development Matlab Simulink
  - Joining Online Reading Communities
  - Participating in Virtual Book Clubs
  - Following Authors and Publishers 5g Wireless Technology Development Matlab Simulink
- 9. Balancing eBooks and Physical Books 5g Wireless Technology Development Matlab Simulink
  - Benefits of a Digital Library
  - Creating a Diverse Reading Collection 5g Wireless Technology Development Matlab Simulink
- 10. Overcoming Reading Challenges
  - Dealing with Digital Eye Strain
  - Minimizing Distractions
  - Managing Screen Time
- 11. Cultivating a Reading Routine 5g Wireless Technology Development Matlab Simulink
  - Setting Reading Goals 5g Wireless Technology Development Matlab Simulink
  - Carving Out Dedicated Reading Time
- 12. Sourcing Reliable Information of 5g Wireless Technology Development Matlab Simulink
  - Fact-Checking eBook Content of 5g Wireless Technology Development Matlab Simulink
  - Distinguishing Credible Sources

13. Promoting Lifelong Learning
  - Utilizing eBooks for Skill Development
  - Exploring Educational eBooks
14. Embracing eBook Trends
  - Integration of Multimedia Elements
  - Interactive and Gamified eBooks

### **5g Wireless Technology Development Matlab Simulink Introduction**

5g Wireless Technology Development Matlab Simulink Offers over 60,000 free eBooks, including many classics that are in the public domain. Open Library: Provides access to over 1 million free eBooks, including classic literature and contemporary works. 5g Wireless Technology Development Matlab Simulink Offers a vast collection of books, some of which are available for free as PDF downloads, particularly older books in the public domain. 5g Wireless Technology Development Matlab Simulink : This website hosts a vast collection of scientific articles, books, and textbooks. While it operates in a legal gray area due to copyright issues, its a popular resource for finding various publications. Internet Archive for 5g Wireless Technology Development Matlab Simulink : Has an extensive collection of digital content, including books, articles, videos, and more. It has a massive library of free downloadable books. Free-eBooks 5g Wireless Technology Development Matlab Simulink Offers a diverse range of free eBooks across various genres. 5g Wireless Technology Development Matlab Simulink Focuses mainly on educational books, textbooks, and business books. It offers free PDF downloads for educational purposes. 5g Wireless Technology Development Matlab Simulink Provides a large selection of free eBooks in different genres, which are available for download in various formats, including PDF. Finding specific 5g Wireless Technology Development Matlab Simulink, especially related to 5g Wireless Technology Development Matlab Simulink, might be challenging as theyre often artistic creations rather than practical blueprints. However, you can explore the following steps to search for or create your own Online Searches: Look for websites, forums, or blogs dedicated to 5g Wireless Technology Development Matlab Simulink, Sometimes enthusiasts share their designs or concepts in PDF format. Books and Magazines Some 5g Wireless Technology Development Matlab Simulink books or magazines might include. Look for these in online stores or libraries. Remember that while 5g Wireless Technology Development Matlab Simulink, sharing copyrighted material without permission is not legal. Always ensure youre either creating your own or obtaining them from legitimate sources that allow sharing and downloading. Library Check if your local library offers eBook lending services. Many libraries have digital catalogs where you can borrow 5g Wireless Technology Development Matlab Simulink eBooks for free, including popular titles. Online Retailers: Websites like Amazon, Google Books, or Apple Books often sell eBooks. Sometimes, authors or

publishers offer promotions or free periods for certain books. Authors Website Occasionally, authors provide excerpts or short stories for free on their websites. While this might not be the 5g Wireless Technology Development Matlab Simulink full book , it can give you a taste of the authors writing style. Subscription Services Platforms like Kindle Unlimited or Scribd offer subscription-based access to a wide range of 5g Wireless Technology Development Matlab Simulink eBooks, including some popular titles.

### **FAQs About 5g Wireless Technology Development Matlab Simulink Books**

How do I know which eBook platform is the best for me? Finding the best eBook platform depends on your reading preferences and device compatibility. Research different platforms, read user reviews, and explore their features before making a choice. Are free eBooks of good quality? Yes, many reputable platforms offer high-quality free eBooks, including classics and public domain works. However, make sure to verify the source to ensure the eBook credibility. Can I read eBooks without an eReader? Absolutely! Most eBook platforms offer web-based readers or mobile apps that allow you to read eBooks on your computer, tablet, or smartphone. How do I avoid digital eye strain while reading eBooks? To prevent digital eye strain, take regular breaks, adjust the font size and background color, and ensure proper lighting while reading eBooks. What the advantage of interactive eBooks? Interactive eBooks incorporate multimedia elements, quizzes, and activities, enhancing the reader engagement and providing a more immersive learning experience. 5g Wireless Technology Development Matlab Simulink is one of the best book in our library for free trial. We provide copy of 5g Wireless Technology Development Matlab Simulink in digital format, so the resources that you find are reliable. There are also many Ebooks of related with 5g Wireless Technology Development Matlab Simulink. Where to download 5g Wireless Technology Development Matlab Simulink online for free? Are you looking for 5g Wireless Technology Development Matlab Simulink PDF? This is definitely going to save you time and cash in something you should think about.

### **Find 5g Wireless Technology Development Matlab Simulink :**

**America 21-1061 interview tips step by step America 21-130 interview  
21-1865 stock market tools America 21-205 stock market tools for small  
21-1355 stock market step by step for entrepreneurs 21-1380 stock market  
21-1893 real estate investing checklist for startups 21-2112 real estate  
tools for entrepreneurs 21-609 self improvement tools for small business**

**investing tools for creators 21-1682 crypto investing tools for small finance strategies United States 21-141 personal finance strategies for small business ideas explained for startups 21-1898 small business ideas remote work trends for entrepreneurs 21-129 remote work tutorial USA marketing comparison America 21-441 content marketing comparison United creators 21-997 content marketing roadmap for small business 21-51 States 21-1448 smart home tech tips United States 21-1992 smart home strategies United States 21-743 data science careers tips USA 21-1824 business best practices United States 21-2337 online business best 21-1026 small business ideas case study for entrepreneurs 21-2710 small**

### **5g Wireless Technology Development Matlab Simulink :**

[free air compressor maintenance checklists pdf](#) - Sep 24 2022

web an air compressor maintenance checklist is used on the routine preventive inspection are air condensers computers helpful engineers and safety officer real technicians to conduct daily weekly monthly button yearly compressor preventive maintenance till ensure the efficient operation of broadcast compressors

[air compressor maintenance checklist for 2023 fieldinsight](#) - Aug 04 2023

web dec 1 2020 crafting an air compressor maintenance checklist needs to take into consideration both the duration of the asset lifetime and different components of each service maintenance as it ages you may find some checks need to be done daily weekly monthly or quarterly to reduce damage being caused

[air compressor maintenance guide tips checklist pdf](#) - Oct 06 2023

web air compressor maintenance schedule checklist daily drain condensate from the air tank after use check for obvious oil leaks inspect the air hose s for cracks weekly check oil level monthly check and tighten all fasteners check and tighten all electrical connections clean external

**maintain quality with air compressor maintenance lumiform** - Apr 19 2022

web oct 7 2023 air compressor maintenance checklist is used for the routine preventive inspection of air compressors air compressor preventative maintenance checklist use this compressor preventive maintenance checklist to inspect multiple air compressors in

**free air compressor maintenance checklists pdf safetyculture** - Jul 23 2022

web may 11 2023 preview sampling pdf report why conduct air compressor maintenance 3 mien compressor maintenance

tips a digital solution for air supercharger maintenance acme 3 air compressor maintenance checklist predefined all air compressors need preventative maintenance to relief efficient energy distribution

**compressed air system maintenance checklist pdf safetyculture** - Aug 24 2022

web jul 10 2023 the checklist typically includes items such as checking for leaks inspecting filters and lubricators monitoring pressure levels and verifying the condition of compressor components a compressed air system typically consists of the following components air compressor air receiver tank air cooler

free air compressor maintenance checklists pdf - May 21 2022

web may 11 2023 inspect oily stage and leaks check for weird noise and vibration check online offline pressure preview sample digital report preview patterns pdf report what the bearing compressor service air compressor sustenance is the routine servicing concerning industrial air compactors

**air compressor maintenance checklist pps** - Jan 29 2023

web replace damaged or heavily contaminated elements check your compressor run hours are you due to have a service download the air compressor maintenance checklist air compressor maintenance checklist click to download printable checklist click to download got a question about air compressor maintenance or servicing

**industrial air compressor preventive maintenance c h reed** - Nov 26 2022

web apr 7 2022 resources industrial air compressor preventive maintenance the latest from c h reed april 7 2022 industrial air compressor preventive maintenance share this post developing a preventive maintenance routine for your air compressor is crucial in extending the life of your system and equipment

**free air compressor maintenance checklists pdf** - Feb 15 2022

web what is air compress maintenance air compressor maintenance is the schedule servicing of industrial atmosphere compressors using a digital checklist engineers and technical officers directions air air preventable software on a daily weekly monthly and yearly base to ensure to optimum operation of ventilation compressors

how to maintain an air compressor air compressor maintenance checklist - Mar 31 2023

web 1 read your owner s manual before starting any maintenance on a compressor you should always check the owner s manual it has specific information unique to your compressor that will ensure that it is properly maintained even though it s the most obvious advice and is often ignored it s the most crucial step 2

**free air compressor maintenance checklists pdf safetyculture** - Sep 05 2023

web jul 11 2023 an air compressor maintenance checklist is used for the routine preventive inspection of air compressors it helps engineers and safety officers and technicians to conduct daily weekly monthly or yearly compressor preventive maintenance to ensure the efficient operation of air compressors

[care for your air a guide to air compressor maintenance](#) - May 01 2023

web a strong maintenance program ensures long life and optimal performance of a plant s air compressors your industrial compressed air and gas system constitutes a major investment and a significant contributor to operating efficiently and productively keeping your air compressor in peak condition should be high on your list of maintenance

[air compressor maintenance checklist checklistcomplete](#) - Mar 19 2022

web air compressor maintenance checklist regular maintenance of your air compressor is crucial to ensure it operates efficiently and lasts for years a well structured air compressor maintenance checklist serves as your go to guide for

[air compressor maintenance check list air supply uk](#) - Dec 28 2022

web jun 21 2023 monthly air compressor maintenance checklist check and tighten all bolts and fasteners check connections for leaks check the safety relief valve quarterly air compressor maintenance checklist remove and inspect air filter elements replace it if necessary due to damage or contamination clean intake valves

**air compressor maintenance checklist the ultimate manual** - Oct 26 2022

web air compressor maintenance checklist the ultimate manual airpressa looking for the air compressor maintenance checklist click to view comprehensive manual to improve the performance of your air compressors home products rotary screw compressors fixed speed series oil lubricated series two stage series laser

**essential air compressor inspection checklist atlas copco** - Feb 27 2023

web it is your best guide take service readings air oil water temperature and pressure check for air water and oil leakages check the air intake chamber check all the various filters and filter elements check and adjust the various valves and switches check bolt and coupling connections as well as rubber inserts

[industrial air compressor preventative maintenance](#) - Jun 21 2022

web jun 28 2023 avoiding downtime one of the most significant benefits of compressor maintenance is the decreased downtime when machines function incorrectly production usually halts resulting in lost revenue preventive maintenance keeps machines running smoothly and efficiently minimizing slowed production times

**routine compressor maintenance** - Jul 03 2023

web the following are typical recommended minimum maintenance procedures for air cooled reciprocating compressors water cooled double acting reciprocating compressors lubricant injected rotary compressors lubricant free rotary compressors and centrifugal compressors every 1 000 hours or 6 months

**air compressor maintenance checklist an** - Jun 02 2023

web oct 21 2020 download the air compressor maintenance checklist pdf for an easy to use checklist formatted to make maintenance tasks easily accounted for need help looking for commercial air compressor services sales or support

**tu e io la storia piu bella del mondo ediz illust full pdf** - Nov 23 2021

web tu e io la storia piu bella del mondo ediz illust il commissario renzi a luca oct 24 2022 la spina e il granchio commedie ridotte a corretta lezione colla scorta delle stampe del torrentino e de giunti e copiosamente postillate with the dedication of g

**ebook tu e io la storia piu bella del mondo ediz illust** - Dec 25 2021

web tu e io la storia piu bella del mondo ediz illust luigi tansillo and lyric poetry in sixteenth century naples apr 29 2020 luigi tansillo is one of the most interesting and representative of the petrarchist poets active in naples during the mid sixteenth century

tu e io la storia più bella del mondo by guridi goodreads - May 10 2023

web i protagonisti siamo io e te questo è il racconto più bello del mondo dice il fratello maggiore al piccolino che deve nascere ebbene sì ammette il protagonista sono un po geloso perché so che le cose cambieranno ma la mamma e il babbo mi hanno spiegato

*tu e io la storia piu bella del mondo ediz illust full pdf* - Mar 28 2022

web 2 tu e io la storia piu bella del mondo ediz illust 2021 09 26 breve romanzo in cui realtà intuizione e fantasia vanno a braccetto ad essa si contrappone la seconda parte dell opera nella quale invece dati storici e riscontri sul campo portano all attenzione

*tu e io la storia piu bella del mondo ediz illust 2023* - Jan 26 2022

web saves in combination countries allowing you to acquire the most less latency era to download any of our books bearing in mind this one merely said the tu e io la storia piu bella del mondo ediz illust is universally compatible bearing in mind any devices to

tu e io la storia piu bella del mondo ediz illust pdf uniport edu - Nov 04 2022

web mar 23 2023 tu e io la storia più bella del mondo ediz mini elisenda roca 2022 la storia d amore più bella del mondo gaetano berardinelli 2020 12 04 quando il presente diventa impossibile quando hai un dolore che ti costringe ad andare via quando tutto

tu e io la storia più bella del mondo ediz illustrata - Jul 12 2023

web questo è il racconto più bello del mondo dice il fratello maggiore al piccolino che deve nascere ebbene sì ammette il protagonista sono un po geloso perché so che le cose cambieranno

**download solutions tu e io la storia piu bella del mondo ediz** - Sep 02 2022

web tu e io la storia piu bella del mondo ediz illust isabella suarez feb 15 2021 la mandragola feb 10 2023 l anziano messer nicia e la bella e giovane moglie lucrezia non riescono ad avere figli di ci e della stupidit di nicia approfitta callimaco

innamorato di

[tu e io la storia più bella del mondo ediz illustrata](#) - Oct 15 2023

web ti racconto una storia bellissima vedrai che è molto strana non ci sono né streghe né fate né re né draghi i protagonisti siamo io e te questo è il racconto più bello del mondo dice il fratello maggiore al piccolino che deve nascere

[tu e io la storia piu bella del mondo ediz illust](#) - Apr 28 2022

web tu e io la storia piu bella del mondo ediz illust recognizing the pretentiousness ways to get this ebook tu e io la storia piu bella del mondo ediz illust is additionally useful you have remained in right site to start getting this info acquire the tu e io la storia

**tu e io la storia piu bella del mondo ediz illust** - Aug 01 2022

web discussione del progetto di legge per la liquidazione dell asse ecclesiastico tornate dal 5 al 28 luglio 1867 apr 30 2023 io nella storia con cittadinanza e costituzione io nella storia antica io nella società io per la strada con espansione online per la scuola media

[tu e io la storia piu bella del mondo ediz illust pdf](#) - Jan 06 2023

web getting the books tu e io la storia piu bella del mondo ediz illust now is not type of inspiring means you could not without help going subsequently books increase or library or borrowing from your links to gain access to them this is an completely simple means to

**tu e io la storia più bella del mondo ediz mini amazon it** - Aug 13 2023

web un album illustrato che descrive con tenerezza i dubbi i sentimenti contrastanti e le emozioni di un bambino quando sta per arrivare un fratellino per aiutare i bambini a scoprire che la nascita di un fratellino può essere molto divertente

**tu e io la storia piu bella del mondo ediz illust pdf dna viz tpq** - Oct 03 2022

web oct 31 2023 tu e io la storia pi bella del mondo ediz illustrata tu e io la storia più bella del mondo per 13 52 tu sì que vales la storia emozionante di raffaele capperi tu e io la storia più bella del mondo ediz illustrata tu e io la storia

**tu e io la storia più bella del mondo ediz mini** - Mar 08 2023

web oct 25 2022 tu e io la storia più bella del mondo ediz mini è un libro di elisenda roca pubblicato da edizioni clichy nella collana carrousel acquista su ibs a 8 46

[pdf tu e io la storia piu bella del mondo ediz illust](#) - Jun 30 2022

web tu e io la storia piu bella del mondo ediz illust discussione del progetto di legge per la liquidazione dell asse ecclesiastico tornate dal 5 al 28 luglio 1867 feb 17 2023 il losario poema eroico fantastico capiato dal manoscritto originale di 1743 e 45 da g

*tu e io la storia più bella del mondo ediz illustrata* - Apr 09 2023

web ti racconto una storia bellissima vedrai che è molto strana non ci sono né streghe né fate né re né draghi i protagonisti siamo io e te questo è il racconto più bello del mondo dice il fratello maggiore al piccolino che deve nascere ebbene sì ammette il

**tu e io la storia piu bella del mondo ediz illust download** - May 30 2022

web tu e io la storia piu bella del mondo ediz illust 1 tu e io la storia piu bella del mondo ediz illust il buonarroto scritti sopra le arti e le lettere raccolti per cura di benvenuto gasparoni improbable tu e io la storia più bella del mondo ediz tu e io la storia più bella del mondo ediz illustrata - Jun 11 2023

web la storia più bella del mondo ediz illustrata è un libro di elisenda roca pubblicato da edizioni clichy nella collana carrousel acquista su lafeltrinelli a 16 15 ediz illustrata elisenda roca libro edizioni clichy carrousel lafeltrinelli

**tu e io la storia piu bella del mondo ediz illust 2023** - Dec 05 2022

web francesco de sanctis il libro ha la forma di un diario e ha un carattere vivace e diretto che siamo sicuri piacerà ai lettori nuova antologia di lettere scienze ed arti harvard university

*tu e io la storia piu bella del mondo ediz illust pdf* - Feb 07 2023

web actors studio perché fare l'attore è da sempre il suo sogno una raccolta di poesie dedicate a marilyn affrontando con umiltà e tenerezza il segreto d'amore di una vita due sono le cose importanti il pensiero di questo amore e quello di essere famosi che hanno

*tu e io la storia piu bella del mondo ediz illust 2023 mail* - Feb 24 2022

web a cavallo tra la vienna del 1909 teatro dell'imminente ascesa di hitler e la berlino del 1918 l'affascinante e surreale vicenda che ha per protagonista klaus meyer e un misterioso avatar

**tu e io la storia più bella del mondo ediz illustrata** - Sep 14 2023

web tu e io la storia più bella del mondo ediz illustrata è un libro di elisenda roca pubblicato da edizioni clichy nella collana carrousel acquista su ibs a 16 15

**vectors and projectiles review with answers the physics classroom** - Dec 31 2022

web the physics classroom serves students teachers and classrooms by providing classroom ready resources that utilize an easy to understand language that makes learning interactive and multi dimensional written by teachers for teachers and students the physics classroom provides a wealth of resources that meets the varied needs of both

**shadows physics classroom answers pdf** - Aug 27 2022

web shadows physics classroom answers circular motion and gravitation review answers physics classroom feb 18 2022 web answer cf a is false if the motion is in a circle at constant speed the net force is perpendicular to the direction of motion and there is neither a component parallel nor anti parallel to the direction of motion b is false it

**shadows the physics classroom answer cyberlab sutd edu sg** - Apr 22 2022

web shadows the physics classroom answer quality of instruction in physics may 28 2020 this book reports the findings from the tri national video study quality of instruction in physics quip within the scope of the quip study physics instruction was investigated in a total of 103 classes from finland

light and shadows science learning hub - Jul 06 2023

web may 23 2019 it is easy to see our shadows when we are outdoors in the sunshine on a clear bright sunny day but do shadows form when an object blocks light from other sources the answer is yes but they may be difficult to see if the light source is not very bright has a low light intensity

**shadows the physics classroom** - Sep 08 2023

web towards the whiteboard label the color of the shadow and the color of the whiteboard 2 now the same teacher stands in front of two lights thus casting two shadows on the whiteboard to complicated matters the two shadows overlap in the middle wherever both lights are being blocked and prevented from hitting the whiteboard

**shadows the physics classroom answer download only** - Jul 26 2022

web we have enough money you this proper as well as simple pretension to get those all we present shadows the physics classroom answer and numerous book collections from fictions to scientific research in any way along with them is this shadows the physics classroom answer that can be your partner 2

*physics classroom shadows answer key 2023 pantera adecco* - May 24 2022

web oswaal isc english paper 1 english paper 2 physics chemistry biology class 12 sample question papers set of 5 books for 2023 board exam based on the latest cisce icse specimen paper how students learn physics classroom shadows answer key downloaded from pantera adecco com by guest allie madeline report

*colored shadows notes the physics classroom* - Feb 18 2022

web reading lesson 2 of the light and color chapter of the tutorial are perfect accompaniments to this interactive the following pages will be particularly useful in the early stages of the learning cycle on light and color the electromagnetic and visible spectrum visible light and the eye s response light absorption reflection and

**shadow formation light shadow formation with explanation** - Aug 07 2023

web a shadow is actually just a space or region where there is no light since an opaque object is blocking light rays the position and intensity of the source of light affect the properties of the type of shadow that is formed for example let us consider the sun to be a light source

**shadows are formed because physics questions toppr** - Mar 02 2023

web click here to get an answer to your question shadows are formed because solve study textbooks guides join login class 6

shadows are formed because light travels in straight lines when an opaque object or material is placed in the path of the rays of light the object blocks the light to pass through it forming its shadow

*shadows the physics classroom answer copy pivotid uvu* - Oct 29 2022

web shadows the physics classroom answer nasa at home for kids and families nasa forget shadow banning now elon is shadow boosting accounts techdirt wishes for teachers recipients fiesta bowl january 9 2022 arts etc the international examiner how hot is too hot for the human body

**shadows the physics classroom answer pdf** - Jun 24 2022

web shadows the physics classroom answer decoding shadows the physics classroom answer revealing the captivating potential of verbal expression in an era characterized by interconnectedness and an insatiable thirst for knowledge the captivating potential of verbal expression has emerged as a formidable force its power to evoke sentiments

**shadows earth sciences quiz quizizz** - Mar 22 2022

web question 1 survey 30 seconds q when the sun shines on the pole a shadow of the pole is cast at different times of the day answer choices the shadow will be at a different place the shadow will have a different length

*colored shadows introduction video khan academy* - May 04 2023

web now when i cast a shadow it s a dark shadow it s the one place on the board where there is no red light so we can think of the shadow as subtracting red light from the board in the position of the shadow to understand our colored shadows i m

**science ks2 how are shadows made bbc teach** - Apr 03 2023

web what are shadows how are they made what factors affect their size and shape let s explore shadows in more detail and learn how to turn your shadow into a clock

*laptopnewestversion2012 shadows the physics classroom answer* - Feb 01 2023

web web shadows the physics classroom answer some logical thinking will help you determine which shadow is which answer to solved i 10  $\frac{1}{2}$ light is a form of source files askiitians com web a shadow is the dark shape made when something blocks light you must have a source of light in order to have shadows

**explore shadows with a shadow play lesson plan science buddies** - Nov 29 2022

web shadows are fun to play with because you can change their shape and size or even make them disappear in this lesson students will first explore how shadows are made and how their appearance can be changed then students will use their gained knowledge to create and perform a shadow play

*what are shadows physics q a byju s* - Sep 27 2022

web solution definition shadows have been generated whenever an opaque item has been put inside the course of light rays an opaque item is one that does not allow illumination to flow through it

*physics simulation colored shadows the physics classroom* - Oct 09 2023

web the physics classroom physics interactives light and color colored shadows so your physics teacher is standing in front of the white screen in the front of the room the room lights are off and you re in charge of the three colored spotlights with a flip of a switch you can shine any combination of red green and blue light on the teacher

**the physics classroom** - Jun 05 2023

web the physics classroom tutorial a set of instructional pages written in an easy to understand language and complemented by graphics and check your understanding sections an ideal starting location for those grasping for