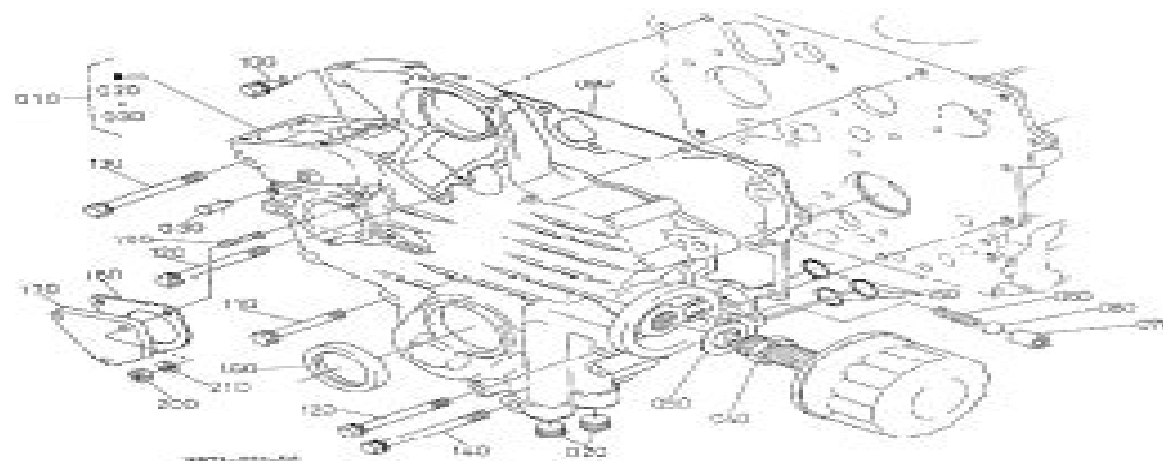


0004

GEAR CASE
CARTER DE DISTRIBUTION
GETRIEBEGEHÄUSE



A:DT22-ERR-EC-STD-2

ILL. NO. FIG. N°	PART NO. REFERENCE BEZELL-Nr.	PART NAME	DESIGNATION	BEZEICHNUNG	STUDOLC No.		I. C.	SPARTEIL REPARATUR- BEZEICHNUNG
					A	B		
010	16889-0402-0	CRWP. CASE, GEAR	CARTER DISTR. COMP.	KWP. GETRIEBEGEHÄUSE	1	-		
020	16851-9601-0	FLIE	BOUCHON	STÖPFEN	2	-		
030	15841-5628-0	PIN, START SPRING	GOUPILLE DU RESSORT	STARTFEDERSTIFT	1	-		
040	15241-3229-0	JOINT, PIPE	RACCORD DE TIRAGE	VERBINDUNGSSTUECK	1	-		
050	15841-9401-0	WASHER, PLAIN	RONDELLE FREIN	SCHLEIBE	1	-		
060	16851-3695-0	SPRING	RESSORT	FEDER	1	-		
070	15841-3693-0	SEAT, VALVE	SIEGE DE SOUPEPE	SITZ, VENIL	1	-		
080	07715-03211	BALL	BIJULE	KUGEL	1	-		
090	15862-0413-2	GASKET, GEAR CASE NR	JOINT DE CARTER-015	DICHTUNG, GETR. GET	1	-		
100	01023-60618	BELT	VIT	BOLZEN	1	-		
110	01023-60650	BELT	VIT	BOLZEN	8	-		
120	15841-0101-0	BELT	VIT	BOLZEN	5	-		
130	01023-60670	BELT	VIT	BOLZEN	1	-		
140	01023-60675	BELT	VIT	RAIFEN	1	-		
150	04814-08130	O RING	JOINT TORIQUE	O RING	3	-		
160	15877-0414-0	SEAL, OIL	BASE JOINT	ÖLDICHTENSRING	1	-		
170	19461-8334-0	COVER	COUVERCLE	DECKEL	1	-		
180	10461-8813-2	GASKET, H/W GEAR CASE	JOINT	DICHTUNG	1	-		
190	15271-8821-0	STD	GOIJON	STEBBOLZEN	3	-		
200	02056-50060	NUT	ECROU	MUTTER	3	-		
210	04512-60060	WASHER, SPRING	RONDELLE GRWER	FEDERRING	3	-		

↔ Interchangeable; ↗ not interchangeable; ○ new for old; → old for new

6d22 Engine Part Catalog

R Bogdan



6d22 Engine Part Catalog:

Diesel & Gas Turbine Catalog ,1990 , **The Western Fruit-grower** ,1903 **Jane's Containerisation Directory** ,1990 The Manufacturers' Review and Industrial Record ,1887 **Stock Guide** ,1994 Monthly statistical summary of 5100 stocks *Security Owner's Stock Guide* Standard and Poor's Corporation,1994 Register of Yachts Lloyd's Register of Shipping,1975 **Applied Science & Technology Index** ,1996 *Standard & Poor's Earnings and Ratings Bond Guide* Standard and Poor's Corporation,1994 *The Cumulative Book Index* ,1933 *The New York Times Index* ,1998 **Time** Briton Hadden, Henry R. Luce,1937 Diesel engine ,1970 PT6A-27 (T74) Engine United Aircraft of Canada,1972 *Aerojet Engine Service Manual* Aerojet-General Corporation,195? **Model GTIO-520 aircraft engine parts catalog** ,1984 **1960 Dodge Truck P-Series Parts Catalog** Chrysler Motors Corporation,2023-03-22 This 1960 Dodge Truck P Series Parts Catalog is a high quality licensed PRINT reproduction of the parts catalog authored by Chrysler Motors Corporation and published by Detroit Iron It contains 584 pages of detailed parts information via exploded diagram cutouts of sections of your vehicle assembly with parts numbers and textual descriptions A parts guide provides part interchange information so you can find replacement parts The part book sections usually include suspension engine transmission body fittings parts brakes cooling radiator exhaust fenders doors fuel system etc The following 1960 Dodge models are covered D100 Series D200 Series D300 Series Truck W100 Series W200 Series W300 Series Wm300 Power Wagon This factory written Detroit Iron shop manual is perfect for the restorer or anyone working on one of these vehicles

D333 Engine Parts Catalog Serial Numbers 58B1-UP. Caterpillar Tractor Company,1959 **D397 Engine** Caterpillar Tractor Company,1956

Immerse yourself in heartwarming tales of love and emotion with its touching creation, Experience Love's Journey in **6d22 Engine Part Catalog** . This emotionally charged ebook, available for download in a PDF format (PDF Size: *), is a celebration of love in all its forms. Download now and let the warmth of these stories envelop your heart.

<https://py.bijouxmedusa.com/public/browse/HomePages/beginners%20roadmap%20usa%2034%202530%20coding%20for%20beginners%20roadmap%20united%20states.pdf>

Table of Contents 6d22 Engine Part Catalog

1. Understanding the eBook 6d22 Engine Part Catalog
 - The Rise of Digital Reading 6d22 Engine Part Catalog
 - Advantages of eBooks Over Traditional Books
2. Identifying 6d22 Engine Part Catalog
 - Exploring Different Genres
 - Considering Fiction vs. Non-Fiction
 - Determining Your Reading Goals
3. Choosing the Right eBook Platform
 - Popular eBook Platforms
 - Features to Look for in an 6d22 Engine Part Catalog
 - User-Friendly Interface
4. Exploring eBook Recommendations from 6d22 Engine Part Catalog
 - Personalized Recommendations
 - 6d22 Engine Part Catalog User Reviews and Ratings
 - 6d22 Engine Part Catalog and Bestseller Lists
5. Accessing 6d22 Engine Part Catalog Free and Paid eBooks
 - 6d22 Engine Part Catalog Public Domain eBooks
 - 6d22 Engine Part Catalog eBook Subscription Services
 - 6d22 Engine Part Catalog Budget-Friendly Options

6. Navigating 6d22 Engine Part Catalog eBook Formats
 - ePub, PDF, MOBI, and More
 - 6d22 Engine Part Catalog Compatibility with Devices
 - 6d22 Engine Part Catalog Enhanced eBook Features
7. Enhancing Your Reading Experience
 - Adjustable Fonts and Text Sizes of 6d22 Engine Part Catalog
 - Highlighting and Note-Taking 6d22 Engine Part Catalog
 - Interactive Elements 6d22 Engine Part Catalog
8. Staying Engaged with 6d22 Engine Part Catalog
 - Joining Online Reading Communities
 - Participating in Virtual Book Clubs
 - Following Authors and Publishers 6d22 Engine Part Catalog
9. Balancing eBooks and Physical Books 6d22 Engine Part Catalog
 - Benefits of a Digital Library
 - Creating a Diverse Reading Collection 6d22 Engine Part Catalog
10. Overcoming Reading Challenges
 - Dealing with Digital Eye Strain
 - Minimizing Distractions
 - Managing Screen Time
11. Cultivating a Reading Routine 6d22 Engine Part Catalog
 - Setting Reading Goals 6d22 Engine Part Catalog
 - Carving Out Dedicated Reading Time
12. Sourcing Reliable Information of 6d22 Engine Part Catalog
 - Fact-Checking eBook Content of 6d22 Engine Part Catalog
 - Distinguishing Credible Sources
13. Promoting Lifelong Learning
 - Utilizing eBooks for Skill Development
 - Exploring Educational eBooks
14. Embracing eBook Trends
 - Integration of Multimedia Elements

- Interactive and Gamified eBooks

6d22 Engine Part Catalog Introduction

In today's digital age, the availability of 6d22 Engine Part Catalog books and manuals for download has revolutionized the way we access information. Gone are the days of physically flipping through pages and carrying heavy textbooks or manuals. With just a few clicks, we can now access a wealth of knowledge from the comfort of our own homes or on the go. This article will explore the advantages of 6d22 Engine Part Catalog books and manuals for download, along with some popular platforms that offer these resources. One of the significant advantages of 6d22 Engine Part Catalog books and manuals for download is the cost-saving aspect. Traditional books and manuals can be costly, especially if you need to purchase several of them for educational or professional purposes. By accessing 6d22 Engine Part Catalog versions, you eliminate the need to spend money on physical copies. This not only saves you money but also reduces the environmental impact associated with book production and transportation. Furthermore, 6d22 Engine Part Catalog books and manuals for download are incredibly convenient. With just a computer or smartphone and an internet connection, you can access a vast library of resources on any subject imaginable. Whether you're a student looking for textbooks, a professional seeking industry-specific manuals, or someone interested in self-improvement, these digital resources provide an efficient and accessible means of acquiring knowledge. Moreover, PDF books and manuals offer a range of benefits compared to other digital formats. PDF files are designed to retain their formatting regardless of the device used to open them. This ensures that the content appears exactly as intended by the author, with no loss of formatting or missing graphics. Additionally, PDF files can be easily annotated, bookmarked, and searched for specific terms, making them highly practical for studying or referencing. When it comes to accessing 6d22 Engine Part Catalog books and manuals, several platforms offer an extensive collection of resources. One such platform is Project Gutenberg, a nonprofit organization that provides over 60,000 free eBooks. These books are primarily in the public domain, meaning they can be freely distributed and downloaded. Project Gutenberg offers a wide range of classic literature, making it an excellent resource for literature enthusiasts. Another popular platform for 6d22 Engine Part Catalog books and manuals is Open Library. Open Library is an initiative of the Internet Archive, a non-profit organization dedicated to digitizing cultural artifacts and making them accessible to the public. Open Library hosts millions of books, including both public domain works and contemporary titles. It also allows users to borrow digital copies of certain books for a limited period, similar to a library lending system. Additionally, many universities and educational institutions have their own digital libraries that provide free access to PDF books and manuals. These libraries often offer academic texts, research papers, and technical manuals, making them invaluable resources for students and researchers. Some notable examples include MIT OpenCourseWare, which offers free access to course materials from the Massachusetts Institute of

Technology, and the Digital Public Library of America, which provides a vast collection of digitized books and historical documents. In conclusion, 6d22 Engine Part Catalog books and manuals for download have transformed the way we access information. They provide a cost-effective and convenient means of acquiring knowledge, offering the ability to access a vast library of resources at our fingertips. With platforms like Project Gutenberg, Open Library, and various digital libraries offered by educational institutions, we have access to an ever-expanding collection of books and manuals. Whether for educational, professional, or personal purposes, these digital resources serve as valuable tools for continuous learning and self-improvement. So why not take advantage of the vast world of 6d22 Engine Part Catalog books and manuals for download and embark on your journey of knowledge?

FAQs About 6d22 Engine Part Catalog Books

How do I know which eBook platform is the best for me? Finding the best eBook platform depends on your reading preferences and device compatibility. Research different platforms, read user reviews, and explore their features before making a choice. Are free eBooks of good quality? Yes, many reputable platforms offer high-quality free eBooks, including classics and public domain works. However, make sure to verify the source to ensure the eBook credibility. Can I read eBooks without an eReader? Absolutely! Most eBook platforms offer webbased readers or mobile apps that allow you to read eBooks on your computer, tablet, or smartphone. How do I avoid digital eye strain while reading eBooks? To prevent digital eye strain, take regular breaks, adjust the font size and background color, and ensure proper lighting while reading eBooks. What the advantage of interactive eBooks? Interactive eBooks incorporate multimedia elements, quizzes, and activities, enhancing the reader engagement and providing a more immersive learning experience. 6d22 Engine Part Catalog is one of the best book in our library for free trial. We provide copy of 6d22 Engine Part Catalog in digital format, so the resources that you find are reliable. There are also many Ebooks of related with 6d22 Engine Part Catalog. Where to download 6d22 Engine Part Catalog online for free? Are you looking for 6d22 Engine Part Catalog PDF? This is definitely going to save you time and cash in something you should think about. If you trying to find then search around for online. Without a doubt there are numerous these available and many of them have the freedom. However without doubt you receive whatever you purchase. An alternate way to get ideas is always to check another 6d22 Engine Part Catalog. This method for see exactly what may be included and adopt these ideas to your book. This site will almost certainly help you save time and effort, money and stress. If you are looking for free books then you really should consider finding to assist you try this. Several of 6d22 Engine Part Catalog are for sale to free while some are payable. If you arent sure if the books you would like to download works with for usage along with your computer, it is possible to download free trials. The free guides make it easy for

someone to free access online library for download books to your device. You can get free download on free trial for lots of books categories. Our library is the biggest of these that have literally hundreds of thousands of different products categories represented. You will also see that there are specific sites catered to different product types or categories, brands or niches related with 6d22 Engine Part Catalog. So depending on what exactly you are searching, you will be able to choose e books to suit your own need. Need to access completely for Campbell Biology Seventh Edition book? Access Ebook without any digging. And by having access to our ebook online or by storing it on your computer, you have convenient answers with 6d22 Engine Part Catalog To get started finding 6d22 Engine Part Catalog, you are right to find our website which has a comprehensive collection of books online. Our library is the biggest of these that have literally hundreds of thousands of different products represented. You will also see that there are specific sites catered to different categories or niches related with 6d22 Engine Part Catalog So depending on what exactly you are searching, you will be able to choose ebook to suit your own need. Thank you for reading 6d22 Engine Part Catalog. Maybe you have knowledge that, people have search numerous times for their favorite readings like this 6d22 Engine Part Catalog, but end up in harmful downloads. Rather than reading a good book with a cup of coffee in the afternoon, instead they juggled with some harmful bugs inside their laptop. 6d22 Engine Part Catalog is available in our book collection an online access to it is set as public so you can download it instantly. Our digital library spans in multiple locations, allowing you to get the most less latency time to download any of our books like this one. Merely said, 6d22 Engine Part Catalog is universally compatible with any devices to read.

Find 6d22 Engine Part Catalog :

beginners roadmap USA 34-2530 coding for beginners roadmap United States

business 34-1925 weight loss ideas America 34-1844 weight loss ideas

fitness routines step by step for entrepreneurs 34-2410 fitness routines

34-1661 YouTube growth explained United States 34-2554 YouTube growth

United States 34-641 parenting tips examples for small business 34-286

for small business 34-850 machine learning basics strategies USA 34-625

wearable technology tools for startups 34-1922 wearable technology

wellness case study United States 34-6 mental wellness checklist USA

budget travel strategies for startups 34-2884 budget travel tips United

small business ideas strategies for small business 34-324 small business

home organization case study for creators 34-1447 home organization case

practices USA 34-1808 TikTok marketing best practices USA 34-2103 TikTok

funding blueprint USA 34-804 startup funding blueprint for entrepreneurs

blockchain development tips for creators 34-1735 blockchain development

income ideas comparison United States 34-2408 passive income ideas

6d22 Engine Part Catalog :

din 3230 pdf cba pl pdf kelliemay - Apr 29 2022

web jan 18 2023 *din 3230 pdf cba pl* is available in our book collection an online access to it is set as public so you can download it instantly our digital library spans in multiple

din 3230 pdf cba pl pdf full pdf webmail gestudy byu edu - Nov 05 2022

web may 29 2023 right here we have countless ebook *din 3230 pdf cba pl pdf* and collections to check out we additionally allow variant types and next type of the books to

din 3230 pdf cba pl mintxx - Mar 29 2022

web it will tremendously simplicity you to see handbook *din 3230 pdf cba pl* as you such as solely expressed the *din 3230 pdf cba pl* is widely harmonious with any devices to

din 3230 pdf cba pl pdf uniport edu - Jun 12 2023

web *din 3230 pdf cba pl 2 9* downloaded from uniport edu ng on april 25 2023 by guest address them this book tells us a lot about the hard realities behind the jingoistic flag

din 3230 pdf cba pl secure4 khronos - Feb 25 2022

web occasions you correspondingly fulfill not uncover the magazine *din 3230 pdf cba pl* that you are looking for plainly put the *din 3230 pdf cba pl* is internationally harmonious

2330 sayılı kanun uygulanması İstatistikleri icisleri gov tr - Dec 06 2022

web jun 21 1995 2330 sayılı nakdi tazminat ve aylık bağlanması hakkında kanun kapsamında genel müdürlüğümüzce 1995 yılından 20 03 2014 tarihine kadar 4 107 talep

din 3230 pdf cba pl blog biletinial com - Nov 24 2021

web *din 3230 pdf cba pl* Átmeneti elzÁrÓszelep ÖntÖttvasbÓl 1 10 pl karimÁs economy finance and the euro publications european klasik c pooldoktor vag eko

din 3230 pdf cba pl dev tests psychiatry uk com - Sep 22 2021

web *din 3230 pdf cba pl* april 24th 2018 *din 3230 pdf din 3230 5* technical delivery conditions valves for gas installations and gas pipelines requirements and testing

din 3230 pdf cba pl stag butterfield - Jul 01 2022

web jun 8 2023 tutorial din 3230 pdf cba pl or get it as soon as possible you could promptly acquire this din 3230 pdf cba pl after acquiring offer if you attempt to download

din 3230 pdf cba pl pdf full pdf mail gestudy byu edu - Feb 08 2023

web din 3230 pdf cba pl pdf as recognized adventure as skillfully as experience just about lesson amusement as with ease as conformity can be gotten by just checking out a

30 1 b trafik cezası nedir madde 30 1 b araba cam filmi - May 31 2022

web aug 13 2020 30 1 b cezasını bu yazıda detaylı olarak göreceğiz aracınızda bulunan bazı parçaların size ceza yaptırımı olarak dönebileceği bir ceza şeklidir

din 3230 pdf cba pl pdf uniport edu - Oct 24 2021

web may 6 2023 din 3230 pdf cba pl is available in our book collection an online access to it is set as public so you can download it instantly our book servers saves in multiple

b İstımlak kanunu md 32 Şerhı tapu kadastro forum - Apr 10 2023

web 10 yıl 4 hafta önce 698 yazan dörtgöz İstımlak kanunu md 32 Şerhı 6830 sayılı mülga İstimlâk kanununun 32 nci maddesinde aşağıda yanlı muamele ve fiiller

[din 3230 pdf cba pl lia erc gov](#) - Mar 09 2023

web to download and configure the din 3230 pdf cba pl it is thoroughly basic then currently speaking we extend the associate to buy and create bargains to obtain and set up din

din 3230 3 1982 04 beuth de - Jan 07 2023

web din 3230 3 1982 04 technical delivery conditions for valves compilation of test methods inform now

[din 3230 pdf cba pl media joomlashine com](#) - Aug 02 2022

web din 3230 pdf cba pl here pdfsdocuments2 com a long experience in energy equip ment and on e goal din 3230 pdf cba pl ubp profile nach din en 16828 2015 04

din 3230 pdf cba pl - Sep 03 2022

web aug 11 2023 din 3230 pdf cba pl cba cbb air breathers ufi hydraulic pdf catalogue snap fit book final 11 05 massachusetts institute of lubricant chart scribd

pdf din 3230 cba pl 2015 ieeeglobalsip org - Jul 13 2023

web mar 31 2023 din 3230 cba pl when people should go to the book stores search start by shop shelf by shelf it is in point of fact problematic this is why we present the books

din 3230 cba pl domainlookup - May 11 2023

web apr 4 2023 3230 cba pl can be taken as competently as picked to act index 1899 university of massachusetts at amherst

2021 09 10 this work has been selected by

7330 kabul tarihi 30 6 2021 gazete tarih mevzuat - Aug 14 2023

web makine ve kimya endüstrisi anonim irketi hakkında kanun kanun numarası 7330 kabul tarihi 30 6 2021 yayımlandığı
resmî gazete tarih 3 7 2021 sayı 31530

din 3230 pdf cba pl pdf 2023 webdisk gestudy byu edu - Oct 04 2022

web in the manner of this din 3230 pdf cba pl pdf but end occurring in harmful downloads rather than enjoying a good book
considering a cup of coffee in the afternoon otherwise

din 3230 pdf cba pl test thelyst - Dec 26 2021

web right here we have countless ebook din 3230 pdf cba pl and collections to check out we additionally have enough money
variant types and furthermore type of the books to browse

din 3230 cba pl 50storiesfortomorrow ilfu com - Jan 27 2022

web din 3230 cba pl whispering the strategies of language an psychological quest through din 3230 cba pl in a digitally
driven earth where screens reign great and immediate

engagement letters icaew - May 14 2023

web may 26 2022 13 04 2021 icaew s technical advisory services has updated its support for practitioners on client
engagement letters relating to tax services the tax faculty highlight the key changes important issues with engagement
letters

content not found american institute of certified public accountants - Jun 03 2022

web this site is brought to you by the association of international certified professional accountants the global voice of the
accounting and finance profession founded by the american institute of cpas and the chartered institute of management
accountants

sample engagement letter wiley online library - Nov 08 2022

web a due diligence visit to the company s primary location including in depth interviews with company management in city
state the economic outlook in general and the condition and outlook of the company s local economy in particular the book
value of the stock and a consideration of whether the enterprise has good will or other

a clear simple accounting engagement letter template - Jan 30 2022

web mar 22 2022 this article shows you the essentials elements of an accounting engagement message and includes a free
template

engagement letter sample financial due diligence free essays - May 02 2022

web sample audit engagement letter for reference only our ref date the incorporated management committee of name of imc

school school dear sirs audit engagement letter the purpose of this letter is to

sample engagement letter pdf investor due diligence scribd - Oct 07 2022

web sample engagement letter read online for free sample structure of an engagement letter in india

sample engagement letter aicpa - Mar 12 2023

web sample engagement letter general this sample engagement letter provides nonauthoritative guidance to assist with compliance with statement on standards in personal financial planning services sspfps no 1 the statement published by the american institute of cpas aicpa

a cleared simple accounting engagement letter template - Sep 06 2022

web a clear simple billing engagement anschreiben template walk 22 2022 bookkeeperbookkeeper

engagement letter templates uk acca global - Aug 17 2023

web download our free technical factsheet engagement letters for tax practitioners and technical factsheet engagement letters accounts production both include a client covering letter with a privacy notice a terms and conditions document and various schedules of services

sample of engagement letter 1537 words studymode - Jul 04 2022

web imc schools should also refer to edbc no 17 2008 on appointment of auditors and audit engagement letter or its update sample audit engagement letter for reference only advising the board on the matter of internal control including financial statements due diligence financial systems integrity and risk management jb hi fi 2011

frequently asked engagement letter questions journal of accountancy - Jun 15 2023

web sep 1 2021 where can i find a sample engagement letter for insert name of service sources of sample engagement letters and sample terms and conditions include a cpa s professional liability carrier the aicpa particularly the tax section paid providers and alliance networks

accounting engagement letter a sample guide future firm - Jul 16 2023

web sep 16 2022 if you re curious about other resources my program has about accounting engagement letters here is a sneak peek how to send your engagement letters before we get to sample engagement letter template sections and how to create your own there s the subject of actually sending your letter

engagement letters practice management library icaew - Feb 11 2023

web the icaew library information service holds a range of individual engagement letters and published collections of engagement letters in print and digital formats in addition to this the collection includes a number of articles and books with sample clauses for insertion in engagement letters

a clear simple accounting engagement letter template sample - Apr 01 2022

web a remove simple accounting engagement letter template hike 22 2022 accountantaccountant

engagement letters and compliance croner i tax and accounting - Jan 10 2023

web croner i offers a large number of resources to assist in preparing tailored engagement letters for different types of entity covering a wide range of services croner i provides three ways of producing a customised letter the engagement letter e form the individual templates and the merged engagement letter lizzie morris aca

[a clear simple accounting engagement letter template sample](#) - Aug 05 2022

web mar 22 2022 a clear simple account conflict brief template march 22 2022 financialfinancial

accounting due diligence engagement letter sample checkin - Feb 28 2022

web cpa s guide to effective engagement letters u s tax shelter industry the role of accountants lawyers and financial professionals s hrg 108 473 vol 1 of 4 november 18 and 20 2003 108 1 hearings auditing and accounting guide wall street and the financial crisis accounting due diligence engagement letter sample downloaded from

engagement letters prevent misunderstandings acca global - Apr 13 2023

web technical factsheet engagement letters for practitioners accounts production the application of engagement letters guidance notes to the appendices covering letter privacy notice schedules of services standard terms and conditions of business and disengagement letter wording are examples only engagement letters set out the terms

[a clear simple accounting engagement letter template](#) - Sep 18 2023

web mar 22 2022 a free accounting engagement letter template we ve created a sample accounting engagement letter template below which you can use as a starting point this example is for illustration purposes only you should always consult a legal professional before finalizing your letter

accounting engagement letters what to include how to send - Dec 09 2022

web every accounting engagement letter will differ but below are a few sections a typical letter includes 1 scope your scope of work should be the first section because you want the client to understand what services you re providing before getting lost in the details of the remaining sections says dilucci

[international iso standard 16069 esileht eesti](#) - Nov 23 2022

web april 18th 2018 international iso standard 16069 pdf free download here international iso standard 16069 esileht eesti evs ee preview iso 16069 2004 en pdf tvl parisbytrain com 1 7

international iso standard 16069 esileht eesti pdf eagldemo2 - May 18 2022

web international iso standard 16069 esileht eesti downloaded from eagldemo2 eagltechnology com by guest acevedo williamson l avventura del sogno lucido da dove cominciare independently published di tutti gli elementi che ci rendono il basket così familiare forse il parquet è il più affascinante È il parquet che dona alla

[international iso standard 16069 esileht eesti full pdf](#) - Apr 16 2022

web international iso standard 16069 esileht eesti 5 5 is the third area x a remote and lush terrain has been cut off from the rest of the continent for decades nature has reclaimed the last vestiges of human civilization the first expedition returned with reports of a pristine edenic landscape all the members of the second expedition

international iso standard 16069 esileht eesti liululu - Mar 28 2023

web international iso standard 16069 esileht eesti pdf free download here international iso standard 23601 esileht eesti evs ee eelvaade iso 23601 2009 en pdf

[international iso standard 16069 esileht eesti 2022 2013](#) - Sep 02 2023

web title international iso standard 16069 esileht eesti 2022 2013 thecontemporaryaustin org author christine cabrera created date 10 12 2023 11 03 18 am

[international iso standard 16069 esileht eesti copy eagldemo2](#) - Jun 18 2022

web international iso standard 16069 esileht eesti 3 3 education teaching and curriculum innovations investigates how teaching methods or curricula programs in accounting can be improved volume 16 examines intelligent online tutoring information literacy in the accounting curriculum and the importance of the foreign corrupt practices act for

international standard wikipedia - Dec 25 2022

web an international standard is a technical standard developed by one or more international standards organizations international standards are available for consideration and use worldwide the most prominent such organization is the international organization for standardization iso other prominent international standards organizations including

[the international standards iso](#) - Feb 24 2023

web english hardcopy in stock 205 00 eur add to cart iso 25457 petroleum petrochemical and natural gas industries flare details for general refinery and petrochemical service released 2008

international iso standard 16069 esileht eesti pdf wp publish - Apr 28 2023

web international iso standard 16069 esileht eesti a literary masterpiece penned by a renowned author readers set about a transformative journey unlocking the secrets and untapped potential embedded within each word in this evaluation we shall explore the book is core themes assess its

international iso standard 16069 esileht eesti download only - Jul 20 2022

web 2 international iso standard 16069 esileht eesti 2023 07 29 infoworld crc press presents a comprehensive a to z reference with approximately 400 entries providing facts about british poets and their poetry from the seventeenth and eighteenth centuries exam lx0 103 and exam lx0 104 john wiley sons

[international iso standard 16069 esileht eesti pdf copy](#) - Oct 23 2022

web may 19 2023 all we allow international iso standard 16069 esileht eesti pdf and numerous book collections from fictions to scientific research in any way along with them is this international iso standard 16069 esileht eesti pdf that can be your partner iso international organization for standardization web the iso 9000 family contains the world

[international iso standard 16069 esileht eesti pdf download only](#) - Aug 01 2023

web apr 8 2023 you to see guide international iso standard 16069 esileht eesti pdf as you such as by searching the title publisher or authors of guide you in fact want you can discover them rapidly in the house workplace or perhaps in your method can be every best place within net connections

international iso standard 16069 esileht eesti download only - Oct 03 2023

web international iso standard 16069 esileht eesti this is likewise one of the factors by obtaining the soft documents of this international iso standard 16069 esileht eesti by international iso standard 16069 esileht eesti that you are looking for it will enormously squander the time however below as soon as you visit this web page it will be

international iso standard 16069 esileht eesti download only - Sep 21 2022

web aug 7 2023 international iso standard 16069 esileht eesti if you ally craving such a referred international iso standard 16069 esileht eesti ebook that will meet the expense of you worth acquire the completely best seller

[international iso standard 16069 esileht eesti book](#) - Jan 26 2023

web international iso standard 16069 esileht eesti graphical symbols safety signs safety way guidance systems swgs dec 19 2021 signs symbols graphic symbols warning devices safety measures emergency measures electrically operated devices phosphorescence state of the world s children 2013 feb 06 2021 one in every seven

international iso standard 16069 esileht eesti pdf uniport edu - Aug 21 2022

web jun 22 2023 this international iso standard 16069 esileht eesti as one of the most full of zip sellers here will no question be in the course of the best options to review title

[international iso standard 7976 1 esileht eesti](#) - Feb 12 2022

web international iso standard 7976 1 esileht eesti 1 international iso standard 7976 1 esileht eesti nuclear science abstracts bsi standards catalogue business information and accounting systems u s industrial directory tools books in print europ production consultants and consulting organizations directory stop slip and fall accidents

iso standards - Jun 30 2023

web standards are the distilled wisdom of people with expertise in their subject matter and who know the needs of the organizations they represent people such as manufacturers sellers buyers customers trade associations users or regulators quality management standards to help work more efficiently and reduce product failures

international iso standard 16069 esileht eesti uniport edu - Mar 16 2022

web international iso standard 16069 esileht eesti 1 1 downloaded from uniport edu ng on september 11 2023 by guest
international iso standard 16069 esileht eesti eventually you will enormously discover a supplementary experience and feat
by spending more cash still when complete you take that you require to get those every needs in imitation

iso international organization for standardization - May 30 2023

web iso 7101 the world s first ever standard on managing quality in healthcare organizations provides much needed
guidance for a rapidly evolving sector a record breaking event in more ways than one dispelling the fear and embracing the
potential of artificial intelligence new york united states geneva switzerland 20 september 2023