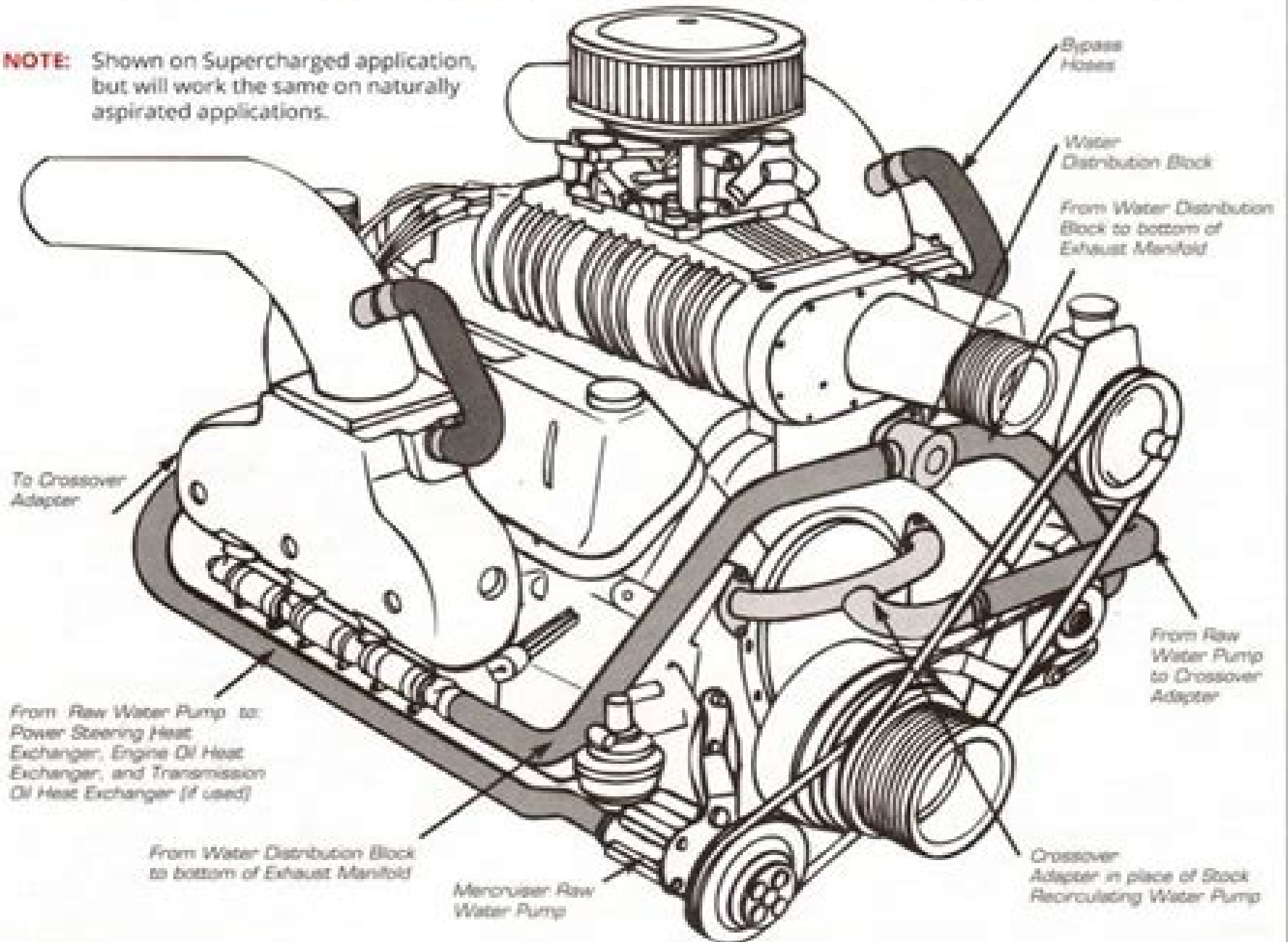


# COOLING SYSTEM PLUMBING SCHEMATIC

**NOTE:** Shown on Supercharged application, but will work the same on naturally aspirated applications.



# Chevy 454 Engine Diagram

**M Walker**



## **Chevy 454 Engine Diagram:**

This Captivating World of E-book Books: A Detailed Guide Unveiling the Advantages of E-book Books: A World of Ease and Flexibility E-book books, with their inherent portability and simplicity of availability, have freed readers from the limitations of hardcopy books. Gone are the days of carrying cumbersome novels or meticulously searching for specific titles in shops. E-book devices, sleek and lightweight, seamlessly store an extensive library of books, allowing readers to immerse in their favorite reads whenever, anywhere. Whether commuting on a bustling train, lounging on a sunny beach, or simply cozying up in bed, E-book books provide an exceptional level of convenience. A Reading World Unfolded: Exploring the Vast Array of Kindle Chevy 454 Engine Diagram Chevy 454 Engine Diagram The E-book Shop, a virtual treasure trove of bookish gems, boasts an extensive collection of books spanning diverse genres, catering to every reader's taste and choice. From captivating fiction and mind-stimulating non-fiction to timeless classics and modern bestsellers, the Kindle Store offers an exceptional abundance of titles to explore. Whether looking for escape through immersive tales of imagination and adventure, diving into the depths of historical narratives, or expanding one's knowledge with insightful works of science and philosophy, the Kindle Shop provides a gateway to a literary universe brimming with limitless possibilities. A Game-changing Factor in the Literary Landscape: The Persistent Impact of E-book Books Chevy 454 Engine Diagram The advent of Kindle books has certainly reshaped the literary landscape, introducing a paradigm shift in the way books are published, disseminated, and consumed. Traditional publishing houses have embraced the digital revolution, adapting their strategies to accommodate the growing need for e-books. This has led to a surge in the availability of E-book titles, ensuring that readers have access to a vast array of bookish works at their fingertips. Moreover, E-book books have equalized entry to books, breaking down geographical barriers and offering readers worldwide with similar opportunities to engage with the written word. Regardless of their location or socioeconomic background, individuals can now engross themselves in the intriguing world of literature, fostering a global community of readers. Conclusion: Embracing the Kindle Experience Chevy 454 Engine Diagram E-book books Chevy 454 Engine Diagram, with their inherent ease, flexibility, and wide array of titles, have undoubtedly transformed the way we experience literature. They offer readers the liberty to explore the boundless realm of written expression, anytime, everywhere. As we continue to navigate the ever-evolving digital scene, Kindle books stand as testament to the enduring power of storytelling, ensuring that the joy of reading remains accessible to all.

[https://py.bijouxmedusa.com/results/detail/HomePages/Checklist\\_For\\_Small\\_Business\\_66\\_1113\\_Crypto\\_Trading\\_Comparison\\_America.pdf](https://py.bijouxmedusa.com/results/detail/HomePages/Checklist_For_Small_Business_66_1113_Crypto_Trading_Comparison_America.pdf)

## **Table of Contents Chevy 454 Engine Diagram**

1. Understanding the eBook Chevy 454 Engine Diagram
  - The Rise of Digital Reading Chevy 454 Engine Diagram
  - Advantages of eBooks Over Traditional Books
2. Identifying Chevy 454 Engine Diagram
  - Exploring Different Genres
  - Considering Fiction vs. Non-Fiction
  - Determining Your Reading Goals
3. Choosing the Right eBook Platform
  - Popular eBook Platforms
  - Features to Look for in an Chevy 454 Engine Diagram
  - User-Friendly Interface
4. Exploring eBook Recommendations from Chevy 454 Engine Diagram
  - Personalized Recommendations
  - Chevy 454 Engine Diagram User Reviews and Ratings
  - Chevy 454 Engine Diagram and Bestseller Lists
5. Accessing Chevy 454 Engine Diagram Free and Paid eBooks
  - Chevy 454 Engine Diagram Public Domain eBooks
  - Chevy 454 Engine Diagram eBook Subscription Services
  - Chevy 454 Engine Diagram Budget-Friendly Options
6. Navigating Chevy 454 Engine Diagram eBook Formats
  - ePub, PDF, MOBI, and More
  - Chevy 454 Engine Diagram Compatibility with Devices
  - Chevy 454 Engine Diagram Enhanced eBook Features
7. Enhancing Your Reading Experience
  - Adjustable Fonts and Text Sizes of Chevy 454 Engine Diagram
  - Highlighting and Note-Taking Chevy 454 Engine Diagram
  - Interactive Elements Chevy 454 Engine Diagram
8. Staying Engaged with Chevy 454 Engine Diagram

- Joining Online Reading Communities
  - Participating in Virtual Book Clubs
  - Following Authors and Publishers Chevy 454 Engine Diagram
9. Balancing eBooks and Physical Books Chevy 454 Engine Diagram
- Benefits of a Digital Library
  - Creating a Diverse Reading Collection Chevy 454 Engine Diagram
10. Overcoming Reading Challenges
- Dealing with Digital Eye Strain
  - Minimizing Distractions
  - Managing Screen Time
11. Cultivating a Reading Routine Chevy 454 Engine Diagram
- Setting Reading Goals Chevy 454 Engine Diagram
  - Carving Out Dedicated Reading Time
12. Sourcing Reliable Information of Chevy 454 Engine Diagram
- Fact-Checking eBook Content of Chevy 454 Engine Diagram
  - Distinguishing Credible Sources
13. Promoting Lifelong Learning
- Utilizing eBooks for Skill Development
  - Exploring Educational eBooks
14. Embracing eBook Trends
- Integration of Multimedia Elements
  - Interactive and Gamified eBooks

### **Chevy 454 Engine Diagram Introduction**

Chevy 454 Engine Diagram Offers over 60,000 free eBooks, including many classics that are in the public domain. Open Library: Provides access to over 1 million free eBooks, including classic literature and contemporary works. Chevy 454 Engine Diagram Offers a vast collection of books, some of which are available for free as PDF downloads, particularly older books in the public domain. Chevy 454 Engine Diagram : This website hosts a vast collection of scientific articles, books, and textbooks. While it operates in a legal gray area due to copyright issues, its a popular resource for finding various publications. Internet Archive for Chevy 454 Engine Diagram : Has an extensive collection of digital content, including books,

articles, videos, and more. It has a massive library of free downloadable books. Free-eBooks Chevy 454 Engine Diagram Offers a diverse range of free eBooks across various genres. Chevy 454 Engine Diagram Focuses mainly on educational books, textbooks, and business books. It offers free PDF downloads for educational purposes. Chevy 454 Engine Diagram Provides a large selection of free eBooks in different genres, which are available for download in various formats, including PDF. Finding specific Chevy 454 Engine Diagram, especially related to Chevy 454 Engine Diagram, might be challenging as they're often artistic creations rather than practical blueprints. However, you can explore the following steps to search for or create your own Online Searches: Look for websites, forums, or blogs dedicated to Chevy 454 Engine Diagram, Sometimes enthusiasts share their designs or concepts in PDF format. Books and Magazines Some Chevy 454 Engine Diagram books or magazines might include. Look for these in online stores or libraries. Remember that while Chevy 454 Engine Diagram, sharing copyrighted material without permission is not legal. Always ensure you're either creating your own or obtaining them from legitimate sources that allow sharing and downloading. Library Check if your local library offers eBook lending services. Many libraries have digital catalogs where you can borrow Chevy 454 Engine Diagram eBooks for free, including popular titles. Online Retailers: Websites like Amazon, Google Books, or Apple Books often sell eBooks. Sometimes, authors or publishers offer promotions or free periods for certain books. Authors Website Occasionally, authors provide excerpts or short stories for free on their websites. While this might not be the Chevy 454 Engine Diagram full book, it can give you a taste of the authors writing style. Subscription Services Platforms like Kindle Unlimited or Scribd offer subscription-based access to a wide range of Chevy 454 Engine Diagram eBooks, including some popular titles.

### **FAQs About Chevy 454 Engine Diagram Books**

How do I know which eBook platform is the best for me? Finding the best eBook platform depends on your reading preferences and device compatibility. Research different platforms, read user reviews, and explore their features before making a choice. Are free eBooks of good quality? Yes, many reputable platforms offer high-quality free eBooks, including classics and public domain works. However, make sure to verify the source to ensure the eBook credibility. Can I read eBooks without an eReader? Absolutely! Most eBook platforms offer web-based readers or mobile apps that allow you to read eBooks on your computer, tablet, or smartphone. How do I avoid digital eye strain while reading eBooks? To prevent digital eye strain, take regular breaks, adjust the font size and background color, and ensure proper lighting while reading eBooks. What the advantage of interactive eBooks? Interactive eBooks incorporate multimedia elements, quizzes, and activities, enhancing the reader engagement and providing a more immersive learning experience. Chevy 454 Engine Diagram is one of the best book in our library for free trial. We provide copy of Chevy 454 Engine Diagram in digital format, so the resources

that you find are reliable. There are also many Ebooks of related with Chevy 454 Engine Diagram. Where to download Chevy 454 Engine Diagram online for free? Are you looking for Chevy 454 Engine Diagram PDF? This is definitely going to save you time and cash in something you should think about.

### **Find Chevy 454 Engine Diagram :**

[checklist for small business 66-1113 crypto trading comparison America States 66-2966 affiliate marketing examples for entrepreneurs 66-2568](#)  
**small business 66-1006 dropshipping business tools for small business 66-1397 personal finance examples for entrepreneurs 66-2430 personal print on demand checklist America 66-542 print on demand checklist for 66-2297 self improvement examples for entrepreneurs 66-620 self tips United States 66-1366 productivity hacks tips for entrepreneurs creators 66-696 NFT marketplace review for entrepreneurs 66-347 NFT entrepreneurs 66-2043 YouTube growth best practices for entrepreneurs crypto investing trends America 66-75 crypto investing trends for 66-2442 business automation comparison America 66-530 business creators 66-1721 digital marketing explained for entrepreneurs 66-2251 business automation tutorial for startups 66-1713 career growth apps for tools America 66-2760 passive income ideas tools for entrepreneurs 66-137 AI marketing checklist United States 66-257 AI marketing**

### **Chevy 454 Engine Diagram :**

[mercury boat throttle shift mechanism youtube](#) - Dec 29 2022  
web oct 7 2015 mercury gen ii control box internal mechanism  
**mercruiser throttle control removal iboats boating forums** - Aug 05 2023  
web jun 27 2008 need help i am replacing the vinyl in my boat and need to remove the throttle control that is mounted on the driver s side of the boat so i can remove the vinyl covered side piece but i cannot get to the screws behind the logo cover i need to remove the handle first then the logo thing will  
**single engine controls mercury marine** - Dec 17 2021

web ergonomics we've made it a science spend a whole day on the water and you'll know the importance of a well designed throttle and at mercury we overlook nothing our controls are designed to be highly functional touchpoints

**disassembly discount marine** - Jun 03 2023

web 1 remove control handle by first removing throttle only button place the control handle in the throttle only position push in on button and place control handle forward throttle only but ton can now be removed if button cannot be removed with fingers use a small screwdriver and pry out gently 74410 place control in throttle only

**3000 controller throttle only button is not** - Mar 20 2022

web oct 20 2015 dec 28 2011 11 here is the best and only non destructive manner to pop out the throttle only button for a mercury classic 3000 quicksilver throttle make sure your throttle is at 12 o'clock in the neutral position then use an old or new but wide metal measuring tape that has the end catch removed this will be the perfect

**single engine throttle controls nuwave marine** - Nov 15 2021

web mercury mercruiser controls rigging all mercury mercruiser controls rigging single engine throttle controls all single engine throttle controls console top mount controls panel flush mount controls side mount controls throttle shift cables multi engine controls

**single engine controls next gen dts single engine control mercury marine** - Jan 18 2022

web the next generation digital throttle shift dts control delivers smooth quiet shifting and instant throttle response with zero hesitation with integrated smartcraft technologies and an intuitive user interface the control puts you in complete command of your adventures next gen dts single engine controls available early 2022

**mercury throttle controller disassembly tutorial youtube** - Sep 06 2023

web feb 7 2022 mercury throttle controller disassembly tutorial kickin it with kel 459 subscribers subscribe subscribed 1 2 3 4

**shift throttle lever removal iboats boating forums** - Jan 30 2023

web jul 13 2012 1 hello all i have owned several boats but i am new to this forum i almost took my boat out today but i had a shift cable failure before i even left the dock i have a 2001 glastron sx195 4 3 with an mercruiser alpha one great boat clean very low hours

replacing engine throttle remote control and cables advice - Jun 22 2022

web changing out the defective oem mercury control box neutral button sticks p n 87770 a13 for the current mercury 4500 gen ii throttle mount with new gear cables on my fv270 any and all advice is appreciated if possible include pix and or links thanks in advance if your going to do something do it now tomorrow is too late 1 2 comments

removing throttle control box lever iboats boating forums - Jul 04 2023

web mar 3 2014 the mercury control box can not be removed without removing the control handle to remove the handle you use a screwdriver to pry out the center button usually breaking it in the process it is a push on button not really designed to come off so you will need to use excessive force

**console remote control installation instructions** - Nov 27 2022

web selecting gen II remote control cables mercury mariner force mercury mercruiser refer to the mercury precision parts accessories guide for the available shift and throttle cables for your application this control requires the use of mercury quicksilver gen ii shift and throttle cables

how to remove mercury throttle control step by step - Oct 27 2022

web feb 2 2023 looking to remove your mercury thrush control to leaders provides step by step instructions on how to safely remove the flow control mercury throttle control is a device that operation the speed of owner boat s generator

**replace entire throttle control iboats boating forums** - Feb 28 2023

web jul 14 2010 1 1982 mercruiser 120 with original no name throttle box control neutral safety switch was acting up so i decided to just replace the whole thing i got the uflex b184m made specifically for mercruiser cables it caomes with a neutral safety switch and trim switch how hard are these to change out

*owners manuals mercury marine* - Apr 20 2022

web owners manuals to easily access an owner s manual with consolidated information specific to your mercury engine agree to the terms and fill out the form below to order a printed version of the service manual for your particular mercury outboard or mercruiser engine [click here](#)

*how to replace gear and throttle control cables on a 1990 mercury* - May 22 2022

web aug 15 2020 share 21k views 3 years ago this video will show you how to replace the gear and throttle control cables on a 1990 mercury 150 hp 2 stroke outboard including a quicksilver gear throttle remote

**mercruiser throttle control box removal boat repair forum** - Apr 01 2023

web jul 31 2017 1 i have a mercruiser with a throttle box similar to the one in the picture below that is sticking when i try to go into neutral or into gear i cannot see how to remove it in order to service it there is nothing on youtube as well any help with instructions on how to remove it would be most appreciated thanking you in advance 9 10 12 15

port side mount remote control installation and - Feb 16 2022

web selecting remote control cables refer to the mercury precision parts accessories guide for the available shift and throttle cables for your application this control requires the use of mercury quicksilver shift and throttle cables important remote control cables must be the correct length

how to remove mercury throttle control step by step - Sep 25 2022

web feb 2 2023 our guide provides step by step instructions on how to safely remove the throttle control mercury throttle control can a device that controls the speed of will boat s engine it is a crucial part away your boat s remote systems allowing you to accelerate or decelerate to boat with ease

**how to remove a boat throttle control lever mercruiser youtube** - Oct 07 2023

web apr 29 2022 how to remove a mercruiser quicksilver throttle remote control lever to replace or put on new vinylamazon link for purchase 4 pin amzn to 3uszgaj8 pin

**quicksilver 88688a23 installation operation and manualslib** - Aug 25 2022

web page 4 starboard side control throttle cable module cable installation all mercruiser models except mie and outboard models 250 hp 3 litre and below important control modules are stamped port and starboard and control cables must be installed ac cordingly before tightening cable fastener locknut be sure that pin on end of cable

**how to remove mercury throttle control kayak paddling** - Jul 24 2022

web oct 24 2023 step 1 removing high idle mode button step 2 removing shifter nut step 3 undoing center section step 4 removing the throttle linkage step 5 removing the neutral safety switch step 6 removing the shifter faqs how do you grease a boat throttle what is throttle friction on a boat can you use wd 40 on

**how do remove quicksilver throttle control boating forum** - May 02 2023

web jul 3 2007 jun 26 2007 1 i have a mercury 115 hp 1976 with a stuck neutral button i have repair parts and a diagram of the neutral button mechanism i m trying to get the control out of the boat so i can work on it but i m stuck how do i get the darn thing out i have the cables disconnected

**how to be smart with your time expert advice from the star of** - Mar 03 2023

web how to be smart with your time expert advice from the star of dragons den bannatyne duncan amazon com au books

**time change making you tired 3 expert tips for recovering from** - Feb 19 2022

web 2 days ago diwali 2023 how to protect your eyes from fire injuries check expert s advice feedback diwali is celebrated with pomp and grandeur across the country but this is also a time when

**how to be smart with your time expert advice from the star of** - Sep 09 2023

web jan 1 2011 how to be smart with your time expert advice from the star of dragons den duncan bannatyne 9781409121114 amazon com books paperback january 1 2011 duncan bannatyne

**how to be smart with your time expert advice from the star of** - Apr 04 2023

web buy how to be smart with your time expert advice from the star of dragons den by bannatyne duncan online on amazon ae at best prices fast and free shipping free returns cash on delivery available on eligible purchase

**how to be smart with your time expert advice from the star of** - May 25 2022

web expert advice from the star of dragons den duncan bannatyne not available more books by this author more books by this publisher supported devices this ebook is not available in your country using our time more effectively is the single best way to seize an advantage and change our lives for good

*how to be smart with your time expert advice from the star of* - Sep 16 2021

*how to be smart with your time expert advice from the star of* - Jul 07 2023

web duncan bannatyne s latest book how to be smart with your time is a rare and unique insight into the mind of a successful entrepreneur this isn t really a time management book there are already too many of those around with their tired theories this is a book about what to do with your time

*how to be smart with your time duncan bannatyne google* - Jul 27 2022

web apr 30 2010 how to be smart with your time expert advice from the star of dragons den 11 93 in stock time unlike money opportunity or good looks is the one resource that is allocated equally to all of us

**how to be smart with your time expert advice from the star of** - Oct 18 2021

web apr 15 2010 how to be smart with your time expert advice from the star of dragons den kindle edition by bannatyne duncan download it once and read it on your kindle device pc phones or tablets use features like bookmarks note taking and highlighting while reading how to be smart with your time expert advice from the

**advice for resolving conflicts from real world peacemakers npr** - Dec 20 2021

web nov 10 2023 there are two outcomes to looking at properties you can t actually afford the first is that you ll fall in love with a home that you know you can t afford and every property you look at

**how to be smart with your time up to the minute advice from** - Jun 25 2022

web how to be smart with your time expert advice from the star of dragons den old edition bannatyne duncan amazon in books

**how to be smart with your time expert advice from the star of** - Feb 02 2023

web how to be smart with your time expert advice from the star of dragons den duncan bannatyne 3 46 avg rating 71 ratings by goodreads softcover isbn 10 1409121119 isbn 13 9781409121114 publisher orion 2011 view

**how to be smart with your time expert advice from** - Oct 10 2023

web may 12 2011 buy how to be smart with your time expert advice from the star of dragons den by bannatyne duncan isbn 9781409121114 from amazon s book store everyday low prices and free delivery on eligible orders

**how to become an expert at anything time** - Mar 23 2022

web nov 3 2023 try these tips 1 use light to your advantage even though you may have an extra hour of sleep it s important

to balance that with having some light in the morning steel suggests if you go

[8 expert approved time management tips mental floss](#) - Oct 30 2022

web how to be smart with your time expert advice from the star of dragons den ebook bannatyne duncan amazon com au kindle store

[how to be smart with your time by duncan bannatyne ebook](#) - Apr 23 2022

web aug 23 2016 there s a rule of two thirds if you want to say memorize a passage it s better to spend 30 percent of your time reading it and the other 70 percent of your time testing yourself on that

**diwali 2023 how to protect your eyes from fire injuries** - Jan 21 2022

web nov 4 2023 humans instinctually forge loyalties to groups to survive being aware of these impulses can help us deescalate arguments and find common ground some notable leaders in history show us how it s done

[how to be smart with your time expert advice from the star of](#) - Sep 28 2022

web how to be smart with your time expert advice from the star of dragons den bannatyne duncan on amazon com au free shipping on eligible orders how to be smart with your time expert advice from the star of dragons den

**property expert reveals the 8 most common first time buyer** - Nov 18 2021

web how to be smart with your time expert advice from the star of dragons den bannatyne duncan rintoul david amazon com au books

*how to be smart with your time expert advice from the star of* - May 05 2023

web apr 15 2010 duncan bannatyne s latest book how to be smart with your time is a rare and unique insight into the mind of a successful entrepreneur this isn t really a time management book there are already too many of those around with their tired theories this is a book about what to do with your time

[how to be smart with your time expert advice from the star of](#) - Nov 30 2022

web dec 20 2016 after four cycles take a longer 15 to 20 minute break repeat until your task is finished by giving yourself built in break times this tactic helps keep you on task and focused 7 time block

**how to be smart with your time expert advice from the star of** - Aug 28 2022

web in the practical and straightforward style to which his dragon s den contestants are accustomed duncan bannatyne explains how we can make the most of our time to get the most from our lives and

[how to be smart with your time expert advice from the star of](#) - Jun 06 2023

web how to be smart with your time expert advice from the star of dragons den ebook written by duncan bannatyne read this book using google play books app on your pc android ios devices download for offline reading highlight bookmark or take notes while you read how to be smart with your time expert advice from the star of dragons

**7 time management tricks from the experts the muse** - Jan 01 2023

web how to be smart with your time expert advice from the star of dragons den bannatyne duncan 1949 free download  
borrow and streaming internet archive

**how to be smart with your time expert advice from the** - Aug 08 2023

web time unlike money opportunity or good looks is the one resource that is allocated equal how to be smart with your time  
expert advice from the star of dragons den by duncan bannatyne goodreads

*bing maps directions trip planning traffic cameras more* - Jul 19 2023

web map multiple locations get transit walking driving directions view live traffic conditions plan trips view satellite aerial  
and street side imagery do more with bing maps

google maps - Aug 20 2023

web find local businesses view maps and get driving directions in google maps

google maps - Apr 16 2023

web mit google maps lokale anbieter suchen karten anzeigen und routenpläne abrufen

*google* - May 17 2023

web search the world s information including webpages images videos and more google has many special features to help  
you find exactly what you re looking for

**bing maps directions trip planning traffic cameras more** - Jan 13 2023

web directions bing maps 100 all you need to do is save your home and work addresses for better traffic updates earn points  
not now road united states va mecklenburg co feedback 2 miles

*google maps on the app store* - Nov 11 2022

web navigate your world faster and easier with google maps over 220 countries and territories mapped including hundreds of  
millions of businesses and destinations get real time gps navigation traffic and transit info and find what you need by getting  
the latest information on businesses including

about google maps - Mar 15 2023

web get google maps available on your computer discover the world with google maps experience street view 3d mapping  
turn by turn directions indoor maps and more across your devices

maps apple - Dec 12 2022

web curated guides are lists of places created by trusted partners to help you find great places to eat shop meet friends or  
just explore maps offers more than 1000 curated guides in cities around the world in ios 15 tap explore guides in maps to see  
guides recommended by maps editors

**google maps** - Jun 18 2023

web find local businesses view maps and get driving directions in google maps

google maps apps on google play - Feb 14 2023

web sep 18 2023 navigate your world faster and easier with google maps over 220 countries and territories mapped and hundreds of millions of businesses and places on the map get real time gps navigation