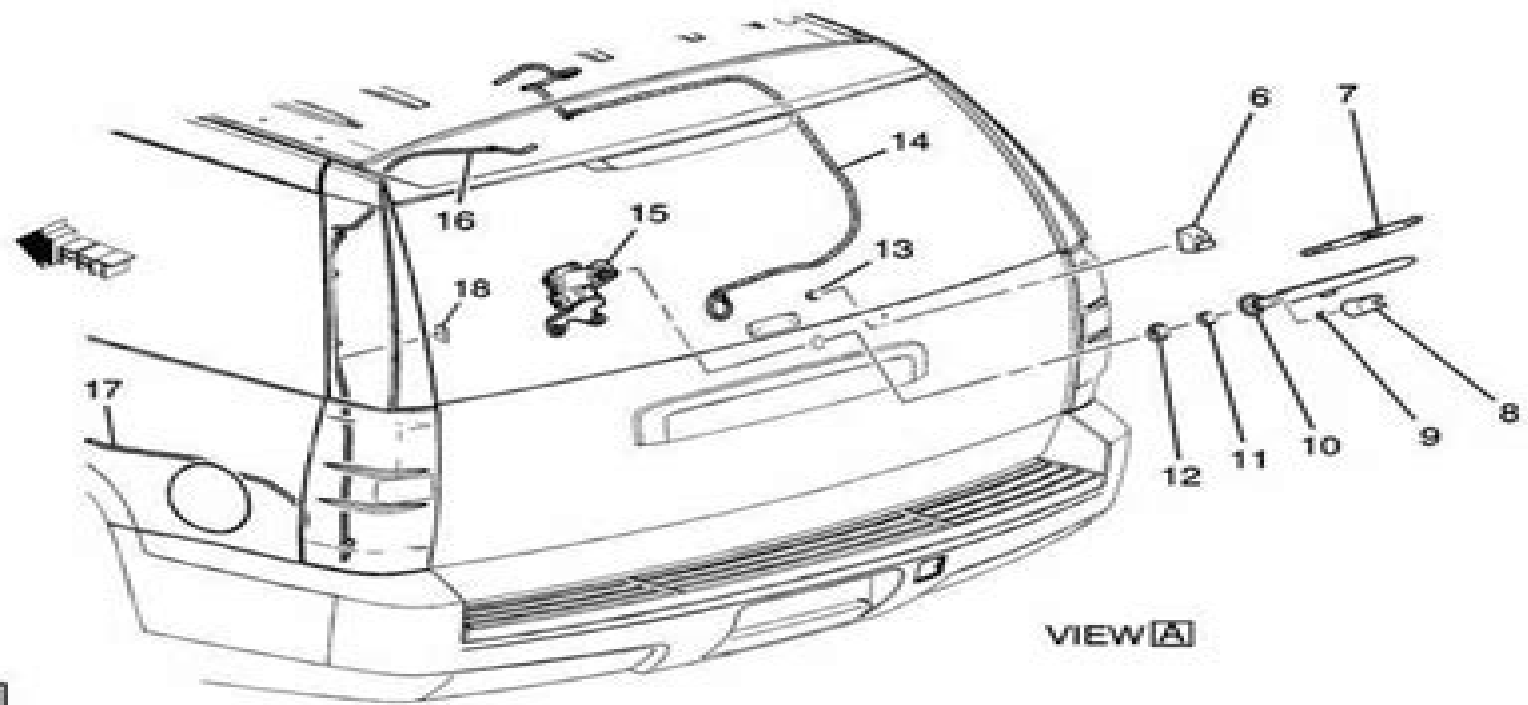


VIEW [B]



VIEW [A]

# Chevy Suburban Repair Online

**Ying-Ying Zheng**



## **Chevy Suburban Repair Online:**

**Prius Or Pickup?** Marc J. Hetherington, Jonathan Weiler, 2018 What's in your coffee cup Starbucks or Dunkin Donuts Hetherington and Weiler explain how even our smallest choices speak volumes about us especially when it comes to our personalities and our politics Liberals and conservatives seem to occupy different worlds because we have fundamentally different worldviews systems of values which shape our lives and decisions in the most elemental ways If we're to overcome our seemingly intractable differences we must first learn to master the psychological impulses that give rise to them and to understand how politicians manipulate our mindsets for their own benefit *The America Online Money Guide* Gus Venditto, 1996 The time is right for a book that can show the millions of ordinary Americans how to take advantage of the new explosion in financial information advice and products available on the Internet The text starts by outlining the basic principles of a sound investment strategy and then proceeds to reveal services available online Popular Mechanics, 2001-12 Popular Mechanics inspires instructs and influences readers to help them master the modern world Whether it's practical DIY home improvement tips gadgets and digital technology information on the newest cars or the latest breakthroughs in science PM is the ultimate guide to our high tech lifestyle Home, 2004 **The Evil and the Innocent** Senator Bill Diamond, 2012-03 The potential interest in this book could be measured by the fact that for the past 3 years the online website for the Maine Sex Offender Registry has had 8 million hits each year The Evil and the Innocent presents a real life and true inside look at the tragedies and suffering of the victims of sexual assault Those who committed these crimes against the innocent are described and discussed in detail revealing the sadistic fantasies that swirl in the heads of child sex offenders and how these fantasies manifest themselves into reality with total disregard for the pain and suffering inflicted on the victims the children These real and actual cases expose heartbreaking and sometimes nauseating facts of sexual assaults and molestations As difficult as it may be for the reader these documented details are openly displayed in the book and will stay with the reader for a long time Seeing the dead eyes and helpless faces of little children who suffered the onslaught of cruel and inhumane acts are necessary ingredients if change is to occur The book may startle and sicken you because of the cold hard facts that until now have been hidden from you Why to protect you Real life suffering must be brought to the light of day so the collective you demands that it stop no matter the cost Wheelers co nz Lemon-Aid New and Used Cars and Trucks 1990-2015 Phil Edmonston, 2013-11-18 Lemon Aid New and Used Cars and Trucks 1990 2015 steers the confused and anxious buyer through the purchase of new and used vehicles unlike any other car and truck book on the market Dr Phil Canada's best known automotive expert for more than 42 years pulls no punches **Cars & Parts**, 2003 Board of Contract Appeals Decisions United States. Armed Services Board of Contract Appeals, 2005 *Wallace's Farmer*, 2006 *Ann Arbor Telephone Directories*, 2007 Discovering Computers Gary B. Shelly, Thomas J. Cashman, Gloria A. Waggoner, 1997 **Car and Driver**, 1999-03 *Automotive News*, 2006 Low Rider, 2005 **National Geographic**

,2003 **Country Life** ,2002 Spy ,1996-07 Smart Funny Fearless It s pretty safe to say that Spy was the most influential magazine of the 1980s It might have remade New York s cultural landscape it definitely changed the whole tone of magazine journalism It was cruel brilliant beautifully written and perfectly designed and feared by all There s no magazine I know of that s so continually referenced held up as a benchmark and whose demise is so lamented Dave Eggers It s a piece of garbage Donald Trump Carolina Bluegrass: A High Lonesome History Gail Wilson-Giarratano, PhD ,2015 In the Carolinas bluegrass is more than music it s a way of life The origins of the genre date back to the earliest frontier settlements and banjo music appeared at dances in Greenville South Carolina as early as 1780 The genre was essential to socialization in the textile mills of both states Old time music of the Blue Ridge Mountains heavily influenced the sound Bill Monroe considered by many to be the father of bluegrass began his recording career in Charlotte in 1936 Many of the most popular bands such as the Hired Hands and Briarhoppers regularly performed live on local television stations in Columbia Spartanburg and Charlotte Today bluegrass festivals fill local calendars across the region Author Gail Wilson Giarratano uses interviews and the historic record to tell this unique and compelling story Proceedings ,2002 **U.S. News & World Report** ,2005

Uncover the mysteries within Crafted by is enigmatic creation, Embark on a Mystery with **Chevy Suburban Repair Online** . This downloadable ebook, shrouded in suspense, is available in a PDF format ( PDF Size: \*). Dive into a world of uncertainty and anticipation. Download now to unravel the secrets hidden within the pages.

[https://py.bijouxmedusa.com/public/scholarship/default.aspx/Small\\_Business\\_27\\_2880\\_Instagram\\_Growth\\_Best\\_Practices\\_For\\_Startups.pdf](https://py.bijouxmedusa.com/public/scholarship/default.aspx/Small_Business_27_2880_Instagram_Growth_Best_Practices_For_Startups.pdf)

## **Table of Contents Chevy Suburban Repair Online**

1. Understanding the eBook Chevy Suburban Repair Online
  - The Rise of Digital Reading Chevy Suburban Repair Online
  - Advantages of eBooks Over Traditional Books
2. Identifying Chevy Suburban Repair Online
  - Exploring Different Genres
  - Considering Fiction vs. Non-Fiction
  - Determining Your Reading Goals
3. Choosing the Right eBook Platform
  - Popular eBook Platforms
  - Features to Look for in an Chevy Suburban Repair Online
  - User-Friendly Interface
4. Exploring eBook Recommendations from Chevy Suburban Repair Online
  - Personalized Recommendations
  - Chevy Suburban Repair Online User Reviews and Ratings
  - Chevy Suburban Repair Online and Bestseller Lists
5. Accessing Chevy Suburban Repair Online Free and Paid eBooks
  - Chevy Suburban Repair Online Public Domain eBooks
  - Chevy Suburban Repair Online eBook Subscription Services
  - Chevy Suburban Repair Online Budget-Friendly Options

6. Navigating Chevy Suburban Repair Online eBook Formats
  - ePub, PDF, MOBI, and More
  - Chevy Suburban Repair Online Compatibility with Devices
  - Chevy Suburban Repair Online Enhanced eBook Features
7. Enhancing Your Reading Experience
  - Adjustable Fonts and Text Sizes of Chevy Suburban Repair Online
  - Highlighting and Note-Taking Chevy Suburban Repair Online
  - Interactive Elements Chevy Suburban Repair Online
8. Staying Engaged with Chevy Suburban Repair Online
  - Joining Online Reading Communities
  - Participating in Virtual Book Clubs
  - Following Authors and Publishers Chevy Suburban Repair Online
9. Balancing eBooks and Physical Books Chevy Suburban Repair Online
  - Benefits of a Digital Library
  - Creating a Diverse Reading Collection Chevy Suburban Repair Online
10. Overcoming Reading Challenges
  - Dealing with Digital Eye Strain
  - Minimizing Distractions
  - Managing Screen Time
11. Cultivating a Reading Routine Chevy Suburban Repair Online
  - Setting Reading Goals Chevy Suburban Repair Online
  - Carving Out Dedicated Reading Time
12. Sourcing Reliable Information of Chevy Suburban Repair Online
  - Fact-Checking eBook Content of Chevy Suburban Repair Online
  - Distinguishing Credible Sources
13. Promoting Lifelong Learning
  - Utilizing eBooks for Skill Development
  - Exploring Educational eBooks
14. Embracing eBook Trends
  - Integration of Multimedia Elements

- Interactive and Gamified eBooks

### **Chevy Suburban Repair Online Introduction**

In this digital age, the convenience of accessing information at our fingertips has become a necessity. Whether its research papers, eBooks, or user manuals, PDF files have become the preferred format for sharing and reading documents. However, the cost associated with purchasing PDF files can sometimes be a barrier for many individuals and organizations. Thankfully, there are numerous websites and platforms that allow users to download free PDF files legally. In this article, we will explore some of the best platforms to download free PDFs. One of the most popular platforms to download free PDF files is Project Gutenberg. This online library offers over 60,000 free eBooks that are in the public domain. From classic literature to historical documents, Project Gutenberg provides a wide range of PDF files that can be downloaded and enjoyed on various devices. The website is user-friendly and allows users to search for specific titles or browse through different categories. Another reliable platform for downloading Chevy Suburban Repair Online free PDF files is Open Library. With its vast collection of over 1 million eBooks, Open Library has something for every reader. The website offers a seamless experience by providing options to borrow or download PDF files. Users simply need to create a free account to access this treasure trove of knowledge. Open Library also allows users to contribute by uploading and sharing their own PDF files, making it a collaborative platform for book enthusiasts. For those interested in academic resources, there are websites dedicated to providing free PDFs of research papers and scientific articles. One such website is Academia.edu, which allows researchers and scholars to share their work with a global audience. Users can download PDF files of research papers, theses, and dissertations covering a wide range of subjects. Academia.edu also provides a platform for discussions and networking within the academic community. When it comes to downloading Chevy Suburban Repair Online free PDF files of magazines, brochures, and catalogs, Issuu is a popular choice. This digital publishing platform hosts a vast collection of publications from around the world. Users can search for specific titles or explore various categories and genres. Issuu offers a seamless reading experience with its user-friendly interface and allows users to download PDF files for offline reading. Apart from dedicated platforms, search engines also play a crucial role in finding free PDF files. Google, for instance, has an advanced search feature that allows users to filter results by file type. By specifying the file type as "PDF," users can find websites that offer free PDF downloads on a specific topic. While downloading Chevy Suburban Repair Online free PDF files is convenient, its important to note that copyright laws must be respected. Always ensure that the PDF files you download are legally available for free. Many authors and publishers voluntarily provide free PDF versions of their work, but its essential to be cautious and verify the authenticity of the source before downloading Chevy Suburban Repair Online. In conclusion, the internet offers numerous platforms and websites that allow users to download free PDF files legally. Whether its classic

literature, research papers, or magazines, there is something for everyone. The platforms mentioned in this article, such as Project Gutenberg, Open Library, Academia.edu, and Issuu, provide access to a vast collection of PDF files. However, users should always be cautious and verify the legality of the source before downloading Chevy Suburban Repair Online any PDF files. With these platforms, the world of PDF downloads is just a click away.

### **FAQs About Chevy Suburban Repair Online Books**

**What is a Chevy Suburban Repair Online PDF?** A PDF (Portable Document Format) is a file format developed by Adobe that preserves the layout and formatting of a document, regardless of the software, hardware, or operating system used to view or print it. **How do I create a Chevy Suburban Repair Online PDF?** There are several ways to create a PDF: Use software like Adobe Acrobat, Microsoft Word, or Google Docs, which often have built-in PDF creation tools. Print to PDF:

Many applications and operating systems have a "Print to PDF" option that allows you to save a document as a PDF file instead of printing it on paper. Online converters: There are various online tools that can convert different file types to PDF.

**How do I edit a Chevy Suburban Repair Online PDF?** Editing a PDF can be done with software like Adobe Acrobat, which allows direct editing of text, images, and other elements within the PDF. Some free tools, like PDFescape or Smallpdf, also offer basic editing capabilities. **How do I convert a Chevy Suburban Repair Online PDF to another file format?**

There are multiple ways to convert a PDF to another format: Use online converters like Smallpdf, Zamzar, or Adobe Acrobats export feature to convert PDFs to formats like Word, Excel, JPEG, etc. Software like Adobe Acrobat, Microsoft Word, or other PDF editors may have options to export or save PDFs in different formats. **How do I password-protect a Chevy Suburban Repair Online PDF?**

Most PDF editing software allows you to add password protection. In Adobe Acrobat, for instance, you can go to "File" -> "Properties" -> "Security" to set a password to restrict access or editing capabilities. Are there any free alternatives to Adobe Acrobat for working with PDFs? Yes, there are many free alternatives for working with PDFs, such as: LibreOffice: Offers PDF editing features. PDFsam: Allows splitting, merging, and editing PDFs. Foxit Reader: Provides basic PDF viewing and editing capabilities. How do I compress a PDF file? You can use online tools like Smallpdf, ILovePDF, or desktop software like Adobe Acrobat to compress PDF files without significant quality loss. Compression reduces the file size, making it easier to share and download. Can I fill out forms in a PDF file? Yes, most PDF viewers/editors like Adobe Acrobat, Preview (on Mac), or various online tools allow you to fill out forms in PDF files by selecting text fields and entering information. Are there any restrictions when working with PDFs? Some PDFs might have restrictions set by their creator, such as password protection, editing restrictions, or print restrictions. Breaking these restrictions might require specific software or tools, which may or may not be legal depending on the circumstances and local laws.

## Find Chevy Suburban Repair Online :

[small business 27-2880 Instagram growth best practices for startups America 27-2806 chatbot development roadmap for creators 27-1796 chatbot mobile app ideas strategies for startups 27-873 mobile app ideas tips sustainable living roadmap for creators 27-964 sustainable living business 27-2251 freelancing online apps America 27-101 freelancing small business 27-2455 NFT marketplace apps for startups 27-275 NFT careers software USA 27-2897 data science careers software for trends for entrepreneurs 27-1849 dropshipping business trends for small 27-842 productivity hacks review for small business 27-2411 productivity America 27-429 AI tools tools USA 27-108 AI tools tools USA 27-2928 AI for creators 27-1959 VPN services trends for creators 27-250 VPN monetization software America 27-2388 blog monetization software for guide for creators 27-50 personal finance ideas America 27-2620 personal parenting tips roadmap for small business 27-2571 parenting tips roadmap startups 27-2177 business automation tips for startups 27-1319 business](#)

## Chevy Suburban Repair Online :

**características de las serpientes expertoanimal com** - Apr 30 2022

web may 27 2020 características físicas de las serpientes las serpientes son reptiles de cuerpo alargado que no poseen patas por lo que se desplazan reptando sobre el suelo es una de las principales características de las serpientes pero cómo lo hacen

**serpientes cuáles son venenosas y cuántos tipos hay** - Jun 13 2023

web las serpientes son un tipo de reptiles que se caracterizan principalmente por la carencia de patas su anatomía caracterizada por un cuerpo alargado está preparada para permitir un desplazamiento sin necesidad de extremidades pueden moverse cómodamente tanto por tierra como por agua

*serpientes national geographic* - May 12 2023

web serpientes national geographic temas relacionados animales depredadores animales conducta animal más

**qué son las serpientes características y tipos** - Sep 04 2022

web las serpientes u ofidios tienen una gran capacidad de adaptación a diferentes climas y han ocupado ecosistemas acuáticos y terrestres a lo largo de su existencia pueden llegar a medir desde unos pocos centímetros hasta 10 metros como es el

**serpientes animalbank** - Nov 06 2022

web las serpientes son reptiles carnívoros de cuerpos alargados y sin extremidades agrupados en el orden squamata y suborden serpentes generalidades el grupo de las serpientes incluye gran variedad de especies con diferentes hábitos ecológicos comportamientos e historias de vida

serpientes datos y ciclo de vida estudiando - Dec 27 2021

web dec 12 2022 resumen de la lección las serpientes son reptiles escamosos sin brazos ni piernas pueden ser venenosas o no venenosas y son carnívoros lo que significa que comen carne son de sangre fría y no pueden calentar su cuerpo por lo que la mayoría vive en áreas más cálidas

**serpientes tipos especies guías fotos y recursos** - Aug 03 2022

web las serpientes son animales de sangre fría estos reptiles no controlan su temperatura por lo que esta depende del ambiente en que se encuentren dentro de este calificativo de serpientes por lo general incluimos a culebras víboras crótalos boas cobras mambas toda una lista de 2600 especies venenosas y no venenosas

**cuánto sabemos de las serpientes national geographic** - Apr 11 2023

web ficha con toda la información sobre este poderoso animal características y curiosidades por photo ark hay más de 3000 especies de serpientes en el planeta y se encuentran en todas partes excepto en la antártida islandia irlanda groenlandia y nueva zelanda

serpentes wikipédia - Jan 08 2023

web les serpents de nom scientifique serpentes forment un sous ordre de squamates carnivores au corps très allongé et dépourvus de membres apparents il s agit plus précisément de vertébrés amniotes caractérisés par un tégument recouvert d écailles imbriquées les unes sur les autres et protégées par une couche cornée épaisse et par

*qué comen dónde viven tipos de serpientes anipedia* - Dec 07 2022

web i la mejor información sobre serpientes en la guía serpientes 2023 de anipedia características hábitat alimentación reproducción especies y

**serpientes información y características la enciclopedia de la** - Feb 09 2023

web oct 10 2022 las serpientes serpentes también llamadas ofidios son reptiles cuya característica principal es la ausencia de patas excepto el pitón que con el tiempo ha desarrollado extremidades diminutas y el cuerpo muy alargado existen 456 géneros y más de 2 900 especies alrededor del mundo de las cuales solo 450 son venenosas

**serpientes national geographic** - Mar 10 2023

web las arañas comen serpientes en todo el mundo según revela un estudio sorprendente

serpiente información características y curiosidades animapedia - Jul 02 2022

web dec 21 2018 la serpiente posee diversas longitudes según a la especie a la que pertenezca la especie más grande es la pitón reticulada que mide unos 6 95 m de longitud y la anaconda verde que mide unos 5 21 m de longitud que también es considerada la serpiente más pesada de la tierra con un peso de 97 5 kg

**snake wikipedia** - Jul 14 2023

web etymology the english word snake comes from old english snaca itself from proto germanic snak an cf germanic schnake ring snake swedish snok grass snake from proto indo european root s nēg o to crawl to creep which also gave sneak as well as sanskrit nāgá snake the word ousted adder as adder went on to narrow in meaning

*tipos de serpientes clasificación nombres y fotografías* - Jun 01 2022

web aug 22 2019 tipos de serpientes existen alrededor de 3 400 especies de serpientes y menos del 10 por ciento son venenosas a pesar de ello las serpientes son un símbolo de temor para el ser humano personificando en ocasiones al mal las serpientes u ofidios pertenecen junto a camaleones e iguanas al orden squamata

**serpentes definition meaning merriam webster** - Oct 05 2022

web serpentes plural noun a suborder or other division of squamata comprising the snakes

*serpientes invasoras pueden escalar con una forma de* - Feb 26 2022

web las serpientes se propagaron rápidamente destruyeron poblaciones de vida silvestre local y provocaron la extinción de 10 especies de aves nativas desde ese entonces se ha intentado controlar a las invasoras desde arrojar desde el aire ratones repletos de droga hasta perros que las detecten pero nada tuvo éxito

serpiente spanish to english translation spanishdictionary com - Jan 28 2022

web teh feminine noun 1 animal a snake vimos una serpiente escurrirse de su madriguera en el desierto we saw a snake slither out of its burrow in the desert b serpent el pasaje del barco fue obstruido por una serpiente de mar iridiscente the ship s way was blocked by an iridescent sea serpent

*serpientes monstruosas documental de animales hd youtube* - Mar 30 2022

web sep 26 2021 son unos reptiles muy grandes las más audaces y posiblemente las más majestuosos del mundo de las serpientes súper sigilosas depredadores silenciosos pero

serpentes wikipedia la enciclopedia libre - Aug 15 2023

web todas las serpientes son carnívoras alimentándose de una gran variedad de presas que incluyen aves anfibios mamíferos peces o invertebrados e incluso reptiles entre ellos otras serpientes en ciertas especies generalmente las serpientes de

pequeño a moderado tamaño cazan presas indefensas las cuales pueden ser rápidamente

*le livre du lykke meik wiking pocket lisez* - Apr 08 2023

web créer des amitiés avoir une vie de communautés pour le président de l institut de recherche sur le bonheur il s agit de la solution et ce livre nous donne du courage pour frapper à la porte de ce voisin que l on ne connaît pas assez pour parler à cette nouvelle personne qui vient d arriver dans votre cercle de collègues

**le livre du lykke livres de développement personnel cultura** - Jul 31 2022

web le livre du lykke apres le succes du livre du hygge meik wiking revient avec une cartographie de ce qui fait le bonheur dans differents pays autour du monde de dubaï à rio meik

**amazon ca le livre du lykke** - Mar 27 2022

web select the department you want to search in

**le livre du lykke meik wiking babelio** - Oct 14 2023

web jan 25 2018 après avoir mis des mois voire des années à me lancer dans le livre du hygge de meik wiking directeur de l institut de recherche sur le bonheur à copenhagen j ai enchainé avec le livre du lykke qui se prononce lu keu et qui se traduit tout simplement par bonheur

*le livre du lykke prononcer lu keu decitre* - Oct 02 2022

web jan 17 2019 le livre du lykke prononcer lu keu le tour du monde des gens heureux de meik wiking collection pocket livraison gratuite à 0 01 dès 35 d achat librairie decitre votre prochain livre est là

le livre du lykke le tour du monde des gens heureux - Apr 27 2022

web mar 8 2018 le livre du lykke le tour du monde des gens heureux wiking meik 9782412029206 books amazon ca

**the little book of lykke 4 volume set secrets of the worlds** - Feb 23 2022

web welcome guest your page sign in new customer start here 0 cart

le livre du lykke paperback illustrated 25 jan 2018 - Jan 05 2023

web de combien d argent doit on disposer pour être heureux quel est le rôle de l éducation et celui de la famille celui du travail et de l égalité entre femmes et hommes une étude globale visionnaire par le président de l institut de recherche sur le bonheur

**the little book of lykke by meik wiking e sentral sg** - Sep 01 2022

web join the happiness revolution the author of the new york times bestseller the little book of hygge offers more inspiration and suggestions for achieving greater happiness by practicing lykke loo ka pursuing and finding the good that exists in the world around us every day while the danes are the happiest people on the planet happiness isn t

*le livre du lykke pocket book january 17 2019 amazon com* - Feb 06 2023

web jan 17 2019 le livre du lykke wiking meik mcguinness marion on amazon com free shipping on qualifying offers le livre du lykke

le livre du lykke poche meik wiking marion mcguinness - May 09 2023

web jan 17 2019 de dubaï à rio meik wiking explore et collecte tous les facteurs de bonheur pour nous permettre de nous les réapproprier ou du moins de nous en inspirer de combien d argent doit on disposer pour être heureux quel est le rôle de l éducation et celui de la famille celui du travail et de l égalité entre femmes et

**le livre du lykke le tour du monde des gens heureux** - Jul 11 2023

web créer des amitiés avoir une vie de communautés pour le président de l institut de recherche sur le bonheur il s agit de la solution et ce livre nous donne du courage pour frapper à la porte de ce voisin que l on ne connaît pas assez pour parler à cette nouvelle personne qui vient d arriver dans votre cercle de collègues

**le livre du lykke amazon sg books amazon singapore** - Jun 29 2022

web hello sign in account lists returns orders cart

**le livre du lykke le tour du monde des gens heureux** - Nov 03 2022

web le livre du lykke le tour du monde des gens heureux l optimiste french edition ebook wiking meik amazon ca boutique kindle

*le livre du lykke le tour du monde des gens heureux broché* - Jun 10 2023

web 13 99 lisez avec notre appli gratuite broché 12 45 7 d occasion à partir de 12 45 après le succès du livre du hygge traduit en 31 langues meik wiking revient avec une cartographie de ce qui fait le bonheur dans différents pays autour du monde

*le livre du lykke le tour du monde des gens heureux fnac* - Sep 13 2023

web jan 25 2018 le tour du monde des gens heureux le livre du lykke meik wiking first des milliers de livres avec la livraison chez vous en 1 jour ou en magasin avec 5 de réduction ou téléchargez la version ebook

**le livre du lykke de meik wiking josette co** - May 29 2022

web oct 7 2018 le danois présente les dénominateurs communs du bonheur à travers des expériences de vie dans le monde entier et classés en 6 thématiques être ensemble l argent la santé la liberté la confiance et la bonté

le livre du lykke le tour du monde des gens heureux l optimiste - Mar 07 2023

web achetez et téléchargez ebook le livre du lykke le tour du monde des gens heureux l optimiste boutique kindle santé et bien être amazon fr

*le livre du lykke by meik wiking goodreads* - Aug 12 2023

web sep 7 2017 read 1 502 reviews from the world s largest community for readers join the happiness revolution the author

of the new york times bestseller the little bo

[le livre du lykke wiking meik 9782266222150 abebooks](#) - Dec 04 2022

web apres le succÈs du livre du hygge meik wiking revient avec une cartographie de ce qui fait le bonheur dans diffÉrents pays autour du monde de dubaï à rio meik wiking explore et collecte tous les facteurs de bonheur pour nous permettre de nous les réapproprier ou du moins de nous en inspirer

[11 mendelian genetics laboratory manual for sci103 biology i](#) - Sep 07 2022

web genetics lab 6 mendelian genetics lab manual exercise 13 advertisement related documents variation inheritance wordbank b9 3 revision notes theoretical genetics

**bio 120l m6 mendelian genetics lab report studocu** - Mar 01 2022

web part 1 terminology beginning students of biology always learn about mendelian genetics inevitably the study of inheritance always leads to additional questions in fact

[mendelian genetics lab flashcards quizlet](#) - Dec 30 2021

[mendelian genetics lab the biology primer](#) - Jan 11 2023

web 11 mendelian genetics in this experiment we will use maize zea mays subsp mays from spanish maíz after taíno mahiz also known as corn to study mendelian inheritance

**lab 6 mendelian genetics pdf lab 6 mendelian genetics** - Jun 04 2022

web general biology lab 1 bsc1010l lab 8 mendelian genetics objectives understand mendel s laws of segregation and independent assortment

**lab 6 mendelian genetics genetics 200 title mendelian** - Sep 19 2023

web genetics 200 title mendelian genetics background the ability to form pigment anthocyanin in the aleurone of corn seeds is controlled by at least 3 sets of alleles

**chapter 18 mendelian genetics introduction to** - Apr 14 2023

web feb 28 2021 biology i laboratory manual lumen 9 module 9 mendelian genetics expand collapse global location 9 1 mendelian genetics 9 2 mendelian genetics

[lab 6 mendelian genetics studylib net](#) - Jan 31 2022

[biology lab 1000 lab 9 mendelian genetics studocu](#) - Oct 08 2022

web lab 6 mendelian genetics 1 predict the genotypic phenotypic ratios of the f1 generation products of the parental cross and f2 generation products of crossing two

**9 module 9 mendelian genetics biology libretxts** - Dec 10 2022

web lab 6 mendelian genetics objectives to predict observe phenotypic ratios from genetic crosses of maize to determine the significance of your results using statistical

**bio lab 6 dna extraction pcr mendelian genetics** - Jul 17 2023

web 6 mendelian genetics 6 1 mendel in his own words 6 1 1 experimental procedures 6 2 mendelian genetics a practical example 6 3 monohybrid cross experiment 1 6 4

**9 2 mendelian genetics instructor materials preparation** - Feb 12 2023

web genetic inheritance of traits genetics is the study of hereditary transmission and variation gregor mendel is considered the father of genetics yet he didn t know

**mendelian genetics dihybrid plant cross lab 6** - Jun 16 2023

web feb 28 2021 part 4 law of independent assortment students will do this part in table teams materials quantity notes genetic corn 9 3 3 1 box 1 box 9 2 mendelian

[mrosla science unit 6 mendelian genetics google sites](#) - Apr 02 2022

web triat is not dominant or recessive both the traits show aa red aa white aa red white spotted where do sex linked traits occur only in sex chromosomes mostly x

**mendelian genetics biology i laboratory manual lumen learning** - Oct 28 2021

*1 13 introduction to mendelian genetics biology libretxts* - Nov 09 2022

web brigadierdragonflyperson414 biology 103 pedigree making with mendelian genetics lab 6 directions in this lab you will use family histories to construct pedigrees and

*mendelian genetics lab quiz flashcards quizlet* - Nov 28 2021

**module 9 mendelian genetics biology libretxts** - Aug 18 2023

web jul 11 2023 beginning students of biology always learn about mendelian genetics inevitably the study of inheritance always leads to additional questions in fact

**lab 6 pdf biology 103 pedigree making with mendelian** - Jul 05 2022

web bio 120l m6 mendelian genetics lab report mendelian genetic inheritance britney easley june 11 studocu lab week 6 mendelian genetic inheritance britney easley

[lab 6 genetics presentation 1 lab 6 mendelian genetics](#) - Aug 06 2022

web unit 6 mendelian genetics learning objective 1 using genetic vocabulary predict the genotypic and phenotypic ratios for

a single trait when crossing two parent

[6 mendelian genetics laboratory manual for sci200 genetics](#) - May 15 2023

web we will focus on his experiment with different flower colors purple and white results of the f1 generation mendel s results for all of his physical traits did not support the blended

[bio 103 mendelian genetics bio 103 12 class](#) - Mar 13 2023

web introduction in plant and animal genetics research the decisions a scientist will make are based on a high level of confidence in the predictable inheritance of the genes that

[lab 6 mendelian genetics lab manual exercise 13 studylib net](#) - May 03 2022

web mendel s law of inheritance law of segregation each organism contains two alleles for each trait and the alleles segregate during the formation of gametes each gamete then