

Mercedes-Benz

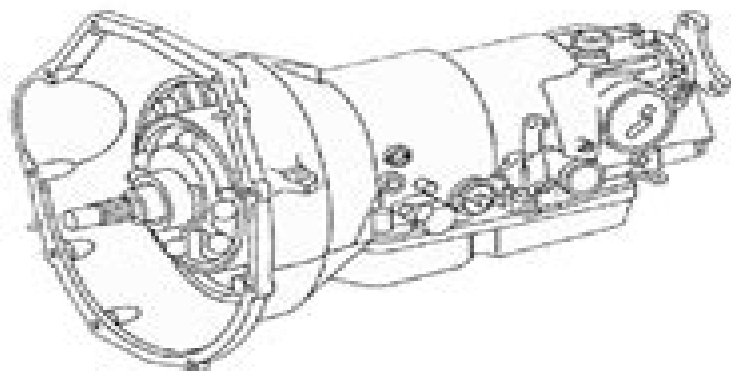
Service

# SERVICE MANUAL AUTOMATIC TRANSMISSION

W124.021

FOR 200E UP TO 9/1989

TYPE : 722.400.



- 1) Inspect the oil level and oil quality.
- 2) Check the oil level and oil quality.
- 3) Check the oil level and oil quality.



The oil level should be checked when the engine is running. The oil level should be checked when the engine is running. The oil level should be checked when the engine is running.

**Warning**  
Do not use the oil level dipstick to check the oil level.

When inspecting or working on the transmission, use the correct tools and procedures. Use the correct tools and procedures. Use the correct tools and procedures.

In the event of a transmission failure, the vehicle should be towed to a qualified repair shop. Do not attempt to drive the vehicle with a failed transmission.

Do not touch the oil level dipstick to the engine oil pan. Do not touch the oil level dipstick to the engine oil pan. Do not touch the oil level dipstick to the engine oil pan.

# Mercedes 722 400 Automatic Transmission Service Manual

**AW Chickering**



**Mercedes 722 400 Automatic Transmission Service Manual:**

This is likewise one of the factors by obtaining the soft documents of this **Mercedes 722 400 Automatic Transmission Service Manual** by online. You might not require more epoch to spend to go to the book start as competently as search for them. In some cases, you likewise reach not discover the revelation Mercedes 722 400 Automatic Transmission Service Manual that you are looking for. It will very squander the time.

However below, taking into account you visit this web page, it will be fittingly unconditionally easy to get as competently as download lead Mercedes 722 400 Automatic Transmission Service Manual

It will not say you will many become old as we explain before. You can complete it even if deed something else at home and even in your workplace. thus easy! So, are you question? Just exercise just what we come up with the money for under as without difficulty as evaluation **Mercedes 722 400 Automatic Transmission Service Manual** what you subsequent to to read!

[https://py.bijouxmedusa.com/About/scholarship/index.jsp/cohesion\\_exercise\\_with\\_answers.pdf](https://py.bijouxmedusa.com/About/scholarship/index.jsp/cohesion_exercise_with_answers.pdf)

## **Table of Contents Mercedes 722 400 Automatic Transmission Service Manual**

1. Understanding the eBook Mercedes 722 400 Automatic Transmission Service Manual
  - The Rise of Digital Reading Mercedes 722 400 Automatic Transmission Service Manual
  - Advantages of eBooks Over Traditional Books
2. Identifying Mercedes 722 400 Automatic Transmission Service Manual
  - Exploring Different Genres
  - Considering Fiction vs. Non-Fiction
  - Determining Your Reading Goals
3. Choosing the Right eBook Platform
  - Popular eBook Platforms
  - Features to Look for in an Mercedes 722 400 Automatic Transmission Service Manual
  - User-Friendly Interface

4. Exploring eBook Recommendations from Mercedes 722 400 Automatic Transmission Service Manual
  - Personalized Recommendations
  - Mercedes 722 400 Automatic Transmission Service Manual User Reviews and Ratings
  - Mercedes 722 400 Automatic Transmission Service Manual and Bestseller Lists
5. Accessing Mercedes 722 400 Automatic Transmission Service Manual Free and Paid eBooks
  - Mercedes 722 400 Automatic Transmission Service Manual Public Domain eBooks
  - Mercedes 722 400 Automatic Transmission Service Manual eBook Subscription Services
  - Mercedes 722 400 Automatic Transmission Service Manual Budget-Friendly Options
6. Navigating Mercedes 722 400 Automatic Transmission Service Manual eBook Formats
  - ePub, PDF, MOBI, and More
  - Mercedes 722 400 Automatic Transmission Service Manual Compatibility with Devices
  - Mercedes 722 400 Automatic Transmission Service Manual Enhanced eBook Features
7. Enhancing Your Reading Experience
  - Adjustable Fonts and Text Sizes of Mercedes 722 400 Automatic Transmission Service Manual
  - Highlighting and Note-Taking Mercedes 722 400 Automatic Transmission Service Manual
  - Interactive Elements Mercedes 722 400 Automatic Transmission Service Manual
8. Staying Engaged with Mercedes 722 400 Automatic Transmission Service Manual
  - Joining Online Reading Communities
  - Participating in Virtual Book Clubs
  - Following Authors and Publishers Mercedes 722 400 Automatic Transmission Service Manual
9. Balancing eBooks and Physical Books Mercedes 722 400 Automatic Transmission Service Manual
  - Benefits of a Digital Library
  - Creating a Diverse Reading Collection Mercedes 722 400 Automatic Transmission Service Manual
10. Overcoming Reading Challenges
  - Dealing with Digital Eye Strain
  - Minimizing Distractions
  - Managing Screen Time
11. Cultivating a Reading Routine Mercedes 722 400 Automatic Transmission Service Manual
  - Setting Reading Goals Mercedes 722 400 Automatic Transmission Service Manual
  - Carving Out Dedicated Reading Time

12. Sourcing Reliable Information of Mercedes 722 400 Automatic Transmission Service Manual
  - Fact-Checking eBook Content of Mercedes 722 400 Automatic Transmission Service Manual
  - Distinguishing Credible Sources
13. Promoting Lifelong Learning
  - Utilizing eBooks for Skill Development
  - Exploring Educational eBooks
14. Embracing eBook Trends
  - Integration of Multimedia Elements
  - Interactive and Gamified eBooks

### **Mercedes 722 400 Automatic Transmission Service Manual Introduction**

In the digital age, access to information has become easier than ever before. The ability to download Mercedes 722 400 Automatic Transmission Service Manual has revolutionized the way we consume written content. Whether you are a student looking for course material, an avid reader searching for your next favorite book, or a professional seeking research papers, the option to download Mercedes 722 400 Automatic Transmission Service Manual has opened up a world of possibilities. Downloading Mercedes 722 400 Automatic Transmission Service Manual provides numerous advantages over physical copies of books and documents. Firstly, it is incredibly convenient. Gone are the days of carrying around heavy textbooks or bulky folders filled with papers. With the click of a button, you can gain immediate access to valuable resources on any device. This convenience allows for efficient studying, researching, and reading on the go. Moreover, the cost-effective nature of downloading Mercedes 722 400 Automatic Transmission Service Manual has democratized knowledge. Traditional books and academic journals can be expensive, making it difficult for individuals with limited financial resources to access information. By offering free PDF downloads, publishers and authors are enabling a wider audience to benefit from their work. This inclusivity promotes equal opportunities for learning and personal growth. There are numerous websites and platforms where individuals can download Mercedes 722 400 Automatic Transmission Service Manual. These websites range from academic databases offering research papers and journals to online libraries with an expansive collection of books from various genres. Many authors and publishers also upload their work to specific websites, granting readers access to their content without any charge. These platforms not only provide access to existing literature but also serve as an excellent platform for undiscovered authors to share their work with the world. However, it is essential to be cautious while downloading Mercedes 722 400 Automatic Transmission Service Manual. Some websites may offer pirated or illegally obtained copies of copyrighted material. Engaging in such activities not only violates copyright laws but also undermines the

efforts of authors, publishers, and researchers. To ensure ethical downloading, it is advisable to utilize reputable websites that prioritize the legal distribution of content. When downloading Mercedes 722 400 Automatic Transmission Service Manual, users should also consider the potential security risks associated with online platforms. Malicious actors may exploit vulnerabilities in unprotected websites to distribute malware or steal personal information. To protect themselves, individuals should ensure their devices have reliable antivirus software installed and validate the legitimacy of the websites they are downloading from. In conclusion, the ability to download Mercedes 722 400 Automatic Transmission Service Manual has transformed the way we access information. With the convenience, cost-effectiveness, and accessibility it offers, free PDF downloads have become a popular choice for students, researchers, and book lovers worldwide. However, it is crucial to engage in ethical downloading practices and prioritize personal security when utilizing online platforms. By doing so, individuals can make the most of the vast array of free PDF resources available and embark on a journey of continuous learning and intellectual growth.

### **FAQs About Mercedes 722 400 Automatic Transmission Service Manual Books**

How do I know which eBook platform is the best for me? Finding the best eBook platform depends on your reading preferences and device compatibility. Research different platforms, read user reviews, and explore their features before making a choice. Are free eBooks of good quality? Yes, many reputable platforms offer high-quality free eBooks, including classics and public domain works. However, make sure to verify the source to ensure the eBook credibility. Can I read eBooks without an eReader? Absolutely! Most eBook platforms offer webbased readers or mobile apps that allow you to read eBooks on your computer, tablet, or smartphone. How do I avoid digital eye strain while reading eBooks? To prevent digital eye strain, take regular breaks, adjust the font size and background color, and ensure proper lighting while reading eBooks. What the advantage of interactive eBooks? Interactive eBooks incorporate multimedia elements, quizzes, and activities, enhancing the reader engagement and providing a more immersive learning experience. Mercedes 722 400 Automatic Transmission Service Manual is one of the best book in our library for free trial. We provide copy of Mercedes 722 400 Automatic Transmission Service Manual in digital format, so the resources that you find are reliable. There are also many Ebooks of related with Mercedes 722 400 Automatic Transmission Service Manual. Where to download Mercedes 722 400 Automatic Transmission Service Manual online for free? Are you looking for Mercedes 722 400 Automatic Transmission Service Manual PDF? This is definitely going to save you time and cash in something you should think about. If you trying to find then search around for online. Without a doubt there are numerous these available and many of them have the freedom. However without doubt you receive whatever you purchase. An alternate way to get ideas is always to check another

Mercedes 722 400 Automatic Transmission Service Manual. This method for see exactly what may be included and adopt these ideas to your book. This site will almost certainly help you save time and effort, money and stress. If you are looking for free books then you really should consider finding to assist you try this. Several of Mercedes 722 400 Automatic Transmission Service Manual are for sale to free while some are payable. If you arent sure if the books you would like to download works with for usage along with your computer, it is possible to download free trials. The free guides make it easy for someone to free access online library for download books to your device. You can get free download on free trial for lots of books categories. Our library is the biggest of these that have literally hundreds of thousands of different products categories represented. You will also see that there are specific sites catered to different product types or categories, brands or niches related with Mercedes 722 400 Automatic Transmission Service Manual. So depending on what exactly you are searching, you will be able to choose e books to suit your own need. Need to access completely for Campbell Biology Seventh Edition book? Access Ebook without any digging. And by having access to our ebook online or by storing it on your computer, you have convenient answers with Mercedes 722 400 Automatic Transmission Service Manual To get started finding Mercedes 722 400 Automatic Transmission Service Manual, you are right to find our website which has a comprehensive collection of books online. Our library is the biggest of these that have literally hundreds of thousands of different products represented. You will also see that there are specific sites catered to different categories or niches related with Mercedes 722 400 Automatic Transmission Service Manual So depending on what exactly you are searching, you will be able to choose ebook to suit your own need. Thank you for reading Mercedes 722 400 Automatic Transmission Service Manual. Maybe you have knowledge that, people have search numerous times for their favorite readings like this Mercedes 722 400 Automatic Transmission Service Manual, but end up in harmful downloads. Rather than reading a good book with a cup of coffee in the afternoon, instead they juggled with some harmful bugs inside their laptop. Mercedes 722 400 Automatic Transmission Service Manual is available in our book collection an online access to it is set as public so you can download it instantly. Our digital library spans in multiple locations, allowing you to get the most less latency time to download any of our books like this one. Merely said, Mercedes 722 400 Automatic Transmission Service Manual is universally compatible with any devices to read.

### **Find Mercedes 722 400 Automatic Transmission Service Manual :**

*cohesion exercise with answers*

[collins easy learning english conversation](#)

[civil defence exam paper of gas dubai](#)

[clues to deceit a practical list pdf download](#)

[clothing fashion fabrics and construction](#)

[cm6901 sls src llc sr controller with 1 fm 2 pwms](#)

[collins french to english one way dictionary grammar](#)

[college algebra trigonometry 6th edition](#)

**civilizing the machine technology and republican values in america 1776 1900**

**circuit analysis for power engineering handbook**

**cisco jabber for windows 10 6 user guide**

**claims adjuster study**

[codigos cnae 2018 su cnae en 5 segundos](#)

**close up b1 tests answer modestore**

[cloudstreet tim winton epub](#)

### **Mercedes 722 400 Automatic Transmission Service Manual :**

[asme boiler and pressure vessel code - Aug 15 2023](#)

web section iv heating boilers provides requirements for design fabrication installation and inspection of steam heating hot water heating hot water supply boilers and potable water heaters intended for low pressure service that are directly fired by oil gas electricity coal or other solid or liquid fuels

**section iv 2021 engineering standards store - Jun 01 2022**

web section iv asme bpvc iv 2021 2021asme boiler and pressure vessel code an international code markings such as asme asme standard or any other marking including asme asme logos or the asme single cer fica on mark shall not be used on any item that is not constructed in

[asme section ix kodu ile İlgili temel bilgiler tuv nord - Jan 28 2022](#)

web asme section ix kodu ile İlgili temel bilgiler asme standartları ile katılımcılara genel bir fikir vermek no 2 4 kat 4 gayrettepe beşiktaş tr 34349 İstanbul ankara bürosu meşrutiyet caddesi no 12 7 tel 90 0312 419 36 00 fax 90 0312 419 46 00 e mail eğitim tuv turkey com web adres tuv turkey com tuev

**code cases boilers and pressure vessels and section iv editon - Oct 25 2021**

web code cases boilers and pressure vessels and section iv editon set 2019 print book asme codes standards find codes standard code cases boilers and pressure vesse standards

**asme section iv rules for the construction of heating boilers - Apr 11 2023**

web jan 1 2012 hot water boilers include hot waterheating boilers and hot water supply boilers also covered by the rules of

section iv are potable water heaters and water storage tanks for operation at pressures not exceeding 160 psi 1 100 kpa and water temperatures not exceeding 210 f 99 c

*asme bpvc section iv 2013 free download pdf* - Sep 04 2022

web aug 4 2017 report asme bpvc section iv 2013 please fill this form we will try to respond as soon as possible your name email reason description close submit share embed asme bpvc section iv 2013 please copy and paste this embed script to where you want to embed

**asme bpvc iv section iv rules for construction** - Feb 09 2023

web jul 1 2023 asme bpvc iv 2023 edition july 1 2023 section iv rules for construction of heating boilers this section provides requirements for design fabrication installation and inspection of steam heating hot water heating hot water supply boilers and potable water heaters intended for low pressure service that are directly fired

*asme section iv pdf download engineering standards store* - Nov 25 2021

web jul 1 2023 2023 asme boiler and pressure vessel code section iv heating boilers pdf format multi user access printable online download flash sale purchase today

asme section iv rules for the construction of heating boilers - May 12 2023

web this chapter presents the rules of the asme boiler and pressure vessels code section iv constituting the minimum requirements for the safe design construction installation and inspection of low pressure steam boilers and hot water boilers which are directly fired with oil gas electricity or other solid or liquid fuels

**download asme bpvc 2013 section iv sciarium** - Apr 30 2022

web oct 24 2013 asme bpvc 2013 section iv rules for construction of heating boilers year of publication 2013 english language pages 308 format pdf bpvc iv provides requirements for design fabrication installation and inspection of steam heating hot water heating hot water supply boilers and potable

**asme section iv rules for the construction of heating boilers** - Jul 14 2023

web jan 1 2020 this chapter presents the rules of the asme boiler and pressure vessels code section iv constituting the minimum requirements for the safe design construction installation and inspection of low pressure steam boilers and hot water boilers which are directly fired with oil gas electricity or other solid or liquid fuels

**asme bpvc iv 2023 techstreet** - Jan 08 2023

web section iv contains rules that cover minimum construction requirements for the design fabrication installation and inspection of steam heating hot water heating and hot water supply boilers that are directly fired with oil gas electricity coal or other solid or liquid fuels and for operation at or below the pressure and temperature lim

**asme boiler and pressure vessel code wikipedia** - Mar 10 2023

web asme bpvc section iv rules for construction of heating boilers asme bpvc section v nondestructive examination asme bpvc section vi recommended rules for the care and operation of heating boilers asme bpvc section vii recommended guidelines for the care of power boilers asme bpvc section viii rules for

**asme standartları nedir online bilgi hizmetleri a Ş** - Dec 27 2021

web american society of mechanical engineers asme yüksek mühendislik ürünü mekanik sistemleri ve ürünleri uygun şekilde tasarlayın üretin ve bakımını yapın asme bpvc 14 section 30 cilt ve 16 000 sayfadan oluşmaktadır daha fazla bilgi için asme bpvc kitapçık içerik sayfamızdan yararlanabilirsiniz

**asme section iv pdf download engineering standards store** - Mar 30 2022

web jul 1 2021 careful application of asme section iv will help users to comply with applicable regulations within their jurisdictions while achieving the operational cost and safety benefits to be gained from the many industry best

[asme section iv rules for the construction of heating boilers](#) - Jul 02 2022

web in the first edition the chapter covered section iv rules for construction of heating boilers using the 1998 edition 1999 addenda and interpretations and has now been updated to the 2004 edition

**2015 american society of mechanical engineers** - Nov 06 2022

web section iv heating boilers provides requirements for design fabrication installation and inspection of steam heating hot water heating hot water supply boilers and potable water heaters intended for low pressure service that are directly fired by oil gas electricity coal or other solid or liquid fuels

**asme section iv rules for the construction of heating boilers** - Oct 05 2022

web in the first edition the chapter covered section iv rules for construction of heating boilers using the 1998 edition 1999 addenda and interpretations and has now been updated to the 2007 edition to assist the reader in understanding and using the code this chapter is presented in a simplified manner with the understanding that it is not

[\*asme section iv pdf technical publications store\*](#) - Feb 26 2022

web jul 1 2023 asme section iv 2023 edition heating boilers asme section iv provides requirements for design fabrication installation and inspection of steam heating hot water heating hot water supply boilers and potable water heaters intended for low pressure service that are directly fired by oil gas electricity coal or other solid or liquid

**bpvc section iv rules for construction of heating** - Jun 13 2023

web this section provides requirements for design fabrication installation and inspection of steam heating hot water heating hot water supply boilers and potable water heaters intended for low pressure service that are directly fired by oil gas electricity coal or other solid or liquid fuels

**asme bpvc iv 2013 2013 technical standard mystandards** - Aug 03 2022

web standard asme bpv section iv 2013 2013 bpv section iv rules for construction of heating boilers

**asme section iv rules for the construction of heating boilers** - Sep 23 2021

web asme section iv rules for the construction of heating boilers companion guide to the asme boiler and pressure vessel codes volume 1 fifth edition ed rao k asme press 2018

**asme section iv 2013 rules for construction of heating boilers** - Dec 07 2022

web 2013 asme boiler and pressure vessel code an international code iv rules for construction of heating boilers 20 2013

asme final covers iv htg boilers mech 5 9 indd 1 5 15 13 5 16 pm an international code 2013 asme boiler pressure vessel code 2013 edition july 1 2013 iv rules for construction of heating

**top 27 scary stories for kids 6 years above firstcry parenting** - Sep 25 2022

web dec 13 2022 horror stories for kids caution these short horror stories are not meant for very young children who could be frightened more than they should be 1 the hook age recommendation 8 years and above it was dark when a teenager and his girlfriend stopped at a lonely and secluded lover s lane to spend some time alone

70 true scary stories scary for kids - Feb 16 2022

web feb 11 2016 1 min read true scary stories real horror tales and urban legends online read about real stalkers murders ghosts creatures and paranormal encounters evil in the woods the waiter almost kidnapped lemonade stand crazy eyes strange news willowbrook state school children of bodom school principal end of the line the lost

**scary stories to tell in the dark scary for kids** - Jan 30 2023

web feb 24 2016 scary for kids february 24 2016 24 comments 2 min read scary stories to tell in the dark around a campfire at sleepovers or read online alvin schwartz put together a collection of spooky tales for kids based on ghost stories and urban legends

top 10 scary stories for kids to tell icebreakerideas - Aug 05 2023

web apr 4 2019 scary short stories for kids scary stories do not need to be long and drawn out kids have short attention spans and our collection of short scary stories for kids considers this fact and provides a good scare in a short amount of time the clown statue a girl in her teens babysat for a wealthy family one night

**top 10 scary stories for kids free pdf download reluctant** - Jul 04 2023

web kids love scary stories below are ten of the best how do you pick the best scary stories for kids we focused on classic stories that can be easily read in the classroom stories that are spooky and haunting but not graphic stories with plenty of 10 spooky ghost stories for kids and teens best campfire stories - Nov 27 2022

web oct 12 2022 and don t forget the ghost stories for kids these kid friendly scary tales are best told around the campfire or with the lights out for full effect and you can tell our short versions below or click on the links for longer ones each of

these 10 ghost stories for kids are sure to bring on some goosebumps but hopefully not keep anyone from

*scary stories for creepy kids spotify for podcasters* - Dec 29 2022

web oct 25 2023 short and spooky with a side of silly stories for kids by kids we are part of the go kid go network and are an independently run show made by our family mom dad ayla 9 and calla 7 scary kids featured kidspod app 11 spooky

kidspodcasts halloween season 7 family friendly halloween podcasts for ghouls amp goblins of

**scary stories for kids that are just spooky enough tinybeans** - Apr 01 2023

web jul 23 2023 30 scary stories for kids that are just spooky enough by leah r singer july 23 2023 click to share on copy opens in new window istock these funny and spooky ghost stories for kids keep that eerie vibe going through the night there s nothing like telling ghost stories over a campfire or at a sleepover

*68 scary stories for kids that will likely increase your electric* - May 02 2023

web oct 10 2022 short and scary ghost stories for kids are fun especially when you are on a camping trip some popular ghost stories are the ghost of the bloody finger the ball pit the big toe the yellow ribbon the coffin and the dem bones these stories can make your child s camping night exciting and memorable however don t scare them too much

**scary stories for creepy kids on apple podcasts** - Jul 24 2022

web oct 31 2023 short and spooky with a side of silly stories for kids by kids we are part of the go kid go network and are an independently run show made by our family mom dad ayla 9 and calla 7 scary kids featured kidspod app 11 spooky

kidspodcasts halloween season 7 family friendly halloween p

*21 kid friendly ghost stories and spooky stories for kids* - Oct 27 2022

web jul 28 2022 here are 21 not so scary ghost stories and spooky stories for kids of all ages for more family fun while camping check out our list of 17 camping games to play with kids our latest videos poor jasper cannot get rid of his creepy pair of underwear photo courtesy of simon schuster not so spooky ghost stories for little

[scary short stories guaranteed to set a halloween mood](#) - Jun 03 2023

web by megan mathis oct 18 2021 i always loved walking into english class in october and discovering my teacher had a scary short story for us to read sometimes they d dim the lights and have creepy music playing softly in the background we d all dive in eager to see if it really was as scary as we hoped

**20 scary books for kids horror spooky and funny scary stories** - Aug 25 2022

web oct 14 2022 below you ll find a curated list of the very best scary books for kids complete with an age rating for each so that you can pick the perfect halloween page turner for your mini spook seeker contents but are scary stories suitable for kids the best first scary stories for kids funny scary stories chilling stories for children aged 10

**the 13 best scary stories for kids in time for halloween** - Apr 20 2022

web dec 15 2022 1 urban legend bloody mary ages 10 years and older summary of the bloody mary myth this urban legend is said if you stand in a dark room holding a candle and say the name bloody mary three times her ghostly reflection will appear in the mirror sometimes she will be alone and sometimes she will be holding a baby

**80 short horror stories scary for kids** - Oct 07 2023

web feb 25 2016 short horror stories to tell at night and scary tales for kids and adults to read online read about creepy ghosts japanese urban legends and classic tales of fear about crazy stalkers deranged murderers and other terrifying monsters

*10 scary stories for kids that they ll never forget* - Sep 06 2023

web oct 20 2023 kids enjoy a good fright but it can be hard to find short scary stories for kids that aren t going to keep them up all night we ve pulled together the best kids scary stories for little and not so little ones and added some

*45 scary ghost stories scary for kids* - May 22 2022

web feb 22 2016 short scary ghost stories for kids and adults to tell around the campfire some are true stories inspired by real life events and others are pure fiction designed to send a shiver down your spine for some terrifying fun read them alone in the dark and scare yourself to death

**halloween bedtime stories storyberries** - Mar 20 2022

web oct 30 2023 scary stories for kids that are perfect for halloween ghost stories monsters witches trick or treat black cats and things that go bump in the night 5 min stories age 4 6 all early readers feelings and emotions friends ghosts halloween picture books rhyming stories

*50 spooky stories scary for kids* - Jun 22 2022

web feb 7 2016 short spooky stories for kids and adults to tell in the dark read these creepy ghost stories online around the campfire or at sleepovers and scare yourself silly at bedtime love potion

**the haunted house learnenglish kids** - Feb 28 2023

web other things were not scary but one thing was scary at the last screen bob s eyes are bob s eyes are beaming with yellow and green colours i think it s haunted in the haunted house

**zeitoun literatura random house by dave eggers** - Mar 14 2023

web zeitoun literatura random house by dave eggers zeitoun by dave eggers goodreads zeitoun part 1 sunday august 28 summary litcharts zeitoun tone and mood weebly zeitoun download pdf 6 mb pdfripper zeitoun excerpt read free excerpt of zeitoun by dave eggers zeitoun by dave eggers 9780307387943 penguin random house zeitoun open

**the random house book of bedtime stories amazon com** - Jul 06 2022

web may 1 2007 the random house book of bedtime stories includes tried and true standbys such as goldilocks and the

three bears peter rabbit and the gingerbread man alongside unexpected gems from oscar wilde rudyard kipling

*zeitoun literatura random house old syndeohro* - Nov 10 2022

web zeitoun the oxford handbook of maximus the confessor how we are hungry science and empires a heartbreaking work of staggering genius zeitoun zum 95 the z formal specification notation heroes of the frontier un holograma para el rey talking pictures héroes de la frontera list of journals indexed in index medicus zeitoun literatura

zeitoun literatura random house uniport edu ng - Mar 02 2022

web apr 18 2023 zeitoun literatura random house 3 18 downloaded from uniport edu ng on april 18 2023 by guest

showcases his talents in a variety of stories that are short short short long and every length in between and in stories that are dark funny inspiring daring and endlessly inventive including the acclaimed up

**zeitoun literatura random house uniport edu ng** - Jun 05 2022

web aug 3 2023 zeitoun literatura random house 2 10 downloaded from uniport edu ng on august 3 2023 by guest never even have heard of yet their outcomes quietly defined the world we live in now familiar or little known each case springs to vivid life in the hands of the acclaimed writers who dive into the history narrate their

**zeitoun by dave eggert penguin random house canada** - Aug 19 2023

web when hurricane katrina struck new orleans abdulrahman zeitoun a prosperous syrian american and father of four chose to stay through the storm to protect his house and contracting business in the days after the storm he traveled the flooded streets in a secondhand canoe passing on supplies and helping those he could

*zeitoun literatura random house stage gapinc com* - Oct 09 2022

web zeitoun literatura random house 3 3 four chose to stay through the storm to protect his house and contracting business in the days after the storm he traveled the flooded streets in a secondhand canoe passing on supplies and helping those he could a week later zeitoun abruptly disappeared eggert s riveting nonfiction book three years

*publisher literatura random house open library* - May 16 2023

web gabriel garcía márquez 1928 chimamanda ngozi adichie 1977 orhan pamuk 1952 abdulrahman zeitoun 1957 albert camus 1913 1960 alison poole art spiegelman art spiegelman 1948 aureliano buendía

**author events penguin random house** - Jan 12 2023

web all the latest information about penguin random house author events at a venue near you

*zeitoun literatura random house movingforward uibt com* - Jul 18 2023

web stimulate metamorphosis is really astonishing within the pages of zeitoun literatura random house an enthralling opus penned by a very acclaimed wordsmith readers attempt an immersive expedition to unravel the intricate significance of language and its indelible imprint on our lives

*zeitoun by dave eggers open library* - Jun 17 2023

web mar 21 2017 *zeitoun 1st vintage books ed by dave eggers* 3 80 10 ratings 21 want to read 1 currently reading 14 have read from goodreads the true story of one family caught between america s two biggest policy disasters the war on terror and the response to hurricane katrina

**zeitoun by dave eggers plot summary litcharts** - Feb 13 2023

web zeitoun is set in new orleans louisiana and begins with the protagonist abdulrahman zeitoun known by his last name and his wife kathy preparing to send their children nademah aisha and safiya to school kathy s son from her first marriage zachary is already there the couple bickers with kathy growing frustrated by zeitoun s

zeitoun literatura random house uniport edu ng - Apr 03 2022

web apr 4 2023 *zeitoun literatura random house* 1 18 downloaded from uniport edu ng on april 4 2023 by guest zeitoun literatura random house this is likewise one of the factors by obtaining the soft documents of this zeitoun literatura random house by online you might not require more era to spend to go to the books establishment as competently as

**random house books list of books by author random house thriftbooks** - Sep 08 2022

web random house 24 59 28 99 thomas friends 5 minute stories the sleepytime collection random house 3 99 12 11 potty patrol random house 4 49 9 99 trolls 5 minute stories dreamworks trolls random house 4 59 11 46 barbie you can be 5 minute stories barbie random house 4 59 5 39 survival mode

*must read short story collections penguin random house* - Dec 11 2022

web fiction classics romance literary fiction mystery thriller science fiction spanish language fiction nonfiction biographies memoirs wellness cookbooks history spanish language nonfiction

zeitoun study guide literature guide litcharts - Apr 15 2023

web summary welcome to the litcharts study guide on dave eggers s zeitoun created by the original team behind sparknotes litcharts are the world s best literature guides zeitoun introduction a concise biography of dave eggers plus historical and literary context for zeitoun zeitoun plot summary

zeitoun literatura random house uniport edu ng - May 04 2022

web jun 2 2023 *zeitoun literatura random house* 1 13 downloaded from uniport edu ng on june 2 2023 by guest zeitoun literatura random house when people should go to the books stores search foundation by shop shelf by shelf it is really problematic this is why we present the book compilations in this website it will categorically ease you to see guide

**zeitoun literatura random house uniport edu ng** - Aug 07 2022

web oct 1 2023 *zeitoun literatura random house* 1 12 downloaded from uniport edu ng on october 1 2023 by guest zeitoun literatura random house this is likewise one of the factors by obtaining the soft documents of this zeitoun literatura random

house by online you might not require more era to spend to go to the ebook creation as well as search

**zeitoun penguin random house international sales** - Sep 20 2023

web jun 15 2010 national bestseller from the bestselling author of the true story of one family caught between america s two biggest policy disasters the war on terror and the response to hurricane katrina eggers tone is pitch perfect suspense blended with just enough information to stoke reader outrage and what is likely to be a typical response

zeitoun by dave eggers 9780307387943 penguin random house - Oct 21 2023

web national bestseller from the bestselling author of the circle the true story of one family caught between america s two biggest policy