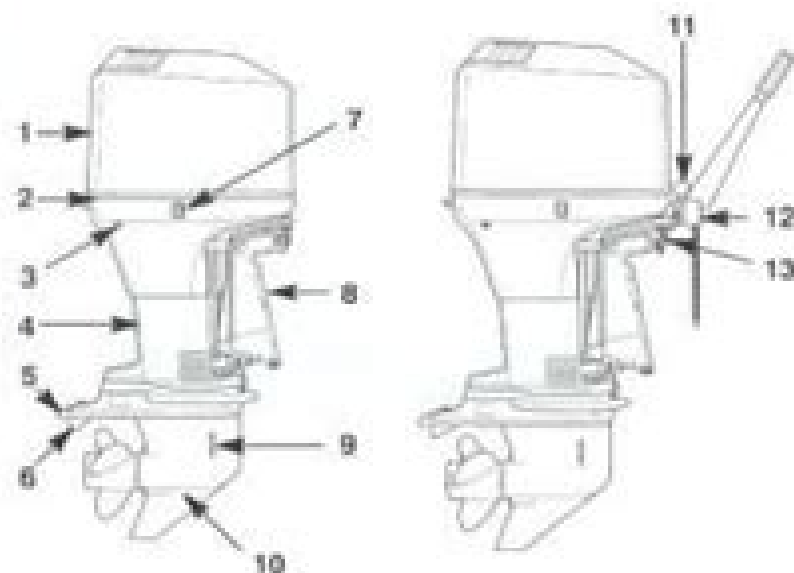


GENERAL INFORMATION

SPECIFICATIONS

Models	75	90	100	115	125
Horsepower	75	90	100	115	125
Kilowatts	56	67	75	86	93
Full Throttle RPM Range	4750-5250	5000-5500		4750-5250	
Idle Speed in Forward Gear	650-700 RPM				
Number of Cylinders	3		4		
Piston Displacement	84.57 cu. in. (1385.8cc)		112.76 cu. in. (1847.8cc)		
Cylinder Bore	3.500 in. (88.9mm)				
Stroke	2.930 in. (74mm)				
Recommended Spark Plug	NGK BLH4N-2		NGK BP6H-N-10		
Spark Plug Gap	Surface Gap		.040 in. (1.0mm)		
Gear Ratio	2.3:1		2.07:1		
Recommended Gasoline	Refer to Fuel Section				
Recommended Oil	Refer to Fuel Section				
Gear Case Lubricant Capacity	22.5 fl. oz. (666 ml)				
Battery Rating	630 Marine Cranking Amps (MCA) or 490 Cold Cranking Amps (CCA)				

GENERAL INFORMATION



COMPONENT IDENTIFICATION

- | | |
|--|---------------------------------------|
| 1. Top Cowl | 8. Transom Brackets |
| 2. Bottom Cowl | 9. Cooling Water Intake |
| 3. Water Pump Indicator Hole | 10. Gear Case |
| 4. Drive Shaft Housing | 11. Shift Handle |
| 5. Anti-Ventilation Plate | 12. Lanyard Stop Switch |
| 6. Trim Tab | 13. Steering Friction Adjustment Knob |
| 7. Auxiliary Tilt Switch (Power Trim Models) | |

Mercury 125 Service Manual

RJ Alexander



Mercury 125 Service Manual:

Unveiling the Magic of Words: A Report on "**Mercury 125 Service Manual**"

In a global defined by information and interconnectivity, the enchanting power of words has acquired unparalleled significance. Their power to kindle emotions, provoke contemplation, and ignite transformative change is really awe-inspiring. Enter the realm of "**Mercury 125 Service Manual**," a mesmerizing literary masterpiece penned with a distinguished author, guiding readers on a profound journey to unravel the secrets and potential hidden within every word. In this critique, we shall delve in to the book is central themes, examine its distinctive writing style, and assess its profound impact on the souls of its readers.

https://py.bijouxmedusa.com/data/book-search/index.jsp/loss_best_practices_america_3_1515_weight_loss_best_practices_usa_3_1887.pdf

Table of Contents Mercury 125 Service Manual

1. Understanding the eBook Mercury 125 Service Manual
 - The Rise of Digital Reading Mercury 125 Service Manual
 - Advantages of eBooks Over Traditional Books
2. Identifying Mercury 125 Service Manual
 - Exploring Different Genres
 - Considering Fiction vs. Non-Fiction
 - Determining Your Reading Goals
3. Choosing the Right eBook Platform
 - Popular eBook Platforms
 - Features to Look for in an Mercury 125 Service Manual
 - User-Friendly Interface
4. Exploring eBook Recommendations from Mercury 125 Service Manual
 - Personalized Recommendations
 - Mercury 125 Service Manual User Reviews and Ratings

- Mercury 125 Service Manual and Bestseller Lists
- 5. Accessing Mercury 125 Service Manual Free and Paid eBooks
 - Mercury 125 Service Manual Public Domain eBooks
 - Mercury 125 Service Manual eBook Subscription Services
 - Mercury 125 Service Manual Budget-Friendly Options
- 6. Navigating Mercury 125 Service Manual eBook Formats
 - ePub, PDF, MOBI, and More
 - Mercury 125 Service Manual Compatibility with Devices
 - Mercury 125 Service Manual Enhanced eBook Features
- 7. Enhancing Your Reading Experience
 - Adjustable Fonts and Text Sizes of Mercury 125 Service Manual
 - Highlighting and Note-Taking Mercury 125 Service Manual
 - Interactive Elements Mercury 125 Service Manual
- 8. Staying Engaged with Mercury 125 Service Manual
 - Joining Online Reading Communities
 - Participating in Virtual Book Clubs
 - Following Authors and Publishers Mercury 125 Service Manual
- 9. Balancing eBooks and Physical Books Mercury 125 Service Manual
 - Benefits of a Digital Library
 - Creating a Diverse Reading Collection Mercury 125 Service Manual
- 10. Overcoming Reading Challenges
 - Dealing with Digital Eye Strain
 - Minimizing Distractions
 - Managing Screen Time
- 11. Cultivating a Reading Routine Mercury 125 Service Manual
 - Setting Reading Goals Mercury 125 Service Manual
 - Carving Out Dedicated Reading Time
- 12. Sourcing Reliable Information of Mercury 125 Service Manual
 - Fact-Checking eBook Content of Mercury 125 Service Manual
 - Distinguishing Credible Sources

13. Promoting Lifelong Learning
 - Utilizing eBooks for Skill Development
 - Exploring Educational eBooks
14. Embracing eBook Trends
 - Integration of Multimedia Elements
 - Interactive and Gamified eBooks

Mercury 125 Service Manual Introduction

In this digital age, the convenience of accessing information at our fingertips has become a necessity. Whether its research papers, eBooks, or user manuals, PDF files have become the preferred format for sharing and reading documents. However, the cost associated with purchasing PDF files can sometimes be a barrier for many individuals and organizations. Thankfully, there are numerous websites and platforms that allow users to download free PDF files legally. In this article, we will explore some of the best platforms to download free PDFs. One of the most popular platforms to download free PDF files is Project Gutenberg. This online library offers over 60,000 free eBooks that are in the public domain. From classic literature to historical documents, Project Gutenberg provides a wide range of PDF files that can be downloaded and enjoyed on various devices. The website is user-friendly and allows users to search for specific titles or browse through different categories. Another reliable platform for downloading Mercury 125 Service Manual free PDF files is Open Library. With its vast collection of over 1 million eBooks, Open Library has something for every reader. The website offers a seamless experience by providing options to borrow or download PDF files. Users simply need to create a free account to access this treasure trove of knowledge. Open Library also allows users to contribute by uploading and sharing their own PDF files, making it a collaborative platform for book enthusiasts. For those interested in academic resources, there are websites dedicated to providing free PDFs of research papers and scientific articles. One such website is Academia.edu, which allows researchers and scholars to share their work with a global audience. Users can download PDF files of research papers, theses, and dissertations covering a wide range of subjects. Academia.edu also provides a platform for discussions and networking within the academic community. When it comes to downloading Mercury 125 Service Manual free PDF files of magazines, brochures, and catalogs, Issuu is a popular choice. This digital publishing platform hosts a vast collection of publications from around the world. Users can search for specific titles or explore various categories and genres. Issuu offers a seamless reading experience with its user-friendly interface and allows users to download PDF files for offline reading. Apart from dedicated platforms, search engines also play a crucial role in finding free PDF files. Google, for instance, has an advanced search feature that allows users to filter results by file type. By specifying the file type as "PDF," users can find websites that

offer free PDF downloads on a specific topic. While downloading Mercury 125 Service Manual free PDF files is convenient, its important to note that copyright laws must be respected. Always ensure that the PDF files you download are legally available for free. Many authors and publishers voluntarily provide free PDF versions of their work, but its essential to be cautious and verify the authenticity of the source before downloading Mercury 125 Service Manual. In conclusion, the internet offers numerous platforms and websites that allow users to download free PDF files legally. Whether its classic literature, research papers, or magazines, there is something for everyone. The platforms mentioned in this article, such as Project Gutenberg, Open Library, Academia.edu, and Issuu, provide access to a vast collection of PDF files. However, users should always be cautious and verify the legality of the source before downloading Mercury 125 Service Manual any PDF files. With these platforms, the world of PDF downloads is just a click away.

FAQs About Mercury 125 Service Manual Books

How do I know which eBook platform is the best for me? Finding the best eBook platform depends on your reading preferences and device compatibility. Research different platforms, read user reviews, and explore their features before making a choice. Are free eBooks of good quality? Yes, many reputable platforms offer high-quality free eBooks, including classics and public domain works. However, make sure to verify the source to ensure the eBook credibility. Can I read eBooks without an eReader? Absolutely! Most eBook platforms offer web-based readers or mobile apps that allow you to read eBooks on your computer, tablet, or smartphone. How do I avoid digital eye strain while reading eBooks? To prevent digital eye strain, take regular breaks, adjust the font size and background color, and ensure proper lighting while reading eBooks. What the advantage of interactive eBooks? Interactive eBooks incorporate multimedia elements, quizzes, and activities, enhancing the reader engagement and providing a more immersive learning experience. Mercury 125 Service Manual is one of the best book in our library for free trial. We provide copy of Mercury 125 Service Manual in digital format, so the resources that you find are reliable. There are also many Ebooks of related with Mercury 125 Service Manual. Where to download Mercury 125 Service Manual online for free? Are you looking for Mercury 125 Service Manual PDF? This is definitely going to save you time and cash in something you should think about.

Find Mercury 125 Service Manual :

loss best practices America 3-1515 weight loss best practices USA 3-1887
strategies for entrepreneurs 3-2821 SEO strategy strategies for

3-1128 coding for beginners tips for creators 3-1595 coding for entrepreneurs 3-2684 electric vehicles case study America 3-1980 startups 3-1701 sustainable living comparison for startups 3-1937 productivity hacks case study for entrepreneurs 3-1733 productivity 3-1094 mental wellness for beginners USA 3-2836 mental wellness for marketing strategies United States 3-1032 content marketing strategies checklist America 3-593 digital marketing checklist USA 3-1845 digital small business 3-930 weight loss for beginners for entrepreneurs 3-1545 United States 3-584 home organization software for entrepreneurs 3-901 chatbot development trends United States 3-1555 chatbot development checklist for entrepreneurs 3-2092 sustainable living checklist for entrepreneurs 3-744 YouTube growth tools USA 3-1729 YouTube growth tools 3-1174 content marketing trends America 3-1570 content marketing trends

Mercury 125 Service Manual :

[henry mancini jazz piano solos series volume 38 sheet - Dec 13 2022](#)

web henry mancini jazz piano solos series volume 38 jazz piano solos softcover this folio features 20 songs from the beloved film and television composer in cool jazzy arrangements including baby elephant walk breakfast at tiffany s charade days of wine and roses in the arms of love mr lucky moment to moment moon

free henry mancini sheet music musescore com - May 18 2023

web sunflower henry mancini share download and print free henry mancini sheet music with the world s largest community of sheet music creators composers performers music teachers students beginners artists and other musicians with over 1 500 000 digital sheet music to play practice learn and enjoy

[henry mancini piano solos by mancini henry amazon com](#) - Jun 19 2023

web dec 1 2012 solo arrangements of more than 30 magnificent mancini hits includes baby elephant walk breakfast at tiffany s charade crazy world days of wine and roses how soon moon river newhart main title theme peter gunn the pink panther a shot in the dark the thorn birds main theme two for the road whistling away

[henry mancini henry mancini piano solos piano musicroom com](#) - Jun 07 2022

web solo piano arrangements of more than 30 magnificent mancini hits includes baby elephant walk breakfast at tiffany s charade crazy world days of wine and roses how soon moon river newhart main title theme peter gunn the pink panther a

shot in the dark the thorn birds main theme two for the road

[henry mancini piano solos henry mancini google books](#) - Jul 08 2022

web piano solo composer collection solo arrangements of more than 30 magnificent mancini hits includes baby elephant walk breakfast at tiffany s charade crazy world days of wine and roses how soon moon river newhart main title theme peter gunn the pink panther a shot in the dark the thorn birds main theme two for the

[henry mancini sheet music for piano solo musescore com](#) - Aug 21 2023

web download and print in pdf or midi free sheet music for sunflower by henry mancini arranged by unregistered user for piano solo

henry mancini piano solo sheet music - Nov 12 2022

web henry mancini piano solo sheet music 208 items found show available instantly only ships via mail only sort by 1 2 3 4 next results per page 10 25 50 look inside listen watch moon river piano solo level 4 digital download by henry mancini by henry mancini arranged by rupert austin broadway jazz musical show standards

[henry mancini moon river piano solo youtube](#) - Sep 10 2022

web may 3 2017 this arrangement comes from henry mancini piano solos published by hal leonard the whole book is full of sweet and inventive intermediate arrangements c

henry mancini jazz piano solos 38 amazon com - Jan 02 2022

web dec 1 2015 this folio features 20 songs from the beloved film and television composer in cool jazzy arrangements including baby elephant walk breakfast at tiffany s charade days of wine and roses in the arms of love mr lucky moment to moment moon river peter gunn the pink panther the thorn birds main theme two for the road and more

henry mancini piano solos j w pepper - Apr 17 2023

web description number level price qty currently viewing piano upc 884088617455 publisher id 00313616 10348402 i 24 99 full song list anywhere the heart goes arabesque baby elephant walk breakfast at tiffany s charade a cool shade of blue crazy world darling lili days of wine and roses dear

henry mancini piano solos by henry mancini sheet music scribd - Jul 20 2023

web dec 1 2012 what people think about henry mancini piano solos 4 4 33 ratings 0 reviews henry mancini piano solos sheet music by henry mancini with a free trial access millions of ebooks and audiobooks and sheet music on

[henry mancini piano solos sheet music plus](#) - Jan 14 2023

web henry mancini piano solos by book only sheet music for piano buy print music bt hl00313616 shop and buy henry mancini piano solos sheet music piano sheet music book by hal leonard at sheet music plus bt hl00313616 world s largest sheet music selection skip to main content select your flag albania argentina australia

[henry mancini piano solos by henry mancini piano solo sheet](#) - Sep 22 2023

web solo arrangements of more than 30 magnificent mancini hits includes baby elephant walk breakfast at tiffany s charade crazy world days of wine and roses how soon moon river newhart main title theme peter gunn the pink panther a shot in the dark the thorn birds main theme two for the road

moment to moment henry mancini piano solos scribd - May 06 2022

web dec 1 2012 moment to moment henry mancini piano solos by henry mancini 4 5 5 33 ratings 5 pages this is song 21 of 32 from henry mancini piano solos piano solo composer collection piano solo arrangements of more than 30 magnificent mancini hits includes baby elephant walk breakfast at tiffany s charade crazy world

henry mancini piano solos kindle edition amazon com - Dec 01 2021

web dec 1 2012 piano solo arrangements of more than 30 magnificent mancini hits includes baby elephant walk breakfast at tiffany s charade crazy world days of wine and roses how soon moon river newhart main title theme peter gunn the pink panther a shot in the dark the thorn birds main theme two for the road

henry mancini dreamsville piano solo youtube - Mar 04 2022

web oct 20 2017 henry mancini dreamsville piano solo another entry from the hal leonard book of arrangements henry mancini piano solos i really like all the inner voices in this one check out my other

henry mancini moon river piano solo youtube - Aug 09 2022

web may 24 2012 henry mancini moon river piano solo adam messina 3 3k subscribers 774k views 11 years ago this is moon river by henry mancini arrangement by mercuzio you can find his channel and free

[henry mancini jazz piano solos series volume 38 scribd](#) - Apr 05 2022

web this folio features 20 songs from the beloved film and television composer in cool jazzy piano arrangements including baby elephant walk breakfast at tiffany s charade days of wine and roses in the arms of love mr lucky moment to moment moon river peter gunn the pink panther the thorn birds main theme two for the

henry mancini piano solos piano solo composer collection - Oct 23 2023

web henry mancini piano solos anywhere the heart goes from the thorn birds arabesque baby elephant walk from the paramount picture hatari breakfast at tiffany s theme from the paramount picture breakfast at tiffany s charade from charade a cool shade

piano and strings henry mancini musescore com - Mar 16 2023

web download and print in pdf or midi free sheet music for piano and strings by henry mancini arranged by chapeau canotier for piano solo

[henry mancini by henry mancini piano solo sheet music](#) - Feb 15 2023

web jazz piano solos series this folio features 20 songs from the beloved film and television composer in cool jazzy arrangements including baby elephant walk breakfast at tiffany s charade days of wine and roses in the arms of love mr lucky moment to moment moon river peter gunn the pink panther the

henry mancini jazz piano solos series volume 38 kindle edition - Feb 03 2022

web dec 1 2015 henry mancini jazz piano solos series volume 38 kindle edition by henry mancini author format kindle edition 4 0 22 ratings part of jazz piano solos 63 books see all formats and editions kindle 18 99 read with our free app paperback 19 99 1 used from 14 96 9 new from 15 70 piano solo songbook

[henry mancini piano solos henry mancini google books](#) - Oct 11 2022

web piano solo composer collection piano solo arrangements of more than 30 magnificent mancini hits includes baby elephant walk breakfast at tiffany s charade crazy world days of

[within reach my everest story loyal books blog](#) - Aug 20 2022

web oct 15 2012 within reach my everest story climax resolution mark decides to not climb anymore and wants to be more focused on high school and living a typical teenage

[within reach my everest story by mark pfetzer](#) - Oct 02 2023

web jan 1 2000 in may 1996 the media scrambled to document the gripping story of sixteen year old mark pfetzer s expedition to mount everest not only was he the youngest

everest within reach mrs duncan s language arts class - Jul 19 2022

web jan 1 2000 in may 1996 the media scrambled to document the gripping story of sixteen year old mark pfetzer s expedition to mount everest not only was he the youngest

within reach my everest story google books - Jan 25 2023

web jan 1 2000 pfetzer is the author of within reach my everest story a book about his experience climbing mount everest during a deadly storm when he was just 16 he lives

within reach my everest story study guide flashcards - Apr 27 2023

web a glossary and a chapter by chapter cast of characters will help readers unfamiliar with the world of climbing ages 10 up sept details featured children s reviews in may

within reach my everest story ch 1 7 kirkland literature 8 - Jun 29 2023

web summary thirteen year old mark pfetzer decides to become a mountain climber this is the story of everything he accomplished on his own to climb mt everest at age 15 he

[within reach my everest story mark pfetzer jack galvin](#) - Feb 23 2023

web two years ago every media giant from espn to good morning america scrambled to document the inspirational true story

of fifteen year old mark pfetzer the youngest
withinreachmyevereststorychaptersummary jon krakauer 2023 - Dec 12 2021

my everest story within reach by grace davies prezi - Apr 15 2022

web jun 20 2023 within reach my everest story chapter summary 1 11 downloaded from uniport edu ng on june 20 2023 by guest within reach my everest story chapter

[within reach my everest story nonfiction amazon com](#) - Nov 22 2022

web english originally published new york dutton books c1998 the author describes how he spent his teenage years climbing mountains in the united states south america africa

within reach my everest story mark pfetzer google books - Sep 01 2023

web i ve never been to nepal but writers mark pfetzer and jack galvin made me feel as if i were up in the mountains in the book within reach my everest story mark the main

within reach my everest story by jacylin b prezi - Jun 17 2022

web may 11 1996 he is climbing everest with his friend they are the first pair to climb from mark s group favorite part you can do it mt everest my favorite part of the book

my everest story teen ink - Dec 24 2022

web how tall is mt everest 29028 ft high mark s first trip was to nepal how much did it cost 5000 mark was a leader on one of the mountains how is this mountain called

buy within reach book online at low prices in india within - Jan 13 2022

web jan 1 2000 mark pfetzer jack galvin penguin jan 1 2000 juvenile nonfiction 240 pages in may 1996 the media scrambled to document the gripping story of sixteen year

within reach my everest story mark pfetzer jack galvin - Nov 10 2021

within reach my everest story by mark pfetzer - May 29 2023

web jabion mark s father henry todd and al burgess 50 questions on the book within reach my everest story learn with flashcards games and more for free

[within reach my everest story paperback barnes noble](#) - May 17 2022

web summary chapter two shifts away from krakauer and covers the history of everest and famous expeditions it begins in the year 1852 in dehra dun india the time and place

within reach my everest story by mark pfetzer publishers - Mar 27 2023

web jan 1 2000 mark pftzer jack galvin penguin young readers group jan 1 2000 juvenile nonfiction 240 pages in may 1996 the media scrambled to document the

within reach my everest story questions flashcards - Oct 22 2022

web aug 17 2012 within reach written in 1999 tells the story of a teenager who dreams of climbing mt everest his motivation is not to break a record although that comes into

within reach my everest story chapter summary pdf - Feb 11 2022

web came back home an inspiring story about where to go for inner strength when facing a tough decision a story about his wife sandy s part in his survival a story about what he

within reach my everest story pftzer mark archive org - Sep 20 2022

web within reach my everest story is an autobiographical account of mark pftzer s attempt to be the youngest person to climb mount everest since the book was completed

within reach my everest story by mark pftzer and jack galvin - Jul 31 2023

web a religious ritual where one tries to get as close to heaven as possible what are two things mark does that remind us he is a normal teenager eats junk food and thinks about girls

into thin air chapter 2 summary analysis sparknotes - Mar 15 2022

web in may 1996 the media scrambled to document the gripping story of sixteen year old mark pftzer s expedition to mount everest not only was he the youngest climber ever to

mockingjay extra large print help environment harvard edu - Aug 05 2022

web extra large print and numerous book collections from fictions to scientific research in any way in the course of them is this mockingjay extra large print that can be your partner the hunger pains the harvard lampoon

mockingjay tops all national bestseller lists with sales of more - Feb 11 2023

web in addition scholastic announced that it has gone back to press for an additional 400 000 copies bringing the total number of copies in print for mockingjay in the u s to 1 6 million since its publication on august 24 2010

mockingjay logo png vectors free download seeklogo - Sep 06 2022

web mockingjay logo png vectors we have 2 free mockingjay logo png transparent logos vector logos logo templates and icons you can download in png svg ai eps cdr formats

mockingjay logo png vector eps free download - Dec 09 2022

web mockingjay logo png advertisement download the mockingjay logo vector file in eps png format encapsulated postscript designed by lions gate films the total size of the downloadable vector file is 1 2 mb and it contains the mockingjay logo in eps format along with the png image

[mockingjay extra large print](#) - Aug 17 2023

web [mockingjay extra large print](#) downloaded from [textra.com](#) by guest [aguilar sutton](#) the hunger games scholastic inc here are 112 of the most popular and economic blueprints of the early 20th century plus an illustration or photograph of each completed house a wonderful time capsule that still offers a wealth of valuable insights

[hunger games director regrets splitting mockingjay into two](#) - May 02 2022

web [oct 13 2023](#) [hunger games mockingjay director francis lawrence](#) said that he now understands the mixed reactions to the final book being divided into two films during an interview with [people magazine](#)

[mockingjay extra large print 2023 cyberlab sutd.edu.sg](#) - Mar 12 2023

web [boards with plenty of room to write the answer extra large print with 8 inch x 10 inch paper size and one puzzle per page extra large print codeword puzzles may 03 2022](#) welcome to these new extra large print codeword puzzles the game is similar to crossword puzzles but without clues instead each letter a z is

[mockingjay study guide literature guide litcharts](#) - Jun 03 2022

web [aug 24 2010](#) the best study guide to [mockingjay](#) on the planet from the creators of [sparknotes](#) get the summaries analysis and quotes you need

[mockingjay hunger games series large print large print by](#) - Oct 19 2023

web [shop mockingjay hunger games series large print large print by suzanne collins at target](#) choose from same day delivery drive up or order pickup free standard shipping with 35 orders [mockingjay hunger games series large print large print by suzanne collins 29.99](#) when purchased online pre order preorder now

[mockingjay extra large print eventos parquesreunidos.com](#) - Feb 28 2022

web [2 mockingjay extra large print 2022 07 29](#) the [panem companion](#) gives fresh insight into [suzanne collins](#) trilogy by looking at the world of the hunger games and the forces that kept its citizens divided since the first rebellion with a blend of academic insight and true fan passion [v arrow](#) explores how [panem](#) could have evolved from the

[mockingjay the hunger games amazon.com](#) - Sep 18 2023

web [mar 16 2012](#) [paperback large print march 16 2012](#) the capitol is angry that [katniss everdeen](#) has survived the hunger games twice stirring unrest by having defied the rules and president [snow](#) has made it clear that she her family and friends and the people of district 12 may all be held accountable

[download free mockingjay extra large print pdf](#) - Apr 01 2022

web [download and install the mockingjay extra large print pdf](#) it is unconditionally easy then since currently we extend the link to purchase and make bargains to download and install [mockingjay extra large print pdf](#) correspondingly simple outlawed

mockingjay wikipedia - Apr 13 2023

web the book had a 1 2 million copy first printing that was bumped up from 750 000 in its first week of release the book sold over 450 000 copies following this scholastic printed an additional 400 000 copies bringing the initial print run up to 1 6 million

mockingjay logo png vector eps free download seeklogo - Jan 10 2023

web mockingjay logo png vector transparent download free mockingjay vector logo and icons in png svg ai eps cdr formats
how to make a mockingjay pin with pictures wikihow - Nov 08 2022

web apr 19 2023 cut a square of your wax paper so that it is big enough to overlap the image of the mockingjay you will be tracing lay your square of wax paper atop the image and then use your permanent marker to outline the perimeter of your mockingjay pin image onto the wax paper

mockingjay logo download png icon ape - Oct 07 2022

web mockingjay logo logo vector mockingjay logo icon download as svg transparent png psd pdf ai vector free users also downloaded these svg logos gnt logo hbo family logo ordralfabetix logo super pig logo the oprah magazine logo similar logos

mockingjay large print edition indigo - Jul 16 2023

web mockingjay large print edition brand null sub brand null type null life stage null appropriate for ages 9 12 years gender null shipping dimensions 8 h x 6 w x 1 l size null size null color null colour family null style null languages english microwave safe null genre null dishwasher safe null assembly

hunger games party how to s with free printables - Jun 15 2023

web mar 12 2015 the mockingjay symbol is a key feature of the hunger games so where would our party be without it i used the symbol as a stencil three ways 1 i stencilled tote bags with the symbol for prizes 2 i stencilled the

mockingjay best 3d printing models 14 designs to download - May 14 2023

web discover 3d models for 3d printing related to mockingjay download your favorite stl files and make them with your 3d printer have a good time

mike le page returns with the 3d printed mockingjay - Jul 04 2022

web jun 30 2017 3d printed electronics 2023 market study forecast october 13 2023 report amr 3dp elect 1023