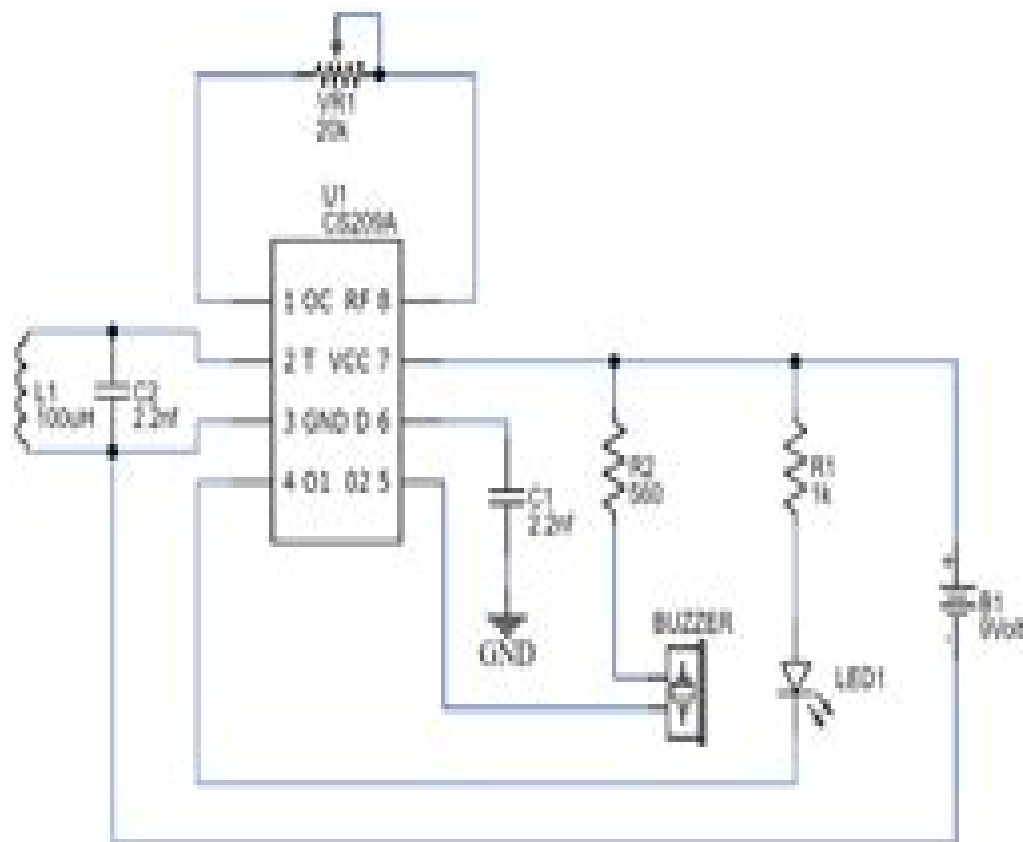


Metal Detector Circuit



Metal Detector Circuit With Diagram And Schematic

G Psacharopoulos



Metal Detector Circuit With Diagram And Schematic:

Yeah, reviewing a books **Metal Detector Circuit With Diagram And Schematic** could build up your close connections listings. This is just one of the solutions for you to be successful. As understood, attainment does not recommend that you have astonishing points.

Comprehending as with ease as contract even more than extra will have enough money each success. neighboring to, the message as capably as keenness of this Metal Detector Circuit With Diagram And Schematic can be taken as capably as picked to act.

<https://py.bijouxmedusa.com/data/scholarship/Documents/Curriculum%20Vitae%20Roberto%20Guerra.pdf>

Table of Contents Metal Detector Circuit With Diagram And Schematic

1. Understanding the eBook Metal Detector Circuit With Diagram And Schematic
 - The Rise of Digital Reading Metal Detector Circuit With Diagram And Schematic
 - Advantages of eBooks Over Traditional Books
2. Identifying Metal Detector Circuit With Diagram And Schematic
 - Exploring Different Genres
 - Considering Fiction vs. Non-Fiction
 - Determining Your Reading Goals
3. Choosing the Right eBook Platform
 - Popular eBook Platforms
 - Features to Look for in an Metal Detector Circuit With Diagram And Schematic
 - User-Friendly Interface
4. Exploring eBook Recommendations from Metal Detector Circuit With Diagram And Schematic
 - Personalized Recommendations
 - Metal Detector Circuit With Diagram And Schematic User Reviews and Ratings
 - Metal Detector Circuit With Diagram And Schematic and Bestseller Lists
5. Accessing Metal Detector Circuit With Diagram And Schematic Free and Paid eBooks

- Metal Detector Circuit With Diagram And Schematic Public Domain eBooks
 - Metal Detector Circuit With Diagram And Schematic eBook Subscription Services
 - Metal Detector Circuit With Diagram And Schematic Budget-Friendly Options
6. Navigating Metal Detector Circuit With Diagram And Schematic eBook Formats
 - ePub, PDF, MOBI, and More
 - Metal Detector Circuit With Diagram And Schematic Compatibility with Devices
 - Metal Detector Circuit With Diagram And Schematic Enhanced eBook Features
 7. Enhancing Your Reading Experience
 - Adjustable Fonts and Text Sizes of Metal Detector Circuit With Diagram And Schematic
 - Highlighting and Note-Taking Metal Detector Circuit With Diagram And Schematic
 - Interactive Elements Metal Detector Circuit With Diagram And Schematic
 8. Staying Engaged with Metal Detector Circuit With Diagram And Schematic
 - Joining Online Reading Communities
 - Participating in Virtual Book Clubs
 - Following Authors and Publishers Metal Detector Circuit With Diagram And Schematic
 9. Balancing eBooks and Physical Books Metal Detector Circuit With Diagram And Schematic
 - Benefits of a Digital Library
 - Creating a Diverse Reading Collection Metal Detector Circuit With Diagram And Schematic
 10. Overcoming Reading Challenges
 - Dealing with Digital Eye Strain
 - Minimizing Distractions
 - Managing Screen Time
 11. Cultivating a Reading Routine Metal Detector Circuit With Diagram And Schematic
 - Setting Reading Goals Metal Detector Circuit With Diagram And Schematic
 - Carving Out Dedicated Reading Time
 12. Sourcing Reliable Information of Metal Detector Circuit With Diagram And Schematic
 - Fact-Checking eBook Content of Metal Detector Circuit With Diagram And Schematic
 - Distinguishing Credible Sources
 13. Promoting Lifelong Learning
 - Utilizing eBooks for Skill Development

- Exploring Educational eBooks
14. Embracing eBook Trends
- Integration of Multimedia Elements
 - Interactive and Gamified eBooks

Metal Detector Circuit With Diagram And Schematic Introduction

In today's digital age, the availability of Metal Detector Circuit With Diagram And Schematic books and manuals for download has revolutionized the way we access information. Gone are the days of physically flipping through pages and carrying heavy textbooks or manuals. With just a few clicks, we can now access a wealth of knowledge from the comfort of our own homes or on the go. This article will explore the advantages of Metal Detector Circuit With Diagram And Schematic books and manuals for download, along with some popular platforms that offer these resources. One of the significant advantages of Metal Detector Circuit With Diagram And Schematic books and manuals for download is the cost-saving aspect. Traditional books and manuals can be costly, especially if you need to purchase several of them for educational or professional purposes. By accessing Metal Detector Circuit With Diagram And Schematic versions, you eliminate the need to spend money on physical copies. This not only saves you money but also reduces the environmental impact associated with book production and transportation. Furthermore, Metal Detector Circuit With Diagram And Schematic books and manuals for download are incredibly convenient. With just a computer or smartphone and an internet connection, you can access a vast library of resources on any subject imaginable. Whether you're a student looking for textbooks, a professional seeking industry-specific manuals, or someone interested in self-improvement, these digital resources provide an efficient and accessible means of acquiring knowledge. Moreover, PDF books and manuals offer a range of benefits compared to other digital formats. PDF files are designed to retain their formatting regardless of the device used to open them. This ensures that the content appears exactly as intended by the author, with no loss of formatting or missing graphics. Additionally, PDF files can be easily annotated, bookmarked, and searched for specific terms, making them highly practical for studying or referencing. When it comes to accessing Metal Detector Circuit With Diagram And Schematic books and manuals, several platforms offer an extensive collection of resources. One such platform is Project Gutenberg, a nonprofit organization that provides over 60,000 free eBooks. These books are primarily in the public domain, meaning they can be freely distributed and downloaded. Project Gutenberg offers a wide range of classic literature, making it an excellent resource for literature enthusiasts. Another popular platform for Metal Detector Circuit With Diagram And Schematic books and manuals is Open Library. Open Library is an initiative of the Internet Archive, a non-profit organization dedicated to digitizing cultural artifacts and making them accessible to the public. Open Library hosts millions of books, including both public domain works and contemporary titles. It

also allows users to borrow digital copies of certain books for a limited period, similar to a library lending system. Additionally, many universities and educational institutions have their own digital libraries that provide free access to PDF books and manuals. These libraries often offer academic texts, research papers, and technical manuals, making them invaluable resources for students and researchers. Some notable examples include MIT OpenCourseWare, which offers free access to course materials from the Massachusetts Institute of Technology, and the Digital Public Library of America, which provides a vast collection of digitized books and historical documents. In conclusion, Metal Detector Circuit With Diagram And Schematic books and manuals for download have transformed the way we access information. They provide a cost-effective and convenient means of acquiring knowledge, offering the ability to access a vast library of resources at our fingertips. With platforms like Project Gutenberg, Open Library, and various digital libraries offered by educational institutions, we have access to an ever-expanding collection of books and manuals. Whether for educational, professional, or personal purposes, these digital resources serve as valuable tools for continuous learning and self-improvement. So why not take advantage of the vast world of Metal Detector Circuit With Diagram And Schematic books and manuals for download and embark on your journey of knowledge?

FAQs About Metal Detector Circuit With Diagram And Schematic Books

How do I know which eBook platform is the best for me? Finding the best eBook platform depends on your reading preferences and device compatibility. Research different platforms, read user reviews, and explore their features before making a choice. Are free eBooks of good quality? Yes, many reputable platforms offer high-quality free eBooks, including classics and public domain works. However, make sure to verify the source to ensure the eBook credibility. Can I read eBooks without an eReader? Absolutely! Most eBook platforms offer web-based readers or mobile apps that allow you to read eBooks on your computer, tablet, or smartphone. How do I avoid digital eye strain while reading eBooks? To prevent digital eye strain, take regular breaks, adjust the font size and background color, and ensure proper lighting while reading eBooks. What the advantage of interactive eBooks? Interactive eBooks incorporate multimedia elements, quizzes, and activities, enhancing the reader engagement and providing a more immersive learning experience. Metal Detector Circuit With Diagram And Schematic is one of the best book in our library for free trial. We provide copy of Metal Detector Circuit With Diagram And Schematic in digital format, so the resources that you find are reliable. There are also many Ebooks of related with Metal Detector Circuit With Diagram And Schematic. Where to download Metal Detector Circuit With Diagram And Schematic online for free? Are you looking for Metal Detector Circuit With Diagram And Schematic PDF? This is definitely going to save you time and cash in something you should think about.

Find Metal Detector Circuit With Diagram And Schematic :

[curriculum vitae roberto guerra](#)

damodar gujarati econometrics by example paperback

david simchi levi pdf of supllly chain mgt

death and the kings horseman a play wole soyinka

denso diesel injection pump repair manual

dead mans island john escott

[descargar curso de ingles definitivo torrent](#)

[daewoo doosan dx225lc excavator service shop manuals pdf](#)

[dbq 6 spread of islamic civilization answers](#)

[daily excelsior newspaper](#)

cysts of the oral and maxillofacial regions by mervyn shear

~~daily science practice grade 2 evan moor astickore~~

~~cybercrime criminal threats from cyberspace crime media and popular culture~~

dcs range user manual lokallutions

[david lanz painting the sun](#)

Metal Detector Circuit With Diagram And Schematic :

issues in 21st century world politics google books - Aug 24 2023

web introduction issues in world politics an introduction mark beeson and nick bisley 1 rising powers and the return of geopolitics nick bisley 2 ways of war in the 21st

issues in 21st century world politics open library - Apr 08 2022

web sep 1 2012 issues in 21st century world politics by mark beeson and nick bisley eds basingstoke palgrave macmillan 2010 302pp 24 99 isbn 9780230594524

[issues in 21st century world politics wiley online library](#) - Feb 18 2023

web summary this text introduces the key issues that shape the nature of the international system and global politics in the 21st century it offers a modern approach to the

book review international relations issues in 21st century - Feb 06 2022

web feb 1 1988 volume 20 issue 1 february 1988 pages 46 53 world politics towards the 21st century yehezkel dror add to

mendeley doi org 10 1016 0016 3287

world politics towards the 21st century sciencedirect - Dec 04 2021

web oct 13 2023 the six day war was a spectacular military success for israel its capture of all of jerusalem and newly acquired control over the biblical lands called judea and

issues in 21st century world politics an introduction - Jan 17 2023

web issues in 21st century world politics publication date 2010 topics international relations world politics 21st century publisher basingstoke new york palgrave

issues in 21st century world politics 3rd ed ebooks com - Jan 05 2022

web oct 19 2023 the deadly blast in gaza at ahli arab hospital on the evening of october 17th killed many palestinians who were taking shelter despite strong evidence that their

issues in 21st century world politics open library - Oct 14 2022

web aug 7 2012 based on issues in 21st century world politics by beeson mark and bisley nick eds basingstoke palgrave macmillan 2010 302pp 24 99 isbn 9780230594524

issues in 21st century world politics bloomsbury - Apr 20 2023

web aug 7 2012 issues in 21st century world politics edited by mark beeson and nick bisley global politics a new introduction edited by jenny edkins and maja zehfuss

issues in 21st century world politics amazon co uk - Jul 11 2022

web global politics in the 21st century objective critical optimistic and with a global focus this textbook combines international relations theory history up to date research and

book review international relations issues in 21st century - Aug 12 2022

web 17 apr 2013 tl dr the second edition of this popular text as mentioned in this paper provides an incisive and accessible survey of the key issues in world politics including

issues in 21st century world politics google books - Mar 19 2023

web jan 1 2017 issues in 21st century world politics an introduction request pdf issues in 21st century world politics an introduction authors mark beeson university of

issues in 21st century world politics worldcat org - Jul 23 2023

web nov 28 2016 in a world where all the signposts seem to be disappearing where the novel and the unexpected have become the norm this most readable and

issues in 21st century world politics request pdf researchgate - Mar 07 2022

web fully revised the second edition of this popular text provides an incisive and accessible survey of the key issues in world

politics written by an international team of experts

issues in 21st century world politics worldcat org - Dec 16 2022

web feb 28 2023 *issues in 21st century world politics second edition* by mark beeson 0 ratings 0 want to read 0 currently reading 0 have read this edition doesn't have a

issues in 21st century world politics amazon com - May 21 2023

web may 15 2010 *issues in 21st century world politics* mark beeson nick bisley palgrave macmillan may 15 2010 political science 304 pages from climate change and

what are the roots of the israel palestine conflict - Oct 02 2021

issues in 21st century world politics scispace by typeset - Jun 10 2022

web jan 15 2023 *issues in 21st century world politics* by mark beeson 0 ratings 0 want to read 0 currently reading 0 have read this edition doesn't have a description yet can

pdf issues in 21st century world politics academia edu - Sep 25 2023

web mar 4 2017 they place this text within the context of the key questions that arise from these issues to what extent can policy makers cope with fundamental changes to

issues in 21st century world politics 3rd edition kindle edition - Sep 01 2021

only america can save israel and gaza from greater catastrophe - Nov 03 2021

web nov 28 2016 *issues in 21st century world politics kindle edition* by beeson mark bisley nick download it once and read it on your kindle device pc phones or tablets

issues in 21st century world politics free download borrow and - Jun 22 2023

web introduction *issues in world politics* an introduction mark beeson and nick bisley 1 rising powers and the return of geopolitics nick bisley 2 ways of war in the 21st

issues in 21st century world politics worldcat org - Sep 13 2022

web buy *issues in 21st century world politics 3rd ed 2017* by beeson mark bisley nick isbn 9781137589019 from amazon s book store everyday low prices and free

global politics in the 21st century cambridge university press - May 09 2022

web request pdf on jan 1 2017 mark beeson and others published *issues in 21st century world politics* find read and cite all the research you need on researchgate

issues in 21st century world politics free download borrow and - Nov 15 2022

web issues in 21st century world politics an introduction mark beeson and nick bisley br emerging powers and the changing global landscape nick

usmle step 2 ck lecture notes 2017 internal medicine - May 12 2023

web sep 6 2016 the official kaplan lecture notes for usmle step 2 ck cover the comprehensive information you need to ace the usmle step 2 and match into the residency of your choice up to date updated

kaplan internal medicine videos 2023 usmle step 2 ck free - Dec 27 2021

web mar 25 2023 kaplan internal medicine lectures videos 2023 note single download link include the following subject videos preventive medicine endocrinology rheumatology gastroenterology cardiology hematology infectious disease nephrology pulmonology emergency medicine neurology dermatology radiology and ophthalmology

usmle step 2 ck lecture notes 2021 internal medicine google - Jun 13 2023

web usmle step 2 ck lecture notes 2021 internal medicine kaplan medical 2020 clinical medicine 503 pages the official kaplan lecture notes for usmle step 2 ck cover the

usmle step 3 lecture notes 2021 2022 internal medicine - Apr 11 2023

web apr 6 2021 kaplan medical simon and schuster apr 6 2021 medical 492 pages the only official kaplan lecture notes for usmle step 3 cover the comprehensive information you need to ace the

kaplan medicine academy usmle board videos - Apr 30 2022

web kaplan medicine academy usmle board videos skip to content wednesday august 30 2023 infectious disease review course 2023 high yield med reviews videos ebook ean 2023 9th congress of the european academy of neurology 2023 acp washington dc internal medicine board review 2023 acp chicago internal

kaplan internal medicine pdf 2023 free download medical - Jul 14 2023

web aug 7 2023 the official kaplan lecture notes for usmle step 2 ck cover the comprehensive information you need to ace the usmle step 2 and match into the residency of your choice up to date updated annually by kaplan s all star faculty highly illustrated includes color images and tables integrated

usmle step 2 ck lecture notes 2021 internal medicine pdf - Aug 15 2023

web sep 1 2020 the official kaplan lecture notes for usmle step 2 ck cover the comprehensive information you need to ace the usmle step 2 and match into the residency of your choice up to date updated annually by kaplan s all star faculty

kaplan step 2 ck internal medicine pdf download afratafreeh - Jun 01 2022

web may 12 2020 the official kaplan lecture notes for usmle step 2 ck cover the comprehensive information you need to ace the usmle step 2 and match into the residency of your choice up to date updated annually by kaplan s all star faculty highly illustrated includes color images and tables integrated

[kaplan usmle step 2 ck lecture notes 2021 internal medicine](#) - Oct 05 2022

web kaplan usmle step 2 ck lecture notes 2021 internal medicine is a part of 5 book set kaplan medical s usmle step 2 ck lecture notes 2021 the only set on the market that offers a comprehensive yet concise review of usmle step 2 ck exam topics

clinical internal medicine review 2023 by kaplan medical scribd - Jan 08 2023

web clinical internal medicine review 2023 by kaplan medical ebook scribd enjoy millions of ebooks audiobooks magazines and more with a free trial only 11 99 month after trial cancel anytime ebook 1 099 pages 27 hours clinical internal medicine review 2023 for usmle step 2 ck and comlex usa level 2 show full title by kaplan medical

[kaplan lecture notes medicine academy usmle board videos](#) - Feb 26 2022

web internal medicine surgery neurology nephrology obstetrics and gynecology rheumatology radiology

[usmle step 2 ck books kaplan test prep](#) - Jul 02 2022

web buy on amazon usmle step 2 ck lecture notes 2021 5 book set the only set on the market that offers a comprehensive yet concise review of usmle step 2 ck exam topics includes internal medicine

kaplan lecture notes 2019 internal medicine academia edu - Aug 03 2022

web approach to internal medicine is meant to be a practical field guide dosages of medications are provided for quick reference only readers should consult other resources before applying information in this manual for direct patient care

clinical internal medicine review 2023 by kaplan medical ebook - Sep 04 2022

web the official kaplan lecture notes for usmle step 2 ck cover the comprehensive information you need to ace the usmle step 2 and match into the residency of your choice up to date updated annually by kaplan s all star faculty highly illustrated includes color images and tables

usmle step 2 ck lecture notes 2019 internal medicine - Mar 10 2023

web oct 2 2018 the only official kaplan lecture notes for usmle step 2 ck cover the comprehensive information you need to ace the usmle step 2 and match into the residency of your choice up to date updated

usmle step 2 ck lecture notes 2021 internal medicine 1 ed - Jan 28 2022

web usmle step 2 ck lecture notes 2021 internal medicine 1 ed 150626137x 9781506261409 9781506261379 the official kaplan lecture notes for usmle step 2 ck cover the comprehensive information you need to

usmle step 2 ck lecture notes 2021 internal medicine perlego - Feb 09 2023

web the official kaplan lecture notes for usmle step 2 ck cover the comprehensive information you need to ace the usmle step 2 and match into the residency of your choice up to date updated annually by kaplan s all star faculty highly illustrated includes color images and tables

clinical internal medicine review 2023 ebook by kaplan medical - Nov 06 2022

web the official kaplan lecture notes for usmle step 2 ck cover the comprehensive information you need to ace the usmle step 2 and match into the residency of your choice up to date updated annually by kaplan s all star faculty highly illustrated includes color images and tables integrated packed with bridges between specialities and basic

[usmle step 2 ck lecture notes 2021 internal medicine pdf](#) - Mar 30 2022

web nov 20 2020 internal medicine the best review from the same team that releases usmle step 1 lecture notes revised every year by kaplan s all star expert faculty 450 color images similar to those on the exam structured format calling out high yield topics in the context bridges between specialties and basic science about the author

[usmle step 2 ck lecture notes 2021 internal medicine](#) - Dec 07 2022

web kaplan medical simon and schuster sep 1 2020 study aids 512 pages always study with the most up to date prep look for usmle step 2 ck lecture notes 2022 internal medicine isbn 9781506271217 on sale november 2 2021

[award script sample pdf](#) - Apr 16 2023

web the following students have successfully completed a career academy and today tonight we are honoring their accomplishment with an official bridges academy certificate of completion and a green honor cord to wear at their high school graduation read each student s name name of academy keep a steady succinct pace

speech by mrs mary seah principal school of the arts sota awards - Dec 12 2022

web never too small to dream we tell our students that they are never too small to dream on this special occasion we celebrate the academic artistic and affective achievements of our students through the holistic arts anchored education here they have found purpose and a reason to nurture their creative energies

award speech and the winner is public speaking whatcom - Mar 15 2023

web in this chapter i will teach you the five step process on how to give an award i will share with you practical things to think about in terms of setup and execution and finally i will share with you ways to elevate this speech to a

[academic achievement award speech for students 2023](#) - Aug 20 2023

web academic achievement award speech for students student clashes on campus aug 03 2021 this book unpacks the tension between free speech and the social justice priority to support all students drawing on court cases institutional policies and

award receiving speech for students thank you speech in - Nov 11 2022

web mar 8 2023 award receiving speech from students and children this is a moment of honour in my life i m deeply grateful for what i have received ladies and gentlemen my heartfelt welcome to one and all gathered here today on this gracious occasion i m privileged to deliver my award acceptance speech in front of you all

[seniors awards speeches orientation sutd edu sg](#) - Jul 07 2022

web my speech to students at the awards ceremony teaching in how to write an achievement award speech bizfluent

celebration of student academic excellence ub office of 2 senior awards night hhs senior class google sites 5 ways to say goodbye to your graduating students edutopia speech examples speeches instant speech

lifetime achievement award speech examples 2023 - Feb 14 2023

web lifetime achievement award speech examples beliefs about good public speaking oct 13 2020 make a good speech feb 26 2022 these are the moves that make the mind work and students must learn if they re to achieve academically with academic moves jim and barry distill each of

speech day 2021 celebrating outstanding student achievement - Oct 10 2022

web jun 28 2021 speech day 2021 celebrating outstanding student achievement jun 28 2021 tags news and events dulwich college shanghai puxi this year s speech day celebrations took place on wednesday 23 june speech day is a long standing dulwich tradition which takes place at the end of every academic year

free introducing achievement award speech - Jan 13 2023

web students an exceptional foundation for creating and delivering their speeches including the latest research numerous in text activities more techniques to help them address anxiety and ethical issues that speakers face new critical thinking and reflection prompts that help students think logically about the speech making process and much

thank you speech for award for students and children - Jun 06 2022

web it is hard to put this feeling into words nevertheless i am very glad to deliver my speech on such an important and momentous occasion in my life it is a huge honor for me to receive this award for being the employee of the year read thank you speech for award here

american speech language hearing foundation fellowships - Mar 03 2022

web apr 15 2019 the ashfoundation offers various research grants student scholarships and clinical achievement awards each year to students researchers and postdocs for work related to supporting innovation in communication sciences next earliest deadline is may 8 2019 see details for different opportunities and applicable deadlines

simple english speech for the award ceremony for students - Sep 09 2022

web simple english speech for the award ceremony for students and children learn the parts of speech with examples in english and how to write a motivational english speech for the award ceremony speech writing

example speech for young academic awards ceremony the - Oct 22 2023

web findaspeech 2020 10 14 education motivational a very good morning to our school staff parents and students i feel really honored in sharing with you the achievements of our hard working young students this is an occasion of pride for all of us as we have come together to celebrate this auspicious day speech for academic awards ceremony

scri 3rd annual scientific symposium - May 05 2022

web the singapore clinical research institute scri will be hosting its 3rd annual scientific symposium this year the event will be held at the conrad centennial singapore on tuesday 29 august 2017 8 00 a m the symposium will begin with the launch ceremony of a national learning and development programme framework for clinical research

award speech 16 examples format sample - Jun 18 2023

web the speech they deliver is called as an award acceptance and award presentation speech when it is your time to receive an award you might have a difficulty in writing your award acceptance speech and the same thing goes when you would be awarding someone this article gives you ten award acceptance and ten awards presentation speech examples

award speech and the winner is advanced public speaking - Jul 19 2023

web 30 award speech and the winner is lynn meade people in leadership have the privilege of recognizing the achievement of others by giving them awards this is an important moment and you want to help make it special

academic achievement award speech for students - Aug 08 2022

web neighboring to the declaration as with ease as acuteness of this academic achievement award speech for students can be taken as well as picked to act 2015 u s higher education faculty awards vol 2 faculty awards 2022 09 01 created by professors for professors the faculty awards compendium is the first and only university awards

academic award speeches orientation sutd edu - Apr 04 2022

web awards presentation speech examples that can help you in creating your own speech for one of your most memorable moment of your life an award acceptance speech example an inspiring heartfelt thank you speech by zambian birdland school principal olive mumba speech from the principal at the student awards for higher education students at

award ceremony speech 11 examples format sample - May 17 2023

web 1 award ceremony speech template 2 award ceremony presentation speech 11 award ceremony speech examples 1 award ceremony speech template colloquydowneast org details file format pdf size 78 kb download 2 award ceremony presentation speech greekfilmfestchicago org details file format pdf size 288 kb

[speech on academic achievement award aspiringyouths com](#) - Sep 21 2023

web sep 24 2023 good day everyone we are here to talk about something very special the academic achievement award this is an award that praises students who work hard and do well in their studies this award is important because it shows us that hard work pays off when a student studies hard reads their books and does their homework they learn a lot