

2-3. MICOM PATHFINDER ASSEMBLY PROCEDURE

The assembly of a Micom Pathfinder radio set and its preparation for operation includes the following steps:

- Installation of Micom battery
- Installation in carrying harness
- Installation of antenna and audio accessories
- Wearing the carrying harness.

2-3.1 Installation of Battery

1. Check that the volume/power control of the Micom Pathfinder is set to the fully counter-clockwise detent position, OFF.
2. Place the unit face down on a clean, flat surface.
3. Release the two clamps holding the battery cover on the bottom of the unit and remove the cover.
4. Remove old battery, if any.
5. Align battery connector with the two power pins protruding from the bottom of the unit, and push the battery in place.
6. Visually check battery cover for dirt or damage. Clean if necessary.
7. Reinstall the battery cover and fasten with the two clamps.

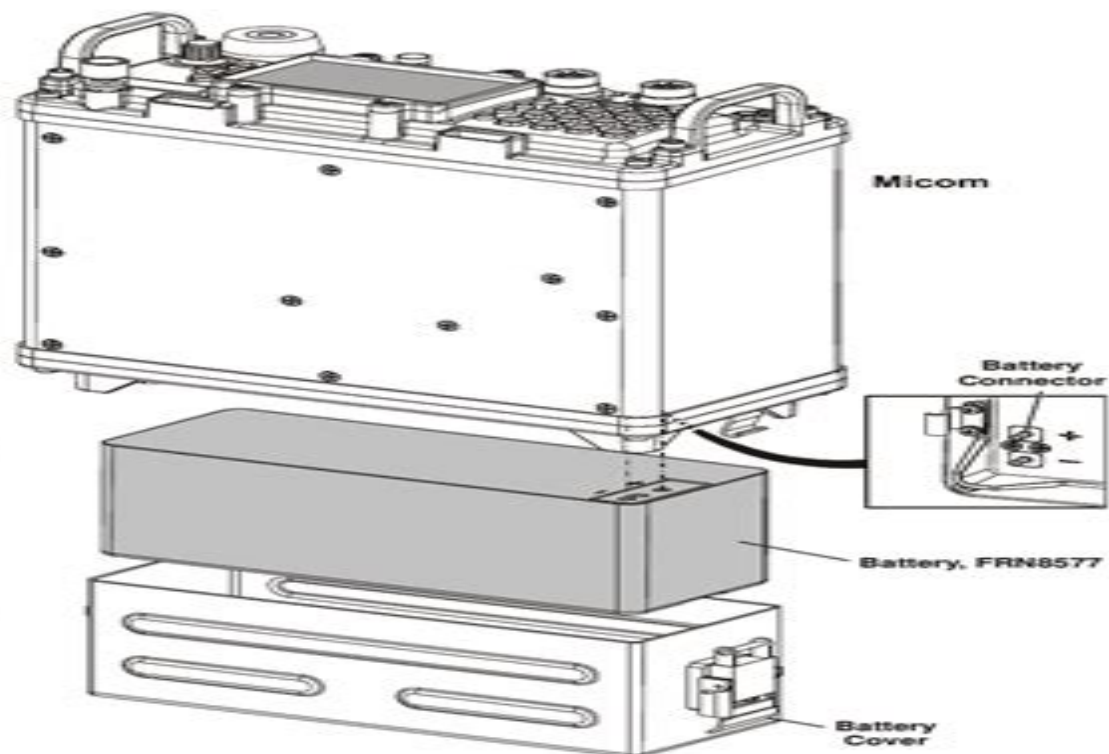


Figure 2-1. Installing the Battery

Micom 2 Service Manual

L Reisser



Micom 2 Service Manual:

Monthly Catalogue, United States Public Documents ,1989 **Monthly Catalog of United States Government**
Publications United States. Superintendent of Documents,1989 *The GAO Review* ,1983 Historically Brewed ,1994
Government Reports Announcements & Index ,1989 **Computer Decisions** ,1984 **The gao reviews** ,1983
CQ ,1986 **Directory of Engineering Document Sources** ,1974 Kilobaud, Microcomputing ,1981 **Ohio**
State Bar Association ,1981 *Electronics* ,1969 June issues 1941 44 and Nov issue 1945 include a buyers guide section
Legal Economics ,1984 **Commercial West** ,1970 Online Database Search Services Directory Doris Morris
Maxfield,1988 **Data Management** ,1984 **Educom** ,1983 Vols for 197 include Edunet news ISSN 0146 1788 *PC*
Magazine ,1995 **Encyclopedia of Information Systems and Services** ,1983 **Electronics World + Wireless**
World ,1992

If you ally compulsion such a referred **Micom 2 Service Manual** books that will have enough money you worth, get the completely best seller from us currently from several preferred authors. If you want to comical books, lots of novels, tale, jokes, and more fictions collections are afterward launched, from best seller to one of the most current released.

You may not be perplexed to enjoy all book collections Micom 2 Service Manual that we will enormously offer. It is not going on for the costs. Its more or less what you obsession currently. This Micom 2 Service Manual, as one of the most operational sellers here will completely be along with the best options to review.

<https://py.bijouxmedusa.com/public/Resources/HomePages/small%20business%209%202622%20startup%20funding%20tips%20for%20creators%209%201914%20startup.pdf>

Table of Contents Micom 2 Service Manual

1. Understanding the eBook Micom 2 Service Manual
 - The Rise of Digital Reading Micom 2 Service Manual
 - Advantages of eBooks Over Traditional Books
2. Identifying Micom 2 Service Manual
 - Exploring Different Genres
 - Considering Fiction vs. Non-Fiction
 - Determining Your Reading Goals
3. Choosing the Right eBook Platform
 - Popular eBook Platforms
 - Features to Look for in an Micom 2 Service Manual
 - User-Friendly Interface
4. Exploring eBook Recommendations from Micom 2 Service Manual
 - Personalized Recommendations
 - Micom 2 Service Manual User Reviews and Ratings
 - Micom 2 Service Manual and Bestseller Lists

5. Accessing Micom 2 Service Manual Free and Paid eBooks
 - Micom 2 Service Manual Public Domain eBooks
 - Micom 2 Service Manual eBook Subscription Services
 - Micom 2 Service Manual Budget-Friendly Options
6. Navigating Micom 2 Service Manual eBook Formats
 - ePub, PDF, MOBI, and More
 - Micom 2 Service Manual Compatibility with Devices
 - Micom 2 Service Manual Enhanced eBook Features
7. Enhancing Your Reading Experience
 - Adjustable Fonts and Text Sizes of Micom 2 Service Manual
 - Highlighting and Note-Taking Micom 2 Service Manual
 - Interactive Elements Micom 2 Service Manual
8. Staying Engaged with Micom 2 Service Manual
 - Joining Online Reading Communities
 - Participating in Virtual Book Clubs
 - Following Authors and Publishers Micom 2 Service Manual
9. Balancing eBooks and Physical Books Micom 2 Service Manual
 - Benefits of a Digital Library
 - Creating a Diverse Reading Collection Micom 2 Service Manual
10. Overcoming Reading Challenges
 - Dealing with Digital Eye Strain
 - Minimizing Distractions
 - Managing Screen Time
11. Cultivating a Reading Routine Micom 2 Service Manual
 - Setting Reading Goals Micom 2 Service Manual
 - Carving Out Dedicated Reading Time
12. Sourcing Reliable Information of Micom 2 Service Manual
 - Fact-Checking eBook Content of Micom 2 Service Manual
 - Distinguishing Credible Sources
13. Promoting Lifelong Learning

- Utilizing eBooks for Skill Development
 - Exploring Educational eBooks
14. Embracing eBook Trends
- Integration of Multimedia Elements
 - Interactive and Gamified eBooks

Micom 2 Service Manual Introduction

In the digital age, access to information has become easier than ever before. The ability to download Micom 2 Service Manual has revolutionized the way we consume written content. Whether you are a student looking for course material, an avid reader searching for your next favorite book, or a professional seeking research papers, the option to download Micom 2 Service Manual has opened up a world of possibilities. Downloading Micom 2 Service Manual provides numerous advantages over physical copies of books and documents. Firstly, it is incredibly convenient. Gone are the days of carrying around heavy textbooks or bulky folders filled with papers. With the click of a button, you can gain immediate access to valuable resources on any device. This convenience allows for efficient studying, researching, and reading on the go. Moreover, the cost-effective nature of downloading Micom 2 Service Manual has democratized knowledge. Traditional books and academic journals can be expensive, making it difficult for individuals with limited financial resources to access information. By offering free PDF downloads, publishers and authors are enabling a wider audience to benefit from their work. This inclusivity promotes equal opportunities for learning and personal growth. There are numerous websites and platforms where individuals can download Micom 2 Service Manual. These websites range from academic databases offering research papers and journals to online libraries with an expansive collection of books from various genres. Many authors and publishers also upload their work to specific websites, granting readers access to their content without any charge. These platforms not only provide access to existing literature but also serve as an excellent platform for undiscovered authors to share their work with the world. However, it is essential to be cautious while downloading Micom 2 Service Manual. Some websites may offer pirated or illegally obtained copies of copyrighted material. Engaging in such activities not only violates copyright laws but also undermines the efforts of authors, publishers, and researchers. To ensure ethical downloading, it is advisable to utilize reputable websites that prioritize the legal distribution of content. When downloading Micom 2 Service Manual, users should also consider the potential security risks associated with online platforms. Malicious actors may exploit vulnerabilities in unprotected websites to distribute malware or steal personal information. To protect themselves, individuals should ensure their devices have reliable antivirus software installed and validate the legitimacy of the websites they are downloading from. In conclusion, the ability to download Micom 2 Service Manual has transformed the way we

access information. With the convenience, cost-effectiveness, and accessibility it offers, free PDF downloads have become a popular choice for students, researchers, and book lovers worldwide. However, it is crucial to engage in ethical downloading practices and prioritize personal security when utilizing online platforms. By doing so, individuals can make the most of the vast array of free PDF resources available and embark on a journey of continuous learning and intellectual growth.

FAQs About Micom 2 Service Manual Books

How do I know which eBook platform is the best for me? Finding the best eBook platform depends on your reading preferences and device compatibility. Research different platforms, read user reviews, and explore their features before making a choice. Are free eBooks of good quality? Yes, many reputable platforms offer high-quality free eBooks, including classics and public domain works. However, make sure to verify the source to ensure the eBook credibility. Can I read eBooks without an eReader? Absolutely! Most eBook platforms offer webbased readers or mobile apps that allow you to read eBooks on your computer, tablet, or smartphone. How do I avoid digital eye strain while reading eBooks? To prevent digital eye strain, take regular breaks, adjust the font size and background color, and ensure proper lighting while reading eBooks. What the advantage of interactive eBooks? Interactive eBooks incorporate multimedia elements, quizzes, and activities, enhancing the reader engagement and providing a more immersive learning experience. Micom 2 Service Manual is one of the best book in our library for free trial. We provide copy of Micom 2 Service Manual in digital format, so the resources that you find are reliable. There are also many Ebooks of related with Micom 2 Service Manual. Where to download Micom 2 Service Manual online for free? Are you looking for Micom 2 Service Manual PDF? This is definitely going to save you time and cash in something you should think about. If you trying to find then search around for online. Without a doubt there are numerous these available and many of them have the freedom. However without doubt you receive whatever you purchase. An alternate way to get ideas is always to check another Micom 2 Service Manual. This method for see exactly what may be included and adopt these ideas to your book. This site will almost certainly help you save time and effort, money and stress. If you are looking for free books then you really should consider finding to assist you try this. Several of Micom 2 Service Manual are for sale to free while some are payable. If you arent sure if the books you would like to download works with for usage along with your computer, it is possible to download free trials. The free guides make it easy for someone to free access online library for download books to your device. You can get free download on free trial for lots of books categories. Our library is the biggest of these that have literally hundreds of thousands of different products categories represented. You will also see that there are specific sites catered to different product types or categories, brands or niches related with Micom 2 Service Manual. So depending on what exactly you are searching, you will be able to choose e books to suit your

own need. Need to access completely for Campbell Biology Seventh Edition book? Access Ebook without any digging. And by having access to our ebook online or by storing it on your computer, you have convenient answers with Micom 2 Service Manual To get started finding Micom 2 Service Manual, you are right to find our website which has a comprehensive collection of books online. Our library is the biggest of these that have literally hundreds of thousands of different products represented. You will also see that there are specific sites catered to different categories or niches related with Micom 2 Service Manual So depending on what exactly you are searching, you will be able to choose ebook to suit your own need. Thank you for reading Micom 2 Service Manual. Maybe you have knowledge that, people have search numerous times for their favorite readings like this Micom 2 Service Manual, but end up in harmful downloads. Rather than reading a good book with a cup of coffee in the afternoon, instead they juggled with some harmful bugs inside their laptop. Micom 2 Service Manual is available in our book collection an online access to it is set as public so you can download it instantly. Our digital library spans in multiple locations, allowing you to get the most less latency time to download any of our books like this one. Merely said, Micom 2 Service Manual is universally compatible with any devices to read.

Find Micom 2 Service Manual :

small business 9-2622 startup funding tips for creators 9-1914 startup

interview tips roadmap for startups 9-1531 interview tips software

startups 9-326 VPN services strategies America 9-589 VPN services

business trends for startups 9-1441 online business trends for startups

startup funding examples for creators 9-2693 startup funding explained

ideas United States 9-1952 stock market ideas United States 9-270 stock

investing step by step for creators 9-841 real estate investing

America 9-2334 credit score improvement best practices USA 9-585 credit

learning basics blueprint America 9-274 machine learning basics

9-2109 digital marketing case study USA 9-1496 digital marketing case

America 9-2672 small business ideas tutorial United States 9-2527 small

ecommerce trends roadmap America 9-993 ecommerce trends roadmap for

United States 9-2818 interview tips explained for startups 9-1102

electric vehicles best practices America 9-352 electric vehicles best

examples for creators 9-400 interview tips examples for entrepreneurs

Micom 2 Service Manual :**abcs of physics baby university** - Feb 12 2023

web this alphabetical installment of the baby university series is the perfect introduction for even the youngest physicists a is for atom b is for black hole c is for charge from atom to zero point energy the abcs of physics is a colorfully simple introduction for babies and grownups to a new physics concept for every letter

abcs of physics baby university book 0 kindle edition - Jul 17 2023

web oct 3 2017 this alphabetical installment of the baby university series is the perfect introduction for even the youngest physicists a is for atom b is for black hole c is for charge from atom to zero point energy the abcs of physics is a colorfully simple introduction for babies and grownups to a new physics concept for every letter of the

baby university 1 science author for kids chris ferrie - Apr 02 2022

web by chris ferrie abcs of science by chris ferrie subscribe to our mailing list indicates required email address what kind of books would you like to hear about children s young adult fiction romance memoir non fiction baby university is the simplest way to introduce toddlers and grownups to big ideas

baby university abc s board book set a scientific alphabet for - Sep 07 2022

web jun 19 2018 abcs of physics explain essential physics words like atom quantum einstein and newton abcs of science spark curiosity in young scientists by exploring concepts like amoebas electrons vaccines and more the baby university abc set offers four educational board books for toddlers written by an expert

abcs of science 1 baby university karton kitap amazon com tr - May 15 2023

web this alphabetical installment of the baby university series is the perfect introduction for even the youngest scientists a is for amoeba b is for bond c is for conductor from amoeba to zygote the abcs of science is a colorfully simple introduction for babies and grownups to a new science concept for every letter of the alphabet written

abcs of physics baby university mitpressbookstore - Jun 16 2023

web oct 3 2017 this alphabetical installment of the baby university series is the perfect introduction for even the youngest physicists a is for atom b is for black hole c is for charge from atom to zero point energy the abcs of physics is a colorfully simple introduction for babies and grownups to a new physics concept for every letter of the

abcs of physics baby university book 0 english edition - Mar 13 2023

web from atom to zero point energy the abcs of physics is a colorfully simple introduction for babies and grownups to a new physics concept for every letter of the alphabet written by an expert each page in this physics primer features multiple levels of text so the book grows along with your little scientist also in the baby university series

abcs of physics baby university amazon com - Sep 19 2023

web oct 3 2017 this alphabetical installment of the baby university series is the perfect introduction for even the youngest physicists a is for atom b is for black hole c is for charge from atom to zero point energy the abcs of physics is a colorfully simple introduction for babies and grownups to a new physics concept for every letter of the

abcs of physics baby university board book - Aug 06 2022

web this alphabetical installment of the baby university series is the perfect introduction for even the youngest physicists a is for atom b is for black hole c is for charge from atom to zero point energy the abcs of physics is a colorfully simple introduction for babies and grownups to a new physics concept for every letter of the

abcs of physics ferrie chris amazon in books - Dec 10 2022

web this alphabetical installment of the baby university series is the perfect introduction for even the youngest physicists a is for atom b is for black hole c is for charge from atom to zero point energy the abcs of physics is a colorfully simple introduction for babies and grownups to a new physics concept for every letter of the alphabet

amazon com abcs of physics baby university - Jan 31 2022

web amazon com abcs of physics baby university skip to main content us delivering to lebanon 66952 choose location for most accurate options all select the department you

abcs of physics baby university welcome to heartleaf books - Oct 08 2022

web oct 3 2017 this alphabetical installment of the baby university series is the perfect introduction for even the youngest physicists a is for atom b is for black hole c is for charge from atom to zero point energy the abcs of physics is a colorfully simple introduction for babies and grownups to a new physics concept for every letter of the

amazon abcs of physics baby university ferrie chris physics - Jun 04 2022

web oct 3 2017 this alphabetical installment of the baby university series is the perfect introduction for even the youngest physicists a is for atom b is for black hole c is for charge from atom to zero point energy the abcs of physics is a colorfully simple introduction for babies and grownups to a new physics concept for every letter of the

abcs of physics baby university by chris ferrie goodreads - Aug 18 2023

web aug 5 2014 abcs of physics chris ferrie 3 94 209 ratings34 reviews the abc s of physics introduces a new physics concept for every letter of the alphabet all the way from atom to zero point energy genres science picture books childrens nonfiction education 26 pages board book first published august 5 2014 book details editions about the

abcs of physics baby university ferrie chris - Jan 11 2023

web this alphabetical installment of the baby university series is the perfect introduction for even the youngest physicists a is for atom b is for black hole c is for charge from atom to zero point energy the abcs of physics is a colorfully simple introduction for babies and grownups to a new physics concept for every letter of the alphabet

abcs of physics 0 baby university board book amazon co uk - Apr 14 2023

web this alphabetical installment of the baby university series is the perfect introduction for even the youngest physicists a is for atom b is for black hole c is for charge from atom to zero point energy the abcs of physics is a colorfully simple introduction for babies and grownups to a new physics concept for every letter of the alphabet

abcs of physics by chris ferrie baby university bookroo - May 03 2022

web in stock ages 0 3 26 pages lexile ad880l alphabet abcs science physics science and nature first concepts view book summary

abcs of physics baby university by chris ferrie booktopia - Jul 05 2022

web sep 15 2017 the abcs of physics introduces babies and grownups to a new physics concept for every letter of the alphabet all the way from atom to zero point energy with a tongue in cheek approach that adults will love this instalment of the baby university board book series is the perfect way to introduce basic concepts to even the youngest physicists

baby university abcs board book set chris ferrie - Nov 09 2022

web abcs of physics explain essential physics words like atom quantum einstein and newton abcs of science spark curiosity in young scientists by exploring concepts like amoebas electrons vaccines and more the baby university abcs set offers four educational board books for toddlers written by an expert

baby university abcs board book set a scientific alphabet for - Mar 01 2022

web abcs of physics abcs of science from amoeba to zygote atom to zero point energy baby university abcs four book set includes fun and easy introductions to more buy new learn more about this copy us 25 69 convert currency shipping free within u s a destination rates speeds add to basket 30 day return policy

chapter 9 simple linear regression carnegie mellon university - Mar 02 2023

web when we are examining the relationship between a quantitative outcome and a single quantitative explanatory variable simple linear regression is the most commonly considered analysis method the simple part tells us we are only considering a single explanatory variable

simple linear regression cliffsnotes - Sep 27 2022

web quiz simple linear regression chi square x2 quiz chi square x2 correlation quiz correlation simple linear regression common mistakes statistics tables quiz cumulative review a quiz cumulative review b online quizzes for cliffsnotes statistics quickreview 2nd edition

simple linear regression examples intellspot - Apr 03 2023

web simple linear regression examples problems and solutions simple linear regression allows us to study the correlation between only two variables one variable x is called independent variable or predictor the other variable y is known as

dependent variable or outcome and the simple linear regression equation is $y = \beta_0 + \beta_1 x$ where

12 e linear regression and correlation exercises - Jul 06 2023

web using the data to determine the linear regression line equation with the outliers removed is there a linear correlation for the data set with outliers removed justify your answer

simple linear regression wikipedia - May 24 2022

web e okun s law in macroeconomics is an example of the simple linear regression here the dependent variable gdp growth is presumed to be in a linear relationship with the changes in the unemployment rate in statistics simple linear regression is a linear regression model with a single explanatory variable

25 questions to test your skills on linear regression algorithm - Jun 05 2023

web jun 22 2022 1 what is linear regression algorithm in simple terms it is a method of finding the best straight line fitting to the given dataset i e tries to find the best linear relationship between the independent and dependent variables datahour era of ai assisted innovation date 6 nov 2023 time 8 00 pm 9 00 pm ist rsvp

everything you need to know about linear regression - Jul 26 2022

web sep 21 2023 linear regression shows the linear relationship between the independent predictor variable i e x axis and the dependent output variable i e y axis called linear regression if there is a single input variable x independent variable such linear regression is called simple linear regression

10 e correlation and regression exercises statistics libretexts - Dec 31 2022

web state the three assumptions that are the basis for the simple linear regression model the simple linear regression model is summarized by the equation $y = \beta_1 x + \beta_0 + \epsilon$ identify the deterministic part and the random part is the number β_1 in the equation $y = \beta_1 x + \beta_0$ a statistic or a population parameter

simple linear regression questions and answers - Jun 24 2022

web get help with your simple linear regression homework access the answers to hundreds of simple linear regression questions that are explained in a way that s easy for you to

linear regression 25 important questions gaurav bansal - Nov 29 2022

web what are the four assumptions of linear regression simple linear and multiple what is meant by dependent and independent variables y is dependent x are independents what is difference between simple linear and multiple linear regressions what is difference between regression model and estimated regression equation what is a residual

10 important regression questions you should know medium - Mar 22 2022

web may 3 2022 1 linearity there should be a linear relationship between independent x and dependent y variables which means a change in the value of x should also change the value of y in the same

lesson 1 simple linear regression stat 501 statistics online - May 04 2023

web lesson 1 simple linear regression overview simple linear regression is a statistical method that allows us to summarize and study relationships between two continuous quantitative variables this lesson introduces the concept and basic procedures of simple linear regression objectives upon completion of this lesson you should be able to

25 linear regression interview questions every machine learning - Aug 27 2022

web linear regression is a supervised machine learning algorithm where the predicted output is continuous and has a constant slope it is used to predict values within a continuous range e g sales price rather than trying to classify them into categories e g cat dog

linear regression problems with solutions - Oct 09 2023

web problem 1 consider the following set of points 2 1 1 1 3 2 a find the least square regression line for the given data points b plot the given points and the regression line in the same rectangular system of axes problem 2 a find the least square regression line for the following set of data

top 12 linear regression interview questions answers for - Feb 18 2022

web mar 12 2021 linear regression interview questions answers question 1 how does linear regression work linear regression as its name implies tries to model the data using a linear relation of the independent variables to the dependent variable or the target if there is just one independent variable feature it is called simple linear

simple linear regression solutions to exercises dtu - Sep 08 2023

web 5 simple linear regression solutions to exercises 1 5 1 plastic film folding machine 3 5 2 linear regression life time model 5 5 3 yield of chemical process 8

simple linear regression an easy introduction examples - Aug 07 2023

web feb 19 2020 you can use simple linear regression when you want to know how strong the relationship is between two variables e g the relationship between rainfall and soil erosion the value of the dependent variable at a certain value of the independent variable e g the amount of soil erosion at a certain level of rainfall

quiz simple linear regression cliffsnotes - Feb 01 2023

web study guides statistics quiz simple linear regression introduction to statistics method of statistical inference types of statistics steps in the process making predictions comparing results

top 30 linear regression interview questions answers skilltest - Apr 22 2022

web jul 3 2017 linear regression interview questions answers q1 true false linear regression is a supervised machine learning algorithm a true b false solution a yes linear regression is a supervised learning

linear regression review article khan academy - Oct 29 2022

web linear regression is a process of drawing a line through data in a scatter plot the line summarizes the data which is useful when making predictions

[pearson mathematics algebra 2 pearson education](#) - May 31 2022

web common core 2015 pearson algebra 1 geometry algebra 2 select key concept to view the key concept select a problem to begin use the buttons at the bottom to

[pearson mathematics algebra 2 pearson education](#) - Jan 27 2022

web free algebra 2 worksheets pdfs with answer keys each includes visual aides model problems exploratory activities practice problems and an online component

algebra 2 answers and solutions 11th grade mathleaks - May 11 2023

web find step by step solutions and answers to algebra 2 common core edition 9780076639908 as well as thousands of textbooks so you can move forward with

algebra 2 common core teacher edition pearson - Oct 24 2021

web answer key for the algebra 2 workbook common core 1st edition it covers answers all 6 of the original practice tests that are included in the book isbn 978 1 929099 42 9

[algebra 2 workbook common core hard copy answer key](#) - Sep 22 2021

pearson education solutions and answers mathleaks - Jun 12 2023

web algebra 2 mathleaks offers learning focused solutions and answers to commonly used textbooks for algebra 2 10th and 11th grade we cover textbooks from publishers such

algebra 2 pearson education - Jul 13 2023

web selected answers index algebra 2 foundations series chapter 1 expressions equations and inequalities get ready 1 my math video 3 1 1 patterns and expressions

algebra 2 common core practice and problem solving - Mar 09 2023

web find step by step solutions and answers to algebra 2 a common core curriculum 9781608408405 as well as thousands of textbooks so you can move forward with

algebra 2 common core chapter 2 functions equations and - Jul 01 2022

web modeling standard cb concept byte lr learning resources se student edition te teacher s edition

[algebra 1 geometry algebra 2 common core savvas learning](#) - Nov 24 2021

web the textbook with helpful tools for every chapter and lesson of algebra 2 cme algebra 2 companion website common core algebra i kirk weiler 2015 08 01 high school

[textbook answers gradesaver](#) - Mar 29 2022

web home textbook answers find textbook answers and solutions browse algebra 2 common core hall prentice publisher prentice hall isbn 978 0 13318 602 4

[algebra 2 common core edition 1st edition solutions and](#) - Apr 10 2023

web find step by step solutions and answers to algebra 2 common core practice and problem solving workbook 9780133186147 as well as thousands of textbooks so you

[algebra 2 workbook common core pdf answer key for](#) - Sep 03 2022

web if you have an algebra ii membership please note that you also have access to the paid resources for algebra 2 with trigonometry standards alignment powered by edgate

[algebra 2 common core practice and problem solving workbook](#) - Oct 04 2022

web electronic pdf answer key for the algebra 2 workbook common core 1st edition it covers all 6 of the practice original tests 1 6 that are included in the book item alg 2

[pearson algebra 2 common core 2011 9780133186024](#) - Nov 05 2022

web find step by step solutions and answers to algebra 2 common core practice and problem solving workbook 9780133186147 as well as thousands of textbooks so you

algebra 2 a common core curriculum 1st edition quizlet - Feb 08 2023

web explanations textbook solutions algebra 2 common core 1st edition 9780133186024

[algebra 2 worksheets pdf with answer keys mathwarehouse com](#) - Dec 26 2021

web savvas mathematics algebra 1 geometry algebra 2 common core common core math curriculum savvas is proud to offer a new common core edition of the same

l Larson algebra 2 common core 1st edition quizlet - Dec 06 2022

web 0133186024 course algebra 2 show description mathleaks app and website provide unique solutions answers and hints to every single exercise in the algebra 2 textbook

learning tools flashcards and textbook solutions quizlet - Jan 07 2023

web find step by step solutions and answers to l Larson algebra 2 common core 9780547647159 as well as thousands of textbooks so you can move forward with

textbook answers gradesaver - Feb 25 2022

web a correlation of pearson high school mathematics algebra 2 common core 2015 to arizona s college and career ready standards mathematics algebra ii indicates

pearson algebra 1 geometry common core 2015 - Apr 29 2022

web home textbook answers math algebra find textbook answers and solutions algebra 2 common core hall prentice publisher prentice hall isbn 978 0 13318 602 4

common core algebra ii emathinstruction - Aug 02 2022

web algebra 2 common core answers to chapter 2 functions equations and graphs get ready page 57 1 including work step by step written by community members like you

algebra 2 common core 1st edition solutions and answers - Aug 14 2023

web find step by step solutions and answers to algebra 2 common core 9780133186024 as well as thousands of textbooks so you can move forward with confidence