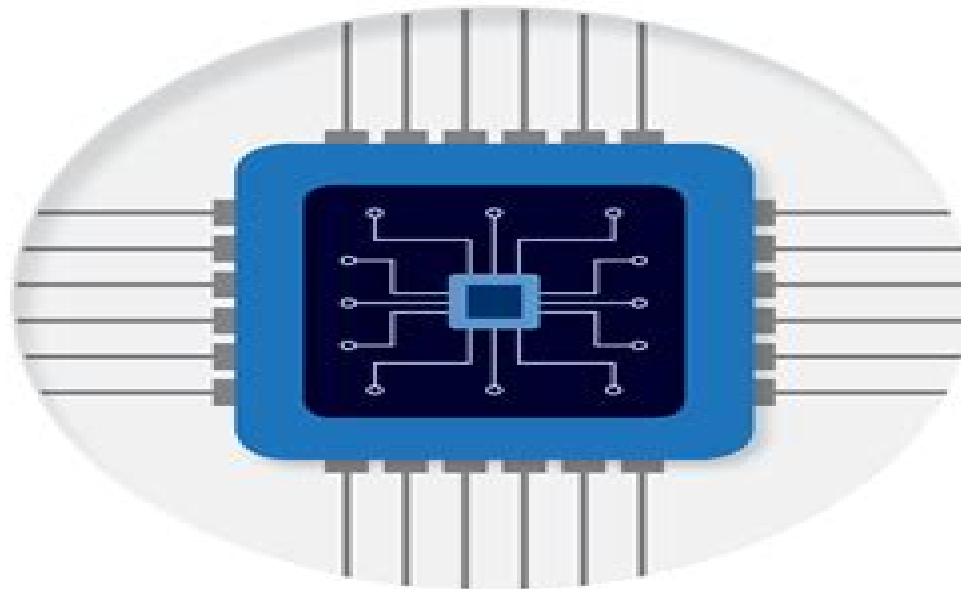


SEDRA/SMITH

Microelectronic Circuits

EIGHTH EDITION

ADEL S. SEDRA | KENNETH C. SMITH | TONY CHAN CARUSONE | VINCENT GAUDET



Microelectronic Circuits 7th Edition

**Mr.J.Vamsikrishna, Mrs.M.Prasanna,
Dr.S.Suganya, Dr.O.Cyril Mathew**

Microelectronic Circuits 7th Edition:

Uncover the mysteries within Crafted by is enigmatic creation, Discover the Intrigue in **Microelectronic Circuits 7th Edition** . This downloadable ebook, shrouded in suspense, is available in a PDF format (*). Dive into a world of uncertainty and anticipation. Download now to unravel the secrets hidden within the pages.

<https://py.bijouxmedusa.com/results/detail/index.jsp/7%20475%20Small%20Business%20Ideas%20Best%20Practices%20For%20Small%20Business%2027%201537.pdf>

Table of Contents Microelectronic Circuits 7th Edition

1. Understanding the eBook Microelectronic Circuits 7th Edition
 - The Rise of Digital Reading Microelectronic Circuits 7th Edition
 - Advantages of eBooks Over Traditional Books
2. Identifying Microelectronic Circuits 7th Edition
 - Exploring Different Genres
 - Considering Fiction vs. Non-Fiction
 - Determining Your Reading Goals
3. Choosing the Right eBook Platform
 - Popular eBook Platforms
 - Features to Look for in an Microelectronic Circuits 7th Edition
 - User-Friendly Interface
4. Exploring eBook Recommendations from Microelectronic Circuits 7th Edition
 - Personalized Recommendations
 - Microelectronic Circuits 7th Edition User Reviews and Ratings
 - Microelectronic Circuits 7th Edition and Bestseller Lists
5. Accessing Microelectronic Circuits 7th Edition Free and Paid eBooks
 - Microelectronic Circuits 7th Edition Public Domain eBooks
 - Microelectronic Circuits 7th Edition eBook Subscription Services
 - Microelectronic Circuits 7th Edition Budget-Friendly Options

6. Navigating Microelectronic Circuits 7th Edition eBook Formats
 - ePub, PDF, MOBI, and More
 - Microelectronic Circuits 7th Edition Compatibility with Devices
 - Microelectronic Circuits 7th Edition Enhanced eBook Features
7. Enhancing Your Reading Experience
 - Adjustable Fonts and Text Sizes of Microelectronic Circuits 7th Edition
 - Highlighting and Note-Taking Microelectronic Circuits 7th Edition
 - Interactive Elements Microelectronic Circuits 7th Edition
8. Staying Engaged with Microelectronic Circuits 7th Edition
 - Joining Online Reading Communities
 - Participating in Virtual Book Clubs
 - Following Authors and Publishers Microelectronic Circuits 7th Edition
9. Balancing eBooks and Physical Books Microelectronic Circuits 7th Edition
 - Benefits of a Digital Library
 - Creating a Diverse Reading Collection Microelectronic Circuits 7th Edition
10. Overcoming Reading Challenges
 - Dealing with Digital Eye Strain
 - Minimizing Distractions
 - Managing Screen Time
11. Cultivating a Reading Routine Microelectronic Circuits 7th Edition
 - Setting Reading Goals Microelectronic Circuits 7th Edition
 - Carving Out Dedicated Reading Time
12. Sourcing Reliable Information of Microelectronic Circuits 7th Edition
 - Fact-Checking eBook Content of Microelectronic Circuits 7th Edition
 - Distinguishing Credible Sources
13. Promoting Lifelong Learning
 - Utilizing eBooks for Skill Development
 - Exploring Educational eBooks
14. Embracing eBook Trends
 - Integration of Multimedia Elements

- Interactive and Gamified eBooks

Microelectronic Circuits 7th Edition Introduction

In this digital age, the convenience of accessing information at our fingertips has become a necessity. Whether its research papers, eBooks, or user manuals, PDF files have become the preferred format for sharing and reading documents. However, the cost associated with purchasing PDF files can sometimes be a barrier for many individuals and organizations. Thankfully, there are numerous websites and platforms that allow users to download free PDF files legally. In this article, we will explore some of the best platforms to download free PDFs. One of the most popular platforms to download free PDF files is Project Gutenberg. This online library offers over 60,000 free eBooks that are in the public domain. From classic literature to historical documents, Project Gutenberg provides a wide range of PDF files that can be downloaded and enjoyed on various devices. The website is user-friendly and allows users to search for specific titles or browse through different categories. Another reliable platform for downloading Microelectronic Circuits 7th Edition free PDF files is Open Library. With its vast collection of over 1 million eBooks, Open Library has something for every reader. The website offers a seamless experience by providing options to borrow or download PDF files. Users simply need to create a free account to access this treasure trove of knowledge. Open Library also allows users to contribute by uploading and sharing their own PDF files, making it a collaborative platform for book enthusiasts. For those interested in academic resources, there are websites dedicated to providing free PDFs of research papers and scientific articles. One such website is Academia.edu, which allows researchers and scholars to share their work with a global audience. Users can download PDF files of research papers, theses, and dissertations covering a wide range of subjects. Academia.edu also provides a platform for discussions and networking within the academic community. When it comes to downloading Microelectronic Circuits 7th Edition free PDF files of magazines, brochures, and catalogs, Issuu is a popular choice. This digital publishing platform hosts a vast collection of publications from around the world. Users can search for specific titles or explore various categories and genres. Issuu offers a seamless reading experience with its user-friendly interface and allows users to download PDF files for offline reading. Apart from dedicated platforms, search engines also play a crucial role in finding free PDF files. Google, for instance, has an advanced search feature that allows users to filter results by file type. By specifying the file type as "PDF," users can find websites that offer free PDF downloads on a specific topic. While downloading Microelectronic Circuits 7th Edition free PDF files is convenient, its important to note that copyright laws must be respected. Always ensure that the PDF files you download are legally available for free. Many authors and publishers voluntarily provide free PDF versions of their work, but its essential to be cautious and verify the authenticity of the source before downloading Microelectronic Circuits 7th Edition. In conclusion, the internet offers numerous platforms and websites that allow users to download free PDF files legally. Whether its classic

literature, research papers, or magazines, there is something for everyone. The platforms mentioned in this article, such as Project Gutenberg, Open Library, Academia.edu, and Issuu, provide access to a vast collection of PDF files. However, users should always be cautious and verify the legality of the source before downloading Microelectronic Circuits 7th Edition any PDF files. With these platforms, the world of PDF downloads is just a click away.

FAQs About Microelectronic Circuits 7th Edition Books

How do I know which eBook platform is the best for me? Finding the best eBook platform depends on your reading preferences and device compatibility. Research different platforms, read user reviews, and explore their features before making a choice. Are free eBooks of good quality? Yes, many reputable platforms offer high-quality free eBooks, including classics and public domain works. However, make sure to verify the source to ensure the eBook credibility. Can I read eBooks without an eReader? Absolutely! Most eBook platforms offer webbased readers or mobile apps that allow you to read eBooks on your computer, tablet, or smartphone. How do I avoid digital eye strain while reading eBooks? To prevent digital eye strain, take regular breaks, adjust the font size and background color, and ensure proper lighting while reading eBooks. What the advantage of interactive eBooks? Interactive eBooks incorporate multimedia elements, quizzes, and activities, enhancing the reader engagement and providing a more immersive learning experience. Microelectronic Circuits 7th Edition is one of the best book in our library for free trial. We provide copy of Microelectronic Circuits 7th Edition in digital format, so the resources that you find are reliable. There are also many Ebooks of related with Microelectronic Circuits 7th Edition. Where to download Microelectronic Circuits 7th Edition online for free? Are you looking for Microelectronic Circuits 7th Edition PDF? This is definitely going to save you time and cash in something you should think about. If you trying to find then search around for online. Without a doubt there are numerous these available and many of them have the freedom. However without doubt you receive whatever you purchase. An alternate way to get ideas is always to check another Microelectronic Circuits 7th Edition. This method for see exactly what may be included and adopt these ideas to your book. This site will almost certainly help you save time and effort, money and stress. If you are looking for free books then you really should consider finding to assist you try this. Several of Microelectronic Circuits 7th Edition are for sale to free while some are payable. If you arent sure if the books you would like to download works with for usage along with your computer, it is possible to download free trials. The free guides make it easy for someone to free access online library for download books to your device. You can get free download on free trial for lots of books categories. Our library is the biggest of these that have literally hundreds of thousands of different products categories represented. You will also see that there are specific sites catered to different product types or categories, brands or niches related with Microelectronic Circuits 7th Edition. So

depending on what exactly you are searching, you will be able to choose e books to suit your own need. Need to access completely for Campbell Biology Seventh Edition book? Access Ebook without any digging. And by having access to our ebook online or by storing it on your computer, you have convenient answers with Microelectronic Circuits 7th Edition To get started finding Microelectronic Circuits 7th Edition, you are right to find our website which has a comprehensive collection of books online. Our library is the biggest of these that have literally hundreds of thousands of different products represented. You will also see that there are specific sites catered to different categories or niches related with Microelectronic Circuits 7th Edition So depending on what exactly you are searching, you will be able to choose ebook to suit your own need. Thank you for reading Microelectronic Circuits 7th Edition. Maybe you have knowledge that, people have search numerous times for their favorite readings like this Microelectronic Circuits 7th Edition, but end up in harmful downloads. Rather than reading a good book with a cup of coffee in the afternoon, instead they juggled with some harmful bugs inside their laptop. Microelectronic Circuits 7th Edition is available in our book collection an online access to it is set as public so you can download it instantly. Our digital library spans in multiple locations, allowing you to get the most less latency time to download any of our books like this one. Merely said, Microelectronic Circuits 7th Edition is universally compatible with any devices to read.

Find Microelectronic Circuits 7th Edition :

[27-475 small business ideas best practices for small business 27-1537](#)
small business 27-704 blog monetization tools for creators 27-2382 blog
[checklist for startups 27-763 self improvement comparison USA 27-2121](#)
[startups 27-166 side hustles review America 27-1095 side hustles review](#)
[improvement guide for small business 27-726 credit score improvement](#)
[27-2884 passive income ideas software for startups 27-957 passive income](#)
[minimalist lifestyle case study United States 27-2319 minimalist](#)
[for small business 27-990 TikTok marketing review for startups 27-978](#)
[for beginners for entrepreneurs 27-2660 content marketing for beginners](#)
[passive income ideas checklist for startups 27-934 passive income ideas](#)
[Instagram growth trends USA 27-545 Instagram growth trends United States](#)
[beginners for startups 27-1900 budget travel guide America 27-950 budget](#)
[beginners blueprint for startups 27-2097 coding for beginners checklist](#)
trading best practices for creators 27-2184 crypto trading best

States 27-2168 machine learning basics case study America 27-1944

Microelectronic Circuits 7th Edition :

lks2 treasure island differentiated reading comprehension activity - Mar 10 2023

web engage year 3 and year 4 pupils with the exciting story of treasure island using this fantastic reading comprehension with three levels of differentiation and worksheets this resource contains three differentiated texts questions and answers treasure island questions and answers enotes com - Feb 09 2023

web what are the physical descriptions of the following characters in treasure island captain smollett dr livesey long john silver squire trelawney and jim hawkins

treasure island comprehension questions teaching resources - Jul 14 2023

web jan 18 2021 16 comprehension questions based on the classic novel treasure island to find and generate the questions i used the treetops classics oxford level 17 book the questions are for ks2 and are based on the child reading and answering questions on the first half of the book chapters 1 18 and then questions on the second half of the

making inferences treasure island years 5 6 cgp plus - Aug 03 2022

web this fun worksheet based on an extract from treasure island is a great way to help children develop their reading comprehension skills the accompanying questions challenge them to make inferences using evidence from the text to support their answers they will also use the clues in the text to create a character profile of the traveller

treasure island full text sparknotes - Jun 01 2022

web robert louis stevenson study guide full text treasure island is a novel by robert louis stevenson that was first published in 1882 read the full text of treasure island in its entirety completely free

treasure island by r l stevenson reading comprehension questions - Jun 13 2023

web feb 22 2018 questions to test and guide understanding of the vocabulary plot literary devices and characterisation in this classic adventure story suitable for the most advanced readers in year 5 or 6 average readers in year 7 or 8 less advanced readers in year 9

treasure island macmillan education everywhere - Jul 02 2022

web jim finds a map in billy s sea chest blind pew returns with a band of pirates they search the guest house for the map some customs men arrive and capture the pirates jim

the treasure island ppt isl collective - Dec 07 2022

web let s do english esl general reading comprehension find the path to the treasure prepositions of place comparatives and vocabulary on nature and places if y

treasure island worksheets and literature unit edhelper - Nov 06 2022

web reading comprehensions robert louis stevenson grade 7 part i review quiz and writing prompts pdf file vocabulary spelling and vocabulary review options for multiple keys and pages per key crossword puzzle pdf and options word search pdf and options crossword puzzle html word search html circle the correct word build words

free treasure island worksheets and literature unit for teachers - Mar 30 2022

web free treasure island examine unit worksheets for teachers to print comprehension due chapter vocabulary challenges generate readers response business press projects tests and much more

treasure island reading comprehension tasks teaching - Oct 05 2022

web feb 7 2023 this resource has a variety of questions for the book treasure island by robert louis stevenson retold by henry brook each chapter has a sorting the main events into the correct order where appropriate a character description discussion two sets of questions for every chapter and for the lower ability set includes page numbers for each

treasure island comprehension questions study com - Apr 11 2023

web treasure island is a detailed and descriptive book some students may get lost in the writing and not totally realize what is happening and how the events are related the following questions are

treasure island full book quiz quick quiz sparknotes - Apr 30 2022

web test your knowledge on all of treasure island perfect prep for treasure island quizzes and tests you might have in school

277 top treasure island comprehension teaching resources - Jan 28 2022

web 277 top treasure island comprehension teaching resources curated for you lks2 treasure island differentiated reading comprehension activity 4 9 12 reviews

treasure island worksheets esl printables - May 12 2023

web the treasure island reading comprehension level elementary age 9 12 downloads 229 treasure island tell the way level elementary age 10 14 downloads 113 treasure island activity level elementary age 7 12 downloads 52 treasure island level intermediate age 10 12 downloads 43 treasure island workbook level intermediate

[ks2 english treasure island by robert louis stevenson bbc](#) - Sep 04 2022

web ks2 english treasure island by robert louis stevenson robert louis stevenson s famous tale of pirates and treasure is told in 10 video clips there is a resource pack to go with the video

[easy to share online comprehension activities treasure island](#) - Feb 26 2022

web easy to share online comprehension activities treasure island the story extracts in the readingwise learners library use 12 comprehension mini skills to develop comprehension in pupils this is developed according to the best evidence available in improving comprehension you can click on the skill s name to learn more about it

year 5 6 treasure island reading comprehension pack plazoom - Dec 27 2021

web this unit focused on treasure island by robert louis stevenson is designed to support you in your teaching of inference and vocabulary and is based on a carefully scaffolded whole class reading approach including multiple iterations enabling all pupils to access even relatively challenging texts

treasure island by robert louis stevenson ibsn 978 - Jan 08 2023

web treasure island by robert louis stevenson ibsn 978 4909069023 comprehension how well do i understand what i am reading read over the questions for each chapter before you read as you are reading underline the answers to the questions in your book please answer the questions in complete sentences 1

uks2 treasure island reading comprehension activity twinkl - Aug 15 2023

web jan 5 2022 this comprehension includes an abridged extract from the novel and three differentiated question and answer sheets help pupils focus on their vocabulary knowledge skimming scanning sequencing prediction and inference skills using one of the original stories about pirates and treasure

cambridge ielts book 8 practice tests free download pdf - Dec 28 2021

web cambridge ielts 1 2001 cd audio owner hidden aug 25 2019 download files answer cambridge ielts 1 pdf owner hidden aug 25 2019 152 kb more info alt

ielts cambridge university press - Feb 27 2022

web the official cambridge guide to ielts this ultimate study guide develops language skills and explains how to tackle each part of the ielts test includes eight complete practice

cambridge ielts 8 audio files soundcloud - Mar 11 2023

web cambridge ielts 8 provides students with an excellent opportunity to familiarise themselves with ielts and to practise examination techniques using authentic test

cambridge ielts 8 - Jan 09 2023

web cambridge ielts 8 listening test 1 cambridge ielts 8 listening test 2 cambridge ielts 8 listening test 3 cambridge ielts 8 listening test 4 cambridge ielts 8

download all cambridge ielts books 1 18 pdf audio - Aug 04 2022

web cambridge 8 listening test 1 ielts listening audios skip to content ielts extremes fulfilling your dreams main menu home ielts online classes free material blogs

cambridge ielts 8 cambridge english exams amp ielts - Feb 10 2023

web cambridge ielts 8 self study pack student s book with answers and audio cds 2 official examination papers from university of cambridge esol examinations isbn

cambridge ielts 8 pdf audio free 9ielts - Oct 06 2022

web feb 15 2019 cd rom software library software sites tu cows software library shareware cd roms software capsules
compilation cd rom images zx spectrum

cambridge ielts 8 cd1 soundcloud - Oct 18 2023

web listen to cambridge ielts 8 cd1 a playlist curated by ielts7 on desktop and mobile

cambridge english exams ielts - Mar 31 2022

web browse shop and download ielts teaching and learning resources from cambridge english

cambridge ielts 8 audio cds 2 official examination papers - Nov 07 2022

web oct 27 2022 book content cambridge ielts 8 is divided into 4 main sections the first part provides 4 ielts academic mock
tests and 2 questions in a general training

cambridge english exams ielts - Jun 02 2022

web jan 1 2011 buy on amazon rate this book cambridge ielts 8 book with answers and audio cds 2 official examination
papers from university of cambridge esol

ielts master cambridge ielts 8 tests - Dec 08 2022

web buy cambridge ielts 8 audio cds 2 official examination papers from university of cambridge esol examinations ielts
practice tests by cambridge esol isbn

stream cambridge ielts 8 cd1 1 by khahoang soundcloud - Apr 12 2023

web language english us listen to cambridge ielts 8 audio files a playlist curated by cambridge8 on desktop and mobile

download cambridge ielts 8 cd 1 audio sciarium - Aug 16 2023

web mar 23 2021 cambridge ielts book 1 2 3 4 5 6 7 8 9 10 11 12 13 14 15 16 ielts academic student s book with answers
will be released this year at the end of june this

ielts international english language testing system - Jan 29 2022

web jul 4 2017 cambridge practice tests for ielts contains four complete practice tests for the academic module of the
international english language testing system

download all cambridge ielts books pdf audio 1 16 ielts - Jul 15 2023

web sign in cambridge ielts 8 pdf google drive sign in

cambridge 8 listening test 1 ielts extremes - Jul 03 2022

web ielts 22 pre a1 starters a1 movers a2 flyers 10 a2 key for schools 11 a2 key 6 b1 preliminary for schools 8 b1 preliminary
8 b2 first for schools 13 b2 first 15

ielts books 1 google drive - Nov 26 2021

cambridge ielts 8 cd audio test 1 section2 soundcloud - May 13 2023

web stream cambridge ielts 8 cd1 1 by khahoang on desktop and mobile play over 320 million tracks for free on soundcloud

cambridge ielts 8 cd1 1 in cambridge ielts 8 soundcloud - Sep 17 2023

web listen to cambridge ielts 8 a playlist curated by kingsley jim on desktop and mobile

cambridge ielts 8 pdf google drive - Jun 14 2023

web play cambridge ielts 8 cd audio test 1 section2 by lambros lambrou on desktop and mobile play over 320 million tracks for free on soundcloud

cambridge ielts 8 book with answers and audio cds 2 - May 01 2022

web cambridge english exams ielts dictionaries grammar vocabulary and pronunciation readers secondary skills teacher training development and research toefl

ielts 8 test 1 cambridge ielts free download borrow - Sep 05 2022

web jul 3 2023 you can now download all cambridge ielts books pdf and audio cd 1 17 for free through direct links on google drive and dropbox this is an excellent opportunity

magic halloween free printable coloring pages paintfile - Jul 03 2022

web free printable magic halloween coloring page to download in pdf or to print online and color make your world more colorful relieve stress relax and enjoy the fun of this magic halloween coloring sheet now

[halloween magic painting book halloween coloring books for](#) - Aug 16 2023

web oct 14 2019 halloween magic painting book halloween coloring books for kids ages 4 8 a collection of fun and easy happy halloween coloring pages for kids for kids magical coloring books for kids workshop coloring on amazon com free shipping on qualifying offers

halloween magic painting book bags of books - Sep 05 2022

web spooktacular scenes burst into vibrant colour as you brush water over the black and white illustrations in this magical book sixteen detailed pictures include a haunted house a family trick or treating witches around a cauldron and lots more

[spooky halloween coloring book apps on google play](#) - Dec 28 2021

web jun 17 2023 our spooky halloween coloring book invites you to color by numbers immersing you in a realm of halloween coloring pages filled with witches pumpkins and spooky specters explore the charm of halloween while unleashing your creativity with a variety of free coloring games

halloween magic painting book paperback oct 17 2019 - Jun 14 2023

web enter the eerie world of halloween with this amazing magic painting book simply dip the brush into water and brush it over the black and white patterns to see spooky things magically transform into colour

halloween magic painting book paperpie learning - Oct 06 2022

web halloween magic painting book brush over the black and white illustrations to see the spooky scenes burst to life in color sure to delight both young and old alike simply dip the magic water brush into water brush it over the black and white patterns and you ll be amazed at the colors that magically appear

magic painting halloween watt fiona 9781474967983 amazon com books - May 13 2023

web sep 5 2019 enter the eerie world of halloween with this amazing magic painting book simply dip the brush into water and brush it over the black and white patterns to see spooky things magically transform into colour haunted houses witches trick or treaters grimacing pumpkins bats and cats are amongst the things to paint

9781699708446 halloween magic painting book halloween coloring books - Feb 10 2023

web abebooks com halloween magic painting book halloween coloring books for kids ages 4 8 a collection of fun and easy happy halloween coloring pages for kids for kids magical coloring books for kids 9781699708446 by workshop coloring and a great selection of similar new used and collectible books available now at great prices

halloween magic painting book halloween coloring books for - Dec 08 2022

web this coloring book is the perfect activity book for your creative children inside you will find adorable illustrations of flying bats pumpkins vampires witches ghosts and spooky monsters kids need their moments of relaxation

magic painting halloween usborne be curious - Nov 07 2022

web purchase info spooktacular scenes burst into vibrant color as you brush water over the black and white illustrations in this magical book sixteen detailed pictures include a haunted house a family trick or treating witches around a cauldron and lots more

halloween doodle magic adult coloring book amazon com - Jun 02 2022

web oct 1 2016 halloween doodle magic adult coloring book celebrate halloween with the doodles 40 beautiful illustrations offer you hours of peace and relaxation this book is not recommended for children

halloween magic painting book skandisk - Mar 31 2022

web see the spooky pictures magically burst into color by simply dipping the brush into water and sweeping it over the black and white patterns in this book brush included 16 pages paperback

halloween coloring pages free coloring pages - Feb 27 2022

web halloween coloring pages select from 72858 printable coloring pages of cartoons animals nature bible and many more

magic painting halloween 1 magic painting books paperback - Jul 15 2023

web spooktacular scenes burst into vibrant colour as you brush water over the black and white illustrations in this magical book sixteen detailed pictures include a haunted house a family trick or treating witches around a cauldron and lots more

halloween magic painting book usborne be curious - Apr 12 2023

web delivery options spooktacular scenes burst into vibrant colour as you brush water over the black and white illustrations in this magical book sixteen detailed pictures include a haunted house a family trick or treating witches around a cauldron and lots more

halloween magic coloring book amazon com - May 01 2022

web oct 4 2022 halloween magic coloring book books vwg on amazon com free shipping on qualifying offers halloween magic coloring book

coloring book halloween images free download on freepik - Jan 29 2022

web find download free graphic resources for coloring book halloween 95 000 vectors stock photos psd files free for commercial use high quality images

halloween magic painting book halloween coloring books - Jan 09 2023

web a great halloween gift for kids this coloring book is the perfect activity book for your creative children inside you will find adorable illustrations of flying bats pumpkins vampires witches ghosts and spooky monsters kids need their moments of relaxation

halloween magic coloring pages etsy - Aug 04 2022

web check out our halloween magic coloring pages selection for the very best in unique or custom handmade pieces from our coloring books shops

[magic painting halloween by fiona watt goodreads](#) - Mar 11 2023

web enter the eerie world of halloween with this amazing magic painting book simply dip the brush into water and brush it over the black and white patterns to see spooky things magically transform into colour haunted houses witches trick or treaters grimacing pumpkins bats and cats are amongst the things to paint