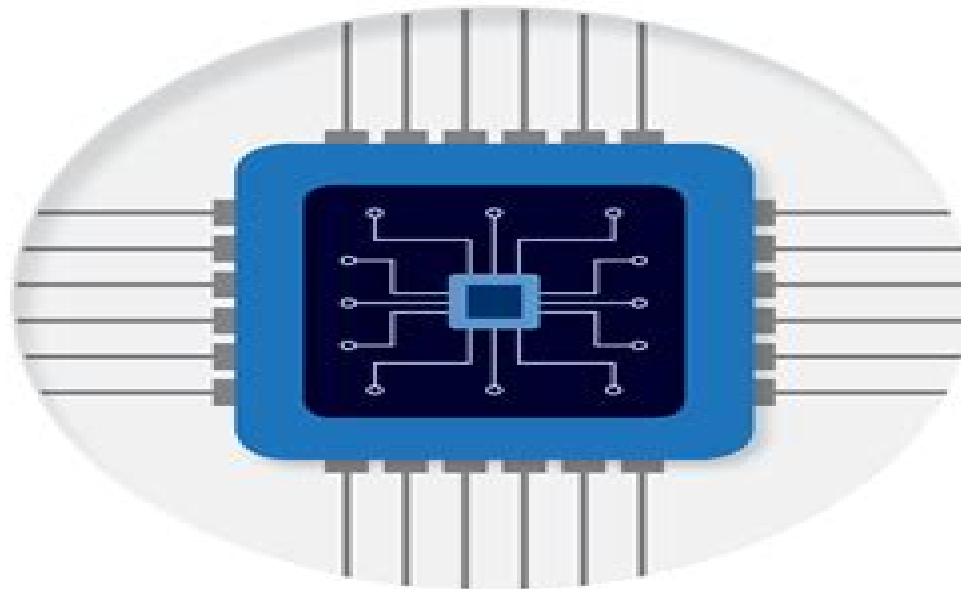


SEDRA/SMITH

Microelectronic Circuits

EIGHTH EDITION

ADEL S. SEDRA | KENNETH C. SMITH | TONY CHAN CARUSONE | VINCENT GAUDET



Microelectronic Circuits 5th Edition Scribd

Jin-Ying Zhang



Microelectronic Circuits 5th Edition Scribd:

The Enigmatic Realm of **Microelectronic Circuits 5th Edition Scribd**: Unleashing the Language is Inner Magic

In a fast-paced digital era where connections and knowledge intertwine, the enigmatic realm of language reveals its inherent magic. Its capacity to stir emotions, ignite contemplation, and catalyze profound transformations is nothing short of extraordinary. Within the captivating pages of **Microelectronic Circuits 5th Edition Scribd** a literary masterpiece penned by a renowned author, readers set about a transformative journey, unlocking the secrets and untapped potential embedded within each word. In this evaluation, we shall explore the book's core themes, assess its distinct writing style, and delve into its lasting impact on the hearts and minds of those that partake in its reading experience.

<https://py.bijouxmedusa.com/About/scholarship/Documents/Organizational%20Behavior%207th%20Edition.pdf>

Table of Contents Microelectronic Circuits 5th Edition Scribd

1. Understanding the eBook Microelectronic Circuits 5th Edition Scribd
 - The Rise of Digital Reading Microelectronic Circuits 5th Edition Scribd
 - Advantages of eBooks Over Traditional Books
2. Identifying Microelectronic Circuits 5th Edition Scribd
 - Exploring Different Genres
 - Considering Fiction vs. Non-Fiction
 - Determining Your Reading Goals
3. Choosing the Right eBook Platform
 - Popular eBook Platforms
 - Features to Look for in an Microelectronic Circuits 5th Edition Scribd
 - User-Friendly Interface
4. Exploring eBook Recommendations from Microelectronic Circuits 5th Edition Scribd
 - Personalized Recommendations
 - Microelectronic Circuits 5th Edition Scribd User Reviews and Ratings
 - Microelectronic Circuits 5th Edition Scribd and Bestseller Lists

5. Accessing Microelectronic Circuits 5th Edition Scribd Free and Paid eBooks
 - Microelectronic Circuits 5th Edition Scribd Public Domain eBooks
 - Microelectronic Circuits 5th Edition Scribd eBook Subscription Services
 - Microelectronic Circuits 5th Edition Scribd Budget-Friendly Options
6. Navigating Microelectronic Circuits 5th Edition Scribd eBook Formats
 - ePub, PDF, MOBI, and More
 - Microelectronic Circuits 5th Edition Scribd Compatibility with Devices
 - Microelectronic Circuits 5th Edition Scribd Enhanced eBook Features
7. Enhancing Your Reading Experience
 - Adjustable Fonts and Text Sizes of Microelectronic Circuits 5th Edition Scribd
 - Highlighting and Note-Taking Microelectronic Circuits 5th Edition Scribd
 - Interactive Elements Microelectronic Circuits 5th Edition Scribd
8. Staying Engaged with Microelectronic Circuits 5th Edition Scribd
 - Joining Online Reading Communities
 - Participating in Virtual Book Clubs
 - Following Authors and Publishers Microelectronic Circuits 5th Edition Scribd
9. Balancing eBooks and Physical Books Microelectronic Circuits 5th Edition Scribd
 - Benefits of a Digital Library
 - Creating a Diverse Reading Collection Microelectronic Circuits 5th Edition Scribd
10. Overcoming Reading Challenges
 - Dealing with Digital Eye Strain
 - Minimizing Distractions
 - Managing Screen Time
11. Cultivating a Reading Routine Microelectronic Circuits 5th Edition Scribd
 - Setting Reading Goals Microelectronic Circuits 5th Edition Scribd
 - Carving Out Dedicated Reading Time
12. Sourcing Reliable Information of Microelectronic Circuits 5th Edition Scribd
 - Fact-Checking eBook Content of Microelectronic Circuits 5th Edition Scribd
 - Distinguishing Credible Sources
13. Promoting Lifelong Learning

- Utilizing eBooks for Skill Development
 - Exploring Educational eBooks
14. Embracing eBook Trends
- Integration of Multimedia Elements
 - Interactive and Gamified eBooks

Microelectronic Circuits 5th Edition Scribd Introduction

In this digital age, the convenience of accessing information at our fingertips has become a necessity. Whether its research papers, eBooks, or user manuals, PDF files have become the preferred format for sharing and reading documents. However, the cost associated with purchasing PDF files can sometimes be a barrier for many individuals and organizations. Thankfully, there are numerous websites and platforms that allow users to download free PDF files legally. In this article, we will explore some of the best platforms to download free PDFs. One of the most popular platforms to download free PDF files is Project Gutenberg. This online library offers over 60,000 free eBooks that are in the public domain. From classic literature to historical documents, Project Gutenberg provides a wide range of PDF files that can be downloaded and enjoyed on various devices. The website is user-friendly and allows users to search for specific titles or browse through different categories. Another reliable platform for downloading Microelectronic Circuits 5th Edition Scribd free PDF files is Open Library. With its vast collection of over 1 million eBooks, Open Library has something for every reader. The website offers a seamless experience by providing options to borrow or download PDF files. Users simply need to create a free account to access this treasure trove of knowledge. Open Library also allows users to contribute by uploading and sharing their own PDF files, making it a collaborative platform for book enthusiasts. For those interested in academic resources, there are websites dedicated to providing free PDFs of research papers and scientific articles. One such website is Academia.edu, which allows researchers and scholars to share their work with a global audience. Users can download PDF files of research papers, theses, and dissertations covering a wide range of subjects. Academia.edu also provides a platform for discussions and networking within the academic community. When it comes to downloading Microelectronic Circuits 5th Edition Scribd free PDF files of magazines, brochures, and catalogs, Issuu is a popular choice. This digital publishing platform hosts a vast collection of publications from around the world. Users can search for specific titles or explore various categories and genres. Issuu offers a seamless reading experience with its user-friendly interface and allows users to download PDF files for offline reading. Apart from dedicated platforms, search engines also play a crucial role in finding free PDF files. Google, for instance, has an advanced search feature that allows users to filter results by file type. By specifying the file type as "PDF," users can find websites that offer free PDF downloads on a specific topic. While downloading Microelectronic Circuits 5th

Edition Scribd free PDF files is convenient, its important to note that copyright laws must be respected. Always ensure that the PDF files you download are legally available for free. Many authors and publishers voluntarily provide free PDF versions of their work, but its essential to be cautious and verify the authenticity of the source before downloading Microelectronic Circuits 5th Edition Scribd. In conclusion, the internet offers numerous platforms and websites that allow users to download free PDF files legally. Whether its classic literature, research papers, or magazines, there is something for everyone. The platforms mentioned in this article, such as Project Gutenberg, Open Library, Academia.edu, and Issuu, provide access to a vast collection of PDF files. However, users should always be cautious and verify the legality of the source before downloading Microelectronic Circuits 5th Edition Scribd any PDF files. With these platforms, the world of PDF downloads is just a click away.

FAQs About Microelectronic Circuits 5th Edition Scribd Books

What is a Microelectronic Circuits 5th Edition Scribd PDF? A PDF (Portable Document Format) is a file format developed by Adobe that preserves the layout and formatting of a document, regardless of the software, hardware, or operating system used to view or print it. **How do I create a Microelectronic Circuits 5th Edition Scribd PDF?** There are several ways to create a PDF: Use software like Adobe Acrobat, Microsoft Word, or Google Docs, which often have built-in PDF creation tools. Print to PDF: Many applications and operating systems have a "Print to PDF" option that allows you to save a document as a PDF file instead of printing it on paper. Online converters: There are various online tools that can convert different file types to PDF. **How do I edit a Microelectronic Circuits 5th Edition Scribd PDF?** Editing a PDF can be done with software like Adobe Acrobat, which allows direct editing of text, images, and other elements within the PDF. Some free tools, like PDFescape or Smallpdf, also offer basic editing capabilities. **How do I convert a Microelectronic Circuits 5th Edition Scribd PDF to another file format?** There are multiple ways to convert a PDF to another format: Use online converters like Smallpdf, Zamzar, or Adobe Acrobats export feature to convert PDFs to formats like Word, Excel, JPEG, etc. Software like Adobe Acrobat, Microsoft Word, or other PDF editors may have options to export or save PDFs in different formats. **How do I password-protect a Microelectronic Circuits 5th Edition Scribd PDF?** Most PDF editing software allows you to add password protection. In Adobe Acrobat, for instance, you can go to "File" -> "Properties" -> "Security" to set a password to restrict access or editing capabilities. Are there any free alternatives to Adobe Acrobat for working with PDFs? Yes, there are many free alternatives for working with PDFs, such as: LibreOffice: Offers PDF editing features. PDFsam: Allows splitting, merging, and editing PDFs. Foxit Reader: Provides basic PDF viewing and editing capabilities. How do I compress a PDF file? You can use online tools like Smallpdf, ILovePDF, or desktop software like Adobe

Acrobat to compress PDF files without significant quality loss. Compression reduces the file size, making it easier to share and download. Can I fill out forms in a PDF file? Yes, most PDF viewers/editors like Adobe Acrobat, Preview (on Mac), or various online tools allow you to fill out forms in PDF files by selecting text fields and entering information. Are there any restrictions when working with PDFs? Some PDFs might have restrictions set by their creator, such as password protection, editing restrictions, or print restrictions. Breaking these restrictions might require specific software or tools, which may or may not be legal depending on the circumstances and local laws.

Find Microelectronic Circuits 5th Edition Scribd :

[organizational behavior 7th edition](#)

organic chemistry 7th edition by paula bruice

[panorama intermediate russian language and culture](#)

oxford bookworms library stage 5 the age of innocence pack 1800 headwords

[overhaul procedures of piston engines](#)

[optoelectronics photonics macom](#)

password reset process alcatel lucent

partition piano my way frank sinatra partitions noviscore

[panneerselvam r 2004 research methodology](#)

[payroll management system project documentation](#)

paper 2 english grade 12 exemplar

outcall heathrow asian escort at sexy oriental escorts london

[optimization of suspension parameters to improve impact](#)

[par william marrion branham eglisedabidjan](#)

[pearson chemistry textbook chapter 12 lesson 2](#)

Microelectronic Circuits 5th Edition Scribd :

CLS Owners Manual.pdf Before you rst drive o , read this Operator's. Manual carefully and familiarize yourself with your vehicle. For your own safety and a longer operat- ing ... Owner's Manuals Your Mercedes-Benz Owner's Manual is your go-to resource for operating your vehicle. Browse and download manuals based on your vehicle class and year. Mercedes Benz CLS350 • Read this manual carefully for important safety information and operating instructions before using ... Mercedes

Benz CLS350. Repair Manuals & Literature for Mercedes-Benz CLS350 Get the best deals on Repair Manuals & Literature for Mercedes-Benz CLS350 when you shop the largest online selection at eBay.com. Mercedes CLS 350 Replacement Parts & Manuals, Clearance, FAQs. Fun Creation Inc. Mercedes CLS 350. Item # 1265. Owner's Manual: Mercedes CLS 350 (PDF). Genuine 04-07 Mercedes-Benz CLS-Class CLS350 ... Genuine 04-07 Mercedes-Benz CLS-Class CLS350 CLS500 CLS550 Owners Manual Set ; Quantity. 1 available ; Item Number. 126127549565 ; Year of Publication. 2006 ; Make. CLS350 Load Sense Sectional Mobile Valves The new Eaton CLS load sensing sectional mobile valve is a pre and post compensated mobile valve with a highly versatile design. This modularity is. 0 Mercedes-Benz Cls350 Owners Manual Book Guide ... 0 Mercedes-Benz Cls350 Owners Manual Book Guide OEM Used Auto Parts. SKU:73123. In stock. We have 1 in stock. Regular price \$ 59.49 \$ 17.15 Sale. Owner's Manuals Owner's Manuals. Discover your owner's manual. Navigate on the online manual or download the Owner's Manual PDF for fast access whenever you need it. Mercedes Benz CLS350 Kids Ride-On Car ... - TOBBI To find more surprise! User Manual www.tobbi.com. Page 2 ... Compound Sentences--Commas - Name Class Date ... ENGLISH101 - Compound Sentences--Commas - Name Class Date Lesson 76 Commas: Compound Sentences Use commas between the main clauses in a compound sentence. ... Commas and Compound Sentences Lesson 76. Class. Date. Commas and Compound Sentences. Use commas between the main clauses in a compound sentence. Place a comma before a coordinating ... Unit 12: Punctuation, Abbreviations, and Numbers Lesson 76. Class. Date. Commas: Compound Sentences. Use commas between the main clauses in a compound sentence. Place a comma before a coordinating conjunction ... UNIT 12 PUNCTUATION END-OF-SENTENCE LESSON 73 ... COMMAS: COMPOUND SENTENCES. LESSON 76 (EXERCISE 1). PAGES: 251-265. Susan's school performed Tom Sawyer, and she played Becky Thatcher. 1. The much-admired ... Commas: Compound Sentences Flashcards Study with Quizlet and memorize flashcards containing terms like go, none, Jersey and more. Lesson 76: Commas and Compound Sentences This activity was created by a Quia Web subscriber. Learn more about Quia. Create your own activities. Answer : Commas vs. Semicolons - Compound Sentences 3. The crab grass was flourishing, but the rest of the lawn, unfortunately, was dying. 4. The hill was covered with wildflowers; it was a beautiful sight. 5. As ... Commas in Compound sentences Flashcards Study with Quizlet and memorize flashcards containing terms like coordinating conjunctions, clause, phrase and more. Struggling with commas in compound sentences ... I noticed I'm having a ton of trouble with commas in very similar types of sentences. Here are some examples:. Commas in Compound Sentences Learn more about commas in compound sentences. Our lessons offer detailed explanations along with exercises to test your knowledge. Research Design and Methods: A Process Approach Research Design and Methods: A Process Approach takes students through the research process, from getting and developing a research idea, to designing and ... Research Design and Methods: A Process Approach Research Design and Methods: A Process Approach takes students through the research process, from getting and developing a research idea, to designing and ... Research Design and Methods: a Process Approach

by Research Design and Methods: A Process Approach, retains the general theme that characterized prior editions. As before, we take students through the ... Research design and methods: A process approach, 5th ed. by KS Bordens · 2002 · Cited by 3593 — Presents students with information on the numerous decisions they must make when designing and conducting research, and how early decisions affect how data ... Research Design and Methods: A Process Approach | Rent Publisher Description. Research Design and Methods: A Process Approach takes students through the research process, from getting and developing a research idea ... Research Design and Methods: A Process Approach Research Design and Methods: A Process Approach guides students through the research process, from conceiving of and developing a research idea, to designing ... Research design and methods: a process approach Takes students through the research process, from getting and developing a research idea, to designing and conducting a study, through analyzing and ... Research Design & Methods | Procedures, Types & ... Descriptive research, experimental research, correlational research, diagnostic research, and explanatory research are the five main types of research design ... Research Methods Guide: Research Design & Method Aug 21, 2023 — Research design is a plan to answer your research question. A research method is a strategy used to implement that plan. Research design and ... Research design and methods: a process approach (Book) Bordens, Kenneth S. and Bruce B Abbott. Research Design and Methods: A Process Approach. Ninth edition. New York, NY, McGraw-Hill Education, 2014.