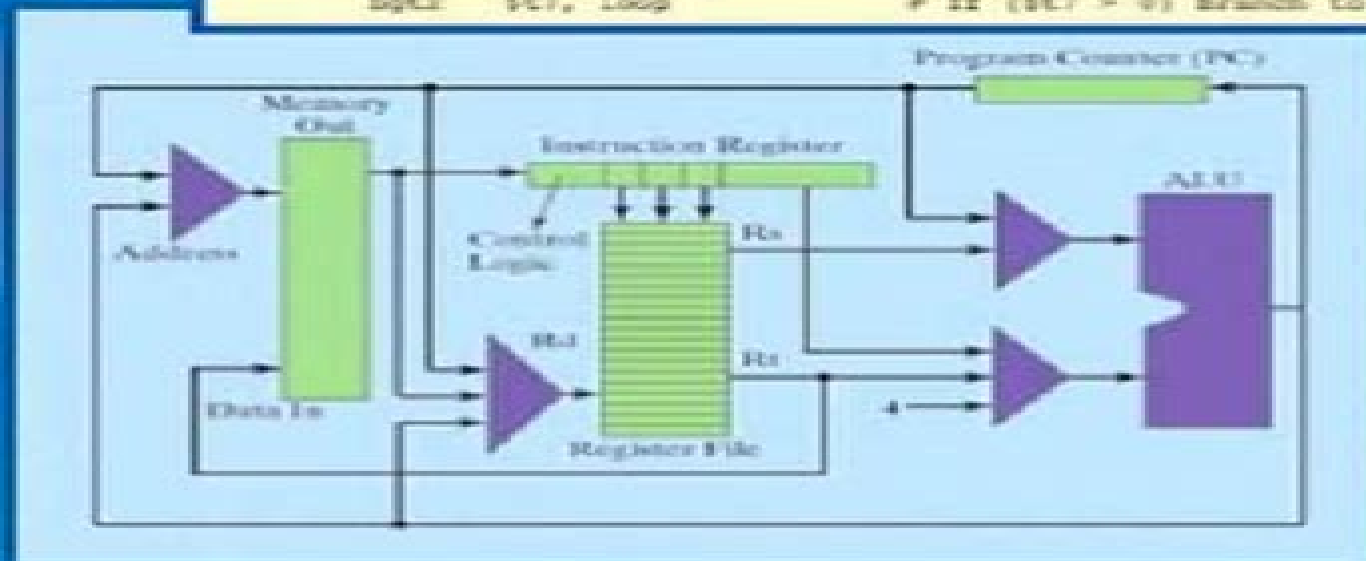


# MIPS

## Assembly Language Programming

```

li      $a2, 0           # load immediate $a2 = 0
li      $t7, 25         # initialize loop counter to 25
loop:
add     $a2, $a2, $t7   # $a2 = $a2 + $t7
addi   $t7, $t7, -1    # decrement loop counter
bgtz   $t7, loop      # if ($t7 > 0) branch to loop
    
```



**Robert L. Britton**

# Mips Assembly Language Programming Solutions

**Michael Day, Michael Koontz, Daniel  
Marshall**



## **Mips Assembly Language Programming Solutions:**

MIPS Assembly Language Programming Robert L. Britton, 2004 For freshman sophomore level courses in Assembly Language Programming Introduction to Computer Organization and Introduction to Computer Architecture Students using this text will gain an understanding of how the functional components of modern computers are put together and how a computer works at the machine language level MIPS architecture embodies the fundamental design principles of all contemporary RISC architectures By incorporating this text into their courses instructors will be able to prepare their undergraduate students to go on to upper division computer organization courses *Computer Organization and Design ARM Edition* David A. Patterson, John L. Hennessy, 2016-05-06 The new ARM Edition of Computer Organization and Design features a subset of the ARMv8 A architecture which is used to present the fundamentals of hardware technologies assembly language computer arithmetic pipelining memory hierarchies and I O With the post PC era now upon us Computer Organization and Design moves forward to explore this generational change with examples exercises and material highlighting the emergence of mobile computing and the Cloud Updated content featuring tablet computers Cloud infrastructure and the ARM mobile computing devices and x86 cloud computing architectures is included An online companion Web site provides links to a free version of the DS 5 Community Edition a free professional quality tool chain developed by ARM as well as additional advanced content for further study appendices glossary references and recommended reading Covers parallelism in depth with examples and content highlighting parallel hardware and software topics Features the Intel Core i7 ARM Cortex A53 and NVIDIA Fermi GPU as real world examples throughout the book Adds a new concrete example Going Faster to demonstrate how understanding hardware can inspire software optimizations that improve performance by 200X Discusses and highlights the Eight Great Ideas of computer architecture Performance via Parallelism Performance via Pipelining Performance via Prediction Design for Moore s Law Hierarchy of Memories Abstraction to Simplify Design Make the Common Case Fast and Dependability via Redundancy Includes a full set of updated exercises **Computer Organization and Design RISC-V Edition** David A. Patterson, John L. Hennessy, 2020-12-11 Computer Organization and Design RISC V Edition The Hardware Software Interface Second Edition the award winning textbook from Patterson and Hennessy that is used by more than 40 000 students per year continues to present the most comprehensive and readable introduction to this core computer science topic This version of the book features the RISC V open source instruction set architecture the first open source architecture designed for use in modern computing environments such as cloud computing mobile devices and other embedded systems Readers will enjoy an online companion website that provides advanced content for further study appendices glossary references links to software tools and more Covers parallelism in depth with examples and content highlighting parallel hardware and software topics Focuses on 64 bit address ISA to 32 bit address and ISA for RISC V because 32 bit RISC V ISA is simpler to explain and 32 bit address

computers are still best for applications like embedded computing and IoT Includes new sections in each chapter on Domain Specific Architectures DSA Provides updates on all the real world examples in the book **Computer Organization and Design** David A. Patterson,John L. Hennessy,2012 Rev ed of Computer organization and design John L Hennessy David A Patterson 1998 [XXXXXXXXXX/XXXX](#) John L. Hennessy,XXXX,David A. Patterson,1999 [68000 Assembly Language Programming](#) J. Michael Bennett,1987 *Mastering the Art of MIPS Assembly Programming: Unlock the Secrets of Expert-Level Skills* Larry Jones,2025-02-26 Unlock the full potential of your programming expertise with Mastering the Art of MIPS Assembly Programming Unlock the Secrets of Expert Level Skills This comprehensive guide goes beyond the basics delving deep into the sophisticated landscapes of MIPS assembly language By exploring advanced architectural features intricate data handling and optimizing performance this book equips seasoned programmers with the essential skills to elevate their coding prowess and tackle complex computational challenges effectively Each meticulously crafted chapter offers a wealth of knowledge from mastering control flow instructions to harnessing the power of macros and pseudo instructions The book seamlessly integrates practical applications with theoretical insights providing readers with a balanced understanding of both the micro and macro aspects of MIPS programming With detailed explanations real world case studies and strategic debugging techniques it ensures a holistic learning experience that empowers you to develop optimized high performance solutions across various domains Whether you re interfacing MIPS with high level languages or exploring real world applications in embedded systems this book illuminates the endless possibilities of MIPS assembly programming Perfect for advanced programmers seeking to refine their skills and for professionals looking to solve cutting edge problems with efficiency and precision Mastering the Art of MIPS Assembly Programming is your definitive resource Embrace the challenge and unlock new horizons in your programming journey with this essential guide *InfoWorld* ,1988-07-11 InfoWorld is targeted to Senior IT professionals Content is segmented into Channels and Topic Centers InfoWorld also celebrates people companies and projects **ACM SIGPLAN Notices** ,2004-05 *Tutorial, Microprogramming and Firmware Engineering* Veljko Milutinović,1989 [Byte](#) ,1998 **Embedded Systems Programming** ,1999-07 [Dr. Dobb's Journal](#) ,1996 [Design based Research](#) Kirat Pal Singh, Author Impact [Novell's Guide to Netware 4.0 NLM Programming](#) Michael Day,Michael Koontz,Daniel Marshall,1993 Here s a unique guide for developing NetWare server based applications filled with network programming methods techniques and theory The book contains extensive practical examples as well as sample code and thorough discussions regarding its use **ICASSP 93** ,1993 [IT++](#) Computer Society of India. Annual Convention,Computer Society of India,Manohar Chandwani,2005 *Proceedings* ,1982 **Datapro Directory of Microcomputer Software** ,1998 [Introduction to MIPS Assembly Language Programming](#) Charles W. Kann (III.),2015 This book was written to introduce students to assembly language programming in MIPS As with all assembly language programming texts it covers basic operators and instructions subprogram calling loading and storing

memory program control and the conversion of the assembly language program into machine code

Immerse yourself in heartwarming tales of love and emotion with its touching creation, Experience Love's Journey in **Mips Assembly Language Programming Solutions** . This emotionally charged ebook, available for download in a PDF format ( PDF Size: \*), is a celebration of love in all its forms. Download now and let the warmth of these stories envelop your heart.

[https://py.bijouxmedusa.com/data/Resources/Documents/florida\\_science\\_fusion\\_grade\\_8\\_unit\\_3.pdf](https://py.bijouxmedusa.com/data/Resources/Documents/florida_science_fusion_grade_8_unit_3.pdf)

## **Table of Contents Mips Assembly Language Programming Solutions**

1. Understanding the eBook Mips Assembly Language Programming Solutions
  - The Rise of Digital Reading Mips Assembly Language Programming Solutions
  - Advantages of eBooks Over Traditional Books
2. Identifying Mips Assembly Language Programming Solutions
  - Exploring Different Genres
  - Considering Fiction vs. Non-Fiction
  - Determining Your Reading Goals
3. Choosing the Right eBook Platform
  - Popular eBook Platforms
  - Features to Look for in an Mips Assembly Language Programming Solutions
  - User-Friendly Interface
4. Exploring eBook Recommendations from Mips Assembly Language Programming Solutions
  - Personalized Recommendations
  - Mips Assembly Language Programming Solutions User Reviews and Ratings
  - Mips Assembly Language Programming Solutions and Bestseller Lists
5. Accessing Mips Assembly Language Programming Solutions Free and Paid eBooks
  - Mips Assembly Language Programming Solutions Public Domain eBooks
  - Mips Assembly Language Programming Solutions eBook Subscription Services
  - Mips Assembly Language Programming Solutions Budget-Friendly Options
6. Navigating Mips Assembly Language Programming Solutions eBook Formats

- ePub, PDF, MOBI, and More
  - Mips Assembly Language Programming Solutions Compatibility with Devices
  - Mips Assembly Language Programming Solutions Enhanced eBook Features
7. Enhancing Your Reading Experience
    - Adjustable Fonts and Text Sizes of Mips Assembly Language Programming Solutions
    - Highlighting and Note-Taking Mips Assembly Language Programming Solutions
    - Interactive Elements Mips Assembly Language Programming Solutions
  8. Staying Engaged with Mips Assembly Language Programming Solutions
    - Joining Online Reading Communities
    - Participating in Virtual Book Clubs
    - Following Authors and Publishers Mips Assembly Language Programming Solutions
  9. Balancing eBooks and Physical Books Mips Assembly Language Programming Solutions
    - Benefits of a Digital Library
    - Creating a Diverse Reading Collection Mips Assembly Language Programming Solutions
  10. Overcoming Reading Challenges
    - Dealing with Digital Eye Strain
    - Minimizing Distractions
    - Managing Screen Time
  11. Cultivating a Reading Routine Mips Assembly Language Programming Solutions
    - Setting Reading Goals Mips Assembly Language Programming Solutions
    - Carving Out Dedicated Reading Time
  12. Sourcing Reliable Information of Mips Assembly Language Programming Solutions
    - Fact-Checking eBook Content of Mips Assembly Language Programming Solutions
    - Distinguishing Credible Sources
  13. Promoting Lifelong Learning
    - Utilizing eBooks for Skill Development
    - Exploring Educational eBooks
  14. Embracing eBook Trends
    - Integration of Multimedia Elements
    - Interactive and Gamified eBooks

### Mips Assembly Language Programming Solutions Introduction

Free PDF Books and Manuals for Download: Unlocking Knowledge at Your Fingertips In today's fast-paced digital age, obtaining valuable knowledge has become easier than ever. Thanks to the internet, a vast array of books and manuals are now available for free download in PDF format. Whether you are a student, professional, or simply an avid reader, this treasure trove of downloadable resources offers a wealth of information, conveniently accessible anytime, anywhere. The advent of online libraries and platforms dedicated to sharing knowledge has revolutionized the way we consume information. No longer confined to physical libraries or bookstores, readers can now access an extensive collection of digital books and manuals with just a few clicks. These resources, available in PDF, Microsoft Word, and PowerPoint formats, cater to a wide range of interests, including literature, technology, science, history, and much more. One notable platform where you can explore and download free Mips Assembly Language Programming Solutions PDF books and manuals is the internet's largest free library. Hosted online, this catalog compiles a vast assortment of documents, making it a veritable goldmine of knowledge. With its easy-to-use website interface and customizable PDF generator, this platform offers a user-friendly experience, allowing individuals to effortlessly navigate and access the information they seek. The availability of free PDF books and manuals on this platform demonstrates its commitment to democratizing education and empowering individuals with the tools needed to succeed in their chosen fields. It allows anyone, regardless of their background or financial limitations, to expand their horizons and gain insights from experts in various disciplines. One of the most significant advantages of downloading PDF books and manuals lies in their portability. Unlike physical copies, digital books can be stored and carried on a single device, such as a tablet or smartphone, saving valuable space and weight. This convenience makes it possible for readers to have their entire library at their fingertips, whether they are commuting, traveling, or simply enjoying a lazy afternoon at home. Additionally, digital files are easily searchable, enabling readers to locate specific information within seconds. With a few keystrokes, users can search for keywords, topics, or phrases, making research and finding relevant information a breeze. This efficiency saves time and effort, streamlining the learning process and allowing individuals to focus on extracting the information they need. Furthermore, the availability of free PDF books and manuals fosters a culture of continuous learning. By removing financial barriers, more people can access educational resources and pursue lifelong learning, contributing to personal growth and professional development. This democratization of knowledge promotes intellectual curiosity and empowers individuals to become lifelong learners, promoting progress and innovation in various fields. It is worth noting that while accessing free Mips Assembly Language Programming Solutions PDF books and manuals is convenient and cost-effective, it is vital to respect copyright laws and intellectual property rights. Platforms offering free downloads often operate within legal boundaries, ensuring that the materials they provide are either in the public domain or authorized for distribution. By adhering to copyright laws, users can enjoy the benefits of free access to



knowledge while supporting the authors and publishers who make these resources available. In conclusion, the availability of Mips Assembly Language Programming Solutions free PDF books and manuals for download has revolutionized the way we access and consume knowledge. With just a few clicks, individuals can explore a vast collection of resources across different disciplines, all free of charge. This accessibility empowers individuals to become lifelong learners, contributing to personal growth, professional development, and the advancement of society as a whole. So why not unlock a world of knowledge today? Start exploring the vast sea of free PDF books and manuals waiting to be discovered right at your fingertips.

### **FAQs About Mips Assembly Language Programming Solutions Books**

How do I know which eBook platform is the best for me? Finding the best eBook platform depends on your reading preferences and device compatibility. Research different platforms, read user reviews, and explore their features before making a choice. Are free eBooks of good quality? Yes, many reputable platforms offer high-quality free eBooks, including classics and public domain works. However, make sure to verify the source to ensure the eBook credibility. Can I read eBooks without an eReader? Absolutely! Most eBook platforms offer web-based readers or mobile apps that allow you to read eBooks on your computer, tablet, or smartphone. How do I avoid digital eye strain while reading eBooks? To prevent digital eye strain, take regular breaks, adjust the font size and background color, and ensure proper lighting while reading eBooks. What the advantage of interactive eBooks? Interactive eBooks incorporate multimedia elements, quizzes, and activities, enhancing the reader engagement and providing a more immersive learning experience. Mips Assembly Language Programming Solutions is one of the best book in our library for free trial. We provide copy of Mips Assembly Language Programming Solutions in digital format, so the resources that you find are reliable. There are also many Ebooks of related with Mips Assembly Language Programming Solutions. Where to download Mips Assembly Language Programming Solutions online for free? Are you looking for Mips Assembly Language Programming Solutions PDF? This is definitely going to save you time and cash in something you should think about.

### **Find Mips Assembly Language Programming Solutions :**

[florida science fusion grade 8 unit 3](#)

[first trimester abnormalities on ultrasound](#)

[financial management maturity model national](#)

[financial statements analysis books pdf soup](#)

[flow chart for custard production](#)

[financial reporting and analysis john dunn](#)

**ford fiesta 1995 espanol**

[feedback control of dynamic systems 6th edition ebook](#)

**first language acquisition by eve v clark**

**fisk university forbes**

[fine arts questions and answers](#)

**financial accounting chapter 1 solutions**

[fighting silence on the ropes 1 aly martinez](#)

[food and nutrition swaminathan](#)

**fisiologia animal hill pdf download y sistema**

**Mips Assembly Language Programming Solutions :**

**1974 kawasaki 90 mc1a mc1m motorcycle owners** - Nov 22 2022

web kawasaki mc1 manual downloaded from programma syriza gr by guest davies kaelyn kawasaki ninja 250r 1988 2012

cabi engine tuning expert a graham bell steers you

**kawasaki mc1 manual pdf gccca eu** - Oct 22 2022

web kawasaki ninja 250r 1988 2012 kawasaki mc1 manual downloaded from analytics mirowin com by guest danielle gamble

electric vehicles prospects and

**kawasaki mc1 m 90cc the junk man s adventures** - May 29 2023

web find many great new used options and get the best deals for kawasaki workshop manual mc1 km90 1973 1974 1975

1976 1977 and 1978 service at the best online

[kawasaki mc1m 1974 usa canada parts lists and schematics](#) - Feb 23 2023

web kawasaki genuine workshop manual mc1 m series 1974 opens in a new window or tab pre owned private eur 44 21

gwiwal 22 179 100 or best offer eur 25 79

[download free kawasaki mc1 manual domainlookup org](#) - Nov 10 2021

*kawasaki mc1 wiring diagram mydiagram online* - Sep 20 2022

web kawasaki mc1 manual downloaded from mucho goldenpalace com by guest yu lee detection of low current short circuits

springer science business media this volume

**kawasaki mc1 manual** - Jun 17 2022

web kawasaki mc1 1974 kawasaki 80 350cc rotary valve 1966 2001 repair manual by clymer format paperback clymer repair manual is written specifically for the do it

**kawasaki mc1 manual wp publish com** - Jan 13 2022

*kawasaki mc1 ebay* - Dec 24 2022

web oct 1 2023 when you install the kawasaki mc1 wiring diagram adequately it truly is attractive to have a look at this aids in maximizing the glimpse of the property manual

kawasaki motorcycle scooter manuals pdf - Apr 27 2023

web kawasaki mc1m 1974 usa canada parts list fifty eight kawasaki mc1m 1974 usa canada parts fiche schematic pages the mc1m 1974 usa canada parts lists can

kawasaki mc1 repair manuals exhaust engine body - Jun 29 2023

web here are the performance modifications specific to the mc1 m 90cc from the clymer service manual m350 seventh edition 1966 1980 rotary valve singles what fits and what

kawasaki mc1 manual analytics mirowin com - Jul 19 2022

web 2 kawasaki mc1 manual 2020 01 04 both natural and synthetic organohalides are formed and degraded and how these processes are incorporated into a global halogen cycle

1974 kawasaki mc1 service manuals motorcycleid com - Feb 11 2022

web mar 25 2023 download and install the kawasaki mc1 manual it is unconditionally easy then back currently we extend the colleague to purchase and create bargains to

*service manual mc1 mc1 20 00 vintage kawasaki* - Jan 25 2023

web mar 25 2023 we present you this proper as skillfully as simple habit to get those all we give kawasaki mc1 manual pdf and numerous books collections from fictions to

*1974 kawasaki mc1 repair manuals motorcycleid* - Mar 15 2022

web parts list info kawasaki mc1 midibike 1973 usa canada on line schematics your first port of call when repairing or restoring access one thousand four hundred seventy one

*kawasaki mc1 manual programma syriza gr* - Aug 20 2022

web kawasaki mc1 manual downloaded from eagldemo2 eagltechnology com by guest esmeralda cassius kawasaki kx60 1983 2002 kx80 1983 1990 causey

kawasaki mc1 km90 cyclechaos - Sep 01 2023

web kawasaki mc1 service manuals kawasaki mc1 service manuals sort by 1 10 of 10 results clymer kawasaki manuals 0 33 99 50 54 haynes manuals motorcycle

*kawasaki workshop manual mc1 km90 e* - Mar 27 2023

web mar 8 2016 product 32 55 service manual mc1 larger image 20 00 service manual mc1 nos oem nla fits mc1 series bikes loc unit part 99997

**kawasaki mc1 manual** - Apr 15 2022

web kawasaki mc1 manual kawasaki mc1 manual 2 downloaded from wp publish com on 2022 01 22 by guest thru 2003 and the rsv mille r 1999 thru 2003 routine

**kawasaki mc1 service manuals motorcycleid com** - Jul 31 2023

web motorcycleid is your trusted source for all your kawasaki mc1 repair manuals needs we expand our inventory daily to give you the latest and greatest in motorcycle products

owner s manuals service manuals kawasaki owners - Oct 02 2023

web get quick and easy access to information specific to your kawasaki vehicle download official owner s manuals and order service manuals for kawasaki vehicles

kawasaki mc1 manual eagldemo2 eagltechnology com - May 17 2022

web kawasaki mc1 1974 kawasaki 80 350cc rotary valve 1966 2001 repair manual by clymer format paperback clymer repair manual is written specifically for the do it

**kawasaki mc1 midibike 1973 usa canada parts lists and** - Dec 12 2021

*annual leave letter definition how to write and example* - Sep 04 2022

web jun 30 2023 updated june 30 2023 when you plan to take an extended leave of absence by using your accrued annual leave days it s common practice to write an annual leave letter annual leave days are days of paid leave time that employees can use to take time away from their job

**sample email requesting for leave approval tips and examples** - Aug 03 2022

web jul 10 2023 learn how to write a professional email requesting for leave approval from your employer or manager our sample email template and tips will help you create an effective leave request message

**leave of absence approval employee west virginia** - Jan 28 2022

web the purpose of this letter is to acknowledge receipt of your physician s statement form dop l3 and your request for a medical leave of absence from your position as classification dated date that you submitted to name title

*sample approval letter to approve a vacation or leave careerride* - Nov 06 2022

web mar 23 2014 this sample letter is a format for approving a vacation or a leave for an employee by hr it can be used by the hr department to inform an employee about the successful grant of a request for vacation or leave whether a short or long one

**leave request approval template jotform** - Feb 26 2022

web gather formal leave requests from employees and automate your company s approval flow with this readymade leave request approval template when an employee fills out the attached leave request form the people in the approval flow likely an hr specialist and team lead will be notified to respond

*approval of leave sample clauses 134 samples law insider* - Dec 27 2021

web approval of leave if the employee complies with all provisions of this section and a leave is granted by the school board the employee will be notified in writing sample 1 sample 2 sample 3 see all 14 approval of leave authorization for or denial of a requested leave of absence with pay of more than ten 10 working days duration shall

**leave approval letter sample template format jobzilla** - Mar 10 2023

web leave approval letter sample 1 dear employee name in accordance with company policy i have evaluated your requested leave of absence and i m happy to grant approval you are hereby granted leave between the following dates start date end date if there are any changes to this situation please get in touch immediately

leave of absence acceptance letter template paycor - Apr 30 2022

web jul 9 2020 get leave of absence letter template download now every business needs a leave of absence policy that clearly lays out how employees can apply for time away from work and what the terms of this leave will be

**a letter of approval for a leave sample letter letterspro com** - Oct 05 2022

web dear recipients name i am happy to tell you that your leave for the month of august has been approved as per our agreement you shall still be given 40 of your salary during your leave and you shall immediately be reinstated in

**how to write a leave approval letter woculus** - Jul 14 2023

web apr 17 2023 by jim blessed may 4 2022 like the name rightly implies a leave approval letter is a letter written to confirm or approve the leave request of an employee for a stipulated period as an employer supervisor or hr personnel it may be among your duties to approve leave for your employees or colleagues

*a free annual leave approval letter sample a better option* - Apr 11 2023

web a free annual leave approval letter sample adenine beats option tell me i m inaccurate but managing staff leave requests through letters emails and spreadsheets is a pain in the rump right it consumes insert time and energy mistakes are lightweight to construct press it s harder until make last minute changes

**how to write a leave letter application with example** - Jul 02 2022

web dec 16 2022 4 introduce the purpose of the letter in the first line make a formal request for leave and explain why you require to take time off this is important to convey the purpose and intention of the letter clearly keep the first paragraph short and mention this information in about one or two lines only

**leave approval letter sample permission granted letter for leave** - Jun 01 2022

web request letter for seeking permission for leave from employer sample leave approval letter show more show more

**approve a vacation or leave of absence free sample letters** - Feb 09 2023

web sample i am pleased to inform you that your leaves for vacation are sanctioned from 5th september to 10th september as requested by you i understand family means a lot and you must give some time to your family by taking them for a vacation by doing this you are making them feel special in your life

approve a vacation or leave of absence example letters - Dec 07 2022

web example letter 1 copied we are happy to grant your leave request for october 16 through 22 just be sure to discuss the doe account with jane before you go so we can avoid any complications during your absence have a good time example letter 2 copied i am happy to approve your request for vacation leave from july 1 to july 12

leave application approval letter all business templates - Jan 08 2023

web make use of our leave letter template to help to come to a perfect personalized version the objective of writing this letter is to request a period of temporary leave it will mainly depend on the reason you apply for leave whether or not you want to use a formal intonation

**permission letter to employee for leave from work sample** - Jun 13 2023

web permission letter to employee for leave from work sample posted by vik mohapatra all employees of an organization are required to obtain approval before going on leave absence from work due to personal reasons some companies may allow a leave application from an employee after he goes on a leave in case of any emergency

**10 study leave approval letter templates pdf doc** - Mar 30 2022

web mar 28 2021 what to write in a study leave approval letter drafting a study leave approval letter requires a lot of intricate details the letter should adhere to the guidelines of the organization for it to get approved you should be very particular about the details of the leave and leave no room for doubt or confusion

leave approval letter sample permission granted letter for leave - Aug 15 2023

web january 5 2021 to employee name designation department date date subject leave approval with reference to your application number application number i we recieved on date seeking permission for a leave of number of days

free annual leave approval letter sample a better option - May 12 2023

web here we ve got some free annual leave approval letter samples you ll find the templates you need here plus a much

better option one good way to standardise your leave management is to use a leave approval letter sample

[raw vegan cookbook top 25 delicious dessert recipes plant](#) - Oct 09 2023

web nov 30 2016 raw vegan cookbook top 25 delicious dessert recipes plant based diet to lose weight for beginners green mrs rebecca on amazon com free shipping on qualifying offers raw vegan cookbook top 25 delicious dessert recipes plant based diet to lose weight for beginners

[raw vegan cookbook top 25 delicious dessert recipes plant](#) - Nov 29 2022

web raw vegan cookbook top 25 delicious dessert recipes plant based diet to lose weight for beginners english edition ebook green rebecca amazon de kindle shop

[15 decadent raw vegan no bake dessert recipes](#) - May 04 2023

web 1 raw carrot cake cupcakes with cream cheese frosting source raw carrot cake cupcakes gena hemshaw s raw carrot cake cupcakes are the perfect single serving dessert in a cup they are

**raw vegan cookbook top 25 delicious dessert recipes plant** - Apr 03 2023

web raw vegan cookbook top 25 delicious dessert recipes plant based diet to lose weight for beginners green mrs rebecca isbn 9781540614346 kostenloser versand für alle bücher mit versand und verkauf durch amazon

[25 raw vegan dessert recipes and raw baking tips tcpk](#) - Sep 08 2023

web feb 17 2021 these 25 raw vegan gluten free desserts are super easy healthy vegan dessert recipes to fix your sweet tooth learn how easy and nourishing you can bake with raw flour and plant based ingredients to create the best vegan no bake cookies raw cheesecakes and raw brownies

**raw vegan cookbook top 25 delicious dessert recipes plant** - Jun 05 2023

web raw vegan cookbook top 25 delicious dessert recipes plant based diet to lose weight for beginners green mrs rebecca 9781540614346 books amazon ca

**raw vegan cookbook top 25 delicious dessert recipes plant** - Jul 06 2023

web buy raw vegan cookbook top 25 delicious dessert recipes plant based diet to lose weight for beginners volume 1 by green mrs rebecca online on amazon ae at best prices fast and free shipping free returns cash on delivery available on eligible purchase

**raw vegan cookbook top 25 delicious dessert recipes plant** - Aug 07 2023

web buy raw vegan cookbook top 25 delicious dessert recipes plant based diet to lose weight for beginners volume 1 by green mrs rebecca isbn 9781540614346 from amazon s book store everyday low prices and free delivery on eligible orders

**raw vegan cookbook top 25 delicious dessert recipes plant** - Jul 26 2022

web raw vegan cookbook top 25 delicious dessert recipes plant based diet to lose weight for beginners volume 1 green mrs

rebeca amazon es libros

**raw vegan cookbook top 25 delicious dessert recipes plant** - Sep 27 2022

web compre online raw vegan cookbook top 25 delicious dessert recipes plant based diet to lose weight for beginners de green rebecca na amazon frete grÁtis em milhares de produtos com o amazon prime encontre diversos livros escritos por green rebecca com ótimos preços

raw vegan cookbook top 25 delicious dessert recipes plant - Jun 24 2022

web oct 10 2023 raw vegan cookbook top 25 delicious dessert recipes plant based diet to lose weight for beginners october 10 2023 vegan mob vegan bbq and soul food a plant based cookbook

raw vegan cookbook top 25 delicious dessert recipes plant - Oct 29 2022

web raw vegan cookbook top 25 delicious dessert recipes plant based diet to lose weight for beginners english edition ebook green rebecca amazon nl kindle store

*raw vegan cookbook top 25 delicious dessert recipes plant* - Aug 27 2022

web amazon com raw vegan cookbook top 25 delicious dessert recipes plant based diet to lose weight for beginners ebook green rebecca tienda kindle

*raw vegan cookbook top 25 delicious dessert recipes pl* - Dec 31 2022

web raw vegan cookbook top 25 delicious dessert recipes plant based diet to lose weight for beginners

*10 vegan dessert cookbooks you need in your life* - Feb 01 2023

web nov 26 2022 here are a few of our favorite vegan dessert recipes at world of vegan that we know you re going to love classic vegan chocolate chip cookies fresh vegan strawberry ice cream super easy vegan birthday cake this vegan dessert cookbooks guide is not sponsored and we only share products and books we sincerely adore

*raw vegan cookbook top 25 delicious dessert recipes plant based* - Apr 22 2022

web raw vegan cookbook top 25 delicious dessert recipes plant based diet to lose weight for beginners kindle edition by rebecca green author format kindle edition 5 0 3 ratings see all formats and editions kindle edition 0 00 this title and over 1 million more are available with kindle unlimited 2 41 to buy paperback 8 64 1 new from 8 64

*raw vegan cookbook top 25 delicious dessert recipes plant based* - May 24 2022

web nov 22 2016 raw vegan cookbook top 25 delicious dessert recipes plant based diet to lose weight for beginners kindle edition by green rebecca download it once and read it on your kindle device pc phones or tablets

**raw vegan cookbook top 25 delicious dessert recipes plant** - Mar 02 2023

web raw vegan cookbook top 25 delicious dessert recipes plant based diet to lose weight for beginners ebook green rebecca amazon com au books



