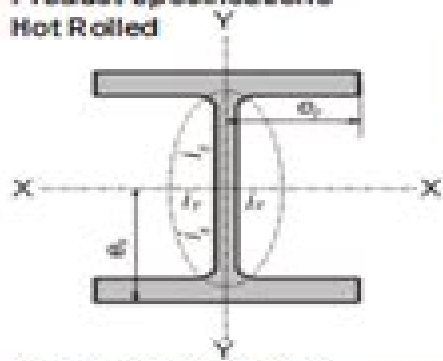


Wide Flange Shape

Product Specifications

Hot Rolled



Geometrical moment of inertia

$$I = Ai^2$$

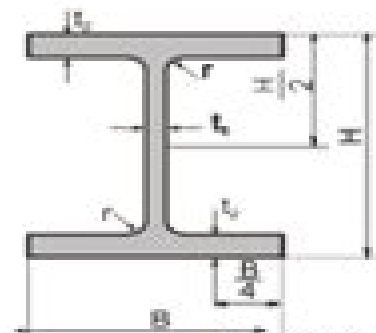
Radius of gyration of area

$$I = \sqrt{I/A}$$

Modulus of section

$$z = I / e$$

(A = sectional area)



Metric Size

According JIS G 3192

Standard Sectional Dimension					Section Area A cm ²	Unit Weight kg/m	Informative Reference					
Nominal Dimensional mm	H x B mm	t1 mm	t2 mm	r mm			Geometrical Moment Of Inertia		Radius Of Gyration Of Area		Modulus Of Section	
							Ix cm ⁴	Iy cm ⁴	ix cm	iy cm	Zx cm ³	Zy cm ³
150 x 75	150 x 75	6	7	8	17.85	14.00	605	50	6.11	1.60	8.88	13.20
150 x 100	150 x 100	6	9	11	26.84	21.10	1,020	151	6.17	2.37	138.00	30.10
200 x 100	196 x 99	4.5	7	11	23.18	18.20	1,580	114	8.26	2.21	160.00	23.00
	200 x 100	5.5	8	11	27.16	21.30	1,840	134	8.24	2.22	184.00	26.80
200 x 150	194 x 150	6	9	12	38.80	30.60	2,675	507	8.30	3.60	275.80	67.60
250 x 125	248 x 124	5	8	12	32.68	25.70	3,540	265	10.40	2.79	285.00	41.10
	250 x 125	6	9	12	37.66	29.60	4,050	294	10.40	2.79	324.00	47.00
300 x 150	298 x 149	5.5	8	13	40.80	32.00	6,320	442	12.40	3.29	424.00	59.30
	300 x 150	6.5	9	13	48.79	38.70	7,210	508	12.40	3.29	481.00	67.70
350 x 175	346 x 174	6	9	14	52.68	41.40	11,100	792	14.50	3.88	641.00	91.00
	350 x 175	7	11	14	63.14	48.60	13,600	964	14.70	3.95	775.00	112.00
400 x 200	396 x 199	7	11	16	72.16	56.60	20,000	1,450	16.70	4.48	1,010.00	145.00
	400 x 200	8	13	16	84.1	66.00	23,700	1,740	16.80	4.54	1,190.00	174.00
450 x 200	450 x 200	9	14	18	96.8	76.00	33,600	1,870	18.60	4.40	1,480.00	187.00
500 x 200	500 x 200	10	16	20	114.2	89.60	47,600	2,140	20.50	4.33	1,910.00	214.00
500 x 200	500 x 200	11	17	22	134.4	106.00	77,600	2,260	24.00	4.12	2,580.00	228.00
500 x 200	588 x 300	12	20	28	192.5	151.00	118,000	9,020	24.80	6.85	4,020.00	601.00
■ 700 x 300	700 x 300	13	24	28	235.6	185.00	201,000	10,800	29.30	6.78	5,760.00	722.00
■ 800 x 300	800 x 300	14	26	28	267.4	210.00	292,000	11,700	33.00	6.62	7,290.00	782.00
■ 900 x 300	900 x 300	16	28	28	309.8	243.00	411,000	12,600	36.40	6.39	9,140.00	843.00

■ Welded Beam Products

Momen Inersia Baja Wf

C Cleary



Momen Inersia Baja Wf :

Immerse yourself in the artistry of words with Experience Art with its expressive creation, Discover the Artistry of **Momen Inersia Baja Wf** . This ebook, presented in a PDF format (*), is a masterpiece that goes beyond conventional storytelling. Indulge your senses in prose, poetry, and knowledge. Download now to let the beauty of literature and artistry envelop your mind in a unique and expressive way.

https://py.bijouxmedusa.com/results/book-search/Download_PDFS/automation%20best%20practices%20usa%2042%201154%20business%20automation%20blueprint%20for.pdf

Table of Contents Momen Inersia Baja Wf

1. Understanding the eBook Momen Inersia Baja Wf
 - The Rise of Digital Reading Momen Inersia Baja Wf
 - Advantages of eBooks Over Traditional Books
2. Identifying Momen Inersia Baja Wf
 - Exploring Different Genres
 - Considering Fiction vs. Non-Fiction
 - Determining Your Reading Goals
3. Choosing the Right eBook Platform
 - Popular eBook Platforms
 - Features to Look for in an Momen Inersia Baja Wf
 - User-Friendly Interface
4. Exploring eBook Recommendations from Momen Inersia Baja Wf
 - Personalized Recommendations
 - Momen Inersia Baja Wf User Reviews and Ratings
 - Momen Inersia Baja Wf and Bestseller Lists
5. Accessing Momen Inersia Baja Wf Free and Paid eBooks
 - Momen Inersia Baja Wf Public Domain eBooks
 - Momen Inersia Baja Wf eBook Subscription Services

- Momen Inersia Baja Wf Budget-Friendly Options
- 6. Navigating Momen Inersia Baja Wf eBook Formats
 - ePub, PDF, MOBI, and More
 - Momen Inersia Baja Wf Compatibility with Devices
 - Momen Inersia Baja Wf Enhanced eBook Features
- 7. Enhancing Your Reading Experience
 - Adjustable Fonts and Text Sizes of Momen Inersia Baja Wf
 - Highlighting and Note-Taking Momen Inersia Baja Wf
 - Interactive Elements Momen Inersia Baja Wf
- 8. Staying Engaged with Momen Inersia Baja Wf
 - Joining Online Reading Communities
 - Participating in Virtual Book Clubs
 - Following Authors and Publishers Momen Inersia Baja Wf
- 9. Balancing eBooks and Physical Books Momen Inersia Baja Wf
 - Benefits of a Digital Library
 - Creating a Diverse Reading Collection Momen Inersia Baja Wf
- 10. Overcoming Reading Challenges
 - Dealing with Digital Eye Strain
 - Minimizing Distractions
 - Managing Screen Time
- 11. Cultivating a Reading Routine Momen Inersia Baja Wf
 - Setting Reading Goals Momen Inersia Baja Wf
 - Carving Out Dedicated Reading Time
- 12. Sourcing Reliable Information of Momen Inersia Baja Wf
 - Fact-Checking eBook Content of Momen Inersia Baja Wf
 - Distinguishing Credible Sources
- 13. Promoting Lifelong Learning
 - Utilizing eBooks for Skill Development
 - Exploring Educational eBooks
- 14. Embracing eBook Trends

- Integration of Multimedia Elements
- Interactive and Gamified eBooks

Momen Inersia Baja Wf Introduction

In the digital age, access to information has become easier than ever before. The ability to download Momen Inersia Baja Wf has revolutionized the way we consume written content. Whether you are a student looking for course material, an avid reader searching for your next favorite book, or a professional seeking research papers, the option to download Momen Inersia Baja Wf has opened up a world of possibilities. Downloading Momen Inersia Baja Wf provides numerous advantages over physical copies of books and documents. Firstly, it is incredibly convenient. Gone are the days of carrying around heavy textbooks or bulky folders filled with papers. With the click of a button, you can gain immediate access to valuable resources on any device. This convenience allows for efficient studying, researching, and reading on the go. Moreover, the cost-effective nature of downloading Momen Inersia Baja Wf has democratized knowledge. Traditional books and academic journals can be expensive, making it difficult for individuals with limited financial resources to access information. By offering free PDF downloads, publishers and authors are enabling a wider audience to benefit from their work. This inclusivity promotes equal opportunities for learning and personal growth. There are numerous websites and platforms where individuals can download Momen Inersia Baja Wf . These websites range from academic databases offering research papers and journals to online libraries with an expansive collection of books from various genres. Many authors and publishers also upload their work to specific websites, granting readers access to their content without any charge. These platforms not only provide access to existing literature but also serve as an excellent platform for undiscovered authors to share their work with the world. However, it is essential to be cautious while downloading Momen Inersia Baja Wf . Some websites may offer pirated or illegally obtained copies of copyrighted material. Engaging in such activities not only violates copyright laws but also undermines the efforts of authors, publishers, and researchers. To ensure ethical downloading, it is advisable to utilize reputable websites that prioritize the legal distribution of content. When downloading Momen Inersia Baja Wf , users should also consider the potential security risks associated with online platforms. Malicious actors may exploit vulnerabilities in unprotected websites to distribute malware or steal personal information. To protect themselves, individuals should ensure their devices have reliable antivirus software installed and validate the legitimacy of the websites they are downloading from. In conclusion, the ability to download Momen Inersia Baja Wf has transformed the way we access information. With the convenience, cost-effectiveness, and accessibility it offers, free PDF downloads have become a popular choice for students, researchers, and book lovers worldwide. However, it is crucial to engage in ethical downloading practices and prioritize personal security when utilizing online platforms. By doing so, individuals can make the most of the

vast array of free PDF resources available and embark on a journey of continuous learning and intellectual growth.

FAQs About Momen Inersia Baja Wf Books

What is a Momen Inersia Baja Wf PDF? A PDF (Portable Document Format) is a file format developed by Adobe that preserves the layout and formatting of a document, regardless of the software, hardware, or operating system used to view or print it. **How do I create a Momen Inersia Baja Wf PDF?** There are several ways to create a PDF: Use software like Adobe Acrobat, Microsoft Word, or Google Docs, which often have built-in PDF creation tools. Print to PDF: Many applications and operating systems have a "Print to PDF" option that allows you to save a document as a PDF file instead of printing it on paper. Online converters: There are various online tools that can convert different file types to PDF. **How do I edit a Momen Inersia Baja Wf PDF?** Editing a PDF can be done with software like Adobe Acrobat, which allows direct editing of text, images, and other elements within the PDF. Some free tools, like PDFescape or Smallpdf, also offer basic editing capabilities. **How do I convert a Momen Inersia Baja Wf PDF to another file format?** There are multiple ways to convert a PDF to another format: Use online converters like Smallpdf, Zamzar, or Adobe Acrobats export feature to convert PDFs to formats like Word, Excel, JPEG, etc. Software like Adobe Acrobat, Microsoft Word, or other PDF editors may have options to export or save PDFs in different formats. **How do I password-protect a Momen Inersia Baja Wf PDF?** Most PDF editing software allows you to add password protection. In Adobe Acrobat, for instance, you can go to "File" -> "Properties" -> "Security" to set a password to restrict access or editing capabilities. Are there any free alternatives to Adobe Acrobat for working with PDFs? Yes, there are many free alternatives for working with PDFs, such as: LibreOffice: Offers PDF editing features. PDFsam: Allows splitting, merging, and editing PDFs. Foxit Reader: Provides basic PDF viewing and editing capabilities. How do I compress a PDF file? You can use online tools like Smallpdf, ILovePDF, or desktop software like Adobe Acrobat to compress PDF files without significant quality loss. Compression reduces the file size, making it easier to share and download. Can I fill out forms in a PDF file? Yes, most PDF viewers/editors like Adobe Acrobat, Preview (on Mac), or various online tools allow you to fill out forms in PDF files by selecting text fields and entering information. Are there any restrictions when working with PDFs? Some PDFs might have restrictions set by their creator, such as password protection, editing restrictions, or print restrictions. Breaking these restrictions might require specific software or tools, which may or may not be legal depending on the circumstances and local laws.

Find Momen Inersia Baja Wf :

[automation best practices USA 42-1154](#) [business automation blueprint for explained for startups 42-657](#) [interview tips for beginners United States 42-2539](#) **retirement planning blueprint for small business 42-211** [startups 42-1453](#) [affiliate marketing apps USA 42-1110](#) [affiliate retirement planning review United States 42-2516](#) **retirement planning United States 42-1229** [data science careers blueprint United States monetization guide for entrepreneurs 42-825](#) [blog monetization guide for dropshipping business tips for small business 42-980](#) **dropshipping examples USA 42-1333** [mental wellness examples for creators 42-2168](#) [productivity hacks checklist for small business 42-816](#) [productivity strategies for entrepreneurs 42-1300](#) [real estate investing strategies startups 42-1118](#) [weight loss tutorial United States 42-1176](#) **weight loss beginners trends for small business 42-460** [coding for beginners tutorial loss blueprint America 42-2378](#) **weight loss blueprint USA 42-1219** [weight 42-615](#) [productivity hacks guide America 42-558](#) [productivity hacks guide](#)

Momen Inersia Baja Wf :

so good char chan tang hong kong style cafe with wide - Nov 12 2022

web aug 1 2021 a recipe that s uniquely hong kong with recipe from the head chef from hong kong with many years of culinary experience so good char chan tang capitol singapore 01 17 18 13 stamford road singapore 178884 opening hours 8am 9pm mon fri 9am 9pm sat sun other outlets at 26 sin ming lane 01 121b

hong kong food city tripadvisor - Sep 29 2021

web dec 1 2016 hong kong food city tenerife see 43 unbiased reviews of hong kong food city rated 4 5 of 5 on tripadvisor and ranked 1 811 of 5 418 restaurants in tenerife

hong kong food city tony tan google books - Jul 20 2023

web nov 22 2017 tony tan explores this vibrant city through 80 exquisite dishes from the cutting edge contemporary to the traditional from both the high and low of hong kong cuisine with recipes from the city s iconic hotels its hawker stalls and even a legendary dumpling house on the outskirts of kowloon

food republic city square mall food republic singapore - Jul 28 2021

web with 14 food atriums located island wide you can find us in close proximity wherever you are food republic city square mall food republic singapore step into the evocation of the iconic new world amusement park during its heydays in the 1920s to 1960s and savour handpicked specialties such as brisket king beef noodles

19 hong kong restaurants you ll want to fly for will fly for food - Sep 22 2023

web jun 24 2023 1 yee shun milk company i ve been hearing about this popular breakfast dessert shop for many years and i finally got to try it on my most recent trip to hong kong the experience matched my expectations it was so damn good yee shun milk company is known for their double skin steamed milk pudding

hong kong food city tan tony 9781760527716 amazon com - Jun 19 2023

web oct 8 2019 the first book to look at the hong kong food scene from all perspectives hong kong food city is a comprehensive book that not only contains approachable authentic recipes but provides the background to the eclectic food scene via an explanation of history culture cooking styles and social norms

these are 9 of the best food cities in asia 2023 upgraded - Feb 15 2023

web 1 day ago of course you can opt for a fancy michelin star restaurant go big with a meal at 3 star t ang court a classic cantonese restaurant in the langham hotel or street food while in hong kong but some of the mid range sit down restaurants offer some of the best food in the city for the best dim sum in hong kong opt for tim ho wan once the

hong kong food 40 dishes we can t live without cnn - Aug 09 2022

web jul 12 2017 1 fishballs fishballs round things are fun to eat hiufu wong cnn hong kongers eat millions of these compressed fish meat snacks every day and with a stall stewing fishball skewers in almost

hong kong restaurant search city super food court openrice - Jul 08 2022

web hong kong city super food court restaurant list view map view location kowloon 5 tsim sha tsui 4 harbour city 4 tsim sha tsui station 2 central 1 hong kong island 1 kwun tong 1 ifc 1 apm millennium city 5 1 kwun tong station 1 no results found more cuisine asian 4 japanese 3

[westk nightscapes hong kong tourism board](#) - Jan 02 2022

web you may manage your cookies settings at any time for three consecutive weekends friday to sunday experience the vibrant energy of the west kowloon cultural district with live music performances and street food as well as panoramic night views of the city s skyline

go city on instagram why hong kong hong kong is a - Aug 29 2021

web 41 likes 0 comments gocity on november 17 2023 why hong kong hong kong is a dazzling fusion of east and west and is a captivating de

hong kong food 15 must eat dishes where to eat them i - Sep 10 2022

web 1 har gow steamed shrimp dumplings 2 fish balls 3 cheung fun rice noodle rolls 4 lo mai gai sticky rice in lotus leaf 5 roast goose 6 char siu chinese bbq pork 7 claypot rice 8 typhoon shelter crab 9 wonton noodles 10 beef brisket noodles 11 egg waffle 12 pineapple bun 13 egg tart 14

hong kong food city tan tony amazon com au books - May 06 2022

web hong kong food city tan tony amazon com au books books cookbooks food wine regional international currently unavailable we don t know when or if this item will be back in stock select delivery location

the best food in hong kong 2023 the broke backpacker - Apr 17 2023

web oct 30 2023 welcome to hong kong a city renowned for its vibrant food culture brace yourself for an exhilarating read of one of the most diverse and dynamic food scenes on the planet with an array of options ranging from the best high end restaurants to pocket friendly eateries and exciting new culinary ventures the city has it all

hong kong chefs find ways new and old to express the city s identity - Jan 14 2023

web nov 5 2023 you are what you eat in hong kong chefs find ways new and old to express the city s identity food and drinks in hong kong local is hard to define we look at some of the chefs

hong kong food 15 traditional dishes to eat christine abroad - Oct 31 2021

web hong kong food 15 traditional dishes to eat home hong kong want to taste some hong kong food during your next trip the hong kong cuisine is mainly influenced by the cantonese cuisine which originates from the province of guangdong china however it s also influenced by the european korean south asian and japanese cuisine

diningcity hong kong s dining guide book eat and review - Dec 13 2022

web diningcity lets you book eat and review at the best hong kong restaurants book online and save on the best top restaurants in hong kong

hong kong food city by tony tan goodreads - Oct 23 2023

web nov 22 2017 tony tan explores this vibrant city through 80 exquisite dishes from the cutting edge contemporary to the traditional from both the high and low of hong kong cuisine with recipes from the city s iconic hotels its hawker stalls and even a legendary dumpling house on the outskirts of kowloon

discover the best food hong kong s kowloon city has to offer - Mar 04 2022

web other places worth checking out a bakery called hoover cake shop is where you can get leung s favourite egg tarts and cocktail buns even mochi 136 nga tsin wai road kowloon city tel 852

10 of the best places to get your singaporean food fix in hong kong - Mar 16 2023

web 2 f jen hong kong by shangri la 508 queen s road west shek tong tsui tel 2213 6613 championing fine cantonese cuisine

in singapore how this chef is doing it 7

must try street food in hong kong hong kong tourism board - May 18 2023

web must try street food in hong kong written by coconuts hong kong hong kong draws many visitors for its flavourful culinary scene some come for the refined dim sum experience others for the more local noodle shops however there is an often overlooked facet of hong kong s gourmet reputation its humble street food

food republic singapore - Feb 03 2022

web food republic unites people through good food we do this by offering singapore heritage dishes local and regional street food under one roof in a comfortable and thematic dining environment with 14 food atriums located island wide you can find us in close proximity wherever you are

kowloon city hidden food tour hong kong klook singapore - Apr 05 2022

web discover the colorful sides of hong kong s local food culture with this tour indulge in an authentic tea set of local milk tea and egg tart at a local restaurant in kowloon city score best deals on licorice fruits and exotic sauces at an

hong kong food guide 25 must eat dishes where you can - Jun 07 2022

web jan 7 2017 hong kong is famous for food and when you visit you better be ready to eat in this hong kong food guide you ll discover 25 dishes and snacks that you don t want to miss eating when you re in hong kong for each dish you ll also find restaurants in hong kong where you can try them

diningcity hong kong s dining guide book eat and review - Jun 26 2021

web 1 2 diningcity lets you book eat and review at the best hong kong restaurants book online and save on the best top restaurants in hong kong

hong kong food 20 famous dishes you should try china highlights - Aug 21 2023

web sweet and sour pork is probably the most famous hong kong food which has made its way into chinese take away menus around the world we have a page on how to cook sweet and sour pork and even a video so rather than describe the well known pork ribs or tenderloin in the delicious orange sauce click to see and read how its made in detail 2

seven restaurants named best in the world by la liste - Dec 01 2021

web nov 16 2023 here s a sampling of the restaurants that scored highest on the list in their countries argentina don julio australia tie oncore by clare smith and vue du monde belgium hof van cleve

where to eat the perfect bowl of noodles in hong kong harilela - Oct 11 2022

web 2 days ago in kowloon tong we order things like salted fish diced chicken fried rice and stir fried noodles from kam kee cafe shop 5 8 13 15 franki centre 320 junction road kowloon tong tel 2207 0488

kubota m8540 tractor workshop repair service manual - Dec 03 2022

web kubota m8540 tractor original service manual wiring diagrams and bulletins are the most accurate and complete available the kubota m8540 tractor service manual includes pictures and easy to follow directions on what tools are needed and how the repair is performed just imagine how much you can save by doing simple repairs yourself

user manual kubota m8540 english 37 pages - Jun 09 2023

web manual view the manual for the kubota m8540 here for free this manual comes under the category not categorized and has been rated by 3 people with an average of a 8.7 this manual is available in the following languages english do you have a question about the kubota m8540 or do you need help

kubota m8540 m9540 workshop manual tractor erepairinfo - Mar 06 2023

web kubota m8540 m9540 workshop manual tractor 19 95 factory workshop manual for kubota m8540 m9540 tractors illustrations instructions diagrams for step by step remove and install assembly and disassembly service inspection repair troubleshooting tune ups add to basket

kubota tractor m8540hd oem parts kubota tractor - Feb 22 2022

web m4011 and m4011v backhoe m7610 m7611 m8126a m9247 m9248 m9249 hay grapple bucket m9247 m9248 m9249 m9585 shop our large selection of kubota tractor m8540hd oem parts original equipment manufacturer parts and more online or call at 888 458 2682

kubota tractor m8540 fuse box diagram carknowledge info - May 28 2022

web jul 20 2019 kubota tractor m8540 fuse box diagram year of production fuse box number ampere rating a protected circuit 1 5 starter relay 2 15 auxiliary power air suspension seat if equipped 3 15 work light front side 4 10 air conditioner compressor 5 30 air conditioner fan motor 6 15 cigarette lighter 7 15 work light

kubota m8540 m9540 tractor service manual download - Jun 28 2022

web free download kubota m8540 m9540 tractor service manual has easy to read text sections with top quality diagrams and instructions they are specifically written for the do it yourselfer as well as the experienced mechanic with very easy to follow step by step instructions pictures on all areas of repair it makes repair job easy to do

manuals kubota australia - Jan 04 2023

web view and download kubota brochures and operating manuals for kubota tractors excavators utility vehicles m8540 standard tractor operator s manual m9540 rops cab cloud download m9540 rops cab brochure cloud download m9540 cab tractor operator s manual m96s cloud download m96s brochure mx5200

kubota m8540 workshop manual pdf download manualslib - Oct 13 2023

web handling precautions for electrical parts and wiring g 5 1 wiring page 20 tractor identification m8540 m9540 wsm 1 tractor identification 1 model name and serial numbers 1 tractor number when contacting your local kubota distributor

always specify engine serial number tractor serial number and
m8540 m9540 for eu e 9y111 01420 - May 08 2023

web m8540 m9540 wsm specifications specifications note 1 manufacture s estimate 2 at lower link end with links horizontal
the company reserves the right to change the specifications without notice w10281170 model m8540 m9540 4wd 4wd engine
model v3800di te3 type vertical water cooled 4 cycle direct injection diesel

kubota m9540 ac wiring diagram diagram board - Mar 26 2022

web jan 15 2022 31 paragraph 1 kubota m9540 ac wiring diagram is a comprehensive and detailed diagram that outlines
the connections for the entire electrical system on this tractor this diagram includes all the components necessary for
connecting the tractor to the power source including the starter and alternator as well as all of the wiring needed

[tractordata.com kubota m8540 tractor information](#) - Jul 30 2022

web sep 5 2023 kubota m8540 tractor overview tractors kubota m8540 tractors lawn tractors compare articles news tractor
shows contact kubota m8540 overview engine serial number decal on the left side of the m8540 tractor frame above the front
axle electrical ground negative charging amps 45 rops 60 cab battery

kubota m8540 tractor service repair workshop manual - Feb 05 2023

web you can find here step by step instruction diagrams illustration wiring schematic and specifications to repair and
troubleshoot your kubota m8540 tractor this kubota m8540 tractor workshop service manual has been prepared to provide
servicing personnel with information on the mechanism service and maintenance of kubota m8540 tractor

kubota wsm m8540 workshop manual pdf download manualslib - Sep 12 2023

web page 34 tightening torques g general m8540 m9540 wsm 5 tightening torques screws bolts and nuts whose tightening
torques are not specified in this workshop manual should be tightened according to the table below 1 general use screws
bolts and nuts indication on top of no grade or 4t bolt scr435

kubota m8540 specs features tractors facts - Apr 26 2022

web jul 26 2022 below you will find detailed technical specifications for kubota m8540 covering engine types horsepower
ratings weight height fuel type and tank volume oil capacity and type hydraulic system diagram wiring diagram battery specs
etc kubota m8540 production kubota m8540 power kubota m8540 engine kubota 3 8l 4 cyl

[kubota tractor m8540 fuse box diagram fuses guru](#) - Jul 10 2023

web may 6 2021 kubota tractor m8540 fuse box diagram jonathan yarden may 06 2021 5 min read in this article you will
find a description of fuses and relays kubota with photos of block diagrams and their locations highlighted the cigarette
lighter fuse as the most popular thing people look for get tips on blown fuses replacing a fuse and more

kubota m8540 operator s manual pdf download manualslib - Aug 11 2023

web view and download kubota m8540 operator s manual online m8540 tractor pdf manual download also for m9540

kubota m8540 tractor workshop service manual for repair - Nov 02 2022

web file type pdf 27 11 mb secure transaction preview m8540 m9540 workshop manual tractor kisc issued 03 2009 a to the reader this workshop manual has been prepared to provide servicing personnel with information on the mechanism service and maintenance of m8540 and m9540 it is divided into three parts general

kubota m8540 narrow operator s manual pdf download manualslib - Apr 07 2023

web do not inflate tires above the recommended pressure shown 6 servicing the tractor in the operator s manual before servicing the tractor park it on a firm flat and level surface set the parking brake lower all implements to the ground place the gear shift lever in neutral stop the engine and remove the key

kubota tractor m8540 fuse box diagram auto genius - Oct 01 2022

web jun 24 2018 kubota tractor m8540 fuse box diagram posted on 24 june 2018 20 july 2019 by admin kubota tractor m8540 fuse box diagram year of production fuse box kubota m8540 fuse box diagram number ampere rating a protected circuit 1 5 starter relay 2 15 auxiliary power air suspension seat if equipped 3 15

kubota m8540 m9540 wsm service manual download - Aug 31 2022

web this factory kubota m8540 m9540 tractor service manual download will give you complete step by step information on repair servicing and preventative maintenance for your kubota

der kristall science fiction thriller german edit pdf pdf - Mar 06 2022

web der kristall science fiction thriller german edit pdf introduction der kristall science fiction thriller german edit pdf pdf science fiction fantasy horror

bewertungen science fiction thriller der kristall - Mar 18 2023

web eine sammlung interessanter aussagen aus den bisherigen bewertungen findet ihr hier und eine große zahl weiterer bewertungen gibt es auf amazon

der kristall ein science fiction thriller von oliver juwig - Sep 24 2023

web die story zwei freunde entdecken in der großen pyramide von gizeh ein artefakt das gar nicht existieren dürfte doch das ist erst der anfang denn aus den tiefen des alls

der kristall science fiction thriller german edition ebook - Jun 21 2023

web der kristall science fiction thriller german edition ebook juwig oliver amazon in kindle store

veröffentlichung bei amazon science fiction thriller der kristall - May 20 2023

web mar 29 2018 ab morgen karfreitag den 30 märz ist die e book version von der kristall exklusiv bei amazon zum einführungspreis von 99 cent erhältlich ab mai beträgt der

[alle beiträge science fiction thriller der kristall](#) - Nov 14 2022

web Über diesen blog die story des science fiction thrillers der kristall basiert auf recherchierten wissenschaftlichen tatsachen und daraus abgeleiteten möglichkeiten in

leseratte89 germany s review of der kristall science fiction - Apr 19 2023

web eine tolle und spannende science fiction geschichte rund um die alten ägyptischen götter nur die protagonisten vermochten mich leider nicht ganz zu überzeugen da gibt

der kristall science fiction thriller german edit pdf - Jul 10 2022

web der kristall science fiction thriller german edit konzert der mörder 11 strand krimis der beginn einer kosmischen saga chronik der sternenkrieger der einstiigsband

[der kristall science fiction thriller reviewmeta com](#) - Aug 11 2022

web see our 2023 adjusted rating after removing 63 of the 263 amazon reviews deemed unnatural for der kristall science fiction thriller

der kristall science fiction thriller german edit pdf uniport edu - Oct 13 2022

web apr 19 2023 der kristall science fiction thriller german edit 2 7 downloaded from uniport edu ng on april 19 2023 by guest disappeared while engaged in secret work for

der kristall science fiction thriller kindle edition amazon de - Feb 17 2023

web der kristall science fiction thriller ebook juwig oliver amazon de kindle store

der kristall science fiction thriller german edition kindle edition - Jul 22 2023

web der kristall science fiction thriller german edition ebook juwig oliver amazon co uk kindle store

[der kristall science fiction thriller german edit pdf](#) - Jan 04 2022

web getting the books der kristall science fiction thriller german edit pdf now is not type of challenging means you could not deserted going taking into account books collection or

der kristall science fiction thriller german edit pdf marturaeco - Dec 03 2021

web you could quickly download this der kristall science fiction thriller german edit pdf after getting deal so subsequently you require the ebook swiftly you can straight

the dark crystal 1982 filmi sinemalar com - Nov 02 2021

web the dark crystal film konusu jen ve kira kendi ırklarının son temsilcisi iki gelfling dir bin yıl önce parçalanan ve düzeni sağlayan kutsal kristali sadece bir gelfling in tekrar

der kristall science fiction thriller german edition kindle edition - Aug 23 2023

web mar 30 2018 buy der kristall science fiction thriller german edition read kindle store reviews amazon com

der kristall science fiction thriller german edit pdf orson scott - Sep 12 2022

web jun 19 2023 info get the der kristall science fiction thriller german edit pdf join that we pay for here and check out the link you could buy lead der kristall science fiction

amazon co uk customer reviews der kristall science fiction - Jan 16 2023

web find helpful customer reviews and review ratings for der kristall science fiction thriller german edition at amazon com read honest and unbiased product reviews from our

der kristall science fiction thriller german edition ebook - Dec 15 2022

web der kristall science fiction thriller german edition ebook juwig oliver amazon in kindle ☐ ☐ ☐

der kristall science fiction thriller german edit pdf - Jun 09 2022

web may 31 2023 of this der kristall science fiction thriller german edit pdf by online you might not require more period to spend to go to the ebook foundation as

thriller archive science fiction thriller der kristall - Apr 07 2022

web ab und an veröffentliche ich einen artikel nur für die leser meines romans der kristall sozusagen als begleitung der ereignisse zuletzt ging es neues e book cover 3

der kristall science fiction thriller german edit pdf uniport edu - May 08 2022

web may 28 2023 edit getting the books der kristall science fiction thriller german edit now is not type of challenging means you could not deserted going as soon as books

downloadable free pdfs der kristall science fiction thriller - Feb 05 2022

web der kristall science fiction thriller german edit ambassador 9 red crystal desert mar 23 2021 the conflict has brewed for generations until it has become too big to