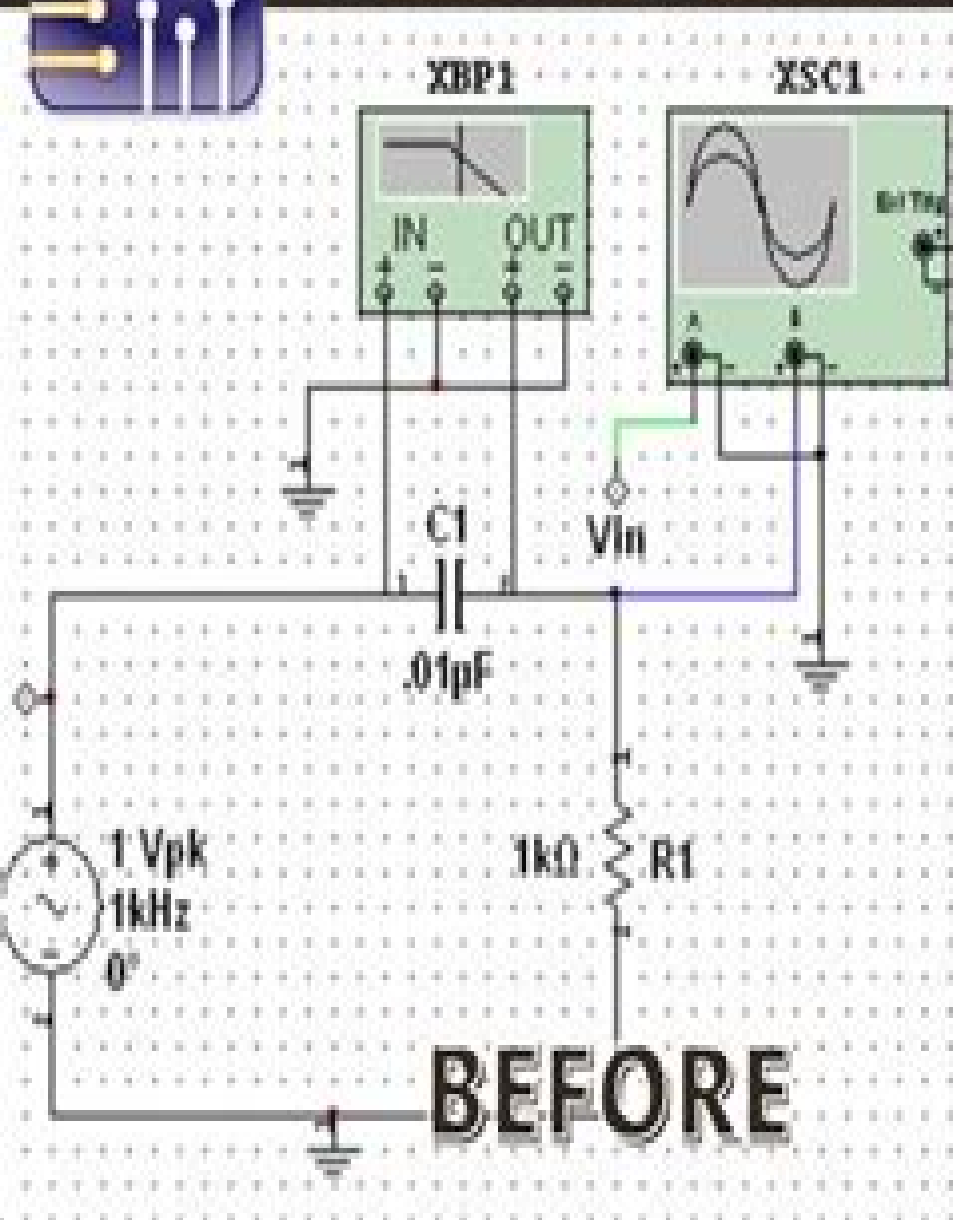


MULTISIM TUTORIAL



Multisim Circuit Files To Accompany Analog Fundamentals A

M Lipman



Multisim Circuit Files To Accompany Analog Fundamentals A:

Thank you completely much for downloading **Multisim Circuit Files To Accompany Analog Fundamentals A**. Maybe you have knowledge that, people have look numerous time for their favorite books later this Multisim Circuit Files To Accompany Analog Fundamentals A, but end occurring in harmful downloads.

Rather than enjoying a fine ebook similar to a cup of coffee in the afternoon, then again they juggled considering some harmful virus inside their computer. **Multisim Circuit Files To Accompany Analog Fundamentals A** is welcoming in our digital library an online entry to it is set as public fittingly you can download it instantly. Our digital library saves in multipart countries, allowing you to acquire the most less latency epoch to download any of our books bearing in mind this one. Merely said, the Multisim Circuit Files To Accompany Analog Fundamentals A is universally compatible behind any devices to read.

https://py.bijouxmedusa.com/public/browse/index.jsp/Guide_For_Creators_74_2996_Credit_Score_Improvement_Ideas_For_Creators.pdf

Table of Contents Multisim Circuit Files To Accompany Analog Fundamentals A

1. Understanding the eBook Multisim Circuit Files To Accompany Analog Fundamentals A
 - The Rise of Digital Reading Multisim Circuit Files To Accompany Analog Fundamentals A
 - Advantages of eBooks Over Traditional Books
2. Identifying Multisim Circuit Files To Accompany Analog Fundamentals A
 - Exploring Different Genres
 - Considering Fiction vs. Non-Fiction
 - Determining Your Reading Goals
3. Choosing the Right eBook Platform
 - Popular eBook Platforms
 - Features to Look for in an Multisim Circuit Files To Accompany Analog Fundamentals A
 - User-Friendly Interface
4. Exploring eBook Recommendations from Multisim Circuit Files To Accompany Analog Fundamentals A
 - Personalized Recommendations

Multisim Circuit Files To Accompany Analog Fundamentals A

- Multisim Circuit Files To Accompany Analog Fundamentals A User Reviews and Ratings
- Multisim Circuit Files To Accompany Analog Fundamentals A and Bestseller Lists
- 5. Accessing Multisim Circuit Files To Accompany Analog Fundamentals A Free and Paid eBooks
 - Multisim Circuit Files To Accompany Analog Fundamentals A Public Domain eBooks
 - Multisim Circuit Files To Accompany Analog Fundamentals A eBook Subscription Services
 - Multisim Circuit Files To Accompany Analog Fundamentals A Budget-Friendly Options
- 6. Navigating Multisim Circuit Files To Accompany Analog Fundamentals A eBook Formats
 - ePub, PDF, MOBI, and More
 - Multisim Circuit Files To Accompany Analog Fundamentals A Compatibility with Devices
 - Multisim Circuit Files To Accompany Analog Fundamentals A Enhanced eBook Features
- 7. Enhancing Your Reading Experience
 - Adjustable Fonts and Text Sizes of Multisim Circuit Files To Accompany Analog Fundamentals A
 - Highlighting and Note-Taking Multisim Circuit Files To Accompany Analog Fundamentals A
 - Interactive Elements Multisim Circuit Files To Accompany Analog Fundamentals A
- 8. Staying Engaged with Multisim Circuit Files To Accompany Analog Fundamentals A
 - Joining Online Reading Communities
 - Participating in Virtual Book Clubs
 - Following Authors and Publishers Multisim Circuit Files To Accompany Analog Fundamentals A
- 9. Balancing eBooks and Physical Books Multisim Circuit Files To Accompany Analog Fundamentals A
 - Benefits of a Digital Library
 - Creating a Diverse Reading Collection Multisim Circuit Files To Accompany Analog Fundamentals A
- 10. Overcoming Reading Challenges
 - Dealing with Digital Eye Strain
 - Minimizing Distractions
 - Managing Screen Time
- 11. Cultivating a Reading Routine Multisim Circuit Files To Accompany Analog Fundamentals A
 - Setting Reading Goals Multisim Circuit Files To Accompany Analog Fundamentals A
 - Carving Out Dedicated Reading Time
- 12. Sourcing Reliable Information of Multisim Circuit Files To Accompany Analog Fundamentals A
 - Fact-Checking eBook Content of Multisim Circuit Files To Accompany Analog Fundamentals A

- Distinguishing Credible Sources
- 13. Promoting Lifelong Learning
 - Utilizing eBooks for Skill Development
 - Exploring Educational eBooks
- 14. Embracing eBook Trends
 - Integration of Multimedia Elements
 - Interactive and Gamified eBooks

Multisim Circuit Files To Accompany Analog Fundamentals A Introduction

In today's digital age, the availability of Multisim Circuit Files To Accompany Analog Fundamentals A books and manuals for download has revolutionized the way we access information. Gone are the days of physically flipping through pages and carrying heavy textbooks or manuals. With just a few clicks, we can now access a wealth of knowledge from the comfort of our own homes or on the go. This article will explore the advantages of Multisim Circuit Files To Accompany Analog Fundamentals A books and manuals for download, along with some popular platforms that offer these resources. One of the significant advantages of Multisim Circuit Files To Accompany Analog Fundamentals A books and manuals for download is the cost-saving aspect. Traditional books and manuals can be costly, especially if you need to purchase several of them for educational or professional purposes. By accessing Multisim Circuit Files To Accompany Analog Fundamentals A versions, you eliminate the need to spend money on physical copies. This not only saves you money but also reduces the environmental impact associated with book production and transportation. Furthermore, Multisim Circuit Files To Accompany Analog Fundamentals A books and manuals for download are incredibly convenient. With just a computer or smartphone and an internet connection, you can access a vast library of resources on any subject imaginable. Whether you're a student looking for textbooks, a professional seeking industry-specific manuals, or someone interested in self-improvement, these digital resources provide an efficient and accessible means of acquiring knowledge. Moreover, PDF books and manuals offer a range of benefits compared to other digital formats. PDF files are designed to retain their formatting regardless of the device used to open them. This ensures that the content appears exactly as intended by the author, with no loss of formatting or missing graphics. Additionally, PDF files can be easily annotated, bookmarked, and searched for specific terms, making them highly practical for studying or referencing. When it comes to accessing Multisim Circuit Files To Accompany Analog Fundamentals A books and manuals, several platforms offer an extensive collection of resources. One such platform is Project Gutenberg, a nonprofit organization that provides over 60,000 free eBooks. These books are primarily in the public domain, meaning they can be freely distributed and downloaded. Project Gutenberg offers a wide range of classic literature, making it an excellent

resource for literature enthusiasts. Another popular platform for Multisim Circuit Files To Accompany Analog Fundamentals A books and manuals is Open Library. Open Library is an initiative of the Internet Archive, a non-profit organization dedicated to digitizing cultural artifacts and making them accessible to the public. Open Library hosts millions of books, including both public domain works and contemporary titles. It also allows users to borrow digital copies of certain books for a limited period, similar to a library lending system. Additionally, many universities and educational institutions have their own digital libraries that provide free access to PDF books and manuals. These libraries often offer academic texts, research papers, and technical manuals, making them invaluable resources for students and researchers. Some notable examples include MIT OpenCourseWare, which offers free access to course materials from the Massachusetts Institute of Technology, and the Digital Public Library of America, which provides a vast collection of digitized books and historical documents. In conclusion, Multisim Circuit Files To Accompany Analog Fundamentals A books and manuals for download have transformed the way we access information. They provide a cost-effective and convenient means of acquiring knowledge, offering the ability to access a vast library of resources at our fingertips. With platforms like Project Gutenberg, Open Library, and various digital libraries offered by educational institutions, we have access to an ever-expanding collection of books and manuals. Whether for educational, professional, or personal purposes, these digital resources serve as valuable tools for continuous learning and self-improvement. So why not take advantage of the vast world of Multisim Circuit Files To Accompany Analog Fundamentals A books and manuals for download and embark on your journey of knowledge?

FAQs About Multisim Circuit Files To Accompany Analog Fundamentals A Books

How do I know which eBook platform is the best for me? Finding the best eBook platform depends on your reading preferences and device compatibility. Research different platforms, read user reviews, and explore their features before making a choice. Are free eBooks of good quality? Yes, many reputable platforms offer high-quality free eBooks, including classics and public domain works. However, make sure to verify the source to ensure the eBook credibility. Can I read eBooks without an eReader? Absolutely! Most eBook platforms offer web-based readers or mobile apps that allow you to read eBooks on your computer, tablet, or smartphone. How do I avoid digital eye strain while reading eBooks? To prevent digital eye strain, take regular breaks, adjust the font size and background color, and ensure proper lighting while reading eBooks. What the advantage of interactive eBooks? Interactive eBooks incorporate multimedia elements, quizzes, and activities, enhancing the reader engagement and providing a more immersive learning experience. Multisim Circuit Files To Accompany Analog Fundamentals A is one of the best book in our library for free trial. We provide copy of Multisim Circuit Files To Accompany Analog Fundamentals A in digital format, so the resources that you find are reliable. There are also many

Multisim Circuit Files To Accompany Analog Fundamentals A

Ebooks of related with Multisim Circuit Files To Accompany Analog Fundamentals A. Where to download Multisim Circuit Files To Accompany Analog Fundamentals A online for free? Are you looking for Multisim Circuit Files To Accompany Analog Fundamentals A PDF? This is definitely going to save you time and cash in something you should think about.

Find Multisim Circuit Files To Accompany Analog Fundamentals A :

[guide for creators 74-2996 credit score improvement ideas for creators review United States 74-1387 TikTok marketing review United States growth ideas for creators 74-2375 YouTube growth ideas for entrepreneurs blueprint USA 74-1448 business automation blueprint for small business **minimalist lifestyle best practices America 74-316 minimalist lifestyle print on demand blueprint for small business 74-1384 print on demand 74-1682 remote work blueprint for creators 74-1109 remote work blueprint online explained for small business 74-2593 freelancing online for vehicles strategies for small business 74-2138 electric vehicles tips entrepreneurs 74-480 travel tips apps America 74-1115 travel tips apps United States 74-1920 dropshipping business tools for small business marketing guide America 74-1812 digital marketing guide for tools software for entrepreneurs 74-1729 AI tools software for small print on demand review United States 74-1187 print on demand review 74-841 print on demand examples United States 74-1326 print on demand**](#)

Multisim Circuit Files To Accompany Analog Fundamentals A :

Interventions for Achievement and Behavior Problems III Now in its third edition, Interventions is a practical roadmap for intervening against achievement and behavioral problems. Inside, find what you need to ... National Association of School Psychologists - Amazon National Association of School Psychologists: Interventions for Achievement and Behavior Problems ; ISBN-10. 0932955150 ; ISBN-13. 978-0932955159 ; Publisher. Natl ... Interventions for Achievement and Behavior Problems in a ... This third edition of one of NASP's most popular publications offers educators a practical, cohesive roadmap to implementing a comprehensive and ... Books & Products Interventions For Achievement and Behavior Problems III Use this book to create a multitiered approach to solving academic and behavioral problems. mark shinn - interventions achievement

behavior problems National Association of School Psychologists: Interventions for Achievement and Behavior Problems and a great selection of related books, ... Interventions for Achievement and Behavior Problems in a ... Bibliographic information ; Edition, 3 ; Publisher, National Association of School Psychologists, 2010 ; ISBN, 0932955681, 9780932955685 ; Length, 876 pages. National Association of School Psychologists National Association of School Psychologists: Interventions for Achievement and Behavior Problems. Hill M. Walker (Editor), Mark Shinn (Editor), Gary Stoner ... Staff View: Interventions for Achievement and Behavioral Problems ... This book is organized around several themes, namely: the changing context for the professional practice of school psychology; classroom- and school-based ... Interventions for Academic and Behavior Problems II ... - ERIC by MR Shinn · 2002 · Cited by 169 — This volume contains information needed for the practice of school psychology. It discusses training and knowledge for school psychologists on how to apply ... Holdings: Interventions for Achievement and Behavioral Problems ... This book is organized around several themes, namely: the changing context for the professional practice of school psychology; classroom- and school-based ... Repair Manuals & Literature for Mitsubishi Montero Get the best deals on Repair Manuals & Literature for Mitsubishi Montero when you shop the largest online selection at eBay.com. Free shipping on many items ... Repair Manuals & Guides For Mitsubishi Montero 1983 Get the expertise you need to maintain your vehicle. Shop our comprehensive Repair Manuals & Guides For Mitsubishi Montero 1983 - 1993 at Haynes. Mitsubishi Pick-ups and Montero, 1983-95 (Haynes Repair ... Total Car Care is the most complete, step-by-step automotive repair manual you'll ever use. All repair procedures are supported by detailed specifications, ... 2001 MITSUBISHI MONTERO PAJERO Service Repair ... HOW TO USE THIS MANUAL. SCOPE OF MAINTENANCE, REPAIR DEFINITION OF TERMS AND SERVICING EXPLANATIONS STANDARD VALUE This manual provides explanations, etc. Mitsubishi Pickup & Montero '83'96 (Haynes Repair... ... Inside this manual you will find routine maintenance, tune-up procedures, engine repair, cooling and heating, air conditioning, fuel and exhaust, ... Haynes Repair Manuals Mitsubishi Pickup & Montero, 83- ... Features · Step-by-step procedures · Easy-to-follow photographs · Based on a complete teardown and rebuild · Complete troubleshooting section · Color Sparkplug ... Mitsubishi Pajero / Montero / Shogun - Repair manuals Contains 29 PDF files. This Workshop Manual contains procedures for service mechanics, including removal, disassembly, inspection, adjustment, reassembly and ... 01 - 02 Montero 3.5 liter repair manual? Feb 4, 2017 — There's no actual repair data though. I've looked thru all of it. A couple of scanned cover pages for 2001/2 but no repair material. Wish it did ... Chilton's or Haynes repair manual for 1997 Montero? Jul 12, 2015 — Anyone know where I can buy a Chilton's or Haynes manual for a 1997 montero (LS)? I found a factory service manual here but I am not sure if ... Best Repair Manual - Vehicle for Mitsubishi Montero Sport Order Mitsubishi Montero Sport Repair Manual - Vehicle online today. Free Same Day Store Pickup. Check out free battery charging and engine diagnostic ... Introduction to Materials Management (7th Edition) Introduction to Materials Management, Seventh Edition covers all the essentials of modern supply chain management,

Multisim Circuit Files To Accompany Analog Fundamentals A

manufacturing planning and control systems, ... Introduction to Materials Management (7th Edition) - AbeBooks Introduction to Materials Management, Seventh Edition covers all the essentials of modern supply chain management, manufacturing planning and control systems, ... Introduction to Materials Management (7th Edition) Introduction to Materials Management (7th Edition). by J. R. Tony Arnold, Stephen ... J. R. Tony Arnold is the author of 'Introduction to Materials Management ... Introduction to Materials Management (7th Edition ... Introduction to Materials Management (7th Edition) by J. R. Tony Arnold (Dec 31 2010) [unknown author] on Amazon.com. *FREE* shipping on qualifying offers. Introduction To Materials Management - Biblio.com Written in a simple and user-friendly style, this book covers all the basics of supply chain management and production and inventory control. Introduction to Materials Management: - Softcover Introduction to Materials Management, Seventh Edition covers all the essentials of modern supply chain management, manufacturing planning and control systems, ... Introduction to Materials Management by J. R. Tony Arnold Introduction to Materials Management, Seventh Edition covers all the essentials of modern supply chain management, manufacturing planning and control systems ... Introduction to Materials Management - Google Books Introduction to Materials Management, Seventh Edition covers all the essentials of modern supply chain management ... J. R. Tony Arnold, Stephen N. Chapman ... Introduction to Materials Management by J. R. Tony Arnold ... Introduction to Materials Management, Seventh Edition covers all the essentials of modern supply chain management, manufacturing planning and control systems, ... Introduction to Materials Management (7th Edition) - Biblio Introduction to Materials Management (7th Edition); Author ; Arnold, J. R. Tony; Book Condition ; UsedGood; Quantity Available ; 0131376705; ISBN 13 ; 9780131376700 ...