

Activity - Practice with Complex Circuits

$$V = IR$$

Part I

In the circuits below, the voltage of the battery is 12 V and each resistor is 2Ω . For each circuit:

- Describe the circuit and any assumptions you make. Which resistors are in series? Which are in parallel?
- Calculate the current through each resistor and the voltage across each resistor.

Total: $8 + 2 = 10$

$$A = \frac{2 \Omega}{4.67} (12)$$

5.13

$$2 + 2 = 4 \Omega \text{ (series)} \quad \frac{1}{2} + \frac{1}{2} + \frac{1}{2} = \frac{3}{2} = \frac{2}{3} \text{ (parallel)}$$

$$4 + \frac{2}{3} = 4.67 \Omega = \text{total}$$

Series: $2 + 2 + 2 + 2 = 8 \Omega$
 Parallel: $\frac{1}{2} = 2 \Omega$
 $V = IR \rightarrow I = \frac{V}{R} = \frac{12}{10} = 1.2 \text{ A}$

$$V = IR$$

$$I = \frac{V}{R} = \frac{12}{4.67}$$

$$I = 2.57$$

$$\frac{2.57 \text{ A}}{3} = 0.86 \text{ A}$$

$$V = IR$$

$$V = (0.86) \left(\frac{2}{3}\right)$$

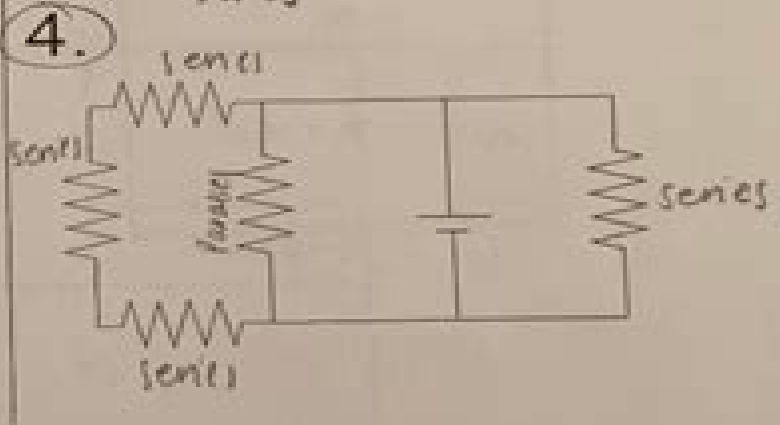
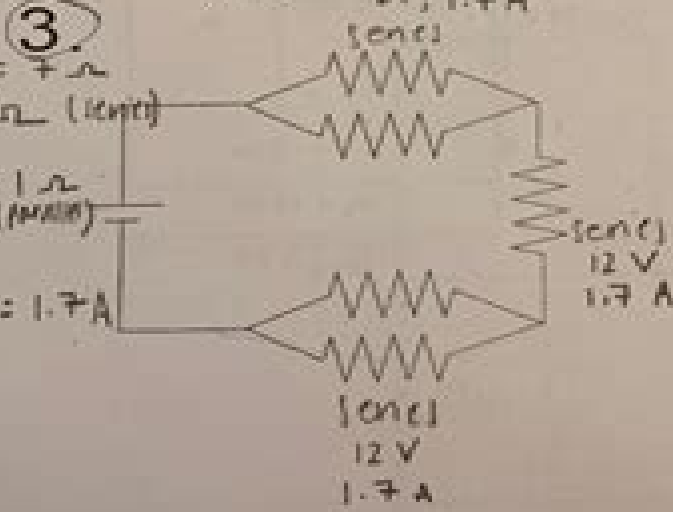
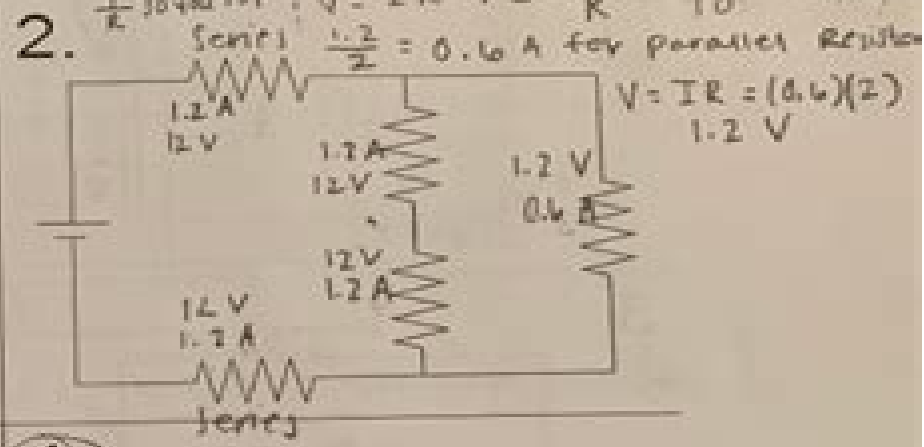
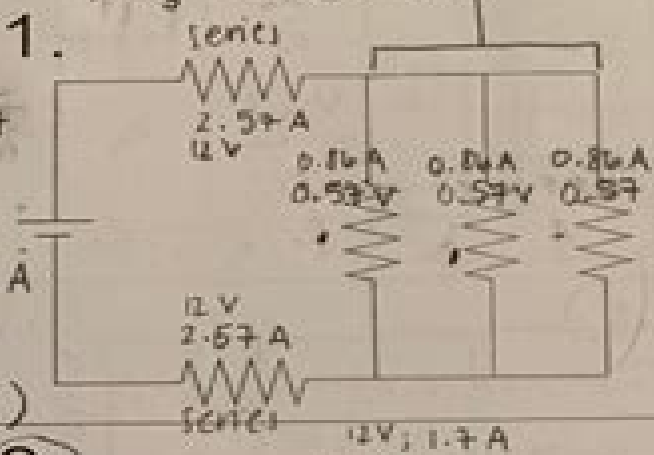
$$V = 0.57 \text{ V}$$

3
 Total R = 6 + 1 = 7 Ω
 $2 + 2 + 2 = 6 \Omega$ (series)

$$\frac{1}{2} + \frac{1}{2} = \frac{2}{2} = 1 \Omega \text{ (parallel)}$$

$$V = IR$$

$$I = \frac{V}{R} = \frac{12}{7} = 1.7 \text{ A}$$



Pre Ap Circuits 4 Answers

BM King



Pre Ap Circuits 4 Answers:

Unveiling the Magic of Words: A Overview of "**Pre Ap Circuits 4 Answers**"

In some sort of defined by information and interconnectivity, the enchanting power of words has acquired unparalleled significance. Their capability to kindle emotions, provoke contemplation, and ignite transformative change is truly awe-inspiring. Enter the realm of "**Pre Ap Circuits 4 Answers**," a mesmerizing literary masterpiece penned by way of a distinguished author, guiding readers on a profound journey to unravel the secrets and potential hidden within every word. In this critique, we shall delve into the book is central themes, examine its distinctive writing style, and assess its profound effect on the souls of its readers.

https://py.bijouxmedusa.com/data/Resources/fetch.php/Cbse_Class_11_English_Hornbill_Solutions_Pdf.pdf

Table of Contents Pre Ap Circuits 4 Answers

1. Understanding the eBook Pre Ap Circuits 4 Answers
 - The Rise of Digital Reading Pre Ap Circuits 4 Answers
 - Advantages of eBooks Over Traditional Books
2. Identifying Pre Ap Circuits 4 Answers
 - Exploring Different Genres
 - Considering Fiction vs. Non-Fiction
 - Determining Your Reading Goals
3. Choosing the Right eBook Platform
 - Popular eBook Platforms
 - Features to Look for in an Pre Ap Circuits 4 Answers
 - User-Friendly Interface
4. Exploring eBook Recommendations from Pre Ap Circuits 4 Answers
 - Personalized Recommendations
 - Pre Ap Circuits 4 Answers User Reviews and Ratings
 - Pre Ap Circuits 4 Answers and Bestseller Lists

5. Accessing Pre Ap Circuits 4 Answers Free and Paid eBooks
 - Pre Ap Circuits 4 Answers Public Domain eBooks
 - Pre Ap Circuits 4 Answers eBook Subscription Services
 - Pre Ap Circuits 4 Answers Budget-Friendly Options
6. Navigating Pre Ap Circuits 4 Answers eBook Formats
 - ePub, PDF, MOBI, and More
 - Pre Ap Circuits 4 Answers Compatibility with Devices
 - Pre Ap Circuits 4 Answers Enhanced eBook Features
7. Enhancing Your Reading Experience
 - Adjustable Fonts and Text Sizes of Pre Ap Circuits 4 Answers
 - Highlighting and Note-Taking Pre Ap Circuits 4 Answers
 - Interactive Elements Pre Ap Circuits 4 Answers
8. Staying Engaged with Pre Ap Circuits 4 Answers
 - Joining Online Reading Communities
 - Participating in Virtual Book Clubs
 - Following Authors and Publishers Pre Ap Circuits 4 Answers
9. Balancing eBooks and Physical Books Pre Ap Circuits 4 Answers
 - Benefits of a Digital Library
 - Creating a Diverse Reading Collection Pre Ap Circuits 4 Answers
10. Overcoming Reading Challenges
 - Dealing with Digital Eye Strain
 - Minimizing Distractions
 - Managing Screen Time
11. Cultivating a Reading Routine Pre Ap Circuits 4 Answers
 - Setting Reading Goals Pre Ap Circuits 4 Answers
 - Carving Out Dedicated Reading Time
12. Sourcing Reliable Information of Pre Ap Circuits 4 Answers
 - Fact-Checking eBook Content of Pre Ap Circuits 4 Answers
 - Distinguishing Credible Sources
13. Promoting Lifelong Learning

- Utilizing eBooks for Skill Development
 - Exploring Educational eBooks
14. Embracing eBook Trends
- Integration of Multimedia Elements
 - Interactive and Gamified eBooks

Pre Ap Circuits 4 Answers Introduction

In the digital age, access to information has become easier than ever before. The ability to download Pre Ap Circuits 4 Answers has revolutionized the way we consume written content. Whether you are a student looking for course material, an avid reader searching for your next favorite book, or a professional seeking research papers, the option to download Pre Ap Circuits 4 Answers has opened up a world of possibilities. Downloading Pre Ap Circuits 4 Answers provides numerous advantages over physical copies of books and documents. Firstly, it is incredibly convenient. Gone are the days of carrying around heavy textbooks or bulky folders filled with papers. With the click of a button, you can gain immediate access to valuable resources on any device. This convenience allows for efficient studying, researching, and reading on the go. Moreover, the cost-effective nature of downloading Pre Ap Circuits 4 Answers has democratized knowledge. Traditional books and academic journals can be expensive, making it difficult for individuals with limited financial resources to access information. By offering free PDF downloads, publishers and authors are enabling a wider audience to benefit from their work. This inclusivity promotes equal opportunities for learning and personal growth. There are numerous websites and platforms where individuals can download Pre Ap Circuits 4 Answers. These websites range from academic databases offering research papers and journals to online libraries with an expansive collection of books from various genres. Many authors and publishers also upload their work to specific websites, granting readers access to their content without any charge. These platforms not only provide access to existing literature but also serve as an excellent platform for undiscovered authors to share their work with the world. However, it is essential to be cautious while downloading Pre Ap Circuits 4 Answers. Some websites may offer pirated or illegally obtained copies of copyrighted material. Engaging in such activities not only violates copyright laws but also undermines the efforts of authors, publishers, and researchers. To ensure ethical downloading, it is advisable to utilize reputable websites that prioritize the legal distribution of content. When downloading Pre Ap Circuits 4 Answers, users should also consider the potential security risks associated with online platforms. Malicious actors may exploit vulnerabilities in unprotected websites to distribute malware or steal personal information. To protect themselves, individuals should ensure their devices have reliable antivirus software installed and validate the legitimacy of the websites they are downloading from. In conclusion, the ability to download Pre Ap Circuits 4

Answers has transformed the way we access information. With the convenience, cost-effectiveness, and accessibility it offers, free PDF downloads have become a popular choice for students, researchers, and book lovers worldwide. However, it is crucial to engage in ethical downloading practices and prioritize personal security when utilizing online platforms. By doing so, individuals can make the most of the vast array of free PDF resources available and embark on a journey of continuous learning and intellectual growth.

FAQs About Pre Ap Circuits 4 Answers Books

How do I know which eBook platform is the best for me? Finding the best eBook platform depends on your reading preferences and device compatibility. Research different platforms, read user reviews, and explore their features before making a choice. Are free eBooks of good quality? Yes, many reputable platforms offer high-quality free eBooks, including classics and public domain works. However, make sure to verify the source to ensure the eBook credibility. Can I read eBooks without an eReader? Absolutely! Most eBook platforms offer web-based readers or mobile apps that allow you to read eBooks on your computer, tablet, or smartphone. How do I avoid digital eye strain while reading eBooks? To prevent digital eye strain, take regular breaks, adjust the font size and background color, and ensure proper lighting while reading eBooks. What the advantage of interactive eBooks? Interactive eBooks incorporate multimedia elements, quizzes, and activities, enhancing the reader engagement and providing a more immersive learning experience. Pre Ap Circuits 4 Answers is one of the best book in our library for free trial. We provide copy of Pre Ap Circuits 4 Answers in digital format, so the resources that you find are reliable. There are also many Ebooks of related with Pre Ap Circuits 4 Answers. Where to download Pre Ap Circuits 4 Answers online for free? Are you looking for Pre Ap Circuits 4 Answers PDF? This is definitely going to save you time and cash in something you should think about.

Find Pre Ap Circuits 4 Answers :

cbse class 11 english hornbill solutions pdf

carti romantice libertatea pentru femei blogul

cfa level 1 quantitative methods notes

chapter 19 acids bases study guide answers

centhini kekasih yang tersembunyi elizabeth d inandiak

cemap exam questions 2018 tests questions com

[chalmers alan what is this thing called science 3 ed](#)
[ccw test answers](#)

[cellulose chitosan and keratin composite materials](#)
[chapter 12 dna and rna section review 1 answer key](#)
[chaparro matlab solutions](#)

cersil pendekar pedang matahari

[ceramic processing and sintering rahaman solutions](#)

chapter 16 review reaction energy section 1 short answer

[catalysis concepts and green applications](#)

Pre Ap Circuits 4 Answers :

atec mitutoyo sj 201p manual page 6 manualsdir com - Jun 07 2022

web user s manual for sj 201p 99mbb081a one sheet manual 526688 ac adapter optional accessories 178 391 detector for soft materials stylus tip radius 10 μ m 178 392 small hole detector \varnothing 4 5mm 178 393 small hole detector \varnothing 2 8mm 178 394 deep groove detector 178 395 detector for low pressure type stylus tip radius 2 μ m

portable surface roughness tester surfstest sj 210 series mitutoyo - Jun 19 2023

web the surfstest sj 210 is a user friendly surface roughness measurement instrument designed as a handheld tool that can be carried with you and used on site easy rz rz to use rz 2 4 inch color graphic lcd with backlight the color lcd provides excellent readability and an intuitive display that s easy to navigate

mitutoyo sj 201p manual pdf pdf surface roughness scribd - Feb 15 2023

web mitutoyo sj 201p manual pdf pdf surface roughness electrical engineering mitutoyo sj 201p manual pdf free ebook download as pdf file pdf text file txt or read book online for free scribd is the world s largest social reading and publishing site

surfstest sj 210 sj 310 - Dec 13 2022

web features the 2 4 inch color graphic lcd provides excellent readability and an intuitive display that is easy to use the lcd also includes a backlight for improved visibility in dark environments the surfstest sj 210 can be easily operated using the buttons on the front of the unit and under the sliding cover

[brütsch rüegger mitutoyo surfstest sj 201p manual - Apr 17 2023](#)

web view and download Brütsch Rüegger Mitutoyo SurfStest SJ 201P Manual Online Surface Roughness Tester Mitutoyo SurfStest SJ 201P Test Equipment PDF Manual Download also for 148 460

mitutoyo surface roughness tester sj 201 manual - Feb 03 2022

web mitutoyo surface roughness tester sj 201 manual large characters are displayed on the large easy to watch lcd portable for easy installation needed everywhere the trasher drive unit can be detached from the display unit for effortless metling of uncomfortably oriented workpieces wide 350µm 200µm to 150µm using range

surface measurement surfstest sj 201 sj 301 - Mar 16 2023

web surfstest sj 201 sj 301 pre 1211 3 portable surface testers the smart solution for the workshop the sj 201 complies with gps standardisation for surface quality easy to read large character display portable for easy use wherever you need to measure drive unit can be detached from the display unit for easy measurement

no 99mbb079a5 series no 178 sj 201 cole parmer - Aug 21 2023

web to obtain the highest performance from this instrument and to use it safely read this user s manual prior to use this user s manual is intended for users of surface roughness testers sj 201p and sj 201r sj 201p is used in almost all descriptions of this user s manual if using model sj 201r

mitutoyo sj 201 user manual pdf book keg - Jan 02 2022

web mar 30 2022 our updated version of mitutoyo sj 201 user manual has all the information that you need and you will be satisfied reading all about mitutoyo sj 201 user manual mitutoyo sj 201 user manual pdf download we are pleased to offer you this book about mitutoyo sj 201 user manual this book is here to help you if you want to learn more

brütsch rüegger mitutoyo surfstest sj 201p manuals - Sep 10 2022

web manuals and user guides for Brütsch Rüegger mitutoyo surfstest sj 201p we have 1 Brütsch Rüegger mitutoyo surfstest sj 201p manual available for free pdf download manual

surfstest sj 210 series mitutoyo - May 18 2023

web download the surfstest sj 210 series is a portable user friendly surface roughness measurement instrument designed as a handheld tool for taking accurate on site measurements

mitutoyo sj 201 surface finish equipment - Jul 08 2022

web sj 201 series large characters are displayed on the large easy to view lcd portable for easy measurement anywhere necessary the detector drive unit can be detached from the display unit for effortless measurement of awkwardly oriented workpieces wide 350µm 200µm to 150µm measurement range

portable surface roughness tester surfstest sj 210 310 series mitutoyo - Nov 12 2022

web surfstest sj 210 also complies with ansi and vda standards battery the battery charges in one quarter of the time of previous mitutoyo products the drive unit can be separated from the display unit by using a cable allowing more flexible measurement the driver can be separated and reattached in one simple step

form measurement surfstest sj 400 mitutoyo - Mar 04 2022

web surfstest sj 400 portable surface roughness tester bulletin no 2013 2 3 requirement1 requirement2 requirement3 for free from the mitutoyo website user s manual one sheet manual tools inch metric 10 11 standard stylus for small hole

mitutoyo sj 301 user manual pdf download manualslib - May 06 2022

web to obtain the highest performance from this instrument and to use it safely read this user s manual prior to use this user s manual is intended for users of surface roughness testers sj 301 and sj 301r sj 301 is used in almost all descriptions of this user s manual

test equipment rentals sales calibration atec - Jan 14 2023

web the surfstest sj 201p is a portable surface roughness tester that can measure various parameters and display them on a large lcd screen this manual provides detailed instructions on how to operate maintain and calibrate the device as well as troubleshooting tips and specifications

mitutoyo user manuals download manualslib - Apr 05 2022

web view download of more than 543 mitutoyo pdf user manuals service manuals operating guides measuring instruments scales user manuals operating guides specifications

sj 201 pdf surface roughness calibration scribd - Aug 09 2022

web the smart solution for the workshop the sj 201 transverse tracing s drive unit for sj 201 301

atec mitutoyo sj 201p manual page 2 manualsdir com - Oct 11 2022

web sj 201p portable surface roughness tester a dedicated carrying case is included for safe transport a precision roughness specimen is supplied a hard copy of the measurement data is available with the optional printer 64aaa779 surfstest sj 201p

portable surface roughness tester surfstest sj 201p - Jul 20 2023

web the sj 201p is provided with functions to output spc data and communicate with external devices via the rs 232c

interface a dedicated carrying case is included for safe transport a precision roughness specimen is supplied a hard copy of the measurement data is available with the optional printer 64aaa779

naf aptitude test question 2012 - Mar 10 2023

web naf aptitude test question 2012 1 online aptitude test aptitude test past questions amp answers e books jobgurus free aptitude tests online aptitude test com quantitative aptitude questions and answers with explanation naf past questions nand answer mehrpc de sbi clerk exam solved quantitative jagranjosh com aptitude

free nigerian air force naf past questions and answers 2022 - Apr 30 2022

web note about the test format on the nigerian air force naf job aptitude test you ll face 3 test sections numerical reasoning verbal reasoning and abstract reasoning questions logical reasoning sample questions for nigerian air force a labourer is paid

n5 400 00k per month what is his total salary in 1 3 4years

naf aptitude test question 2012 pdf uniport edu - Dec 07 2022

web standards for aptitudes abilities medical conditions and physical fitness to be used in selecting recruits who are most likely to succeed in their jobs and complete the first term of service generally 36 months

nigerian air force past questions naf aptitude test jobsgivers - Jul 14 2023

web nigerian air force past questions and answers for aptitude test download naf exams past question papers here in updated pdf for 2020 screening exercise this material is highly necessary to pass naf cbt aptitude test ensure you get our up to date copy table of contents display

naif ne demek naif nedir naif tdk sözlük anlamı - Dec 27 2021

web dec 5 2019 naif kelimesi çoğu zaman nahif kelimesi ile karıştırılmaktadır kibar şekilde davranan bir kişiye ne kadar naif denir naif kelimesi tecrübesi olmayan toy deneyimsiz anlamlarına

naf definition of naf by the free dictionary - Jan 28 2022

web define naf naf synonyms naf pronunciation naf translation english dictionary definition of naf abbr numbered air force american heritage dictionary of the english language fifth edition morphology and x ray diffraction iii the test of their cytotoxic activity in vitro on two different human cancer cell lines namely

read free naf aptitude test question 2012 - Sep 04 2022

web naf aptitude test question 2012 phr exam examfocus study notes and review questions 2012 with intensive drill on employment laws and regulations dec 19 2020 the phr exam is available via the prometric test centers it is computer based no need for paper and pencil at all it has 165 multiple choice questions

naf aptitude test question 2012 survey thecube - Nov 06 2022

web test ipm 2012 aptitude test overall cutoff an ideal attempt in this test should be at least 48 questions with not less than 8590 a collection of 100 aptitude test questions you can practice these model aptitude test questions and appear for

naf aptitude test question 2012 test reportandsupport gold ac - Aug 03 2022

web if you undertaking to download and deploy the naf aptitude test question 2012 it is thoroughly plain then at present we extend the associate to buy and create bargains to fetch and implement naf aptitude test question 2012 therefore plain

naf aptitude test question 2012 2022 test prconvention - Feb 09 2023

web you have remained in right site to start getting this info acquire the naf aptitude test question 2012 join that we give here and check out the link you could buy lead naf aptitude test question 2012 or get it as soon as feasible you could speedily download this naf aptitude test question 2012 after getting deal so considering you require

naf aptitude test question 2012 erp ecomobi com - Mar 30 2022

web march 7th 2018 sign fax and form popularity naf dssc aptitude test questions get create make and airforce dssc 2012 aptitude test jobs vacancies nigeria raf aptitude test examples jobtestprep may 1st 2018 free practice examples of questions on the raf aptitude test including all sections of the royal air force test such as spatial

naf aptitude test question 2012 pdf - Apr 11 2023

web usually go unheard yet set within the pages of naf aptitude test question 2012 a captivating literary prize blinking with raw thoughts lies an extraordinary journey waiting to be undertaken written by a skilled wordsmith that wonderful opus encourages viewers on an introspective journey

nigerian air force past questions answers naf aptitude test - Aug 15 2023

web jul 20 2023 nigerian air force aptitude test past questions and answers download naf exams past question papers here on pdf this material is extremely updated for the 2020 screening exercise to succeed in the naf cbt aptitude test it essential that you get the naf past questions as it will help you to understand what to expect on the day of

nigerian air force naf past questions and answers pdf - May 12 2023

web latest pdf nigerian air force common entrance past questions free naf past questions and answers as an act of benevolence prompted by our desire to see you succeed we have provided few samples of nigerian air force past questions and answers the naf recruitment past questions are made up of mathematics english

read free naf aptitude test question 2012 - Jan 08 2023

web naf aptitude test question 2012 free career aptitude and career assessment tests the balance feb 02 2023 web dec 22 2022 most career aptitude tests ask questions about interests values and preferred tasks then generate information on potential occupations taking career tests can be a good starting point for

naf aptitude test question 2012 copy sam arabtravelers - Oct 05 2022

web naf aptitude test question 2012 hearing on national defense authorization act for fiscal year 2012 and oversight of previously authorized programs before the committee on armed services house of representatives one hundred twelfth congress first session

naf aptitude test question 2012 - Jul 02 2022

web time for their favorite books past this naf aptitude test question 2012 but end stirring in harmful downloads rather than enjoying a good ebook when a cup of coffee in the afternoon on the other hand they juggled subsequent to some harmful virus inside their computer naf aptitude test question 2012 is nearby in our digital library an

naf aptitude test question 2012 shaul io - Jun 13 2023

web this one merely said the naf aptitude test question 2012 is universally compatible once any devices to read joint ethics regulation jer united states department of defense 2023 04 04 assessing fitness for military enlistment national research

council 2023 04 04 the u s department of defense dod faces short term and long term

naf aptitude test question 2012 help environment harvard edu - Jun 01 2022

web kindly say the naf aptitude test question 2012 is universally compatible with any devices to read code of federal regulations title 40 protection of environment pt 425 699 revised as of july 1 2012 u s office of the federal register 2012 09 28 light metals 2018 olivier martin 2018 01 31 the light metals symposia at the tms annual

naif ne demek tdk ya göre naif nedir ne anlama gelir - Feb 26 2022

web apr 24 2020 türkçede deneyimsiz doğal saf sade anlamlarını taşımakta olan naif kelimesi bir sıfattır ve genellikle bir kişiden bahsederken kullanılır o kişinin doğal ve sade olduğunu

pennsylvania department of education - Jul 08 2022

web plds were developed and reviewed by committees of pennsylvania educators consistent with the recently enacted chapter 4 regulation during this process educators reviewed what students in pennsylvania should know and be able to do based on the respective keystone assessment anchor content standards

pennsylvania algebra i keystone exam test prep practice - Nov 12 2022

web the pennsylvania algebra i keystone exam is used to test students algebra proficiency and serves as one component of pennsylvania s high school graduation requirements

pe nnsyl v ania spring ford area school district - Oct 11 2022

web keystone algebra i item and scoring sampler september 2017 5 information about algebra i if you finish early you may check your work in module 1 or module 2 only y do not look ahead at the questions in module 2 of your exam materials y after you have checked your work close your exam materials

2022 2023 pennsylvania department of education keystone algebra - Sep 22 2023

web keystone algebra i item and scoring sampler august 2022 2 information about algebra i alignment the algebra i keystone exam consists of questions grouped into two modules module 1 operations and linear equations inequalities and module 2 linear functions and data organizations

pennsylvania keystone algebra 1 item sampler 2016 - Mar 16 2023

web algebra i answer booklet some answers may require graphing plotting labeling drawing or shading if you use scratch paper to write your draft be sure to transfer your final response to the algebra i answer booklet if you finish early you may check your work in module 1 or module 2 only

keystone exams item and scoring sampler pennsylvania - Feb 15 2023

web keystone algebra i item and scoring sampler september 2018 5 information about algebra i if you finish early you may check your work in module 1 or module 2 only y do not look ahead at the questions in module 2 of your exam materials y

after you have checked your work close your exam materials

pa algebra 1 keystone review data analysis unit with step by tpt - May 06 2022

web this resource reviews the main concepts ideas in the algebra 1 unit of data analysis to help prepare students for the pa algebra 1 keystone exam pdf contains review questions step by step answers that walk students through the important concepts of measures of central tendency mean median mode range scatter plots line of best

pennsylvania algebra i keystone exam practice test study com - Aug 09 2022

web our pennsylvania algebra i keystone practice test reveals our users results right after they finish the practice test

keystone algebra i general scoring guideline - Jan 14 2023

web keystone reference algebra i constructed response questions general description of scoring guidelines 4 points the response demonstrates a thorough understanding of the mathematical concepts and procedures required by the task the response provides correct answer s with clear and complete

pennsylvania keystone algebra i study guide - Jun 07 2022

web ace the test with this comprehensive pennsylvania keystone algebra 1 study guide take a deep dive into exam content format and more to excel on test day

pennsylvania keystone algebra 1 item sampler - Oct 23 2023

web algebra i answer booklet some answers may require graphing plotting labeling drawing or shading if you use scratch paper to write your draft be sure to transfer your final response to the algebra i answer booklet

finish line pa core math continental educational publisher - Sep 10 2022

web continental your pennsylvania neighbor offers finish line pa core math to reinforce your daily teaching of the standards and prepare students for the pssa easy to use concise simply presented lessons keep students focused and on task

components include student workbooks student answer booklets optional and annotated teacher s editions

pennsylvania keystone exams algebra i item and scoring sampler - Dec 13 2022

web the correct answer for each multiple choice item is worth one point the constructed response items require students to develop and write or construct their responses constructed response items in algebra i are scored using item specific scoring guidelines based on a 0 4 point scale

pe nnsyl v ania pdesas org - Apr 17 2023

web the algebra i answer booklet if you finish early you may check your work in module 1 or module 2 only pennsylvania keystone algebra i item and scoring sampler 2015 6 keystone algebra i sampler information about algebra i general description of scoring guidelines for algebra i

keystone exams algebra i pennsylvania department of education - May 18 2023

web introduction since the introduction of the keystone exams the pennsylvania department of education pde has been working to create a set of tools designed to help educators improve instructional practices and better understand the keystone exams

pennsylvania keystone algebra i exam test prep study com - Apr 05 2022

web this pennsylvania keystone algebra i exam overview covers the most relevant information about the test like its purpose structure content and specifics

pennsylvania keystone algebra 1 item sampler 2019 - Aug 21 2023

web answer by applying an incorrect property for example a student could arrive at answer b by applying the additive property of equality resulting in an equivalent equation which does not lead to the equation after the question mark in one step keystone algebra i item and scoring sampler september 2019 14

2023 2024 pennsylvania department of education keystone algebra - Jul 20 2023

web the algebra i answer booklet some answers may require graphing plotting labeling drawing or shading if you use scratch paper to write your draft be sure to transfer your final response to the algebra i answer booklet page 7

keystone finish line algebra i continental educational publisher - Jun 19 2023

web keystone finish line algebra i grades 6 12 state standards 6 15 22 30 each support classroom learning and test day readiness with targeted review for pennsylvania s algebra i standards and keystone item types grade grades 6 12 format choose an option clear selections add to cart

pattan keystone finish line algebra 1 - Mar 04 2022

web parent to parent of pennsylvania penn data pennsylvania association of intermediate units paiu state interagency print keystone finish line algebra 1 keystone finish line algebra 1 keystone finish line algebra 1 by none isbn 0845473719 isbn13 9780845473719 access 9856 pages 220