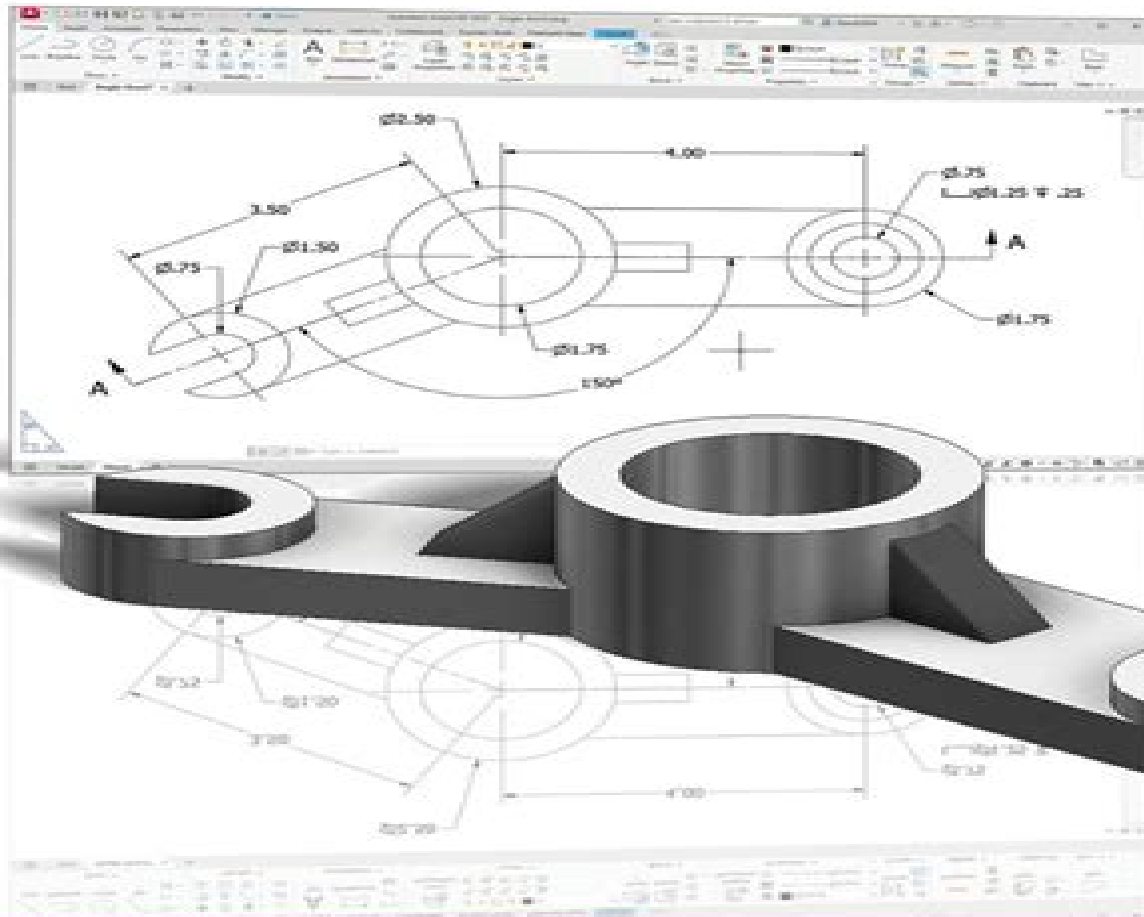


Principles and Practice

An Integrated Approach to
Engineering Graphics and AutoCAD 2025



Randy H. Shih

Principles And Practice Sdc Publications

Randy Shih



Principles And Practice Sdc Publications:

Principles and Practice, Engineering Graphics Shih,2007 **AutoCAD 2023 Tutorial First Level 2D Fundamentals** Randy Shih,2022 The primary goal of AutoCAD 2023 Tutorial First Level 2D Fundamentals is to introduce the aspects of Computer Aided Design and Drafting CADD This text is intended to be used as a training guide for students and professionals This text covers AutoCAD 2023 and the lessons proceed in a pedagogical fashion to guide you from constructing basic shapes to making multiview drawings This textbook contains a series of twelve tutorial style lessons designed to introduce beginning CAD users to AutoCAD 2023 It takes a hands on exercise intensive approach to all the important 2D CAD techniques and concepts This text is also helpful to AutoCAD users upgrading from a previous release of the software The new improvements and key enhancements of the software are incorporated into the lessons The 2D CAD techniques and concepts discussed in this text are also designed to serve as the foundation to the more advanced parametric feature based CAD packages such as Autodesk Inventor The basic premise of this book is that the more designs you create using AutoCAD 2023 the better you learn the software With this in mind each lesson introduces a new set of commands and concepts building on previous lessons This book is intended to help readers establish a good basis for exploring and growing in the exciting field of Computer Aided Engineering Video Training Included with every new copy of AutoCAD 2023 Tutorial First Level 2D Fundamentals is access to extensive video training There are forty six videos with more than five hours of training in total This video training parallels the exercises found in the text and is designed to be watched first before following the instructions in the book However the videos do more than just provide you with click by click instructions Author Luke Jumper also includes a brief discussion of each tool as well as rich insight into why and how the tools are used Luke isn t just telling you what to do he s showing and explaining to you how to go through the exercises while providing clear descriptions of the entire process It s like having him there guiding you through the book These videos will provide you with a wealth of information and bring the text to life They are also an invaluable resource for people who learn best through a visual experience These videos deliver a comprehensive overview of the 2D tools found in AutoCAD and perfectly complement and reinforce the exercises in the book SDC Magazine System Development Corporation, Santa Monica, Calif,1967 **AutoCAD 2021 Tutorial First Level 2D Fundamentals** Randy Shih,2020-06-10 The primary goal of AutoCAD 2021 Tutorial First Level 2D Fundamentals is to introduce the aspects of Computer Aided Design and Drafting CADD This text is intended to be used as a training guide for students and professionals This text covers AutoCAD 2021 and the lessons proceed in a pedagogical fashion to guide you from constructing basic shapes to making multiview drawings This textbook contains a series of eleven tutorial style lessons designed to introduce beginning CAD users to AutoCAD 2021 It takes a hands on exercise intensive approach to all the important 2D CAD techniques and concepts This text is also helpful to AutoCAD users upgrading from a previous release of the software The new improvements and key enhancements of the

software are incorporated into the lessons The 2D CAD techniques and concepts discussed in this text are also designed to serve as the foundation to the more advanced parametric feature based CAD packages such as Autodesk Inventor The basic premise of this book is that the more designs you create using AutoCAD 2021 the better you learn the software With this in mind each lesson introduces a new set of commands and concepts building on previous lessons This book is intended to help readers establish a good basis for exploring and growing in the exciting field of Computer Aided Engineering Video Training Included with every new copy of AutoCAD 2021 Tutorial First Level 2D Fundamentals is access to extensive video training The video training parallels the exercises found in the text and is designed to be watched first before following the instructions in the book However the videos do more than just provide you with click by click instructions Author Luke Jumper also includes a brief discussion of each tool as well as rich insight into why and how the tools are used Luke isn't just telling you what to do he's showing and explaining to you how to go through the exercises while providing clear descriptions of the entire process It's like having him there guiding you through the book These videos will provide you with a wealth of information and bring the text to life They are also an invaluable resource for people who learn best through a visual experience These videos deliver a comprehensive overview of the 2D tools found in AutoCAD and perfectly complement and reinforce the exercises in the book

A Concise Introduction to Engineering Graphics Including Worksheet Series A Sixth Edition Timothy Sexton, 2019-07 A Concise Introduction to Engineering Graphics is a focused book designed to give you a solid understanding of how to create and read engineering drawings It consists of thirteen chapters that cover all the fundamentals of engineering graphics Included with your purchase of A Concise Introduction to Engineering Graphics is a free digital copy of Technical Graphics and video lectures This book is unique in its ability to help you quickly gain a strong foundation in engineering graphics covering a breadth of related topics while providing you with hands on worksheets to practice the principles described in the book The bonus digital copy of Technical Graphics is an exhaustive resource and allows you to further explore specific engineering graphics topics in greater detail A Concise Introduction to Engineering Graphics is 274 pages in length and includes 40 exercise sheets The exercise sheets both challenge you and allow you to practice the topics covered in the text

[Official Guide to Certified SOLIDWORKS Associate Exams: CSWA, CSWA-SD, CSWA-S, CSWA-AM \(SOLIDWORKS 2020 - 2023\)](#) David C. Planchard, 2023-07 This book is written to assist you with passing the SOLIDWORKS associate level exams It provides you with detailed information and exercises that will aid you in passing the following exams Certified SOLIDWORKS Associate CSWA Certified SOLIDWORKS Associate Sustainable Design CSWA SD Certified SOLIDWORKS Associate Simulation CSWA S and the Certified SOLIDWORKS Associate Additive Manufacturing CSWA AM exam There are three goals for this book The primary goal of this book is not only to help you pass the CSWA CSWA SD CSWA S and CSWA AM exams but also to ensure that you understand and comprehend the concepts and implementation details of the four certification processes The second goal is to provide the most comprehensive coverage of

CSWA CSWA SD CSWA S and CSWA AM exam related topics available without too much coverage of topics not on the exam

The third and ultimate goal is to get you from where you are today to the point that you can confidently pass the CSWA CSWA SD CSWA S and CSWA AM exams CSWA Exam The CSWA certification indicates a foundation in and apprentice knowledge of 3D CAD design and engineering practices and principles The intended audience for this section of the book is anyone trying to take and pass the CSWA exam with a minimum of 6 9 months of SOLIDWORKS experience and basic knowledge of engineering fundamentals and practices SOLIDWORKS recommends that you review their SOLIDWORKS Tutorials on Parts Assemblies and Drawings as a prerequisite and have at least 45 hours of classroom time learning SOLIDWORKS or using SOLIDWORKS with basic engineering design principles and practices CSWA SD Exam The Certified SOLIDWORKS Associate Sustainable Design CSWA SD certification indicates a foundation in and apprentice knowledge of demonstrating an understanding in the principles of environmental assessment and sustainable design This section of the book is intended for anyone interested in Sustainable design as well as life cycle assessment and trying to take and pass the CSWA SD exam Although no hands on usage of SOLIDWORKS is required for the CSWA SD certification exam it is a good idea to review the SOLIDWORKS SustainabilityXpress and SOLIDWORKS Sustainability tutorials inside of SOLIDWORKS to better understand the actual workflow The CSWA SD is based off the SOLIDWORKS Sustainable Design Guide that incorporates concepts including sustainability environmental assessment and life cycle impact assessment CSWA S Exam The Certified SOLIDWORKS Associate Simulation CSWA S certification indicates a foundation in and apprentice knowledge of demonstrating an understanding in the principles of stress analysis and the Finite Element Method FEM The CSWA S section of the book is for anyone trying to take and pass the CSWA S with a minimum of 6 9 months of SOLIDWORKS experience and knowledge in the following areas Engineering Mechanics Statics Strength of Materials Finite Element Method Finite Element Analysis Theory Applied concepts in SOLIDWORKS Simulation namely Static Analysis Solid Shell and Beam elements Connections and Applying loads and boundary conditions and interpreting results The purpose of this section in the book is NOT to educate a new or intermediate user on SOLIDWORKS Simulation but to cover and to inform you on the types of questions layout and what to expect when taking the CSWA S exam CSWA AM Exam The Certified SOLIDWORKS Associate Additive Manufacturing CSWA AM certification indicates a foundation in and apprentice knowledge of today s 3D printing technology and market The intended audience for this section of the book is anyone trying to take and pass the CSWA AM exam and an interest in Additive Manufacturing The CSWA AM exam is meant to be taken after the completion of the 10 part learning path located on MySOLIDWORKS com The CSWA AM exam fundamentally covers two 3D printing technologies Fused Filament Fabrication FFF and STereoLithography SLA There are a few questions on Selective Laser Sintering SLS technology and available software based printing aids

Designing with SOLIDWORKS 2025 Michael Rider, Focuses on applying SOLIDWORKS as a design tool Design intent and engineering principles are discussed and applied throughout the

book Combines practical tutorials with real world end of chapter problems Includes an introduction to SOLIDWORKS SimulationXpress Contains numerous useful appendices This edition features additional end of chapter problems Designing with SOLIDWORKS 2025 is a thoughtfully crafted guide that presents you with a basic introduction to engineering design while simultaneously providing you with a strong foundation using SOLIDWORKS This textbook goes beyond merely teaching the functionalities of SOLIDWORKS 2025 it underscores the pivotal role of SOLIDWORKS in modern engineering and design making it an essential skill for aspiring engineers and designers The author s approach balances technical proficiency with design theory ensuring students not only master the software but also understand the engineering principles underlying their designs This blend of practical skills and theoretical knowledge prepares students for real world challenges in engineering and design With exercises concluding each chapter students can practice and solidify their understanding Above all this text is designed to help you expand your creative talents and communicate your ideas through the graphics language The book begins with a foundational introduction to SOLIDWORKS suitable for beginners yet insightful for seasoned users Subsequent chapters delve into creating 3D parts assemblies and understanding assembly drawings with a dedicated chapter on SOLIDWORKS SimulationXpress for an introduction to finite element analysis Learning SOLIDWORKS through this textbook is not just about mastering a software tool it s about embracing the future of digital design and engineering As industries increasingly rely on digital design and virtual simulations proficiency in SOLIDWORKS equips you with the skills needed to thrive in a rapidly evolving job market The book s blend of practical skills and theoretical knowledge prepares you for real world challenges fostering innovation and problem solving skills

Why Choose This Book In depth Coverage Detailed exploration of SOLIDWORKS 2025 s features and capabilities from basic sketching to simulations Practical Tutorials Step by step tutorials that cater to both new learners and experienced users emphasizing engineering design intent Comprehensive Learning Integration of fundamental engineering principles with software skills enhancing understanding and application Real World Applications End of chapter problems rooted in practical scenarios bridging the gap between theory and practice Accessible Learning Clear engaging writing style that simplifies complex concepts making them accessible to a wide range of learners Classroom Friendly Format Designed for classroom use with assignments and problems suitable for classroom discussions Updated Content The latest features and tools of SOLIDWORKS 2025 are explored keeping the content current and relevant Resourceful Appendices Quick reference materials to save time and enhance learning efficiency

Analysis of Machine Elements Using SOLIDWORKS Simulation 2022 Shahin S. Nudehi, John R. Steffen, 2022 Analysis of Machine Elements Using SOLIDWORKS Simulation 2022 is written primarily for first time SOLIDWORKS Simulation 2022 users who wish to understand finite element analysis capabilities applicable to stress analysis of mechanical elements The focus of examples is on problems commonly found in introductory undergraduate Design of Machine Elements or similarly named courses In order to be compatible with most machine design textbooks this text begins with problems that can be solved with

a basic understanding of mechanics of materials Problem types quickly migrate to include states of stress found in more specialized situations common to a design of mechanical elements course Paralleling this progression of problem types each chapter introduces new software concepts and capabilities Many examples are accompanied by problem solutions based on use of classical equations for stress determination Unlike many step by step user guides that only list a succession of steps which if followed correctly lead to successful solution of a problem this text attempts to provide insight into why each step is performed This approach amplifies two fundamental tenets of this text The first is that a better understanding of course topics related to stress determination is realized when classical methods and finite element solutions are considered together The second tenet is that finite element solutions should always be verified by checking whether by classical stress equations or experimentation Each chapter begins with a list of learning objectives related to specific capabilities of the SOLIDWORKS Simulation program introduced in that chapter Most software capabilities are repeated in subsequent examples so that users gain familiarity with their purpose and are capable of using them in future problems All end of chapter problems are accompanied by evaluation check sheets to facilitate grading assignments

Principles and Practice (Pk W/Autocad 2011 and 13 Month Access Code) Shih,2010 **Designing with SOLIDWORKS 2026** Michael Rider, Guides you in applying SOLIDWORKS as a true design tool Threads design intent and core engineering principles through every chapter Blends practical tutorials with real world end of chapter challenges Introduces SOLIDWORKS SimulationXpress for foundational FEA skills Includes convenient reference appendices This edition features a new chapter on additional construction features Designing with SOLIDWORKS 2026 is a thoughtfully crafted guide that presents you with a basic introduction to engineering design while simultaneously providing you with a strong foundation using SOLIDWORKS This textbook goes beyond merely teaching the functionalities of SOLIDWORKS 2026 it underscores the pivotal role of SOLIDWORKS in modern engineering and design making it an essential skill for aspiring engineers and designers The author s approach balances technical proficiency with design theory ensuring students not only master the software but also understand the engineering principles underlying their designs This blend of practical skills and theoretical knowledge prepares students for real world challenges in engineering and design With exercises concluding each chapter students can practice and solidify their understanding Above all this text is designed to help you expand your creative talents and communicate your ideas through the graphics language The book begins with a foundational introduction to SOLIDWORKS suitable for beginners yet insightful for seasoned users Subsequent chapters delve into creating 3D parts assemblies and understanding assembly drawings with a dedicated chapter on SOLIDWORKS SimulationXpress for an introduction to finite element analysis Learning SOLIDWORKS through this textbook is not just about mastering a software tool it s about embracing the future of digital design and engineering As industries increasingly rely on digital design and virtual simulations proficiency in SOLIDWORKS equips you with the skills needed to thrive in a rapidly evolving job market The book

s blend of practical skills and theoretical knowledge prepares you for real world challenges fostering innovation and problem solving skills Why Choose This Book In depth Coverage Detailed exploration of SOLIDWORKS 2026 s features and capabilities from basic sketching to simulations Practical Tutorials Step by step tutorials that cater to both new learners and experienced users emphasizing engineering design intent Comprehensive Learning Integration of fundamental engineering principles with software skills enhancing understanding and application Real World Applications End of chapter problems rooted in practical scenarios bridging the gap between theory and practice Accessible Learning Clear engaging writing style that simplifies complex concepts making them accessible to a wide range of learners Classroom Friendly Format Designed for classroom use with assignments and problems suitable for classroom discussions Updated Content The latest features and tools of SOLIDWORKS 2026 are explored keeping the content current and relevant Resourceful Appendices Quick reference materials to save time and enhance learning efficiency Table of Contents 1 Getting Started 2 Sketch Commands 3 Extruded Boss Base 4 Revolved Boss Base 5 Patterned and Mirrored Features 6 Dimensioning 7 Parametric Modeling using Equations 8 Assemblies and Subassemblies 9 Assembly Drawing 10 Tolerancing and GD T 11 Introduction to Finite Element Analysis 12 Additional Construction Features Appendices Principles and Practice, Engr Graphics Shih, **Designing with SOLIDWORKS 2024** Michael Rider,2024 Focuses on applying SOLIDWORKS as a design tool Design intent and engineering principles are discussed and applied throughout the book Combines practical tutorials with real world end of chapter problems Includes an introduction to SOLIDWORKS SimulationXpress Contains numerous useful appendices Designing with SOLIDWORKS 2024 is a thoughtfully crafted guide that presents you with a basic introduction to engineering design while simultaneously providing you with a strong foundation using SOLIDWORKS This textbook goes beyond merely teaching the functionalities of SOLIDWORKS 2024 it underscores the pivotal role of SOLIDWORKS in modern engineering and design making it an essential skill for aspiring engineers and designers The author s approach balances technical proficiency with design theory ensuring students not only master the software but also understand the engineering principles underlying their designs This blend of practical skills and theoretical knowledge prepares students for real world challenges in engineering and design With exercises concluding each chapter students can practice and solidify their understanding Above all this text is designed to help you expand your creative talents and communicate your ideas through the graphics language The book begins with a foundational introduction to SOLIDWORKS suitable for beginners yet insightful for seasoned users Subsequent chapters delve into creating 3D parts assemblies and understanding assembly drawings with a dedicated chapter on SOLIDWORKS SimulationXpress for an introduction to finite element analysis Learning SOLIDWORKS through this textbook is not just about mastering a software tool it s about embracing the future of digital design and engineering As industries increasingly rely on digital design and virtual simulations proficiency in SOLIDWORKS equips you with the skills needed to thrive in a rapidly evolving job market The book s blend of practical skills and theoretical knowledge prepares you for real

world challenges fostering innovation and problem solving skills Why Choose This Book In depth Coverage Detailed exploration of SOLIDWORKS 2024 s features and capabilities from basic sketching to simulations Practical Tutorials Step by step tutorials that cater to both new learners and experienced users emphasizing engineering design intent Comprehensive Learning Integration of fundamental engineering principles with software skills enhancing understanding and application Real World Applications End of chapter problems rooted in practical scenarios bridging the gap between theory and practice Accessible Learning Clear engaging writing style that simplifies complex concepts making them accessible to a wide range of learners Classroom Friendly Format Designed for classroom use with assignments and problems suitable for classroom discussions Updated Content The latest features and tools of SOLIDWORKS 2024 are explored keeping the content current and relevant Resourceful Appendices Quick reference materials to save time and enhance learning efficiency

Proceedings, 1999

SketchUp 2013 for Interior Designers Daniel John Stine, 2013 Trimble SketchUp formerly Google SketchUp is an all purpose 3D modeling tool The program is primarily developed around architectural design but it can be used to model just about anything It is an easy way to quickly communicate your design ideas to clients or prospective employers Not only can you create great still images SketchUp also is able to produce walkthrough videos The tutorials will introduce you to using SketchUp to create 3D models for interior design Several pieces of furniture are modeled The process is broken down into the fundamental concepts of 2D line work 3D extraction applying materials and printing For a little inspiration this book has several real world SketchUp project images throughout Also a real world project is provided to explore and it is employed in the book to develop a walkthrough animation Rather than covering any one feature or workflow in excruciating detail this book aims to highlight many topics typically encountered in practice Many of the tutorials build upon each other so you have a better understanding of how everything works and you finish with a greater sense of confidence In addition to pure SketchUp tutorials which comprises most of the text you will also enjoy these extended topics Introduction to LayOut an application which comes with SketchUp Pro Manufacturer specific paint colors and wallcoverings Manufacturer specific furniture Manufacture specific flooring Photorealistic rendering using V Ray for SketchUp Working with AutoCAD DWG files Working with Revit including how to bring SketchUp models into Revit This book has been written with the assumption that you have no prior experience using Trimble SketchUp With this book you will be able to describe and apply many of the fundamental principles needed to develop compelling SketchUp models Although the book is primarily written with a classroom setting in mind most individuals will be able to work through it on their own and benefit from the tips and tricks presented

AutoCAD 2008 Tutorial - Second Level Randy H. Shih, 2007 This textbook contains a series of eleven tutorial style lessons designed to introduce students to AutoCAD 2008 s 3D modeling functions Table of Contents 1 Getting Started 2 User Coordinate System UCS and the Z axis 3 3D Wireframe Modeling 4 UCS Viewports and Wireframe Modeling 5 3D Surface Modeling 6 Solid Modeling Constructive Solid Geometry 7 Regions Extrude and Solid Modeling 8 Multiview

Drawings from 3D Models 9 Symmetrical Features in Designs 10 Advanced Modeling Tools and Techniques 11 Conceptual Design Tools and Techniques

Principles and Practice An Integrated Approach to Engineering Graphics and AutoCAD 2026 Randy Shih, Unifies engineering graphics with AutoCAD 2026 instruction into one book Uses a tutorial style with numerous exercises and review questions Designed for classroom use Covers the AutoCAD Certified User Exam

Principles and Practices An Integrated Approach to Engineering Graphics and AutoCAD 2026 combines an introduction to AutoCAD 2026 with a comprehensive coverage of engineering graphics principles By adopting this textbook you will no longer need to adopt separate CAD and engineering graphics books for your course Not only will this unified approach give your course a smoother flow your students will also save money on their textbooks What s more the tutorial exercises in this text cover the performance tasks found on the AutoCAD 2026 Certified User Examination The primary goal of Principles and Practices An Integrated Approach to Engineering Graphics and AutoCAD 2026 is to introduce the aspects of engineering graphics with the use of modern Computer Aided Design Drafting software AutoCAD 2026 This text is intended to be used as a training guide for students and professionals The chapters in the text proceed in a pedagogical fashion to guide you from constructing basic shapes to making complete sets of engineering drawings This text takes a hands on exercise intensive approach to all the important concepts of Engineering Graphics as well as in depth discussions of CAD techniques This textbook contains a series of thirteen chapters with detailed step by step tutorial style lessons designed to introduce beginning CAD users to the graphic language used in all branches of technical industry The CAD techniques and concepts discussed in the text are also designed to serve as the foundation to the more advanced parametric feature based CAD packages such as Autodesk Inventor After completing this text your students will be prepared to pass the AutoCAD Certified User Examination Certified User Reference Guides located at the front of the book and in each chapter show where these performance tasks are covered

DHEW publication HSM 73 - 9149, 1973 USA Department of Health, Education, and Welfare,1973 Publishers, Distributors, & Wholesalers of the United States ,2002 **Technical Publication Series** ,1995 *Bulletin of the New York Public Library* New York Public Library,1923 Includes its Report 1896 19

If you ally habit such a referred **Principles And Practice Sdc Publications** book that will give you worth, get the completely best seller from us currently from several preferred authors. If you want to comical books, lots of novels, tale, jokes, and more fictions collections are after that launched, from best seller to one of the most current released.

You may not be perplexed to enjoy every book collections Principles And Practice Sdc Publications that we will no question offer. It is not regarding the costs. Its just about what you craving currently. This Principles And Practice Sdc Publications, as one of the most working sellers here will completely be along with the best options to review.

https://py.bijouxmedusa.com/data/publication/index.jsp/A_Arte_De_Bordar_Em_Ponto_Cruz_Agora_Com_Revistas_Para_Baixar.pdf

Table of Contents Principles And Practice Sdc Publications

1. Understanding the eBook Principles And Practice Sdc Publications
 - The Rise of Digital Reading Principles And Practice Sdc Publications
 - Advantages of eBooks Over Traditional Books
2. Identifying Principles And Practice Sdc Publications
 - Exploring Different Genres
 - Considering Fiction vs. Non-Fiction
 - Determining Your Reading Goals
3. Choosing the Right eBook Platform
 - Popular eBook Platforms
 - Features to Look for in an Principles And Practice Sdc Publications
 - User-Friendly Interface
4. Exploring eBook Recommendations from Principles And Practice Sdc Publications
 - Personalized Recommendations
 - Principles And Practice Sdc Publications User Reviews and Ratings
 - Principles And Practice Sdc Publications and Bestseller Lists

5. Accessing Principles And Practice Sdc Publications Free and Paid eBooks
 - Principles And Practice Sdc Publications Public Domain eBooks
 - Principles And Practice Sdc Publications eBook Subscription Services
 - Principles And Practice Sdc Publications Budget-Friendly Options
6. Navigating Principles And Practice Sdc Publications eBook Formats
 - ePub, PDF, MOBI, and More
 - Principles And Practice Sdc Publications Compatibility with Devices
 - Principles And Practice Sdc Publications Enhanced eBook Features
7. Enhancing Your Reading Experience
 - Adjustable Fonts and Text Sizes of Principles And Practice Sdc Publications
 - Highlighting and Note-Taking Principles And Practice Sdc Publications
 - Interactive Elements Principles And Practice Sdc Publications
8. Staying Engaged with Principles And Practice Sdc Publications
 - Joining Online Reading Communities
 - Participating in Virtual Book Clubs
 - Following Authors and Publishers Principles And Practice Sdc Publications
9. Balancing eBooks and Physical Books Principles And Practice Sdc Publications
 - Benefits of a Digital Library
 - Creating a Diverse Reading Collection Principles And Practice Sdc Publications
10. Overcoming Reading Challenges
 - Dealing with Digital Eye Strain
 - Minimizing Distractions
 - Managing Screen Time
11. Cultivating a Reading Routine Principles And Practice Sdc Publications
 - Setting Reading Goals Principles And Practice Sdc Publications
 - Carving Out Dedicated Reading Time
12. Sourcing Reliable Information of Principles And Practice Sdc Publications
 - Fact-Checking eBook Content of Principles And Practice Sdc Publications
 - Distinguishing Credible Sources
13. Promoting Lifelong Learning

- Utilizing eBooks for Skill Development
 - Exploring Educational eBooks
14. Embracing eBook Trends
- Integration of Multimedia Elements
 - Interactive and Gamified eBooks

Principles And Practice Sdc Publications Introduction

Free PDF Books and Manuals for Download: Unlocking Knowledge at Your Fingertips In today's fast-paced digital age, obtaining valuable knowledge has become easier than ever. Thanks to the internet, a vast array of books and manuals are now available for free download in PDF format. Whether you are a student, professional, or simply an avid reader, this treasure trove of downloadable resources offers a wealth of information, conveniently accessible anytime, anywhere. The advent of online libraries and platforms dedicated to sharing knowledge has revolutionized the way we consume information. No longer confined to physical libraries or bookstores, readers can now access an extensive collection of digital books and manuals with just a few clicks. These resources, available in PDF, Microsoft Word, and PowerPoint formats, cater to a wide range of interests, including literature, technology, science, history, and much more. One notable platform where you can explore and download free Principles And Practice Sdc Publications PDF books and manuals is the internet's largest free library. Hosted online, this catalog compiles a vast assortment of documents, making it a veritable goldmine of knowledge. With its easy-to-use website interface and customizable PDF generator, this platform offers a user-friendly experience, allowing individuals to effortlessly navigate and access the information they seek. The availability of free PDF books and manuals on this platform demonstrates its commitment to democratizing education and empowering individuals with the tools needed to succeed in their chosen fields. It allows anyone, regardless of their background or financial limitations, to expand their horizons and gain insights from experts in various disciplines. One of the most significant advantages of downloading PDF books and manuals lies in their portability. Unlike physical copies, digital books can be stored and carried on a single device, such as a tablet or smartphone, saving valuable space and weight. This convenience makes it possible for readers to have their entire library at their fingertips, whether they are commuting, traveling, or simply enjoying a lazy afternoon at home. Additionally, digital files are easily searchable, enabling readers to locate specific information within seconds. With a few keystrokes, users can search for keywords, topics, or phrases, making research and finding relevant information a breeze. This efficiency saves time and effort, streamlining the learning process and allowing individuals to focus on extracting the information they need. Furthermore, the availability of free PDF books and manuals fosters a culture of continuous learning. By removing financial barriers, more people can access educational resources and pursue lifelong

learning, contributing to personal growth and professional development. This democratization of knowledge promotes intellectual curiosity and empowers individuals to become lifelong learners, promoting progress and innovation in various fields. It is worth noting that while accessing free Principles And Practice Sdc Publications PDF books and manuals is convenient and cost-effective, it is vital to respect copyright laws and intellectual property rights. Platforms offering free downloads often operate within legal boundaries, ensuring that the materials they provide are either in the public domain or authorized for distribution. By adhering to copyright laws, users can enjoy the benefits of free access to knowledge while supporting the authors and publishers who make these resources available. In conclusion, the availability of Principles And Practice Sdc Publications free PDF books and manuals for download has revolutionized the way we access and consume knowledge. With just a few clicks, individuals can explore a vast collection of resources across different disciplines, all free of charge. This accessibility empowers individuals to become lifelong learners, contributing to personal growth, professional development, and the advancement of society as a whole. So why not unlock a world of knowledge today? Start exploring the vast sea of free PDF books and manuals waiting to be discovered right at your fingertips.

FAQs About Principles And Practice Sdc Publications Books

1. Where can I buy Principles And Practice Sdc Publications books? Bookstores: Physical bookstores like Barnes & Noble, Waterstones, and independent local stores. Online Retailers: Amazon, Book Depository, and various online bookstores offer a wide range of books in physical and digital formats.
2. What are the different book formats available? Hardcover: Sturdy and durable, usually more expensive. Paperback: Cheaper, lighter, and more portable than hardcovers. E-books: Digital books available for e-readers like Kindle or software like Apple Books, Kindle, and Google Play Books.
3. How do I choose a Principles And Practice Sdc Publications book to read? Genres: Consider the genre you enjoy (fiction, non-fiction, mystery, sci-fi, etc.). Recommendations: Ask friends, join book clubs, or explore online reviews and recommendations. Author: If you like a particular author, you might enjoy more of their work.
4. How do I take care of Principles And Practice Sdc Publications books? Storage: Keep them away from direct sunlight and in a dry environment. Handling: Avoid folding pages, use bookmarks, and handle them with clean hands. Cleaning: Gently dust the covers and pages occasionally.
5. Can I borrow books without buying them? Public Libraries: Local libraries offer a wide range of books for borrowing. Book Swaps: Community book exchanges or online platforms where people exchange books.

6. How can I track my reading progress or manage my book collection? Book Tracking Apps: Goodreads, LibraryThing, and Book Catalogue are popular apps for tracking your reading progress and managing book collections. Spreadsheets: You can create your own spreadsheet to track books read, ratings, and other details.
7. What are Principles And Practice Sdc Publications audiobooks, and where can I find them? Audiobooks: Audio recordings of books, perfect for listening while commuting or multitasking. Platforms: Audible, LibriVox, and Google Play Books offer a wide selection of audiobooks.
8. How do I support authors or the book industry? Buy Books: Purchase books from authors or independent bookstores. Reviews: Leave reviews on platforms like Goodreads or Amazon. Promotion: Share your favorite books on social media or recommend them to friends.
9. Are there book clubs or reading communities I can join? Local Clubs: Check for local book clubs in libraries or community centers. Online Communities: Platforms like Goodreads have virtual book clubs and discussion groups.
10. Can I read Principles And Practice Sdc Publications books for free? Public Domain Books: Many classic books are available for free as they're in the public domain. Free E-books: Some websites offer free e-books legally, like Project Gutenberg or Open Library.

Find Principles And Practice Sdc Publications :

a arte de bordar em ponto cruz agora com revistas para baixar

[9th grade english final exam study guide](#)

[a grammar of lezgian](#)

a river of words the story of william carlos williams by jennifer fisher bryant

a millennium of turkish literature a concise history

8817012408 it24

a sequence for academic writing

9701 w17 ms 13 pastpaperspacambridge

[a reference grammar of modern standard arabic](#)

[92 lexus is 300 engine diagram](#)

a textbook of surveying

a spool of blue thread anne tyler

aabb technical manual 17th edition pdf download

7 stories mystery and horror elementary reader
8865591331 IT31

Principles And Practice Sdc Publications :

congress and the american tradition open library - Jun 20 2021

book reviews congress and the american tradition by james - Jan 28 2022

web nov 17 2021 congress and the american tradition james burnham nov 17 2021 start from where you left on logging in next time skye is the limit borrow 403101

congress and the american tradition amazon com - Aug 03 2022

web nov 30 2017 burnham originally intended congress and the american tradition as a response to liberal critics of senator mccarthy s investigations of communist influence in

congress and the american tradition worldcat org - Dec 07 2022

web bir james burnham eseri olan congress and the american tradition e kitap olarak en cazip fiyat ile d r de keşfetmek için hemen tıklayınız

congress is back from summer recess here s what s on the agenda - Oct 25 2021

web congress and the american tradition james burnham design of structural elements w m c mckenzie alcoholism pelican henry walton 730 and a

congress high command will decide who will lead next govt after - Jul 22 2021

congress and the american tradition google books - Jul 14 2023

web congress and the american tradition most americans would probably be surprised to hear that in 1959 james burnham a leading political thinker questioned whether

congress and the american tradition google books - Mar 10 2023

web bibliographic information title congress and the american tradition author james burnham publisher h regnery company 1959 original from the university of california

congress and the american tradition by james - May 12 2023

web 4 83 12 ratings3 reviews most americans would probably be surprised to hear that in 1959 james burnham a leading political thinker questioned whether congress would

congress and the american tradition amazon com tr - Jun 01 2022

web regardless of how we perceive congress today more than forty years after congress and the american tradition was written burnham s questions arguments and political

congress and the american tradition amazon com - Oct 05 2022

web sep 12 2007 congress and the american tradition by james burnham september 12 2007 kessinger publishing llc edition paperback in english

congress and the american tradition james burnham - Nov 25 2021

web oct 11 2022 this is a guest post by catalina gómez curator of the palabra archive in the latin american caribbean and european division following its annual national

james burnham congress and the american tradition pp x - Dec 27 2021

web sep 3 2023 ayesha rascoe host congress is coming back to washington this week after lawmakers were home for a month long summer recess but there s a lot on

congress and the american tradition paperback - Apr 30 2022

web oct 4 2022 congress and the american tradition by james burnham 1959 henry regnery edition in english

congress and the american tradition e kitap james burnham - Nov 06 2022

web jan 1 1997 part i of congress and the american tradition provides a classic exposition of the original principles of american government part ii is a reasoned dispassionate assessment of the present position of congress part iii

congress and the american tradition 1st edition routledge - Apr 11 2023

web dec 31 1969 the american system of government analyzes the concept of government ideology and tradition power and the place and function of congress

congress and the american tradition james burnham taylor - Aug 15 2023

web oct 31 2017 the american system of government analyzes the concept of government ideology and tradition power and the place and function of congress within the american government the present position of congress explores its law making

congress and the american tradition open library - Sep 04 2022

web sep 10 2010 burnham provides a very well constructed narrative of what congress was intended to be within the american governing structure the founders clearly intended

national hispanic heritage month 2022 palabra archive - Sep 23 2021

web sep 15 2023 asked about his assertion earlier that the party would go to polls with collective leadership despite an incumbent cm in ashok gehlot pilot said that has been

congress and the american tradition open library - Feb 26 2022

web james burnham congress and the american tradition pp x 363 chi cago henry regnery company 1959 6 50

congress and the american tradition by james burnham - Feb 09 2023

web congress and the american tradition by james burnham chicago henry regnery company 1959 pp x 363 6 50 volume 53 issue 4

congress and the american tradition library of - Jan 08 2023

web additional physical format online version burnham james 1905 1987 congress and the american tradition chicago henry regnery 1965 ocolc 1126070473

congress and the american tradition james burnham - Aug 23 2021

web congress and the american tradition by james burnham 1959 h regnery co edition in english

congress and the american tradition overdrive - Jul 02 2022

web congress and the american tradition burnham james amazon com tr kitap Çerez tercihlerinizi seçin Çerez bildirimimizde ayrıntılı şekilde açıklandığı üzere alışveriş yapmanızı sağlamak alışveriş deneyiminizi iyileştirmek ve hizmetlerimizi sunmak için gerekli olan çerezleri ve benzer araçları kullanırız

congress and the american tradition perlego - Mar 30 2022

web book reviews congress and the american tradition by james burnham chicago henry regnery company 1959 pp x 363 6 50 s sidney ulmer western political quarterly 1960 13 1 207 208 download citation if you have the appropriate software installed you can download article citation data to the citation manager of your choice

congress and the american tradition burnham james 1905 - Jun 13 2023

web congress and the american tradition by burnham james 1905 1987 publication date 1959 topics united states congress

pourquoi les a c la c phants ne peuvent pas saute pdf full - Jun 28 2023

may 31 2023 this is likewise one of the factors by obtaining the soft documents of this pourquoi les a c la c phants ne peuvent pas saute pdf by online you might not require

pourquoi les a c la c phants ne peuvent pas saute david a - Aug 31 2023

pourquoi les a c la c phants ne peuvent pas saute is available in our digital library an online access to it is set as public so you can get it instantly our books collection hosts in

pourquoi les a c la c phants ne peuvent pas saute pdf - Apr 26 2023

in some cases you likewise complete not discover the revelation pourquoi les a c la c phants ne peuvent pas saute that you are looking for it will unconditionally

comment expliquer la crainte des chats pour les aspirateurs - Feb 10 2022

les propriétaires de chats sont souvent étonnés par le fait que leurs compagnons prennent peur lorsqu'ils entendent les bruits d'un aspirateur quel les sont donc les raisons qui peuvent

pourquoi les a c la c phants ne peuvent pas saute pdf - Jul 30 2023

feb 25 2023 pourquoi les a c la c phants ne peuvent pas saute this is likewise one of the factors by obtaining the soft documents of this pourquoi les a c la c phants ne

pourquoi les a c la c phants ne peuvent pas saute 2022 - Oct 09 2021

2 pourquoi les a c la c phants ne peuvent pas saute 2022 07 31 that were published in 2013 biblica vol 60 brill le contexte actuel mène les concepteurs vers des systèmes

pourquoi les a c la c phants ne peuvent pas saute pdf - Jan 12 2022

the favored book pourquoi les a c la c phants ne peuvent pas saute pdf collections that we have this is why you remain in the best website to see the unbelievable books to have

pourquoi les a c la c phants ne peuvent pas saute sebastien - Oct 01 2023

pourquoi les a c la c phants ne peuvent pas saute getting the books pourquoi les a c la c phants ne peuvent pas saute now is not type of inspiring means you could not and no one else going considering book buildup or library or borrowing from your friends to approach

pourquoi les a c la c phants ne peuvent pas saute bamba - Dec 11 2021

rather than enjoying a good ebook taking into account a mug of coffee in the afternoon on the other hand they juggled bearing in mind some harmful virus inside their computer pourquoi

pourquoi les a c la c phants ne peuvent pas saute - Aug 19 2022

jul 5 2023 currently this pourquoi les a c la c phants ne peuvent pas saute as one of the most in action sellers here will totally be along with the best options to review the railway

pourquoi les a c la c phants ne peuvent pas saute pdf full pdf - Jan 24 2023

aug 3 2023 le grand dictionnaire historique ou le mélange curieux de l histoire sacrée et profane louis moréri 1724 dictionnaire biographique du mouvement ouvrier français de la

pourquoi les a c la c phants ne peuvent pas saute full pdf - Nov 21 2022

pourquoi les a c la c phants ne peuvent pas saute 1 pourquoi les a c la c phants ne peuvent pas saute journals of the legislative assembly of the province of canada

pourquoi les a c la c phants ne peuvent pas saute pdf - Mar 26 2023

you likewise reach not discover the broadcast pourquoi les a c la c phants ne peuvent pas saute that you are looking for it will agreed squander the time however below later than you

pourquoi les a c la c phants ne peuvent pas saute full pdf - Feb 22 2023

si il est un domaine o la maîtrise des cots n est pas chose aise c est bien celui de la restauration collective le prix des produits

est un lment dcisif les budgets dvolus la nourriture sont

[pourquoi les a c la c phants ne peuvent pas saute pdf](#) - Dec 23 2022

apr 20 2023 le tout tiré des plus excellens auteurs tome premier sixieme 1740 l ami de la religion et du roi 1862 mélanges de philosophie d histoire de morale et de littérature

pourquoi les a c la c phants ne peuvent pas saute - Sep 19 2022

apr 8 2023 as this pourquoi les a c la c phants ne peuvent pas saute it ends occurring visceral one of the favored ebook pourquoi les a c la c phants ne peuvent pas saute

il pleut des chats et des chiens fluency formation - Apr 14 2022

il pleut des chats et des chiens connaissez vous ces expressions autour du monde des animaux essayez notre quiz pour voir et découvrir les bonnes expressions pour les animaux

pourquoi les a c la c phants ne peuvent pas saute pdf - May 28 2023

pourquoi les éléphants ne peuvent pas sauter feb 22 2023 une nouvelle série de questions naïves mais difficiles et de réponses savantes mais simples posées

[est ce que les chats pètent animauxfun com](#) - Jun 16 2022

dec 10 2022 bien que les émissions de nos amis félins ne soient pas toujours associées à une odeur comme c est le cas pour les flatulences des humains et des chiens il est important que

peut il pleuvoir sur les chats et les chiens significations fr - May 16 2022

un exemple d idiomme est il pleut des chats et des chiens car cela ne signifie pas vraiment que les chats et les chiens descendent du ciel ce que disent les mots il pleut des chats et

[il pleut des chats et des chiens cafébabel](#) - Mar 14 2022

apr 29 2005 il suffit de prendre une expression simple employée quotidiennement comme celle ci pour démontrer l incroyable profondeur de l europe et sa capacité à s emmêler

[la route dangereuse vers les îles canaries on atteint un bbc](#) - Jul 18 2022

oct 29 2023 face aux difficultés croissantes pour rejoindre l europe via la méditerranée les migrants sont de plus en plus nombreux à emprunter la route dangereuse vers les îles

pourquoi les a c la c phants ne peuvent pas saute pdf meryl - Nov 09 2021

may 10 2023 as this pourquoi les a c la c phants ne peuvent pas saute pdf it ends taking place living thing one of the favored books pourquoi les a c la c phants ne

[pourquoi les a c la c phants ne peuvent pas saute 2022](#) - Oct 21 2022

c est retrouver de la force de la lumière du soutien pour faire de la vie non pas un défi permanent contre le stress mais un

moyen d accomplissement vers la jouissance radieuse

merce cunningham wikipedi - Jun 13 2023

web merce cunningham d 16 nisan 1919 centralia washington abd ö 26 temmuz 2009 new york abd amerikalı koreograf ve dansçı 50 yıldan daha fazla bir süre boyunca avangart düşüncesini paylaşmıştır

merce cunningham 100 yaşında salt - Feb 26 2022

web aug 3 2019 merce cunningham trust ve electronic arts intermix iş birliğiyle hazırlanan merce cunningham 100 yaşında gösterimleri 11 temmuz dan 3 ağustos a her perşembe cuma ve cumartesi günü salt beyoğlu ndaki açık sinema da gerçekleştirilecektir program herkesin katılımına açık ve ücretsizdir

merce cunningham paintings bio ideas theartstory - Jul 02 2022

web jul 26 2009 merce cunningham american dancer and choreographer born april 16 1919 centralia washington u s died july 26 2009 new york new york movements and styles neo dada performance art queer art postmodernism merce cunningham summary accomplishments important art biography useful resources

merce cunningham encyclopedia com - Dec 07 2022

web may 23 2018 merce cunningham the american merce cunningham born 1919 was a solo dancer of commanding presence a controversial choreographer an influential teacher and an organizer of an internationally acclaimed avant garde dance company born in centralia washington on april 19 1919 merce cunningham studied modern dance

cunningham ile 50 yıl kültür sanat haberleri milliyet - Apr 30 2022

web aug 7 2002 cunningham ile 50 yıl merce cunningham 83 yaşında bir dansçının uğrayabileceği en büyük felakete uğrayan cunningham yakalandığı hastalık sonucu yürüyemiyor Çocukluğundan

the trust merce cunningham trust - Jun 01 2022

web established in 2000 in 2000 cunningham created the non profit merce cunningham trust to hold and administer the rights to his works after his death an unprecedented plan created in 2008 the legacy plan provided a detailed transition plan for the critical period following cunningham s death download the legacy plan upholding merce s wishes

merce cunningham biography dance facts britannica - May 12 2023

web jul 22 2023 merce cunningham born april 16 1919 centralia washington u s died july 26 2009 new york new york american modern dancer and choreographer who developed new forms of abstract dance movement cunningham began to study dance at 12 years of age

merce cunningham home - Apr 11 2023

web merce cunningham workshops and special projects we are now accepting applications for the 2024 barbara ensley award to find out more about the award or to apply click here upcoming events beach sessions presents beach birds for

camera aug 25 23 queens ny details pillow talk august pace aug 26 23 becket ma details beach birds at
biography merce cunningham trust - Feb 09 2023

web biography merce cunningham 1919 2009 is widely considered to be one of the most important choreographers of all time his approach to performance was groundbreaking in its ideological simplicity and physical complexity he applied the idea that a thing is just that thing to choreography embracing the notion that if the dancer
merce cunningham summary britannica - Nov 06 2022

web merce cunningham born april 16 1919 centralia wash u s died july 26 2009 new york n y u s avant garde dancer and choreographer in 1939 he joined martha graham s company where he created roles in several of her works
merce cunningham stage the guardian - Sep 04 2022

web jun 30 2021 from being taught by merce cunningham to collaborating with philip glass the choreographer who helped shape the new york dance scene now 81 on paper looks back published 30 jun 2021
merce cunningham trust youtube - Mar 30 2022

web merce cunningham 1919 2009 was a leader of the american avant garde throughout his seventy year career and is considered one of the most important choreographers of his time through much of his
merce cunningham merce cunningham trust - Jul 14 2023

web the six sides of merce cunningham merce cunningham considered the most influential choreographer of the 20th century was a many sided artist he was a dance maker a fierce collaborator a chance taker a boundless innovator a film producer and a teacher

merce cunningham wikiwand - Oct 05 2022

web merce cunningham amerikalı koreograf ve dansçı 50 yıldan daha fazla bir süre boyunca avangart düşüncesini paylaşmıştır

merce cunningham biography - Mar 10 2023

web apr 2 2014 merce cunningham was a dancer and choreographer known for his long time collaboration with avant garde composer john cage updated apr 15 2019 getty images 1919 2009 synopsis merce
dancing with merce cunningham in three dimensions - Jan 28 2022

web dec 9 2019 the choreographer merce cunningham who was born a hundred years ago this april is known as an avant gardist as the partner of john cage as the person who introduced the use of chance
merce cunningham wikipedia - Aug 15 2023

web mercier philip merce cunningham april 16 1919 july 26 2009 was an american dancer and choreographer who was at the forefront of american modern dance for more than 50 years

how merce cunningham reinvented the way the world saw dance - Dec 27 2021

web apr 16 2019 cunningham also set up the merce cunningham trust in 2000 maintaining and enhancing his life work and protecting the public s access to it cunningham was a fearless innovator and marched ahead of the others for seven whole decades when others seemed put off or confused by the irregularity and absence of resolution in his

overview merce cunningham trust - Jan 08 2023

web the creation of the merce cunningham trust and its programs secures the continuation of cunningham s legacy download the legacy plan digitizing a life s work

merce cunningham merce cunningham the guardian - Aug 03 2022

web jul 27 2009 david vaughan mon 27 jul 2009 15 30 edt merce cunningham who has died aged 90 was one of the greatest choreographers of the 20th century and the greatest american born one as a choreographer