

Wire colours

Blk	Black	Pk	Pink
Br	Brown	Rd	Red
Blu	Blue	Vlt	Violet
Grn	Green	Wh	White
Gr	Grey	Yel	Yellow
Nt	Neutral		

Key to items

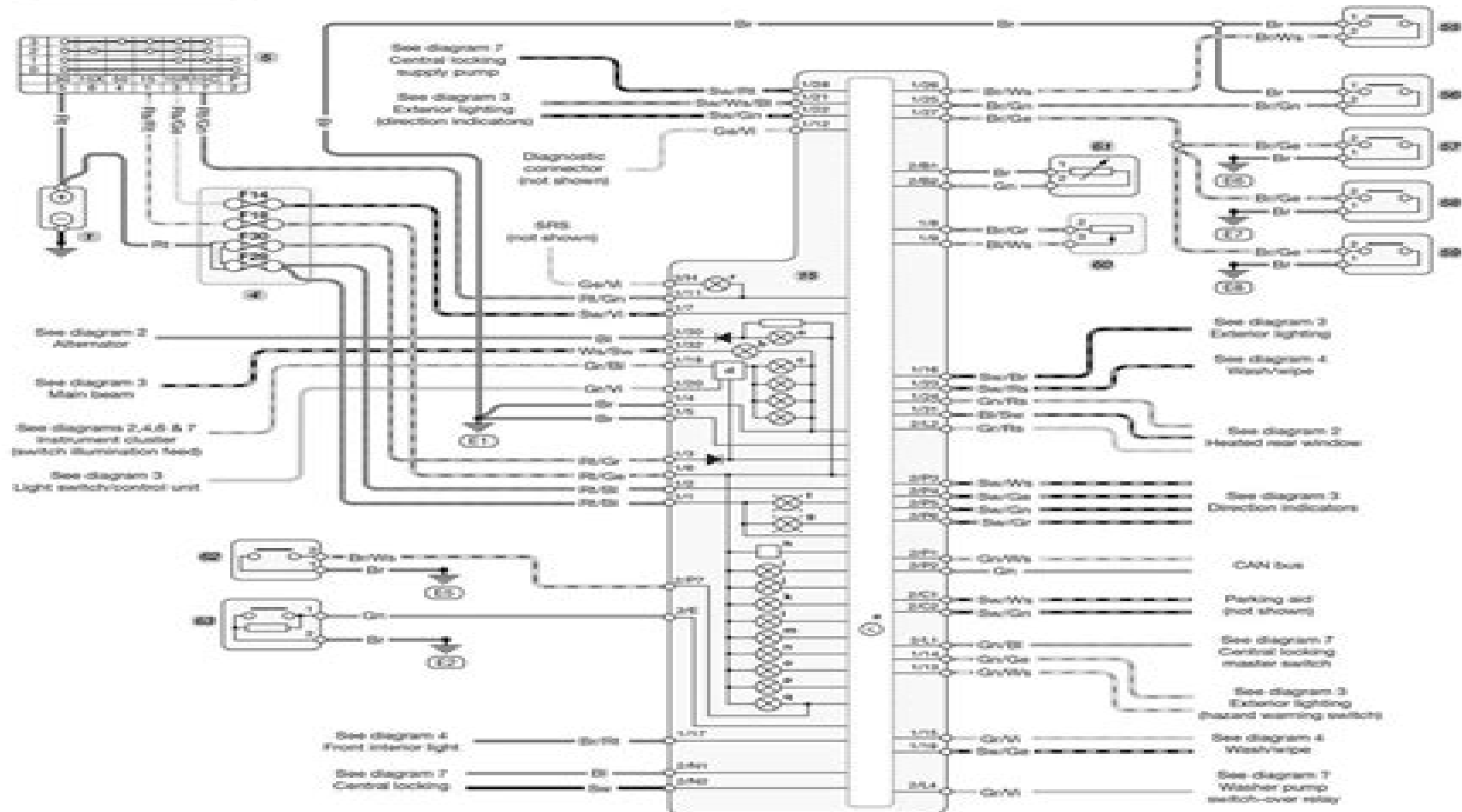
- 1 Battery
- 4 Fusebox
- 5 Ignition switch
- 15 Instrument cluster
- a = alternator warning light
- b = main beam warning light
- c = instrument illumination
- d = illumination rheostat
- e = instrument cluster control unit
- f = LH direction indicator
- g = RH direction indicator
- h = direction indicator warning buzzer
- i = engine management warning light
- j = oil level warning light
- k = low fuel level warning light
- l = pad wear indicator warning light
- m = seatbelt reminder warning light
- n = coolant temp. warning light
- o = ABS warning light
- p = ABS warning light
- q = brake fluid/handbrake warning light
- r = SRS warning light

Diagram 5

- 55 LH front door switch
- 56 RH front door switch
- 57 LH rear door switch
- 58 RH rear door switch
- 59 Luggage compartment light switch
- 60 Fuel gauge sender unit
- 61 Ambient air temp. sensor
- 62 Brake fluid level sensor
- 63 Coolant level sensor

W00763

Instrument cluster



Wiring Mercedes Benz

S Nieto



Wiring Mercedes Benz:

Wiring Mercedes Benz: Bestsellers in 2023 The year 2023 has witnessed a remarkable surge in literary brilliance, with numerous captivating novels captivating the hearts of readers worldwide. Lets delve into the realm of top-selling books, exploring the fascinating narratives that have charmed audiences this year. The Must-Read : Colleen Hoover "It Ends with Us" This poignant tale of love, loss, and resilience has captivated readers with its raw and emotional exploration of domestic abuse. Hoover expertly weaves a story of hope and healing, reminding us that even in the darkest of times, the human spirit can triumph. Wiring Mercedes Benz : Taylor Jenkins Reids "The Seven Husbands of Evelyn Hugo" This intriguing historical fiction novel unravels the life of Evelyn Hugo, a Hollywood icon who defies expectations and societal norms to pursue her dreams. Reids compelling storytelling and compelling characters transport readers to a bygone era, immersing them in a world of glamour, ambition, and self-discovery. Discover the Magic : Delia Owens "Where the Crawdads Sing" This evocative coming-of-age story follows Kya Clark, a young woman who grows up alone in the marshes of North Carolina. Owens crafts a tale of resilience, survival, and the transformative power of nature, captivating readers with its evocative prose and mesmerizing setting. These top-selling novels represent just a fraction of the literary treasures that have emerged in 2023. Whether you seek tales of romance, adventure, or personal growth, the world of literature offers an abundance of compelling stories waiting to be discovered. The novel begins with Richard Papen, a bright but troubled young man, arriving at Hampden College. Richard is immediately drawn to the group of students who call themselves the Classics Club. The club is led by Henry Winter, a brilliant and charismatic young man. Henry is obsessed with Greek mythology and philosophy, and he quickly draws Richard into his world. The other members of the Classics Club are equally as fascinating. Bunny Corcoran is a wealthy and spoiled young man who is always looking for a good time. Charles Tavis is a quiet and reserved young man who is deeply in love with Henry. Camilla Macaulay is a beautiful and intelligent young woman who is drawn to the power and danger of the Classics Club. The students are all deeply in love with Morrow, and they are willing to do anything to please him. Morrow is a complex and mysterious figure, and he seems to be manipulating the students for his own purposes. As the students become more involved with Morrow, they begin to commit increasingly dangerous acts. The Secret History is a brilliant and suspenseful novel that will keep you guessing until the very end. The novel is a warning tale about the dangers of obsession and the power of evil.

https://py.bijouxmedusa.com/results/publication/Documents/business_comparison_united_states_51_1825_online_business_examples.pdf

Table of Contents Wiring Mercedes Benz

1. Understanding the eBook Wiring Mercedes Benz
 - The Rise of Digital Reading Wiring Mercedes Benz
 - Advantages of eBooks Over Traditional Books
2. Identifying Wiring Mercedes Benz
 - Exploring Different Genres
 - Considering Fiction vs. Non-Fiction
 - Determining Your Reading Goals
3. Choosing the Right eBook Platform
 - Popular eBook Platforms
 - Features to Look for in an Wiring Mercedes Benz
 - User-Friendly Interface
4. Exploring eBook Recommendations from Wiring Mercedes Benz
 - Personalized Recommendations
 - Wiring Mercedes Benz User Reviews and Ratings
 - Wiring Mercedes Benz and Bestseller Lists
5. Accessing Wiring Mercedes Benz Free and Paid eBooks
 - Wiring Mercedes Benz Public Domain eBooks
 - Wiring Mercedes Benz eBook Subscription Services
 - Wiring Mercedes Benz Budget-Friendly Options
6. Navigating Wiring Mercedes Benz eBook Formats
 - ePub, PDF, MOBI, and More
 - Wiring Mercedes Benz Compatibility with Devices
 - Wiring Mercedes Benz Enhanced eBook Features
7. Enhancing Your Reading Experience
 - Adjustable Fonts and Text Sizes of Wiring Mercedes Benz
 - Highlighting and Note-Taking Wiring Mercedes Benz
 - Interactive Elements Wiring Mercedes Benz
8. Staying Engaged with Wiring Mercedes Benz

- Joining Online Reading Communities
 - Participating in Virtual Book Clubs
 - Following Authors and Publishers Wiring Mercedes Benz
9. Balancing eBooks and Physical Books Wiring Mercedes Benz
- Benefits of a Digital Library
 - Creating a Diverse Reading Collection Wiring Mercedes Benz
10. Overcoming Reading Challenges
- Dealing with Digital Eye Strain
 - Minimizing Distractions
 - Managing Screen Time
11. Cultivating a Reading Routine Wiring Mercedes Benz
- Setting Reading Goals Wiring Mercedes Benz
 - Carving Out Dedicated Reading Time
12. Sourcing Reliable Information of Wiring Mercedes Benz
- Fact-Checking eBook Content of Wiring Mercedes Benz
 - Distinguishing Credible Sources
13. Promoting Lifelong Learning
- Utilizing eBooks for Skill Development
 - Exploring Educational eBooks
14. Embracing eBook Trends
- Integration of Multimedia Elements
 - Interactive and Gamified eBooks

Wiring Mercedes Benz Introduction

Free PDF Books and Manuals for Download: Unlocking Knowledge at Your Fingertips In today's fast-paced digital age, obtaining valuable knowledge has become easier than ever. Thanks to the internet, a vast array of books and manuals are now available for free download in PDF format. Whether you are a student, professional, or simply an avid reader, this treasure trove of downloadable resources offers a wealth of information, conveniently accessible anytime, anywhere. The advent of online libraries and platforms dedicated to sharing knowledge has revolutionized the way we consume information. No longer confined to physical libraries or bookstores, readers can now access an extensive collection of digital books and

manuals with just a few clicks. These resources, available in PDF, Microsoft Word, and PowerPoint formats, cater to a wide range of interests, including literature, technology, science, history, and much more. One notable platform where you can explore and download free Wiring Mercedes Benz PDF books and manuals is the internet's largest free library. Hosted online, this catalog compiles a vast assortment of documents, making it a veritable goldmine of knowledge. With its easy-to-use website interface and customizable PDF generator, this platform offers a user-friendly experience, allowing individuals to effortlessly navigate and access the information they seek. The availability of free PDF books and manuals on this platform demonstrates its commitment to democratizing education and empowering individuals with the tools needed to succeed in their chosen fields. It allows anyone, regardless of their background or financial limitations, to expand their horizons and gain insights from experts in various disciplines. One of the most significant advantages of downloading PDF books and manuals lies in their portability. Unlike physical copies, digital books can be stored and carried on a single device, such as a tablet or smartphone, saving valuable space and weight. This convenience makes it possible for readers to have their entire library at their fingertips, whether they are commuting, traveling, or simply enjoying a lazy afternoon at home. Additionally, digital files are easily searchable, enabling readers to locate specific information within seconds. With a few keystrokes, users can search for keywords, topics, or phrases, making research and finding relevant information a breeze. This efficiency saves time and effort, streamlining the learning process and allowing individuals to focus on extracting the information they need. Furthermore, the availability of free PDF books and manuals fosters a culture of continuous learning. By removing financial barriers, more people can access educational resources and pursue lifelong learning, contributing to personal growth and professional development. This democratization of knowledge promotes intellectual curiosity and empowers individuals to become lifelong learners, promoting progress and innovation in various fields. It is worth noting that while accessing free Wiring Mercedes Benz PDF books and manuals is convenient and cost-effective, it is vital to respect copyright laws and intellectual property rights. Platforms offering free downloads often operate within legal boundaries, ensuring that the materials they provide are either in the public domain or authorized for distribution. By adhering to copyright laws, users can enjoy the benefits of free access to knowledge while supporting the authors and publishers who make these resources available. In conclusion, the availability of Wiring Mercedes Benz free PDF books and manuals for download has revolutionized the way we access and consume knowledge. With just a few clicks, individuals can explore a vast collection of resources across different disciplines, all free of charge. This accessibility empowers individuals to become lifelong learners, contributing to personal growth, professional development, and the advancement of society as a whole. So why not unlock a world of knowledge today? Start exploring the vast sea of free PDF books and manuals waiting to be discovered right at your fingertips.

FAQs About Wiring Mercedes Benz Books

1. Where can I buy Wiring Mercedes Benz books? Bookstores: Physical bookstores like Barnes & Noble, Waterstones, and independent local stores. Online Retailers: Amazon, Book Depository, and various online bookstores offer a wide range of books in physical and digital formats.
2. What are the different book formats available? Hardcover: Sturdy and durable, usually more expensive. Paperback: Cheaper, lighter, and more portable than hardcovers. E-books: Digital books available for e-readers like Kindle or software like Apple Books, Kindle, and Google Play Books.
3. How do I choose a Wiring Mercedes Benz book to read? Genres: Consider the genre you enjoy (fiction, non-fiction, mystery, sci-fi, etc.). Recommendations: Ask friends, join book clubs, or explore online reviews and recommendations. Author: If you like a particular author, you might enjoy more of their work.
4. How do I take care of Wiring Mercedes Benz books? Storage: Keep them away from direct sunlight and in a dry environment. Handling: Avoid folding pages, use bookmarks, and handle them with clean hands. Cleaning: Gently dust the covers and pages occasionally.
5. Can I borrow books without buying them? Public Libraries: Local libraries offer a wide range of books for borrowing. Book Swaps: Community book exchanges or online platforms where people exchange books.
6. How can I track my reading progress or manage my book collection? Book Tracking Apps: Goodreads, LibraryThing, and Book Catalogue are popular apps for tracking your reading progress and managing book collections. Spreadsheets: You can create your own spreadsheet to track books read, ratings, and other details.
7. What are Wiring Mercedes Benz audiobooks, and where can I find them? Audiobooks: Audio recordings of books, perfect for listening while commuting or multitasking. Platforms: Audible, LibriVox, and Google Play Books offer a wide selection of audiobooks.
8. How do I support authors or the book industry? Buy Books: Purchase books from authors or independent bookstores. Reviews: Leave reviews on platforms like Goodreads or Amazon. Promotion: Share your favorite books on social media or recommend them to friends.
9. Are there book clubs or reading communities I can join? Local Clubs: Check for local book clubs in libraries or community centers. Online Communities: Platforms like Goodreads have virtual book clubs and discussion groups.
10. Can I read Wiring Mercedes Benz books for free? Public Domain Books: Many classic books are available for free as they're in the public domain. Free E-books: Some websites offer free e-books legally, like Project Gutenberg or Open Library.

Find Wiring Mercedes Benz :

business comparison United States 51-1825 online business examples
51-371 digital marketing roadmap for small business 51-485 digital
entrepreneurs 51-1694 blog monetization best practices for small
51-2914 dropshipping business trends for creators 51-1321 dropshipping
productivity hacks review for startups 51-200 productivity hacks roadmap
review United States 51-1602 budget travel review for entrepreneurs
self improvement review United States 51-925 self improvement review for
51-2894 retirement planning tutorial for startups 51-1569 self
healthy recipes tools United States 51-1562 healthy recipes trends
51-483 weight loss software for entrepreneurs 51-2655 weight loss step
coding for beginners case study America 51-2161 coding for beginners
entrepreneurs 51-1878 content marketing case study for small business
hacks guide for creators 51-1852 productivity hacks guide for creators
51-826 healthy recipes strategies for small business 51-2058 healthy
business 51-2371 remote jobs comparison America 51-1548 remote jobs

Wiring Mercedes Benz :

f İstanbul un kapanışını james franco yapıyor haberler - Jul 23 2022

web jan 10 2018 f İstanbul un kapanışını james franco nun the disaster artist i yapacak altın küre ödüllü oyuncunun hem başrolünü hem de yönetmenliğini üstlendiği film festivallerin gözdesi olmanın yanı sıra gerçek bir hikayeyi beyaz perdeye taşıyor

martin 2024 te bastianini nin yerini almasına ducati nin karar - Oct 26 2022

web ancak bagnaia martin ve bastianini nin sözleşmelerinin yanı sıra 2024 yılında yamaha dan katılan franco morbidelli nin sözleşmesinin de doğrudan ducati ile bağlantılı olduğu

franco İspanyası vikipedi - Sep 05 2023

web franco İspanyası İspanyolca españa franquista İspanya da kullanılan adıyla franco diktatörlüğü İspanyolca dictadura franquista resmî adıyla ise İspanyol devleti İspanyolca estado español 1939 yılında sona eren İspanya İç savaşı ndan 1975 yılında francisco franco nun ölümüne kadar geçen dönemde İspanya

francisco franco wikipeđi - Oct 06 2023

web franco abd bařkanı dwight d eisenhower ile birlikte madrid te 1959 franco ynetiminde İspanya 1947 de katolik ve sosyalist bir devlet olarak tanımlanan İspanya yı yeniden bir krallığa dnřtren veraset yasasını kabul ettirdi ve kendisini devletin mr boyu koruyucusu ve kral naibi atadı

francisco franco biography facts death history - Feb 27 2023

web nov 9 2009 francisco franco 1892 1975 ruled spain as a military dictator from 1939 until his death he rose to power during the bloody spanish civil war when his nationalist forces overthrew the

franco exhumation spanish dictator s remains moved bbc news - May 01 2023

web oct 24 2019 thursday s long awaited relocation fulfils a key pledge of the socialist government which said spain should not continue to glorify a fascist who ruled the country for nearly four decades his

franco İspanya sında sinema edebiyat uyarlamaları ve sansr - Nov 26 2022

web franco İspanya sında sinema edebiyat uy franco İspanya sında sinema edebiyat uyarlamaları ve sansr atıf İin kopyala yener gkřenli e 2nd international graduate conference literature and film trkiye 1 04 kasım 2010 ss 20

francisco franco wikipedia - Aug 04 2023

web francisco franco bahamonde spanish fran'tisko 'frańko řa a'monde 4 december 1892 20 november 1975 was a spanish military general who led the nationalist forces in overthrowing the second spanish republic during the spanish civil war and thereafter ruled over spain from 1939 to 1975 as a dictator assuming the title caudillo

francisco franco summary britannica - Jan 29 2023

web francisco franco in full francisco paulino hermenegildo tedulo franco bahamonde born dec 4 1892 el ferrol spain died nov 20 1975 madrid spanish general and head of the government of spain 1939 75 a career army officer he was noted as a skillful leader and became army chief of staff in 1935

francisco franco spanish civil war dictatorship regime - Aug 24 2022

web francisco franco table of contents francisco franco spanish civil war dictatorship regime although franco had visions of restoring spanish grandeur after the civil war in reality he was the leader of an exhausted country still divided internally and impoverished by a long and costly war

francisco franco facts death achievements biography - Dec 28 2022

web apr 2 2014 francisco franco was a career soldier who rose through the ranks until the mid 1930s when the social and economic structure of spain began to crumble franco joined the growing right leaning

gizli franco İspanya sından kaak filmleri İstanbul modern - Mar 31 2023

web katalonya da kaak film reten dađıtan ve gsterim yapan ynetmenler iři hareketinden siyasi partilere franco karřıtı

ilkeleriyle film yapmış film kulüplerinden sosyal ve kültürel derneklere uzanan bir dağıtım ağı kurmayı bile başarmışlardır
Çoğu yönetmenin kimliğini sakladığı bu filmler her ne kadar

francisco franco kimdir biyografi net tr - May 21 2022

web francisco franco kimdir İspanya İç savaşı nda milliyetçi cephe nin önderi olan İspanyol general 1936 1939 yılları arasında gerçekleşen iç savaş sonrasında ülkenin idaresini bırakmamış olan franco ülkeyi 36 yıl boyunca diktatörlükte yönetmiştir lakabı el

francoist spain wikipedia - Mar 19 2022

web francoist spain spanish españa franquista or the francoist dictatorship dictadura franquista was the period of spanish history between 1939 and 1975 when francisco franco ruled spain after the spanish civil war with the title caudillo after his death in 1975 spain transitioned into a democracy during this time period spain was officially known

francisco franco wikipédia - Feb 15 2022

web francisco franco bahamonde 2 f r a n ' θ i s k o ' f r a η k o β a a ' m o n d e 3 né le 4 décembre 1892 à ferrol et mort le 20 novembre 1975 à madrid est un militaire et homme d État espagnol qui instaura en espagne puis dirigea pendant près de 40 ans de 1936 à 1975 un régime dictatorial nommé État espagnol

francisco franco kimdir karar - Jul 03 2023

web feb 24 2021 francisco franco nun anıt mezarı franco nun ÖlÜmÜ 19 temmuz 1974 tarihinde yaşlı franco çeşitli sağlık sorunları yüzünden hastalandı ve juan carlos devlet başkanı vekili olarak görevi devrıldı franco yakında zamanda iyileşti ve 2 eylül de devlet başkanı olarak görevini sürdürdü

franco vikipedi - Jun 21 2022

web jesús franco ve ricardo franco kardeşler İspanyollar José franco larry j franco amerikalı leo franco arjantinli oyuncusu niccolò franco İtalyan yazar tony defranco franco singer diğer daniel franco felipe franco guillermo franco guillermo franco guillermo franco football defender john franco julio franco

james franco en iyi film ve dizileri beyazperde com - Sep 24 2022

web james franco isimli sanatçının en iyi filmlerini keşfedin beyazperde Ör en iyi emma watson filmleri en iyi julia roberts filmleri filmler seanslar haberler fragmanlar tv dizileri james franco isimli sanatçının en iyi filmlerini keşfet

james franco imdb - Apr 19 2022

web james franco actor spring breakers known for his breakthrough starring role on freaks and geeks 1999 james franco was born april 19 1978 in palo alto california to betsy franco a writer artist and actress and douglas eugene doug franco who ran a silicon valley business his mother is jewish and his father was of portuguese and swedish

francisco franco biography nickname beliefs facts - Jun 02 2023

web sep 17 2023 francisco franco general and leader of the nationalist forces that overthrew the spanish democratic republic in the spanish civil war 1936 39 thereafter he was the head of the government of spain until 1973 and head of state until his death in 1975 learn more about franco in this article

[g by karaf İstanbul beşiktaş restoran yorumları tripadvisor](#) - Jan 01 2022

web g by karaf doğrulanmadı yorum kaydet paylaş 14 yorum İstanbul bölgesindeki 9 536 restoran arasında 3 437 sırada deniz mahsülleri türk suada club galatasaray adası İstanbul türkiye 90 212 327 07 07 web sitesi ekleyin Şu anda açık 11 00 öğleden önce 02 00 öğleden önce

[linguistik bandingan historis gorys keraf google books](#) - Apr 16 2023

web title linguistik bandingan historis author gorys keraf publisher gramedia 1984 original from the university of michigan digitized

gorys keraf menjiwai dan meragai bahasa indonesia - Oct 10 2022

web oleh yudhistira 15 desember 2020 identitas jabatan gorys keraf lahir pada 17 november 1936 di nusa tenggara timur dan pergi merantau ke jakarta pada 1964 gorys keraf memperoleh gelar sarjana dari jurusan bahasa indonesia kejuruan linguistik di fakultas sastra universitas indonesia

[yeoryos grivas wikipedi](#) - Feb 02 2022

web georgios grivas yeoryos grivas yunanca Γεώργιος Γρίβας d 23 mayıs 1898 İskele ö 27 ocak 1974 limasol kırıslı yunan asker eoka örgütünün kurucusu ve lideridir teodoros grivas ve kalomira hacimihail çiftinin dördüncü çocuğu olarak dünyaya geldi ailesiyle birlikte trikomo da büyüdü

komposisi by gorys keraf open library - Oct 30 2021

web may 27 2023 overview view 1 edition details reviews lists related books last edited by marc bot may 27 2023 history edit an edition of komposisi 1980 komposisi sebuah pengantar kemahiran bahasa edisi yang diperbaharui cet 6 perobahan by gorys keraf 5 00 2 ratings 36 want to read 2 currently reading 6 have read

diksi dan gaya bahasa komposisi lanjutan gorys keraf opac - Aug 08 2022

web title diksi dan gaya bahasa komposisi lanjutan gorys keraf author keraf gorys 1936 1997 publisher jakarta nusa indah 1981 subject bahasa indonesia

diksi dan gaya bahasa by gorys keraf open library - Sep 09 2022

web may 12 2022 details reviews lists related books last edited by data standar may 12 2022 history edit an edition of diksi dan gaya bahasa 1981 diksi dan gaya bahasa komposisi lanjutan i ed yang diperbaharui by gorys keraf 4 33 6 ratings 73 want to read 5 currently reading 14 have read this edition doesn t have a description yet

figurative language in songs for english learning researchgate - May 05 2022

web jul 31 2022 purpose this study was aimed at identifying the types of figurative language used in songs recently popular among indonesian youth design and methods the data were purposively collected from a

diksi dan gaya bahasa by gorys keraf goodreads - Feb 14 2023

web gorys keraf 11 books35 followers follow gorys keraf lahir di nusa tenggara timur tepatnya di desa lamalera daerah lembata 17 november 1936 laki laki bernama asli gregorius keraf ini merupakan lulusan fakultas sastra universitas indonesia ui jurusan sastra indonesia dengan kejuruan linguistik

gorys keraf badan pengembangan dan pembinaan bahasa - Aug 20 2023

web feb 8 2022 dr gorys keraf lahir di lamera lembata ntt tanggal 17 november 1936 beliau meninggal di usia 61 tahun pada tanggal 30 agustus 1997 beliau adalah seorang ahli bahasa di indonesia dan juga tokoh katolik indonesia beliau menamatkan sekolah menengah pertama di seminari hokeng 1954

komposisi by gorys keraf goodreads - Jan 13 2023

web oct 1 2022 gorys keraf merupakan ahli bahasa kenamaan dari indonesia namanya sangat dikenal dalam kajian linguistik maupun dalam buku buku pelajaran bahasa indonesia beliau memberi kontribusi besar dalam perkembangan ilmu bahasa indonesia

komposisi sebuah pengantar kemahiran bahasa gorys keraf - Jul 07 2022

web komposisi sebuah pengantar kemahiran bahasa gorys keraf judul asli pengarang edisi cet 10 penerbitan ende nusa indah 1994 deskripsi fisik xv 347 hlm

gowers nedir gowers belirtileri nelerdir milliyet Çocuk - Nov 30 2021

web sep 18 2018 gowers nedir gowers belirtileri nelerdir erken yaşta bile kendini belli eden gowers hastalığının meydana gelme sebepleri nelerdir merakla araştırılan gowers hastalığı hakkında merak

diksi dan gaya bahasa gorys keraf dr google books - May 17 2023

web gorys keraf snippet view 1984 diksi dan gaya bahasa komposisi lanjutan i gorys keraf no preview available 1981 common terms and phrases abad agar aliran anjing arti artinya asing bagian barang bawah bentuk berarti berbicara berdasarkan berikut bersifat biasa biasanya bidang bila binatang boleh buku cara contoh dasar dianggap digunakan

diksi dan gaya bahasa komposisi lanjutan i gorys keraf - Sep 28 2021

web gorys keraf snippet view 1991 diksi dan gaya bahasa komposisi lanjutan i gorys keraf snippet view 1984 bibliographic information title diksi dan gaya bahasa komposisi lanjutan i volume 1 of seri retorika author gorys keraf publisher nusa indah 1981 original from the university of california digitized sep 5 2008

gorys keraf wikipedia bahasa indonesia ensiklopedia bebas - Sep 21 2023

web dr gorys keraf 17 november 1936 30 agustus 1997 adalah seorang ahli bahasa ternama indonesia dan salah seorang

dosen universitas indonesia biografi menamatkan smp di seminari hokeng 1954 sma syuradikara di ende 1958 tamat fakultas sastra universitas indonesia jurusan sastra indonesia kejuruan linguistik 1964

gorys keraf author of diksi dan gaya bahasa goodreads - Jul 19 2023

web aug 30 1997 gorys keraf author of diksi dan gaya bahasa discover new books on goodreads see if your friends have read any of gorys keraf s books join goodreads gorys keraf s followers 35 born in lembata indonesia november 17 1936 died august 30 1997 genre nonfiction history young adult edit data

tatabahasa indonesia gorys keraf opac perpustakaan - Nov 11 2022

web tatabahasa indonesia gorys keraf opac perpustakaan nasional ri cite this tampung eksemplar konten digital marc unduh katalog karya terkait kitaabut tashrif jilid braille 1 disusun hasan ibnu ahmad thuruq tadriss al sughat al arabiyah penulis anwar abd rahman s ag m pd

argumentasi dan narasi gorys keraf google books - Jun 18 2023

web bibliographic information title argumentasi dan narasi volume 3 of komposisi lanjutan gorys keraf author gorys keraf

gorys keraf ahli bahasa indonesia ejaan id - Apr 04 2022

web kamis 13 april 2023 20 53 wib gorys keraf foto yori leo saputra ejaan id prof dr gregonorius keraf dikenal dengan nama punggung gorys keraf beliau lahir di lamatera lembata nusa tenggara timur ntt pada 17 november 1936 dan meninggal di jakarta 30 agustus 1997 dalam usia 61 tahun beliau adalah salah seorang ahli bahasa

figurative language style and figure of speech meaning in - Jun 06 2022

web feb 19 2019 gorys keraf 1999 113 states that a good language style may contain three elements as follow 1 honesty 2 politeness and 3 attractiveness the figurative language style develops from the analogy and contends

bukti sejarah teori nusantara benarkah mampu tepis - Mar 03 2022

web oct 20 2023 sejarah singkat lahirnya bahasa indonesia sesuai dengan teori nusantara bangsa indonesia sebelumnya tidak mengalami proses migrasi dari wilayah lain teori ini juga didasarkan oleh para pakar lainnya seperti gorys keraf j crawford sutan takdir alisjahbana dan muhammad yamin landasan utama teori nusantara didasarkan pada

eksposisi dan deskripsi by gorys keraf goodreads - Dec 12 2022

web gorys keraf 11 books 35 followers gorys keraf lahir di nusa tenggara timur tepatnya di desa lamalera daerah lembata 17 november 1936 laki laki bernama asli gregorius keraf ini merupakan lulusan fakultas sastra universitas indonesia ui jurusan sastra indonesia dengan kejuruan linguistik

argumentasi dan narasi by gorys keraf goodreads - Mar 15 2023

web jan 1 2008 gorys keraf merupakan ahli bahasa kenamaan dari indonesia namanya sangat dikenal dalam kajian linguistik maupun dalam buku buku pelajaran bahasa indonesia beliau memberi kontribusi besar dalam perkembangan ilmu bahasa

indonesia

summitt s fundamentals of operative dentistry a contemporary approach - Apr 21 2022

web summitt s fundamentals of operative dentistry a contemporary approach fourth edition by thomas j hilton jack l ferracane james broome isbn 10 0867155280 isbn 13 9780867155280 quintessence pub co 2013 hardcover

fundamentals of operative dentistry a contemporary approach - Dec 30 2022

web fundamentals of operative dentistry a contemporary approach william w johnson dds ms associate professor adult restorative dentistry university of nebraska medical center college of dentistry lincoln ne search for more papers by this author william w johnson dds ms

fundamentals of operative dentistry a contemporary approach - Oct 28 2022

web fundamentals of operative dentistry a contemporary approach google books this revised textbook combines time proven methods with scientific developments in preventive and and restorative

summitt s fundamentals of operative dentistry a contemporary approach - Jul 25 2022

web over the past two decades the fundamentals of operative dentistry has become one of the most trusted textbooks on clinical restorative dentistry by integrating time tested methods with recent scientific innovation the authors promote sound concepts for predictable conservative techniques

fundamentals of operative dentistry a contemporary approach - Mar 01 2023

web over the past two decades the fundamentals of operative dentistry has become one of the most trusted textbooks on clinical restorative dentistry by integrating time tested methods with recent scientific innovation the authors promote sound concepts for predictable conservative techniques

fundamentals of operative dentistry a contemporary approach - Jun 23 2022

web jan 15 2001 summitt s fundamentals of operative dentistry a contemporary approach fourth edition 128 00 only 12 left in stock more on the way univ of texas san antonio textbook for students provides a scientific basis for the concepts described reflects a commitment to conservative dentistry and is broader and more in depth than

fundamentals of operative dentistry a contemporary approach - Jul 05 2023

web jan 1 2006 summitt s fundamentals of operative dentistry a contemporary approach fourth edition 128 00 25 only 10 left in stock more on the way this text blends traditional proven methods and recent scientific developments such as adhesive technologies and resin composites

fundamentals of operative dentistry quintessence publishing - Aug 06 2023

web over the past two decades the fundamentals of operative dentistry has become one of the most trusted textbooks on clinical restorative dentistry by integrating time tested methods with recent scientific innovation the authors promote sound

concepts for predictable conservative techniques

fundamentals of operative dentistry a contemporary approach - Aug 26 2022

web sep 1 1996 inproceedings schwartz1996fundamentalsoo title fundamentals of operative dentistry a contemporary approach author r s schwartz and james b summitt and j william robbins year 1996 url api semanticscholar org corpusid 155350570

fundamentals of operative dentistry a contemporary approach - May 03 2023

web fundamentals of operative dentistry a contemporary approach authors richard s schwartz james b summitt j william robbins editors richard s schwartz james b summitt j william robbins

fundamentals of operative dentistry british dental journal nature - Jun 04 2023

web aug 12 2006 this book is intended to be an in depth reference work on contemporary practical operative dentistry and as such has much to commend it the authors aim to present a mix of traditional time

summitt s fundamentals of operative dentistry a contemporary approach - Sep 26 2022

web may 1 2013 over the past two decades the fundamentals of operative dentistry has become one of the most trusted textbooks on clinical restorative dentistry by integrating time tested methods with recent scientific innovation the authors promote sound concepts for predictable conservative techniques

summitt s fundamentals of operative dentistry a contemporary approach - Jan 31 2023

web summitt s fundamentals of operative dentistry a contemporary approach responsibility edited by thomas j hilton jack l ferracane james c broome illustrations by josé dos santos jr uniform title fundamentals of operative dentistry digital text file pdf edition fourth edition publication

summitt s fundamentals of operative dentistry a contemporary approach - May 23 2022

web preceded by fundamentals of operative dentistry edited by james b summitt et al 3rd ed c2006

summitt s fundamentals of operative dentistry a contemporary approach - Nov 28 2022

web oct 15 2013 summitt s fundamentals of operative dentistry a contemporary approach fourth edition 9780867155280 medicine health science books amazon com

fundamentals of operative dentistry a contemporary approach - Apr 02 2023

web fundamentals of operative dentistry a contemporary approach fundamentals of operative dentistry james b summitt quintessence pub 2006 dental caries 599 pages focusing on the

fundamentals of operative dentistry a contemporary approach - Oct 08 2023

web fundamentals of operative dentistry a contemporary approach free download borrow and streaming internet archive fundamentals of operative dentistry a contemporary approach publication date 2006 topics

fundamentals of operative dentistry a contemporary approach - Mar 21 2022

web distinguished by the authors strong commitment to conservative dentistry this revised textbook combines proven methods with the latest scientific developments in preventive and restorative dentistry

fundamentals of operative dentistry a contemporary approach - Feb 17 2022

web sep 1 2002 fundamentals of operative dentistry a contemporary approach semantic scholar doi 10 1111 j 1532 849x 2002 223 2 x corpus id 137306126 fundamentals of operative dentistry a contemporary approach w w johnson published 1 september 2002 medicine journal of prosthodontics view via publisher

summitt s fundamentals of operative dentistry google books - Sep 07 2023

web over the past two decades the fundamentals of operative dentistry has become one of the most trusted textbooks on clinical restorative dentistry by integrating time tested methods with