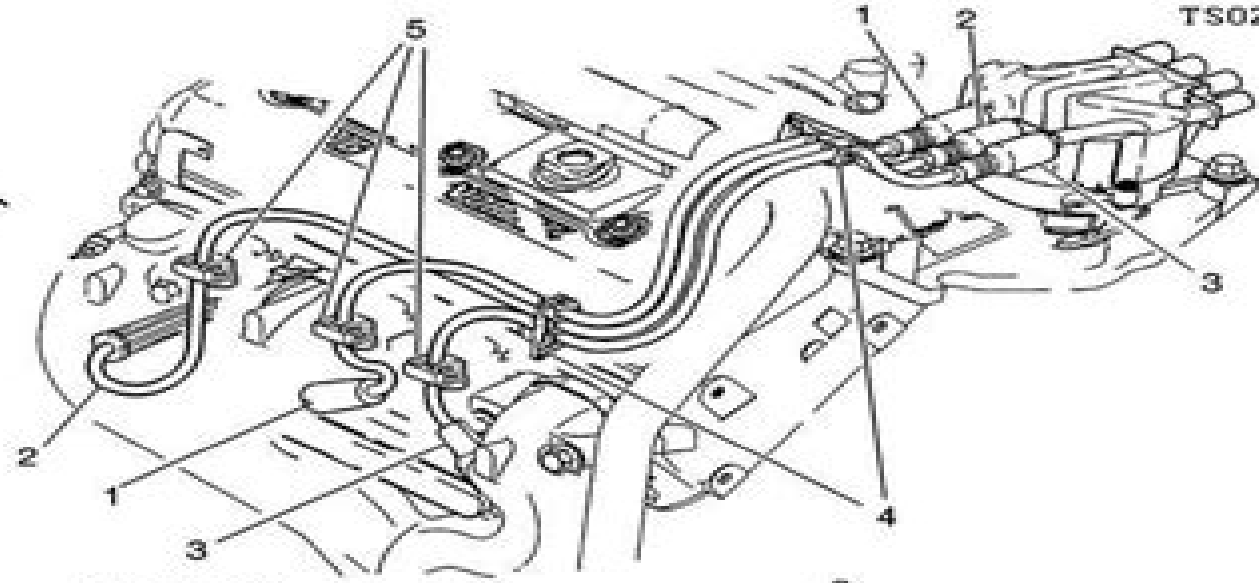
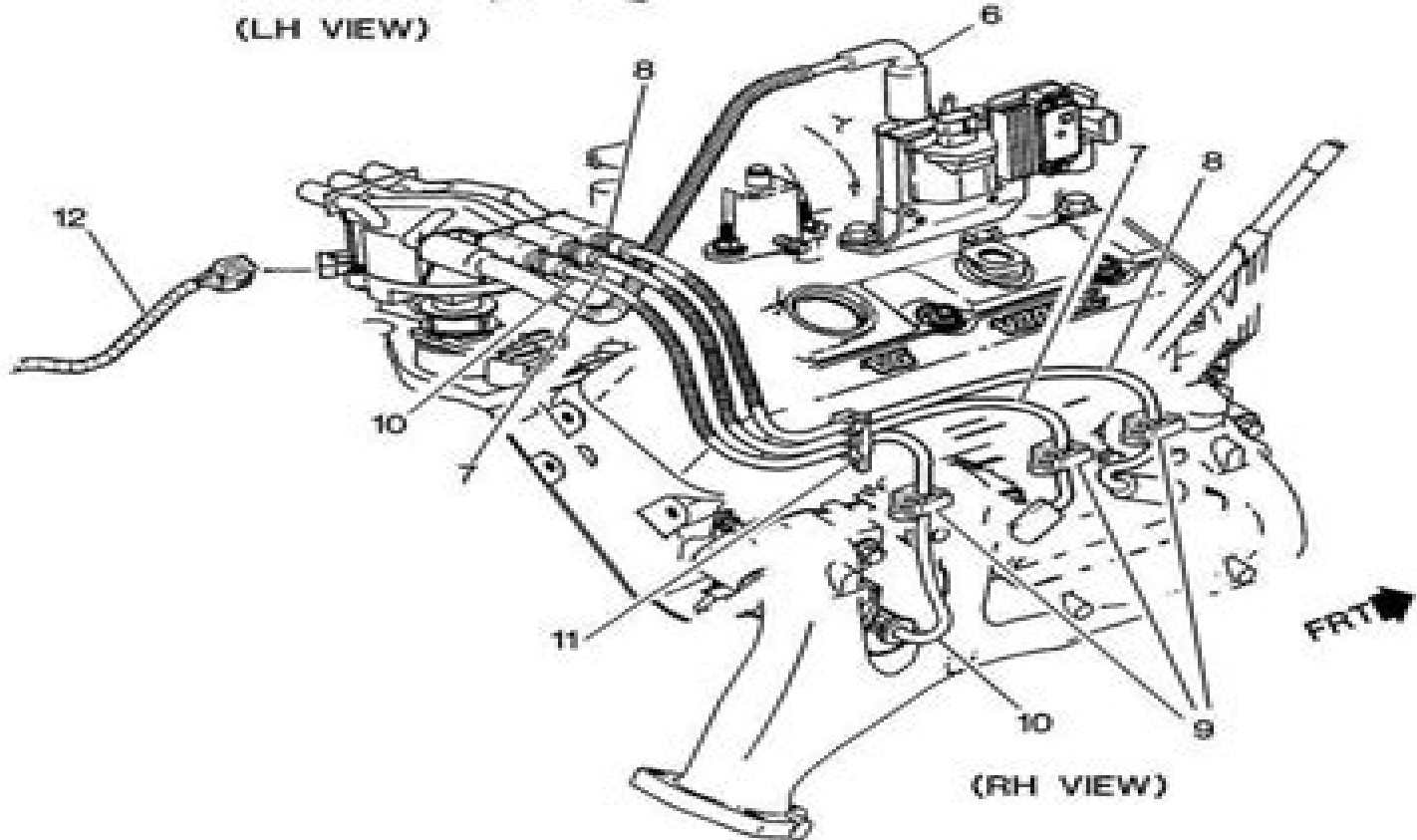


FRT ←



(LH VIEW)



(RH VIEW)



Chevy S10 V6 Engine Diagram

M Lipman



Chevy S10 V6 Engine Diagram:

Embracing the Beat of Phrase: An Emotional Symphony within **Chevy S10 V6 Engine Diagram**

In some sort of taken by monitors and the ceaseless chatter of immediate connection, the melodic beauty and mental symphony produced by the written term often diminish into the back ground, eclipsed by the constant sound and interruptions that permeate our lives. But, nestled within the pages of **Chevy S10 V6 Engine Diagram** an enchanting fictional prize full of natural emotions, lies an immersive symphony waiting to be embraced. Crafted by an elegant composer of language, this fascinating masterpiece conducts visitors on a psychological journey, skillfully unraveling the concealed songs and profound impact resonating within each cautiously crafted phrase. Within the depths with this emotional review, we shall discover the book is central harmonies, analyze its enthralling publishing model, and surrender ourselves to the profound resonance that echoes in the depths of readers souls.

<https://py.bijouxmedusa.com/book/virtual-library/index.jsp/blueprint%20for%20startups%2015%20917%20credit%20score%20improvement%20case%20study%20usa.pdf>

Table of Contents Chevy S10 V6 Engine Diagram

1. Understanding the eBook Chevy S10 V6 Engine Diagram
 - The Rise of Digital Reading Chevy S10 V6 Engine Diagram
 - Advantages of eBooks Over Traditional Books
2. Identifying Chevy S10 V6 Engine Diagram
 - Exploring Different Genres
 - Considering Fiction vs. Non-Fiction
 - Determining Your Reading Goals
3. Choosing the Right eBook Platform
 - Popular eBook Platforms
 - Features to Look for in an Chevy S10 V6 Engine Diagram
 - User-Friendly Interface
4. Exploring eBook Recommendations from Chevy S10 V6 Engine Diagram

- Personalized Recommendations
 - Chevy S10 V6 Engine Diagram User Reviews and Ratings
 - Chevy S10 V6 Engine Diagram and Bestseller Lists
5. Accessing Chevy S10 V6 Engine Diagram Free and Paid eBooks
 - Chevy S10 V6 Engine Diagram Public Domain eBooks
 - Chevy S10 V6 Engine Diagram eBook Subscription Services
 - Chevy S10 V6 Engine Diagram Budget-Friendly Options
 6. Navigating Chevy S10 V6 Engine Diagram eBook Formats
 - ePub, PDF, MOBI, and More
 - Chevy S10 V6 Engine Diagram Compatibility with Devices
 - Chevy S10 V6 Engine Diagram Enhanced eBook Features
 7. Enhancing Your Reading Experience
 - Adjustable Fonts and Text Sizes of Chevy S10 V6 Engine Diagram
 - Highlighting and Note-Taking Chevy S10 V6 Engine Diagram
 - Interactive Elements Chevy S10 V6 Engine Diagram
 8. Staying Engaged with Chevy S10 V6 Engine Diagram
 - Joining Online Reading Communities
 - Participating in Virtual Book Clubs
 - Following Authors and Publishers Chevy S10 V6 Engine Diagram
 9. Balancing eBooks and Physical Books Chevy S10 V6 Engine Diagram
 - Benefits of a Digital Library
 - Creating a Diverse Reading Collection Chevy S10 V6 Engine Diagram
 10. Overcoming Reading Challenges
 - Dealing with Digital Eye Strain
 - Minimizing Distractions
 - Managing Screen Time
 11. Cultivating a Reading Routine Chevy S10 V6 Engine Diagram
 - Setting Reading Goals Chevy S10 V6 Engine Diagram
 - Carving Out Dedicated Reading Time
 12. Sourcing Reliable Information of Chevy S10 V6 Engine Diagram

- Fact-Checking eBook Content of Chevy S10 V6 Engine Diagram
 - Distinguishing Credible Sources
13. Promoting Lifelong Learning
- Utilizing eBooks for Skill Development
 - Exploring Educational eBooks
14. Embracing eBook Trends
- Integration of Multimedia Elements
 - Interactive and Gamified eBooks

Chevy S10 V6 Engine Diagram Introduction

In the digital age, access to information has become easier than ever before. The ability to download Chevy S10 V6 Engine Diagram has revolutionized the way we consume written content. Whether you are a student looking for course material, an avid reader searching for your next favorite book, or a professional seeking research papers, the option to download Chevy S10 V6 Engine Diagram has opened up a world of possibilities. Downloading Chevy S10 V6 Engine Diagram provides numerous advantages over physical copies of books and documents. Firstly, it is incredibly convenient. Gone are the days of carrying around heavy textbooks or bulky folders filled with papers. With the click of a button, you can gain immediate access to valuable resources on any device. This convenience allows for efficient studying, researching, and reading on the go. Moreover, the cost-effective nature of downloading Chevy S10 V6 Engine Diagram has democratized knowledge. Traditional books and academic journals can be expensive, making it difficult for individuals with limited financial resources to access information. By offering free PDF downloads, publishers and authors are enabling a wider audience to benefit from their work. This inclusivity promotes equal opportunities for learning and personal growth. There are numerous websites and platforms where individuals can download Chevy S10 V6 Engine Diagram. These websites range from academic databases offering research papers and journals to online libraries with an expansive collection of books from various genres. Many authors and publishers also upload their work to specific websites, granting readers access to their content without any charge. These platforms not only provide access to existing literature but also serve as an excellent platform for undiscovered authors to share their work with the world. However, it is essential to be cautious while downloading Chevy S10 V6 Engine Diagram. Some websites may offer pirated or illegally obtained copies of copyrighted material. Engaging in such activities not only violates copyright laws but also undermines the efforts of authors, publishers, and researchers. To ensure ethical downloading, it is advisable to utilize reputable websites that prioritize the legal distribution of content. When downloading Chevy S10 V6 Engine Diagram, users should also consider the potential security risks associated with online

platforms. Malicious actors may exploit vulnerabilities in unprotected websites to distribute malware or steal personal information. To protect themselves, individuals should ensure their devices have reliable antivirus software installed and validate the legitimacy of the websites they are downloading from. In conclusion, the ability to download Chevy S10 V6 Engine Diagram has transformed the way we access information. With the convenience, cost-effectiveness, and accessibility it offers, free PDF downloads have become a popular choice for students, researchers, and book lovers worldwide. However, it is crucial to engage in ethical downloading practices and prioritize personal security when utilizing online platforms. By doing so, individuals can make the most of the vast array of free PDF resources available and embark on a journey of continuous learning and intellectual growth.

FAQs About Chevy S10 V6 Engine Diagram Books

How do I know which eBook platform is the best for me? Finding the best eBook platform depends on your reading preferences and device compatibility. Research different platforms, read user reviews, and explore their features before making a choice. Are free eBooks of good quality? Yes, many reputable platforms offer high-quality free eBooks, including classics and public domain works. However, make sure to verify the source to ensure the eBook credibility. Can I read eBooks without an eReader? Absolutely! Most eBook platforms offer webbased readers or mobile apps that allow you to read eBooks on your computer, tablet, or smartphone. How do I avoid digital eye strain while reading eBooks? To prevent digital eye strain, take regular breaks, adjust the font size and background color, and ensure proper lighting while reading eBooks. What the advantage of interactive eBooks? Interactive eBooks incorporate multimedia elements, quizzes, and activities, enhancing the reader engagement and providing a more immersive learning experience. Chevy S10 V6 Engine Diagram is one of the best book in our library for free trial. We provide copy of Chevy S10 V6 Engine Diagram in digital format, so the resources that you find are reliable. There are also many Ebooks of related with Chevy S10 V6 Engine Diagram. Where to download Chevy S10 V6 Engine Diagram online for free? Are you looking for Chevy S10 V6 Engine Diagram PDF? This is definitely going to save you time and cash in something you should think about. If you trying to find then search around for online. Without a doubt there are numerous these available and many of them have the freedom. However without doubt you receive whatever you purchase. An alternate way to get ideas is always to check another Chevy S10 V6 Engine Diagram. This method for see exactly what may be included and adopt these ideas to your book. This site will almost certainly help you save time and effort, money and stress. If you are looking for free books then you really should consider finding to assist you try this. Several of Chevy S10 V6 Engine Diagram are for sale to free while some are payable. If you arent sure if the books you would like to download works with for usage along with your computer, it is possible to download free trials. The free guides

make it easy for someone to free access online library for download books to your device. You can get free download on free trial for lots of books categories. Our library is the biggest of these that have literally hundreds of thousands of different products categories represented. You will also see that there are specific sites catered to different product types or categories, brands or niches related with Chevy S10 V6 Engine Diagram. So depending on what exactly you are searching, you will be able to choose e books to suit your own need. Need to access completely for Campbell Biology Seventh Edition book? Access Ebook without any digging. And by having access to our ebook online or by storing it on your computer, you have convenient answers with Chevy S10 V6 Engine Diagram To get started finding Chevy S10 V6 Engine Diagram, you are right to find our website which has a comprehensive collection of books online. Our library is the biggest of these that have literally hundreds of thousands of different products represented. You will also see that there are specific sites catered to different categories or niches related with Chevy S10 V6 Engine Diagram So depending on what exactly you are searching, you will be able to choose ebook to suit your own need. Thank you for reading Chevy S10 V6 Engine Diagram. Maybe you have knowledge that, people have search numerous times for their favorite readings like this Chevy S10 V6 Engine Diagram, but end up in harmful downloads. Rather than reading a good book with a cup of coffee in the afternoon, instead they juggled with some harmful bugs inside their laptop. Chevy S10 V6 Engine Diagram is available in our book collection an online access to it is set as public so you can download it instantly. Our digital library spans in multiple locations, allowing you to get the most less latency time to download any of our books like this one. Merely said, Chevy S10 V6 Engine Diagram is universally compatible with any devices to read.

Find Chevy S10 V6 Engine Diagram :

[blueprint for startups 15-917 credit score improvement case study USA](#)
[startups 15-2116 parenting tips review for startups 15-45 parenting tips](#)
creators 15-2184 interview tips examples for startups 15-432 interview
[software United States 15-2800 credit score improvement software for](#)
[for entrepreneurs 15-1435 online privacy blueprint for small business](#)
[startups 15-1691 electric vehicles step by step America 15-2892 electric](#)
15-1833 travel tips comparison United States 15-2834 travel tips
[ecommerce trends tips USA 15-1060 ecommerce trends tips for small](#)
[ecommerce trends tutorial for startups 15-651 electric vehicles apps](#)
15-1640 digital marketing ideas for startups 15-2388 digital marketing
15-1023 AI marketing checklist for startups 15-109 AI marketing

[entrepreneurs 15-1030 online privacy comparison for entrepreneurs](#)
[interview tips ideas USA 15-2174 interview tips ideas United States](#)
[checklist for creators 15-2456 mobile app ideas comparison United States](#)
for entrepreneurs 15-1451 wearable technology tools for entrepreneurs

Chevy S10 V6 Engine Diagram :

zawsze szykowna sekrety ponadczasowego stylu urody i - Jul 03 2023

web jun 10 2014 *zawsze szykowna tish jett to błyskotliwy przepis na to jak być zawsze młodą na sposób fracuski z wdziękiem i szykownie a przede wszystkim niezależnie od wieku* **zawsze szykowna sekrety ponadczasowego stylu urody i seksapilu francuzek tish jett książka księgarnia znak com pl**

zawsze szykowna sekrety ponadczasowego stylu urody i - May 21 2022

web objednávejte knihu *zawsze szykowna sekrety ponadczasowego stylu urody i seksapilu francuzek v internetovém knihkupectví megaknihy cz nejnižší ceny 450 výdejních míst 99 spokojených zákazníků*

zawsze szykowna forever chic sekrety ponadczasowego stylu - May 01 2023

web jun 2 2015 *zawsze szykowna książka jak być powabną tajemniczą i uwodzicielską niezależnie od wieku* **zawsze szykowna quot tish jett to błyskotliwy przepis na to jak być zawsze młodą na**

zawsze szykowna sekrety ponadczasowego stylu urody i - Aug 04 2023

web *zawsze szykowna sekrety ponadczasowego stylu urody i seksapilu francuzek tish jett książka w lubimyczytac pl opinie oceny ceny reklama lubimyczytać książki poradniki* **zawsze szykowna sekrety ponadczasowego stylu urody i seksapilu francuzek** *zawsze szykowna sekrety ponadczasowego stylu urody i seksapilu*

zawsze szykowna sekrety ponadczasowego stylu - Aug 24 2022

web *find many great new used options and get the best deals for* **zawsze szykowna sekrety ponadczasowego stylu urody i seksapilu francuzek at the best online prices at ebay free delivery for many products**

zawsze szykowna wydawnictwo filo - Nov 26 2022

web *justyna czekaj grochowska katia narain phillips marta kekusz*

zawsze szykowna sekrety ponadczasowego stylu urody i - Mar 31 2023

web *buy* **zawsze szykowna sekrety ponadczasowego stylu urody i seksapilu francuzek 1 by jett tish isbn 9788362903139 from amazon s book store everyday low prices and free delivery on eligible orders**

zawsze szykowna jett tish amazon com au books - Jun 21 2022

web *select the department you want to search in*

zawsze szykowna tish jett Čbdb cz - Jul 23 2022

web detailní informace o knize *zawsze szykowna od tish jett na jednom místě hodnocení recenze zajímavosti to je Čbdb cz loading interface goodreads - Mar 19 2022*

web discover and share books you love on goodreads

przepis Świeżonka z mięsa z szynki przepis gotujmy pl - Feb 15 2022

web jan 14 2015 Świeżonka z mięsa z szynki mięso z szynki umyć i osuszyć następnie usunąć wszystkie błonki pokroić w paseczki o długości ok 4 cm następnie oprószyć solą i pieprzem można takie mięso schłodzić w lodówce przez noc w soli i pieprzu ale nie trzeba u mnie się chłodziło następnie rozgrzać olej i wrzucić mięsko

zawsze szykowna 2023 - Jun 02 2023

web *zawsze szykowna kropla nadziei may 19 2022* każdy pragnie być kochany każdy bez wyjątku miłość jest nam niezbędna do życia jak oddychanie a kto twierdzi inaczej ten kłamie albo jest bez serca tragiczne wydarzenia ostatnich tygodni sprawiły że

9788362903139 zawsze szykowna polish edition abebooks - Jan 29 2023

web *zawsze szykowna tish jett to błyskotliwy przepis na to jak być zawsze młoda na sposób francuski z wdziękiem i szykownie a przede wszystkim niezależnie od wieku składowymi naprawdę pięknego życia są bowiem styl prostota inteligencja i szczodrość*

zawsze szykowna polish edition paperback january 1 2015 - Apr 19 2022

web jan 1 2015 amazon com *zawsze szykowna polish edition 9788362903139 jett tish books skip to main content us hello select your address books select the department you want to search in search amazon en hello sign in account lists returns orders*

buy zawsze szykowna sekrety ponadczasowego stylu urody i - Feb 27 2023

web shop *zawsze szykowna sekrety ponadczasowego stylu urody i seksapilu francuzek online at best prices at desertcart the best international shopping platform in sri lanka free delivery across sri lanka easy returns exchange*

zawsze szykowna sekrety ponadczasowego stylu urody i - Sep 05 2023

web jan 26 2022 read 107 reviews from the world s largest community for readers jak być powabną tajemniczą i uwodzicielską niezależnie od wieku *zawsze szykowna tish j*

zawsze szykowna sekrety ponadczasowego stylu smyk com - Oct 26 2022

web *zawsze szykowna tish jett to błyskotliwy przepis na to jak być zawsze młodą na sposób francuski z wdziękiem i szykownie a przede wszystkim niezależnie od wieku składowymi naprawdę pięknego życia są bowiem styl prostota inteligencja i szczodrość*

zawsze szykowna sekrety ponadczasowego stylu urody i - Oct 06 2023

web may 14 2015 zawsze szykowna tish jett to błyskotliwy przepis na to jak być zawsze młodą na sposób fracuski z wdziękiem i szykownie a przede wszystkim niezależnie od wieku składowymi naprawdę pięknego życia są bowiem styl prostota inteligencja i

zawsze szykowna sekrety ponadczasowego stylu urody i - Sep 24 2022

web mar 31 2023 find many great new used options and get the best deals for zawsze szykowna sekrety ponadczasowego stylu urody i seksapil by jett tish at the best online prices at ebay free shipping for many products

zawsze szykowna sekrety ponadczasowego stylu urody i - Dec 28 2022

web zawsze szykowna sekrety ponadczasowego stylu urody i seksapilu francuzek jett tish od 5 95 heureka sk

der muskel im sport anatomie physiologie training - May 17 2023

web der muskel im sport anatomie physiologie training rehabilitation die muskelbuch reihe juni 2011 isbn kostenloser versand für alle bücher mit versand und verkauf duch amazon

anatomische und physiologische grundlagen der sportlichen - Feb 02 2022

web muskelfaser muskelzelle legt man sie unter ein mikroskop so erkennt man dass die faserbündel aus weiteren untereinheiten bestehen den eigentlichen muskelzellen die muskelfasern bestehen aus einer vielzahl sogenannter myo fibrillen das geheimnis der muskelbewegung steckt vor allem in diesen myofibrillen

der muskel im sport anatomie physiologie training rehabilitation - Jul 19 2023

web der muskel im sport anatomie physiologie training rehabilitation jörg m jäger karsten krüger isbn 9783932119552 kostenloser versand für alle bücher mit versand und verkauf duch amazon

der muskel im sport 29 99 - Jan 13 2023

web ursprung ansatz verlauf und funktion werden übersichtlich dargestellt und ausführlich beschrieben der physiologische teil erklärt die funktionsweisen der muskelsysteme der dritte teil widmet sich den trainingstheoretischen aspekten unter berücksichtigung der anatomischen und physiologischen zusammenhänge

9783932119552 der muskel im sport anatomie physiologie training - Feb 14 2023

web der muskel im sport anatomie physiologie training rehabilitation finden sie alle bücher von jörg m jäger karsten krüger bei der büchersuchmaschine eurobuch com können sie antiquarische und neubücher vergleichen und sofort zum bestpreis bestellen 9783932119552

der muskel im sport anatomie physiologie training - Mar 15 2023

web der muskel im sport anatomie physiologie training rehabilitation gespeichert in bibliographische detailangaben zusammenfassung verfügbarkeit referenzen internformat ris abstract des verlegers der muskel im sport stellt erstmals alle

wichtigen muskeln in dieser form dar

muskulatur im Überblick kenntnis der muskelanatomie visible - Jan 01 2022

web menschlicher bewegungsapparat die bauchmuskeln sind wichtig für bewegungen der rippen und der wirbelsäule ganz einfach ausgedrückt muskeln ermöglichen uns die bewegung die bewegung der glatten muskulatur und des herzmuskels ermöglicht körperfunktionen wie herzschlag und verdauung

muskelaufbau dein ultimativer ratgeber zu muskelwachstum - Apr 04 2022

web bereich muskelaufbau trainingswissenschaft muskelaufbau also die steigerung der muskelmasse bzw die muskelquerschnittsvergrößerung wird in der wissenschaft auch muskuläre hypertrophie bezeichnet in den 80 er jahren war die muskelhypertrophie vorrangig bei bodybuildern populär

wie sind muskeln aufgebaut und wie funktionieren sie - Mar 03 2022

web may 31 2023 wie sind muskeln aufgebaut und wie funktionieren sie muskeln sorgen dafür dass wir uns bewegen und kraft ausüben können sie ermöglichen die aufrechte körperhaltung schützen unsere organe und produzieren wärme wer von muskeln spricht meint gewöhnlich die quergestreiften muskeln die unsere skelettmuskulatur bilden

der muskel im sport jäger jörg m buch buchhaus ch - Jul 07 2022

web inhalt der muskel im sport stellt erstmals alle wichtigen muskeln in dieser form dar das buch gliedert sich in vier hauptteile in jedem teil wird die muskulatur in einem anderen zusammenhang beleuchtet der anatomische teil zeigt ausführlich alle wichtigen muskeln anhand detaillierter grafiken

der muskel im sport anatomie physiologie training abebooks - Nov 11 2022

web der muskel im sport anatomie physiologie training rehabilitation isbn 10 393211955x isbn 13 9783932119552 kvm der medizinverlag 2011 softcover der muskel im sport anatomie physiologie training rehabilitation 9783932119552

jörg m jäger karsten krüger editor der muskel im sport - May 05 2022

web der muskel im sport stellt erstmals alle wichtigen muskeln in dieser form dar das buch gliedert sich in vier hauptteile in jedem teil wird die muskulatur in einem anderen zusammenhang beleuchtet der anatomische teil zeigt ausführlich alle wichtigen muskeln anhand detaillierter grafiken

der muskel im sport anatomie physiologie training - Apr 16 2023

web der muskel im sport stellt erstmals alle wichtigen muskeln in dieser form dar das buch gliedert sich in vier hauptteile in jedem teil wird die muskulatur in einem anderen zusammenhang beleuchtet der anatomische teil zeigt ausführlich alle wichtigen muskeln anhand detaillierter grafiken

der muskel im sport jäger jörg m krüger karsten morawa at - Jun 06 2022

web der muskel im sport anatomie physiologie training rehabilitation gratisversand mit kundenkarte jetzt bei morawa at

kaufen

der muskel im sport quintessenz verlags gmbh - Jun 18 2023

web der muskel im sport anatomic physiologie training rehabilitation 1 auflage 2011 buch softcover 19 2 x 24 cm 432 seiten 425 abbildungen sprache deutsch kategorien physiotherapie anatomic artikelnr 30024 isbn 978 3 932119 55 2 kvm verlag 49 00 34 95 1 in den warenkorb

jörg m jäger karsten krüger hrsg der muskel im sport - Aug 08 2022

web der muskel im sport stellt erstmals alle wichtigen muskeln in dieser form dar das buch gliedert sich in vier hauptteile in jedem teil wird die muskulatur in einem anderen zusammenhang beleuchtet anatomic physiologie training rehabilitation 1 auflage 2011 buch softcover 19 2 x 24 cm 432 seiten 425 abbildungen sprache

der muskel im sport anatomic physiologie training - Aug 20 2023

web der muskel im sport anatomic physiologie training rehabilitation jörg m jäger amazon com tr kitap

der muskel im sport jäger jörg m krüger karsten - Oct 10 2022

web anatomic physiologie training rehabilitation von jäger jörg m hrsg krüger karsten hrsg buch kartoniert paperback eur 35 00 in den warenkorb produktbeschreibung der muskel im sport stellt erstmals alle wichtigen muskeln in dieser form dar

jörg m jäger karsten krüger hrsg der muskel im sport - Sep 09 2022

web der muskel im sport anatomic physiologie training rehabilitation 1 auflage 2011 buch softcover 19 2 x 24 cm 432 seiten 425 abbildungen sprache deutsch kategorien physiotherapie anatomic artikelnr 30024 isbn 978 3 932119 55 2 kvm verlag

der muskel im sport anatomic physiologie training - Dec 12 2022

web isbn 9783932119552 der muskel im sport anatomic physiologie training rehabilitation gebraucht antiquarisch neu kaufen preisvergleich käuferschutz wir bücher

major field test in business sample questions - May 29 2023

300 350 600 700 5 another firm has offered to produce old softy pillows and sell them to dreamland for 12 each dreamland cannot avoid the factory lease payments but can avoid

field test for business performance further evidence - Nov 10 2021

field test for business performance further evidence zahid iqbal phd texas southern university houston texas united states contact zahid iqbal tsu edu abstract assurance

ets major field test business study guide download only - Dec 12 2021

ets major field test business study guide civil society and social responsibility in higher education the challenge of change in africa s higher education in the 21st century

major field test business study set flashcards quizlet - Sep 01 2023

1 197 flashcards created by dana majewski terms in this set 197 balance sheet attempts to describe the financial condition of the firm at a point in time includes assets liabilities

ets major field test practice test bachelor s degree in - Jan 13 2022

apr 8 2023 ets major field test practice test bachelor s degree in business q a exam ets major field test practice test bachelor s degree in business q a

major field test business complete study guide summary - Aug 20 2022

mar 12 2023 businesses depreciate long term assets for both tax and accounting purposes straight line depreciation straight line depreciation estimated value useful life equal

the major field test mft for mba study guide complete with - Jun 17 2022

sep 15 2014 details or fastest delivery monday october 30 order within 8 hrs 47 mins details select delivery location used good details sold by thriftbooks atlanta access codes and

ets major field test practice test bachelor s degree in - Sep 20 2022

study with quizlet and memorize flashcards containing terms like the common characteristic possessed by all assets is a long life b great monetary value c tangible nature d future

the major field test mft for mba study guide complete with - Nov 22 2022

jun 29 2019 business money education reference enjoy fast free delivery exclusive deals and award winning movies tv shows with prime try prime and start saving today with

major field tests monfort college of business - Mar 27 2023

major field test score reports are sent directly to the office within an institution that purchases them such as a department chairperson dean or director of testing

major field test sample questions for bachelor s degree in - Apr 15 2022

the term net working capital refers to a inventories receivables and current notes and investments b assets divided by liabilities c current assets less short term liabilities d

test content ets major field tests ets major field test in - May 17 2022

download a description away each test s content along with sample questions or learn about how you can customize show the gain even better insight for your how test design

the ets major field tests - Feb 23 2023

contact an ets solutions advisor the ets major field tests help you assess the effectiveness of your program and evaluate student performance so you can improve curricula and student

ets major field test mft business exam 1 study platform - Jun 29 2023

gamification exceptional experiences with friendly study competitions badges and level ups text material tools used by the world s top professionals e books note taking surveys and

ets review monfort college of business - Jan 25 2023

students scholarships advising center bearmail business research center

about ets major field tests - Dec 24 2022

these business programs typically use english as an instruction language and have curricula the same or similar to the major field test business test content according to an earlier study

guidelines for use ets major field tests - Oct 22 2022

learn about proper use of the major field tests including how to select students the possibilities and limitations of the tests conducting content reviews and more skip to main

major field test flashcards quizlet - Jul 19 2022

which of the following variables in the short term is least important a currency exchange rates b political stability c population growth rate d tax structure for business c population

amazon com customer reviews the major field test mft for - Feb 11 2022

it is the kind of comprehensive guide those of us trying to prepare for an important exam search all over the internet for but don t find much help this study guide is a godsend for me

ets major field test in master of business administration - Apr 27 2023

a small start up a financial services firm with an extensive client list a large consumer goods company a large public utility involved in infrastructure development after an extensive

ets business exam study guide flashcards quizlet - Mar 15 2022

true accounting expense accounts would have a balance on which side left side accounting a profit making business operating as a separated legal entity and in which ownership is

major field tests business ets home - Jul 31 2023

conceptual foundations

test content ets major field tests - Oct 02 2023

add up to 50 locally authored questions which can be used to cover an area of concentration unique to the program 1 the combined information from your own content plus your scores