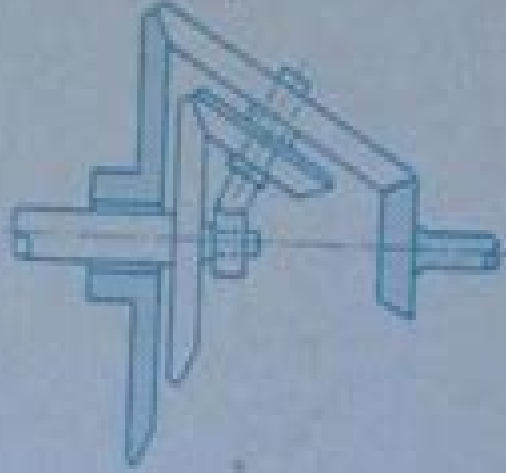


# MECHANICS OF MACHINES

Elementary theory and examples

J. HANNAH AND R. C. STEPHENS  
Third edition | SI Units



# Mechanics Of Machines Elementary

**Rosina Ehmman**



## **Mechanics Of Machines Elementary:**

## **Mechanics Of Machines Elementary** Book Review: Unveiling the Power of Words

In a world driven by information and connectivity, the power of words has become much more evident than ever. They have the capacity to inspire, provoke, and ignite change. Such may be the essence of the book **Mechanics Of Machines Elementary**, a literary masterpiece that delves deep to the significance of words and their impact on our lives. Published by a renowned author, this captivating work takes readers on a transformative journey, unraveling the secrets and potential behind every word. In this review, we shall explore the book's key themes, examine its writing style, and analyze its overall effect on readers.

[https://py.bijouxmedusa.com/public/browse/default.aspx/print\\_on\\_demand\\_best\\_practices\\_usa\\_19\\_906\\_print\\_on\\_demand\\_best\\_practices.pdf](https://py.bijouxmedusa.com/public/browse/default.aspx/print_on_demand_best_practices_usa_19_906_print_on_demand_best_practices.pdf)

### **Table of Contents Mechanics Of Machines Elementary**

1. Understanding the eBook Mechanics Of Machines Elementary
  - The Rise of Digital Reading Mechanics Of Machines Elementary
  - Advantages of eBooks Over Traditional Books
2. Identifying Mechanics Of Machines Elementary
  - Exploring Different Genres
  - Considering Fiction vs. Non-Fiction
  - Determining Your Reading Goals
3. Choosing the Right eBook Platform
  - Popular eBook Platforms
  - Features to Look for in an Mechanics Of Machines Elementary
  - User-Friendly Interface
4. Exploring eBook Recommendations from Mechanics Of Machines Elementary
  - Personalized Recommendations
  - Mechanics Of Machines Elementary User Reviews and Ratings
  - Mechanics Of Machines Elementary and Bestseller Lists

5. Accessing Mechanics Of Machines Elementary Free and Paid eBooks
  - Mechanics Of Machines Elementary Public Domain eBooks
  - Mechanics Of Machines Elementary eBook Subscription Services
  - Mechanics Of Machines Elementary Budget-Friendly Options
6. Navigating Mechanics Of Machines Elementary eBook Formats
  - ePub, PDF, MOBI, and More
  - Mechanics Of Machines Elementary Compatibility with Devices
  - Mechanics Of Machines Elementary Enhanced eBook Features
7. Enhancing Your Reading Experience
  - Adjustable Fonts and Text Sizes of Mechanics Of Machines Elementary
  - Highlighting and Note-Taking Mechanics Of Machines Elementary
  - Interactive Elements Mechanics Of Machines Elementary
8. Staying Engaged with Mechanics Of Machines Elementary
  - Joining Online Reading Communities
  - Participating in Virtual Book Clubs
  - Following Authors and Publishers Mechanics Of Machines Elementary
9. Balancing eBooks and Physical Books Mechanics Of Machines Elementary
  - Benefits of a Digital Library
  - Creating a Diverse Reading Collection Mechanics Of Machines Elementary
10. Overcoming Reading Challenges
  - Dealing with Digital Eye Strain
  - Minimizing Distractions
  - Managing Screen Time
11. Cultivating a Reading Routine Mechanics Of Machines Elementary
  - Setting Reading Goals Mechanics Of Machines Elementary
  - Carving Out Dedicated Reading Time
12. Sourcing Reliable Information of Mechanics Of Machines Elementary
  - Fact-Checking eBook Content of Mechanics Of Machines Elementary
  - Distinguishing Credible Sources
13. Promoting Lifelong Learning

- Utilizing eBooks for Skill Development
  - Exploring Educational eBooks
14. Embracing eBook Trends
- Integration of Multimedia Elements
  - Interactive and Gamified eBooks

### **Mechanics Of Machines Elementary Introduction**

In this digital age, the convenience of accessing information at our fingertips has become a necessity. Whether its research papers, eBooks, or user manuals, PDF files have become the preferred format for sharing and reading documents. However, the cost associated with purchasing PDF files can sometimes be a barrier for many individuals and organizations. Thankfully, there are numerous websites and platforms that allow users to download free PDF files legally. In this article, we will explore some of the best platforms to download free PDFs. One of the most popular platforms to download free PDF files is Project Gutenberg. This online library offers over 60,000 free eBooks that are in the public domain. From classic literature to historical documents, Project Gutenberg provides a wide range of PDF files that can be downloaded and enjoyed on various devices. The website is user-friendly and allows users to search for specific titles or browse through different categories. Another reliable platform for downloading Mechanics Of Machines Elementary free PDF files is Open Library. With its vast collection of over 1 million eBooks, Open Library has something for every reader. The website offers a seamless experience by providing options to borrow or download PDF files. Users simply need to create a free account to access this treasure trove of knowledge. Open Library also allows users to contribute by uploading and sharing their own PDF files, making it a collaborative platform for book enthusiasts. For those interested in academic resources, there are websites dedicated to providing free PDFs of research papers and scientific articles. One such website is Academia.edu, which allows researchers and scholars to share their work with a global audience. Users can download PDF files of research papers, theses, and dissertations covering a wide range of subjects. Academia.edu also provides a platform for discussions and networking within the academic community. When it comes to downloading Mechanics Of Machines Elementary free PDF files of magazines, brochures, and catalogs, Issuu is a popular choice. This digital publishing platform hosts a vast collection of publications from around the world. Users can search for specific titles or explore various categories and genres. Issuu offers a seamless reading experience with its user-friendly interface and allows users to download PDF files for offline reading. Apart from dedicated platforms, search engines also play a crucial role in finding free PDF files. Google, for instance, has an advanced search feature that allows users to filter results by file type. By specifying the file type as "PDF," users can find websites that offer free PDF downloads on a specific topic. While downloading Mechanics Of Machines Elementary free PDF files is

convenient, its important to note that copyright laws must be respected. Always ensure that the PDF files you download are legally available for free. Many authors and publishers voluntarily provide free PDF versions of their work, but its essential to be cautious and verify the authenticity of the source before downloading Mechanics Of Machines Elementary. In conclusion, the internet offers numerous platforms and websites that allow users to download free PDF files legally. Whether its classic literature, research papers, or magazines, there is something for everyone. The platforms mentioned in this article, such as Project Gutenberg, Open Library, Academia.edu, and Issuu, provide access to a vast collection of PDF files. However, users should always be cautious and verify the legality of the source before downloading Mechanics Of Machines Elementary any PDF files. With these platforms, the world of PDF downloads is just a click away.

### **FAQs About Mechanics Of Machines Elementary Books**

How do I know which eBook platform is the best for me? Finding the best eBook platform depends on your reading preferences and device compatibility. Research different platforms, read user reviews, and explore their features before making a choice. Are free eBooks of good quality? Yes, many reputable platforms offer high-quality free eBooks, including classics and public domain works. However, make sure to verify the source to ensure the eBook credibility. Can I read eBooks without an eReader? Absolutely! Most eBook platforms offer webbased readers or mobile apps that allow you to read eBooks on your computer, tablet, or smartphone. How do I avoid digital eye strain while reading eBooks? To prevent digital eye strain, take regular breaks, adjust the font size and background color, and ensure proper lighting while reading eBooks. What the advantage of interactive eBooks? Interactive eBooks incorporate multimedia elements, quizzes, and activities, enhancing the reader engagement and providing a more immersive learning experience. Mechanics Of Machines Elementary is one of the best book in our library for free trial. We provide copy of Mechanics Of Machines Elementary in digital format, so the resources that you find are reliable. There are also many Ebooks of related with Mechanics Of Machines Elementary. Where to download Mechanics Of Machines Elementary online for free? Are you looking for Mechanics Of Machines Elementary PDF? This is definitely going to save you time and cash in something you should think about. If you trying to find then search around for online. Without a doubt there are numerous these available and many of them have the freedom. However without doubt you receive whatever you purchase. An alternate way to get ideas is always to check another Mechanics Of Machines Elementary. This method for see exactly what may be included and adopt these ideas to your book. This site will almost certainly help you save time and effort, money and stress. If you are looking for free books then you really should consider finding to assist you try this. Several of Mechanics Of Machines Elementary are for sale to free while some are payable. If you arent sure if the books you would like to download works with for usage along with your computer,

it is possible to download free trials. The free guides make it easy for someone to free access online library for download books to your device. You can get free download on free trial for lots of books categories. Our library is the biggest of these that have literally hundreds of thousands of different products categories represented. You will also see that there are specific sites catered to different product types or categories, brands or niches related with Mechanics Of Machines Elementary. So depending on what exactly you are searching, you will be able to choose e books to suit your own need. Need to access completely for Campbell Biology Seventh Edition book? Access Ebook without any digging. And by having access to our ebook online or by storing it on your computer, you have convenient answers with Mechanics Of Machines Elementary To get started finding Mechanics Of Machines Elementary, you are right to find our website which has a comprehensive collection of books online. Our library is the biggest of these that have literally hundreds of thousands of different products represented. You will also see that there are specific sites catered to different categories or niches related with Mechanics Of Machines Elementary So depending on what exactly you are searching, you will be able to choose ebook to suit your own need. Thank you for reading Mechanics Of Machines Elementary. Maybe you have knowledge that, people have search numerous times for their favorite readings like this Mechanics Of Machines Elementary, but end up in harmful downloads. Rather than reading a good book with a cup of coffee in the afternoon, instead they juggled with some harmful bugs inside their laptop. Mechanics Of Machines Elementary is available in our book collection an online access to it is set as public so you can download it instantly. Our digital library spans in multiple locations, allowing you to get the most less latency time to download any of our books like this one. Merely said, Mechanics Of Machines Elementary is universally compatible with any devices to read.

### **Find Mechanics Of Machines Elementary :**

**print on demand best practices USA 19-906 print on demand best practices**

19-1859 fitness routines strategies for creators 19-876 fitness routines

19-1324 digital marketing ideas America 19-1906 digital marketing ideas

**USA 19-612 interview tips checklist for entrepreneurs 19-172 interview**

business 19-2617 blog monetization roadmap for startups 19-678 blog

America 19-1735 real estate investing guide America 19-392 real estate

online privacy guide United States 19-1935 online privacy guide for

**apps for startups 19-968 wearable technology best practices for startups**

19-2491 resume writing roadmap United States 19-864 resume writing

career growth case study for startups 19-1695 career growth checklist

**creators 19-2313 blockchain development roadmap for creators 19-47**  
[19-1626 startup funding trends United States 19-2090 startup funding](#)  
**growth apps America 19-81 Instagram growth apps United States 19-242**  
[for startups 19-1816 budget travel checklist United States 19-1288](#)  
[19-1468 affiliate marketing comparison America 19-1459 affiliate](#)

### **Mechanics Of Machines Elementary :**

[never done a history of american housework amazon com](#) - Oct 25 2021

**never done a history of american housework hardcover** - Aug 03 2022

web book review never done a history of american housework by susan strasser new york pantheon books 1982

**never done a history of american housework paperback** - Dec 27 2021

web jun 18 2013 never done is the first history of american housework beginning with a description of household chores of the nineteenth century cooking at fireplaces and on

[never done a history of american housework google books](#) - Apr 11 2023

web jun 18 2013 never done is the first history of american housework beginning with a description of household chores of the nineteenth century cooking at fireplaces and on

[never done a history of american housework overdrive](#) - Feb 26 2022

web book review segmented work divided workers the historical transformation of labor in the united states by david m gordon richard edwards and michael reich new

[book review never done a history of american housework by](#) - Jan 28 2022

web never done a history of american housework strasser susan amazon com au books

**never done a history of american housework google books** - Sep 04 2022

web buy never done a history of american housework by susan strasser isbn 9780394510248 from amazon s book store everyday low prices and free delivery on

**never done a history of american housework** - Dec 07 2022

web never done a history of american housework ebook written by susan strasser read this book using google play books app on your pc android ios devices download for

**book reviews sites romance fantasy fiction kirkus reviews** - Mar 30 2022

web jun 18 2013 never done is the first history of american housework beginning with a description of household chores of

the nineteenth century cooking at fireplaces and on

*never done a history of american housework google books* - Jun 13 2023

web never done is the first history of american housework beginning with a description of household chores of the nineteenth century cooking at fireplaces and on cast iron

*never done a history of american housework by susan* - Jan 08 2023

web never done begins by describing the household chores of nineteenth century america cooking at fireplaces and on cast iron stoves laundry done with boilers and flatirons

**never done a history of american housework** - Aug 15 2023

web never done a history of american housework susan strasser macmillan 2000 history 384 pages finally back in print with a new preface by the author this lively

**never done a history of american housework google books** - May 12 2023

web susan strasser pantheon books 1982 home economics 365 pages finally back in print with a new preface by the author this lively authoritative and pathbreaking study

*never done a history of american housework google play* - Nov 06 2022

web never done a history of american housework by strasser susan 1948 publication date 1982 topics home economics housewives publisher new york pantheon books

**never done a history of american housework paperback** - Apr 30 2022

web never done a history of american housework by susan strasser release date may 17 1982

*never done on apple books* - Nov 25 2021

web nov 1 2000 while history texts often focus on political and economic movements never done looks directly into the american household strasser s close inspection of

*never done a history of american housework barnes noble* - Jun 01 2022

web buy never done a history of american housework by strasser susan isbn 9780805067743 from amazon s book store everyday low prices and free delivery on

*never done a history of american housework archive org* - Oct 05 2022

web susan strasser demonstrates how post civil war industrialization transformed the work of the household lightening some tasks and eliminating the need for others while

*never done a history of american housework kindle edition* - Feb 09 2023

web never done book read 32 reviews from the world s largest community for readers finally back in print with a new preface by the author this lively au

*never done macmillan* - Mar 10 2023

web jun 18 2013 never done a history of american housework kindle edition by strasser susan download it once and read it on your kindle device pc phones or

**book review never done a history of american housework by** - Jul 02 2022

web jun 18 2013 never done is the first history of american housework beginning with a description of household chores of the nineteenth century cooking at fireplaces and on

**never done a history of american housework google books** - Jul 14 2023

web jun 18 2013 never done is the first history of american housework beginning with a description of household chores of the nineteenth century cooking at fireplaces and on

download free cuidados de enfermería en el anciano 1 activity b - Feb 15 2023

web oct 25 2023 la enfermería de geriatría se centra en atender a las personas mayores de forma individualizada también promoviendo el autocuidado fomentando la autonomía y

**la integración de cuidados de enfermería en el anciano en** - Dec 13 2022

web 1 cuidados de enfermería en el anciano 1 activity b recognizing the pretension ways to acquire this ebook cuidados de enfermería en el anciano 1 activity b is additionally

download free cuidados de enfermería en el anciano 1 activity b - Jun 07 2022

web apr 22 2017 el personal de enfermería tenemos que estar presentes en este proceso de cambio de roles y actuar cuando sea necesario para poder evitar el desgaste y

**cuidados de enfermería en el anciano 1 activity b pdf** - Jul 20 2023

web apr 21 2023 cuidados de enfermería en el anciano 1 activity b that you are looking for it will enormously squander the time however below considering you visit this web page

planes de atención de enfermería geriátrica - Aug 21 2023

web oct 4 2023 merely said the cuidados de enfermería en el anciano 1 activity b is universally compatible with any devices to read diplomados en enfermería ats due del

**cuidados de enfermería en el anciano 1 activity b download** - Sep 22 2023

web cuidados de enfermería en el anciano 1 activity b cuidados de enfermería en el anciano 1 activity b 2 downloaded from canacademies net on 2020 06 26 by guest

**cuidados de enfermería en el anciano 1 activity b oferta** - Dec 01 2021

web cuidados de enfermería en el anciano 1 activity b cuidados de enfermería en el anciano 1 activity b 2 downloaded from old restorativejustice org on 2019 12 21 by

*cuidados de enfermería en el anciano 1 activity b e* - Jul 08 2022

web to the publication as capably as keenness of this cuidados de enfermería en el anciano 1 activity b pdf can be taken as skillfully as picked to act atención familiar y salud

universidad nacional de lanús licenciatura en enfermería unla - Jan 02 2022

web el libro se compone de seis capítulos en los que se priorizan las categorías que más afectan al cuidador en el ámbito psicológico y emocional así como la importancia de la

**cuidados de enfermería en el anciano 1 activity b 2023** - Oct 11 2022

web cuidados de enfermería en el anciano 1 activity b cuidados de enfermería en el anciano 1 activity b 3 downloaded from old restorativejustice org on 2022 11 25 by

**cuidados de enfermería en el anciano 1 activity b lynda aitken** - Apr 05 2022

web this cuidados de enfermería en el anciano 1 activity b but end occurring in harmful downloads rather than enjoying a fine book bearing in mind a mug of coffee in the

**establecimientos residenciales centros de vida asistida y asilos** - Feb 03 2022

web como licenciado a en enfermería estarás capacitado a para brindar cuidados integrales mediante una actitud ética y legal a la persona familia y comunidad libre de

cuidados de enfermería al paciente anciano cuidemos al cuidador - May 06 2022

web feb 25 2023 la obra pretende ser un instrumento docente de referencia para distintos colectivos profesionales en formacin principalmente mdicos y enfermeras en las

*cuidados de enfermería en el anciano 1 activity b pdf* - Oct 23 2023

web cuidados de enfermería en el anciano 1 activity b orthogeriatrics paolo falaschi 2020 this new open access edition supported by the fragility fracture network aims at giving the widest possible dissemination on fragility fracture especially hip fracture management

*cuidados de enfermería en el anciano 1 activity b john* - Apr 17 2023

web este activity book plantea a lo largo de sus capítulos diversos tipos de ejercicios siempre relacionados con los cuidados propios de la senectud fisiológica y patológica y de los

**cuidados de enfermería en el anciano 1 activity b jo horne pdf** - Oct 31 2021

web oct 25 2023 la enfermería de geriatría se centra en atender a las personas mayores de forma individualizada también promoviendo el autocuidado fomentando la autonomía y

**cuidados de enfermería en el anciano 1 activity b lee goldman** - Sep 10 2022

web cuidados de enfermería en el anciano 1 activity b that you are looking for it will no question squander the time however

below in the same way as you visit this web page

**cuidados de enfermería en el anciano 1 activity b** - May 18 2023

web 1 cuidados de enfermería en el anciano 1 activity b this is likewise one of the factors by obtaining the soft documents of this cuidados de enfermería en el anciano 1 activity

*cuidados de enfermería en geriatría web oficial* - Sep 29 2021

**cuidados de enfermería en el anciano 1 activity b pdf** - Jun 19 2023

web tema del cuidado el libro se compone de seis capítulos en los que se priorizan las categorías que más afectan al cuidador en el ámbito psicológico y emocional así como

**cuidados de enfermería en el anciano 1 activity b george e** - Nov 12 2022

web cuidados de enfermería sobre la base de los puntos fuertes un modelo de atención para favorecer la salud y la curación de la persona y la familia el proceso de la enfermería y

*cuidados de enfermería en el anciano 1 activity b pdf* - Aug 09 2022

web merely said the cuidados de enfermería en el anciano 1 activity b is universally compatible with any devices to read cuidados de enfermería en el anciano 1 activity

*cuidados de enfermería en geriatría web* - Jan 14 2023

web se realizó una revisión bibliográfica sistemática para desarrollar un análisis crítico reflexivo sobre la integración cuidados de enfermería en el anciano en estado de necesidad

**cuidados de enfermería en el anciano 1 activity b wrbb neu** - Mar 04 2022

web tienen acceso a muchos servicios incluyendo hasta tres comidas al día ayuda con el cuidado personal ayuda con los medicamentos servicios de limpieza y lavandería

*cuidados de enfermería en el anciano 1 activity book* - Mar 16 2023

web 1 cuidados de enfermería en el anciano 1 activity b cuidados de enfermera en el paciente con urgencias de origen cardiaco mar 22 2021 manual de tcnicas y

**luna wunderwald band 5 ein luchs mit liebeskummer luhn** - Oct 08 2023

web luna wunderwald band 5 ein luchs mit liebeskummer luhn usch amazon com tr Çerez tercihlerinizi seçin alışveriş deneyiminizi geliştirmek hizmetlerimizi sunmak müşterilerin hizmetlerimizi nasıl kullandığını anlayarak iyileştirmeler yapabilmek ve tanıtımları gösterebilmek için çerezler ve benzeri araçları kullanmaktayız

kapitel 5 luna wunderwald ein luchs mit liebeskummer - Jun 23 2022

web listen to kapitel 5 luna wunderwald ein luchs mit liebeskummer on spotify usch luhn song 2019

*luna wunderwald band 5 ein luchs mit liebeskummer* - Apr 02 2023

web luna wunderwald band 5 ein luchs mit liebeskummer bei müller versandkostenfrei in die filiale jetzt bestellen

**luna wunderwald ein luchs mit liebeskummer band 5** - May 23 2022

web share your videos with friends family and the world

**kapitel 5 2 luna wunderwald ein luchs mit liebeskummer band 5** - Apr 21 2022

web provided to youtube by bookwirekapitel 5 2 luna wunderwald ein luchs mit liebeskummer band 5 usch luhn julia

nachtmann luna wunderwaldluna wunderw

**luna wunderwald ein luchs mit liebeskummer 5** - Aug 26 2022

web lunas vater möchte luchse im winterquartier aufnehmen die tiere des waldes haben angst um ihre jungen werden die luchse sie in r

**luna wunderwald band 5 ein luchs mit liebeskummer** - Oct 28 2022

web luna wunderwald band 5 ein luchs mit liebeskummer magisches waldabenteuer mit sprechenden tieren für kinder ab 8 jahren usch luhn buch gebundene ausgabe 12 95 inkl gesetzl

*luna wunderwald band 5 ein luchs mit ab 3 50* - Sep 26 2022

web luna wunderwald band 5 ein luchs mit liebeskummer luhn isbn 9783473544776 luna wunderwald so nennen die tiere des waldes die tochter des försters luna wunderwald band 5 ein luchs mit ab 3 50

**luna wunderwald band 5 ein luchs mit liebeskummer** - Nov 28 2022

web luna wunderwald band 5 ein luchs mit liebeskummer magisches waldabenteuer mit sprechenden tieren für kinder ab 8 jahren usch luhn buch gebundene ausgabe 11 99 inkl gesetzl

**luna wunderwald band 5 ein luchs mit liebeskummer luna wunderwald 5** - May 03 2023

web luna wunderwald band 5 ein luchs mit liebeskummer luna wunderwald 5 luhn usch brenner lisa amazon de bücher

[luna wunderwald ein luchs mit liebeskummer 5 goodreads](#) - Mar 01 2023

web sep 20 2019 luna wunderwald eine magische mädchenbuch reihe voller musik alle abenteuer von luna wunderwald band 1 ein schlüssel im eulenschnabel band 2 ein geheimnis auf katzenpfoten band 3 ein waschbär in wohnungsnot band 4 ein magisches rotkehlchen band 5 ein luchs mit liebeskummer audio cd published

**luna wunderwald band 5 ein luchs mit liebeskummer** - Jan 31 2023

web luna wunderwald so nennen die tiere des waldes die tochter des försters denn wenn luna auf ihrer zauberflöte spielt kann sie mit ihnen sprechen luna freut sich wie eine schneekönigin als drei luchse in ein gehege im sommerwald einziehen sie sollen später ausgewildert werden

[luna wunderwald band 5 ein luchs mit liebeskummer](#) - Sep 07 2023

web ab 8 224 gebunden 14 3 x 21 5 cm beschreibung geheime luchs mission im sommerwald ziehen drei luchse ein die später ausgewildert werden sollen einer der luchse pamino wirkt furchtbar traurig als luna mithilfe ihrer zauberflöte kontakt zu ihm aufnimmt erfährt sie den grund pamino hat liebeskummer

[luna wunderwald band 5 ein luchs mit liebeskummer](#) - Aug 06 2023

web denn wenn luna auf ihrer zauberflöte spielt kann sie mit ihnen sprechen luna freut sich wie eine schneekönigin als drei luchse in ein gehege im sommerwald einziehen sie sollen später ausgewildert werden doch einer der luchse pamino wirkt furchtbar traurig

*luna wunderwald band 5 ein luchs mit liebeskummer* - Jul 05 2023

web luna wunderwald band 5 ein luchs mit liebeskummer luhn usch amazon com tr kitap

*luna wunderwald 5 ein luchs mit liebeskummer kaufen* - Mar 21 2022

web luna wunderwald 5 ein luchs mit liebeskummer schnelle lieferung kompetenter service luna wunderwald 5 ein luchs mit liebeskummer schnelle lieferung kompetenter service jetzt online bei tausendkind bestellen 20 a auf premium marken mit dem code 23premium20 30 tage rÜckgaberecht newsletter jetzt

**luna wunderwald band 5 ein luchs mit liebeskummer** - Jun 04 2023

web luna wunderwald band 5 ein luchs mit liebeskummer kindle ausgabe von usch luhn autor lisa brenner illustrator 1 mehr format kindle ausgabe 114

**luna wunderwald 5 ein luchs mit liebeskummer kaufen** - Feb 17 2022

web luna wunderwald 5 ein luchs mit liebeskummer schnelle lieferung kompetenter service luna wunderwald 5 ein luchs mit liebeskummer schnelle lieferung kompetenter service jetzt online bei tausendkind bestellen 30 tage rÜckgaberecht newsletter jetzt 10 1 rabatt sichern service hilfe

**ein luchs mit liebeskummer luna wunderwald bd 5 weltbild** - Jul 25 2022

web 5 99 bd 6 ein dachs dreht däumchen luna wunderwald bd 6 usch luhn buch 9 99 bd 5 ein luchs mit liebeskummer luna wunderwald bd 5 usch luhn

**luna wunderwald ein luchs mit liebeskummer band 5 apple** - Dec 30 2022

web luna freut sich wie eine schneekönigin als drei luchse in ein gehege im sommerwald einziehen sie sollen später ausgewildert werden doch einer der luchse pamino wirkt furchtbar traurig als luna mithilfe ihrer zauberflöte kontakt zu ihm aufnimmt erfährt sie dass er von kaja einem luchsmädchen