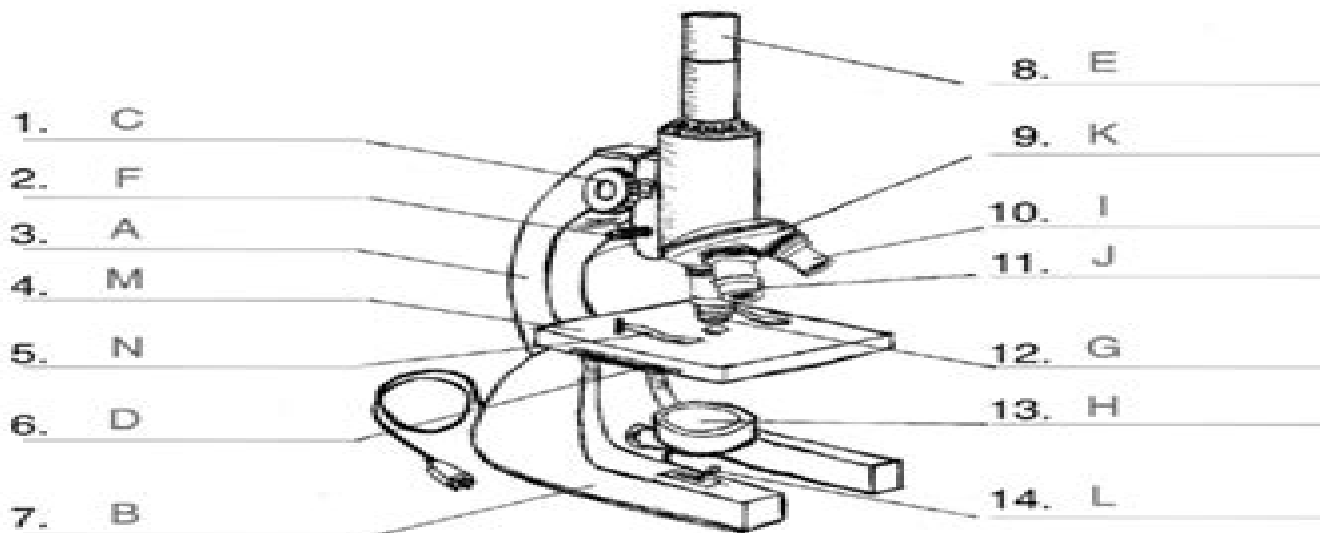


Name           KEY            
Period                           

### Quiz: Using a Microscope

Label the parts of the microscope. Write the correct letter in each blank.

- |                                 |                                |
|---------------------------------|--------------------------------|
| A. arm                          | H. lamp                        |
| B. base                         | I. low power objective lens    |
| C. coarse adjustment knob       | J. medium power objective lens |
| D. diaphragm (light adjustment) | K. nosepiece                   |
| E. eye piece                    | L. on/off switch               |
| F. fine adjustment knob         | M. stage                       |
| G. high power objective lens    | N. stage clips                 |



# Microscope Test Questions And Answers

**Zhe Xu**



## **Microscope Test Questions And Answers:**

**Class 6 Science MCQ (Multiple Choice Questions)** Arshad Iqbal, The Class 6 Science Multiple Choice Questions MCQ Quiz with Answers PDF 6th Grade Science MCQ PDF Download Quiz Questions Chapter 1 16 Practice Tests with Answer Key Class 6 Science Questions Bank MCQs Notes includes revision guide for problem solving with hundreds of solved MCQs Class 6 Science MCQ with Answers PDF book covers basic concepts analytical and practical assessment tests Class 6 Science MCQ PDF book helps to practice test questions from exam prep notes The Class 6 Science MCQs with Answers PDF eBook includes revision guide with verbal quantitative and analytical past papers solved MCQs Class 6 Science Multiple Choice Questions and Answers MCQs PDF Free download chapter 1 a book covers solved quiz questions and answers on chapters Air and atmosphere atoms molecules mixtures and compounds cells tissues and organs changing circuits dissolving and soluble forces habitat and food chain how we see things introduction to science living things and environment micro organisms physical quantities and measurements plant growth plant photosynthesis and respiration reversible and irreversible changes sense organ and senses workbook for middle school exam s papers Class 6 Science Quiz Questions and Answers PDF free download eBook s sample covers beginner s solved questions textbook s study notes to practice online tests The book Grade 6 Science MCQs Chapter 1 16 PDF includes middle school question papers to review practice tests for exams Class 6 Science Multiple Choice Questions MCQ with Answers PDF digital edition eBook a study guide with textbook chapters tests for NEET Jobs Entry Level competitive exam 6th Grade Science Mock Tests Chapter 1 16 eBook covers problems solving in self assessment workbook from science textbook and practical eBook chapter wise as Chapter 1 Air and Atmosphere MCQ Chapter 2 Atoms Molecules Mixtures and Compounds MCQ Chapter 3 Cells Tissues and Organs MCQ Chapter 4 Changing Circuits MCQ Chapter 5 Dissolving and Soluble MCQ Chapter 6 Forces MCQ Chapter 7 Habitat and Food Chain MCQ Chapter 8 How We See Things MCQ Chapter 9 Introduction to Science MCQ Chapter 10 Living Things and Environment MCQ Chapter 11 Micro Organisms MCQ Chapter 12 Physical Quantities and Measurements MCQ Chapter 13 Plant Growth MCQ Chapter 14 Plant Photosynthesis and Respiration MCQ Chapter 15 Reversible and Irreversible Changes MCQ Chapter 16 Sense Organ and Senses MCQ The Air and Atmosphere MCQ PDF e Book Chapter 1 practice test to solve MCQ questions on Air and processes air and water atmosphere basic facts composition of air fractional distillation of air gas properties and air and the atmosphere The Atoms Molecules Mixtures and Compounds MCQ PDF e Book Chapter 2 practice test to solve MCQ questions on Atoms and elements class 6 science facts combining elements compounds and properties elements and symbols facts about science interesting science facts metals and non metals metals and non metals mixtures and solutions mixtures separation properties of carbon properties of copper properties of gold properties of nitrogen science facts for kids substance and properties elements and uses of compounds The Cells Tissues and Organs MCQ PDF e Book Chapter 3 practice test to solve MCQ questions on Animal cells cells and cell types cells and tissues knowledge electron

microscope focusing microscope human body organs human body tissues light energy light microscope optical microscope plant cell structure plant organs pollination red blood cells specialist animal cell specialist plant cells substance and properties unicellular and multicellular organisms The Changing Circuits MCQ PDF e Book Chapter 4 practice test to solve MCQ questions on Circuit diagrams science electric circuits electric current and circuits The Dissolving and Soluble MCQ PDF e Book Chapter 5 practice test to solve MCQ questions on Dissolved solids and separation techniques The Forces MCQ PDF e Book Chapter 6 practice test to solve MCQ questions on Air resistance effects of forces forces in science gravitational force magnetic force properties of copper and upthrust The Habitat and Food Chain MCQ PDF e Book Chapter 7 practice test to solve MCQ questions on Animals and plants habitat animals habitats food chain and habitats food chains habitats of animals habitats of plants habitats animals and plants mammals plants habitats polar bears pollination and stomata The How We See Things MCQ PDF e Book Chapter 8 practice test to solve MCQ questions on Light and shadows light energy materials characteristics reflection of light science and sources of light The Introduction to Science MCQ PDF e Book Chapter 9 practice test to solve MCQ questions on Earthquakes lab safety rules science and technology science basics skills and processes and what is science The Living Things and Environment MCQ PDF e Book Chapter 10 practice test to solve MCQ questions on Biotic and abiotic environment feeding relationships food chain and habitats human parasites living and working together living things and environment living things dependence mammals physical environment plant and fungal parasites and rafflesia flower The Micro Organisms MCQ PDF e Book Chapter 11 practice test to solve MCQ questions on Micro organisms and decomposition micro organisms and food micro organisms and viruses and what are micro organisms The Physical Quantities and Measurements MCQ PDF e Book Chapter 12 practice test to solve MCQ questions on Measuring area measuring length measuring mass measuring time measuring volume physical quantities and SI units quantities and measurements and speed measurement The Plant Growth MCQ PDF e Book Chapter 13 practice test to solve MCQ questions on Insectivorous plants plants and nutrients plants growth and stomata The Plant Photosynthesis and Respiration MCQ PDF e Book Chapter 14 practice test to solve MCQ questions on Light energy photosynthesis and respiration photosynthesis for kids photosynthesis importance rate of photosynthesis science facts for kids stomata and what is respiration The Reversible and Irreversible Changes MCQ PDF e Book Chapter 15 practice test to solve MCQ questions on Burning process heating process reversible and irreversible changes substance and properties The Sense Organ and Senses MCQ PDF e Book Chapter 16 practice test to solve MCQ questions on Eyes and light facts about science human ear human eye human nose human skin human tongue interesting science facts reacting to stimuli science basics science facts for kids sense of balance and skin layers

**Class 9 Biology MCQ (Multiple Choice Questions)** Arshad Iqbal, The Class 9 Biology Multiple Choice Questions MCQ Quiz with Answers PDF 9th Grade Biology MCQ PDF Download Quiz Questions Chapter 1 9 Practice Tests with Answer Key Biology Questions Bank MCQs Notes includes revision guide for problem solving with hundreds of solved

MCQs Class 9 Biology MCQ with Answers PDF book covers basic concepts analytical and practical assessment tests Class 9 Biology MCQ PDF book helps to practice test questions from exam prep notes The Class 9 Biology MCQs with Answers PDF eBook includes revision guide with verbal quantitative and analytical past papers solved MCQs Class 9 Biology Multiple Choice Questions and Answers MCQs PDF Free download chapter 1 a book covers solved quiz questions and answers on chapters Biodiversity bioenergetics biology problems cell cycle cells and tissues enzymes introduction to biology nutrition transport tests for school and college revision guide Class 9 Biology Quiz Questions and Answers PDF free download eBook sample covers beginner s solved questions textbook s study notes to practice online tests The book Grade 9 Biology MCQs Chapter 1 9 PDF includes high school question papers to review practice tests for exams Class 9 Biology Multiple Choice Questions MCQ with Answers PDF digital edition eBook a study guide with textbook chapters tests for NEET MCAT MDCAT SAT ACT competitive exam 9th Grade Biology Mock Tests Chapter 1 9 eBook covers problem solving exam tests from biology textbook and practical eBook chapter wise as Chapter 1 Biodiversity MCQ Chapter 2 Bioenergetics MCQ Chapter 3 Biology Problems MCQ Chapter 4 Cell Cycle MCQ Chapter 5 Cells and Tissues MCQ Chapter 6 Enzymes MCQ Chapter 7 Introduction to Biology MCQ Chapter 8 Nutrition MCQ Chapter 9 Transport MCQ The Biodiversity MCQ PDF e Book Chapter 1 practice test to solve MCQ questions on Biodiversity conservation of biodiversity biodiversity classification loss and conservation of biodiversity binomial nomenclature classification system five kingdom kingdom Animalia kingdom plantae and kingdom protista The Bioenergetics MCQ PDF e Book Chapter 2 practice test to solve MCQ questions on Bioenergetics and ATP aerobic and anaerobic respiration respiration ATP cells energy currency energy budget of respiration limiting factors of photosynthesis mechanism of photosynthesis microorganisms oxidation reduction reactions photosynthesis process pyruvic acid and redox reaction The Biology Problems MCQ PDF e Book Chapter 3 practice test to solve MCQ questions on Biological method biological problems biological science biological solutions solving biology problems The Cell Cycle MCQ PDF e Book Chapter 4 practice test to solve MCQ questions on Cell cycle chromosomes meiosis phases of meiosis mitosis significance of mitosis apoptosis and necrosis The Cells and Tissues MCQ PDF e Book Chapter 5 practice test to solve MCQ questions on Cell size and ratio microscopy and cell theory muscle tissue nervous tissue complex tissues permanent tissues plant tissues cell organelles cellular structures and functions compound tissues connective tissue cytoplasm cytoskeleton epithelial tissue formation of cell theory light and electron microscopy meristems microscope passage of molecules and cells The Enzymes MCQ PDF e Book Chapter 6 practice test to solve MCQ questions on Enzymes characteristics of enzymes mechanism of enzyme action and rate of enzyme action The Introduction to Biology MCQ PDF e Book Chapter 7 practice test to solve MCQ questions on Introduction to biology and levels of organization The Nutrition MCQ PDF e Book Chapter 8 practice test to solve MCQ questions on Introduction to nutrition mineral nutrition in plants problems related to nutrition digestion and absorption digestion in human disorders of gut famine and malnutrition functions of liver functions of nitrogen and

magnesium human digestive system human food components importance of fertilizers macronutrients oesophagus oral cavity selection grinding and partial digestion problems related to malnutrition role of calcium and iron role of liver small intestine stomach digestion churning and melting vitamin a vitamin c vitamin d vitamins water and dietary fiber The Transport MCQ PDF e Book Chapter 9 practice test to solve MCQ questions on Transport in human transport in plants transport of food transport of water transpiration arterial system atherosclerosis and arteriosclerosis blood disorders blood groups blood vessels cardiovascular disorders human blood human blood circulatory system human heart myocardial infarction opening and closing of stomata platelets pulmonary and systemic circulation rate of transpiration red blood cells venous system and white blood cells

Class 10 Physics MCQ (Multiple Choice Questions) Arshad Iqbal, The Class 10 Physics Multiple Choice Questions MCQ Quiz with Answers PDF 10th Grade Physics MCQ PDF Download Quiz Questions Chapter 1 9 Practice Tests with Answer Key Physics Questions Bank MCQs Notes includes revision guide for problem solving with hundreds of solved MCQs Class 10 Physics MCQ with Answers PDF book covers basic concepts analytical and practical assessment tests Class 10 Physics MCQ PDF book helps to practice test questions from exam prep notes The Class 10 Physics MCQs with Answers PDF eBook includes revision guide with verbal quantitative and analytical past papers solved MCQs Class 10 Physics Multiple Choice Questions and Answers MCQs PDF Free download chapter 1 a book covers solved quiz questions and answers on chapters Atomic and nuclear physics basic electronics current and electricity electromagnetism electrostatics geometrical optics information and communication technology simple harmonic motion and waves sound tests for school and college revision guide Class 10 Physics Quiz Questions and Answers PDF free download eBook s sample covers beginner s solved questions textbook s study notes to practice online tests The book Grade 10 Physics MCQs Chapter 1 9 PDF includes high school question papers to review practice tests for exams Class 10 Physics Multiple Choice Questions MCQ with Answers PDF digital edition eBook a study guide with textbook chapters tests for NEET MCAT SAT ACT GATE IPhO competitive exam 10th Grade Physics Mock Tests Chapter 1 9 eBook covers problem solving exam tests from physics textbook and practical eBook chapter wise as Chapter 1 Atomic and Nuclear Physics MCQ Chapter 2 Basic Electronics MCQ Chapter 3 Current Electricity MCQ Chapter 4 Electromagnetism MCQ Chapter 5 Electrostatics MCQ Chapter 6 Geometrical Optics MCQ Chapter 7 Information and Communication Technology MCQ Chapter 8 Simple Harmonic Motion and Waves MCQ Chapter 9 Sound MCQ The Atomic and Nuclear Physics MCQ PDF e Book Chapter 1 practice test to solve MCQ questions on Atom and atomic nucleus nuclear physics nuclear transmutations background radiations fission reaction half life measurement hazards of radiations natural radioactivity nuclear fusion radioisotope and uses and radioisotopes The Basic Electronics MCQ PDF e Book Chapter 2 practice test to solve MCQ questions on Digital and analogue electronics basic operations of logical gates analogue and digital electronics and gate operation and operation cathode ray oscilloscope electrons properties investigating properties of electrons logic gates NAND gate NAND operation NOR gate NOR operation NOT operation OR operation

thermionic emission and uses of logic gates The Current and Electricity MCQ PDF e Book Chapter 3 practice test to solve MCQ questions on Current and electricity electric current electric power electric safety electric shocks electrical energy and Joule s law combination of resistors conductors direct and alternating current direct current and alternating current electromotive force factors affecting resistance hazards of electricity how does material effect resistance insulators kilowatt hour Ohm s law Ohmic and non Ohmic conductors potential difference resistivity and important factors resistors and resistance The Electromagnetism MCQ PDF e Book Chapter 4 practice test to solve MCQ questions on Electromagnetism electromagnetic induction AC generator alternate current generator dc motor direct current motor force on a current carrying conductor and magnetic field high voltage transmission Lenz s law magnetic effects and steady current magnetic field versus voltage mutual induction radio waves transmission transformer and turning effect on a current carrying coil in magnetic field The Electrostatics MCQ PDF e Book Chapter 5 practice test to solve MCQ questions on Electrostatic induction electrostatic potential capacitors and capacitance capacitors capacitors interview questions circuit components Coulomb s law different types of capacitors electric charge electric field and electric field intensity electric potential electric shocks electronic devices electroscope electrostatics applications hazards of static electricity and production of electric charges The Geometrical Optics MCQ PDF e Book Chapter 6 practice test to solve MCQ questions on Application of internal reflection application of lenses compound and simple microscope compound microscope defects of vision eye defects human eye image formation by lenses image location by lens equation image location by spherical formula of mirror lens image formation lenses and characteristics lenses and properties light reflection light refraction optical fiber lens equation reflection of light refraction of light simple microscope spherical mirror formula spherical mirrors telescope and total internal reflection The Information and Communication Technology MCQ PDF e Book Chapter 7 practice test to solve MCQ questions on Information and communication technology computer based information system applications of computer computer word processing electric signal transmission information flow information storage devices internet radio waves transmission storage devices and technology transmission of electric signal through wires transmission of light signals through optical fibers and transmission of radio waves through space The Simple Harmonic Motion and Waves MCQ PDF e Book Chapter 8 practice test to solve MCQ questions on Simple harmonic motion damped oscillations longitudinal waves types of mechanical waves wave motion acoustics and ripple tank The Sound MCQ PDF e Book Chapter 9 practice test to solve MCQ questions on Sound and sound waves sound wave and speed characteristics of sound echo of sound audible frequency range audible range of human ear importance of acoustics longitudinal waves noise pollution reflection and ultrasound

*The American Journal of Microscopy and Popular Science* ,1876      *How to Pass Dental Aptitude Tests, Questions and Answers* College Publishing Corporation, Brooklyn,1962      **Forensic Medicine And Toxicology (oral, Practical & Mcq)** R. N. Karmakar,      **Paper Trade Journal** ,1911      **Modern Microscopy** M. I. Cross,Martin J. Cole,1893      **A-Level Biology for AQA: Year 1 & 2**

**Student Book** CGP Books,2020-09-29 This comprehensive CGP student book covers both years AQA A Level Biology It contains in depth accessible notes explaining every topic supported by clear diagrams photographs tips and worked examples To test students knowledge and understanding there are practice questions and exam style questions throughout the book with complete answers included There s also detailed guidance on Maths Skills Practical Investigations and indispensable advice for success in the final exams If you prefer separate CGP student books are available for Year 1 9781782943198 and Year 2 9781782943242 of AQA A Level Biology Questions and Answers, Veterinary John Victor Lacroix,Horace Preston Hoskins,1951 *Spelling and Vocabulary Level 7* Pete Earley,1999 *Parliamentary Debates* New South Wales. Parliament,1894 *Current Opinion* Frank Crane,Edward Jewitt Wheeler,1925 Tests and Measurements Applied to Nursing Education Hyman Krakower,1949 Publications University of Chicago. Laboratory Schools,1930 **The Duroc Bulletin** ,1921 **Swine World** ,1920 *Scientific American* ,1882 The American Monthly Microscopical Journal ,1893 **The Optical Journal** ,1906

If you ally obsession such a referred **Microscope Test Questions And Answers** book that will give you worth, get the categorically best seller from us currently from several preferred authors. If you desire to funny books, lots of novels, tale, jokes, and more fictions collections are also launched, from best seller to one of the most current released.

You may not be perplexed to enjoy every ebook collections Microscope Test Questions And Answers that we will extremely offer. It is not a propos the costs. Its just about what you dependence currently. This Microscope Test Questions And Answers, as one of the most practicing sellers here will entirely be among the best options to review.

[https://py.bijouxmedusa.com/public/detail/default.aspx/entrepreneurs\\_57\\_27\\_chatbot\\_development\\_roadmap\\_for\\_small\\_busin\\_ess.pdf](https://py.bijouxmedusa.com/public/detail/default.aspx/entrepreneurs_57_27_chatbot_development_roadmap_for_small_busin_ess.pdf)

## **Table of Contents Microscope Test Questions And Answers**

1. Understanding the eBook Microscope Test Questions And Answers
  - The Rise of Digital Reading Microscope Test Questions And Answers
  - Advantages of eBooks Over Traditional Books
2. Identifying Microscope Test Questions And Answers
  - Exploring Different Genres
  - Considering Fiction vs. Non-Fiction
  - Determining Your Reading Goals
3. Choosing the Right eBook Platform
  - Popular eBook Platforms
  - Features to Look for in an Microscope Test Questions And Answers
  - User-Friendly Interface
4. Exploring eBook Recommendations from Microscope Test Questions And Answers
  - Personalized Recommendations
  - Microscope Test Questions And Answers User Reviews and Ratings
  - Microscope Test Questions And Answers and Bestseller Lists

5. Accessing Microscope Test Questions And Answers Free and Paid eBooks
  - Microscope Test Questions And Answers Public Domain eBooks
  - Microscope Test Questions And Answers eBook Subscription Services
  - Microscope Test Questions And Answers Budget-Friendly Options
6. Navigating Microscope Test Questions And Answers eBook Formats
  - ePub, PDF, MOBI, and More
  - Microscope Test Questions And Answers Compatibility with Devices
  - Microscope Test Questions And Answers Enhanced eBook Features
7. Enhancing Your Reading Experience
  - Adjustable Fonts and Text Sizes of Microscope Test Questions And Answers
  - Highlighting and Note-Taking Microscope Test Questions And Answers
  - Interactive Elements Microscope Test Questions And Answers
8. Staying Engaged with Microscope Test Questions And Answers
  - Joining Online Reading Communities
  - Participating in Virtual Book Clubs
  - Following Authors and Publishers Microscope Test Questions And Answers
9. Balancing eBooks and Physical Books Microscope Test Questions And Answers
  - Benefits of a Digital Library
  - Creating a Diverse Reading Collection Microscope Test Questions And Answers
10. Overcoming Reading Challenges
  - Dealing with Digital Eye Strain
  - Minimizing Distractions
  - Managing Screen Time
11. Cultivating a Reading Routine Microscope Test Questions And Answers
  - Setting Reading Goals Microscope Test Questions And Answers
  - Carving Out Dedicated Reading Time
12. Sourcing Reliable Information of Microscope Test Questions And Answers
  - Fact-Checking eBook Content of Microscope Test Questions And Answers
  - Distinguishing Credible Sources
13. Promoting Lifelong Learning

- Utilizing eBooks for Skill Development
  - Exploring Educational eBooks
14. Embracing eBook Trends
- Integration of Multimedia Elements
  - Interactive and Gamified eBooks

### **Microscope Test Questions And Answers Introduction**

Free PDF Books and Manuals for Download: Unlocking Knowledge at Your Fingertips In today's fast-paced digital age, obtaining valuable knowledge has become easier than ever. Thanks to the internet, a vast array of books and manuals are now available for free download in PDF format. Whether you are a student, professional, or simply an avid reader, this treasure trove of downloadable resources offers a wealth of information, conveniently accessible anytime, anywhere. The advent of online libraries and platforms dedicated to sharing knowledge has revolutionized the way we consume information. No longer confined to physical libraries or bookstores, readers can now access an extensive collection of digital books and manuals with just a few clicks. These resources, available in PDF, Microsoft Word, and PowerPoint formats, cater to a wide range of interests, including literature, technology, science, history, and much more. One notable platform where you can explore and download free Microscope Test Questions And Answers PDF books and manuals is the internet's largest free library. Hosted online, this catalog compiles a vast assortment of documents, making it a veritable goldmine of knowledge. With its easy-to-use website interface and customizable PDF generator, this platform offers a user-friendly experience, allowing individuals to effortlessly navigate and access the information they seek. The availability of free PDF books and manuals on this platform demonstrates its commitment to democratizing education and empowering individuals with the tools needed to succeed in their chosen fields. It allows anyone, regardless of their background or financial limitations, to expand their horizons and gain insights from experts in various disciplines. One of the most significant advantages of downloading PDF books and manuals lies in their portability. Unlike physical copies, digital books can be stored and carried on a single device, such as a tablet or smartphone, saving valuable space and weight. This convenience makes it possible for readers to have their entire library at their fingertips, whether they are commuting, traveling, or simply enjoying a lazy afternoon at home. Additionally, digital files are easily searchable, enabling readers to locate specific information within seconds. With a few keystrokes, users can search for keywords, topics, or phrases, making research and finding relevant information a breeze. This efficiency saves time and effort, streamlining the learning process and allowing individuals to focus on extracting the information they need. Furthermore, the availability of free PDF books and manuals fosters a culture of continuous learning. By removing financial barriers, more people can access educational resources and pursue lifelong

learning, contributing to personal growth and professional development. This democratization of knowledge promotes intellectual curiosity and empowers individuals to become lifelong learners, promoting progress and innovation in various fields. It is worth noting that while accessing free Microscope Test Questions And Answers PDF books and manuals is convenient and cost-effective, it is vital to respect copyright laws and intellectual property rights. Platforms offering free downloads often operate within legal boundaries, ensuring that the materials they provide are either in the public domain or authorized for distribution. By adhering to copyright laws, users can enjoy the benefits of free access to knowledge while supporting the authors and publishers who make these resources available. In conclusion, the availability of Microscope Test Questions And Answers free PDF books and manuals for download has revolutionized the way we access and consume knowledge. With just a few clicks, individuals can explore a vast collection of resources across different disciplines, all free of charge. This accessibility empowers individuals to become lifelong learners, contributing to personal growth, professional development, and the advancement of society as a whole. So why not unlock a world of knowledge today? Start exploring the vast sea of free PDF books and manuals waiting to be discovered right at your fingertips.

### **FAQs About Microscope Test Questions And Answers Books**

How do I know which eBook platform is the best for me? Finding the best eBook platform depends on your reading preferences and device compatibility. Research different platforms, read user reviews, and explore their features before making a choice. Are free eBooks of good quality? Yes, many reputable platforms offer high-quality free eBooks, including classics and public domain works. However, make sure to verify the source to ensure the eBook credibility. Can I read eBooks without an eReader? Absolutely! Most eBook platforms offer webbased readers or mobile apps that allow you to read eBooks on your computer, tablet, or smartphone. How do I avoid digital eye strain while reading eBooks? To prevent digital eye strain, take regular breaks, adjust the font size and background color, and ensure proper lighting while reading eBooks. What the advantage of interactive eBooks? Interactive eBooks incorporate multimedia elements, quizzes, and activities, enhancing the reader engagement and providing a more immersive learning experience. Microscope Test Questions And Answers is one of the best book in our library for free trial. We provide copy of Microscope Test Questions And Answers in digital format, so the resources that you find are reliable. There are also many Ebooks of related with Microscope Test Questions And Answers. Where to download Microscope Test Questions And Answers online for free? Are you looking for Microscope Test Questions And Answers PDF? This is definitely going to save you time and cash in something you should think about. If you trying to find then search around for online. Without a doubt there are numerous these available and many of them have the freedom. However without doubt you receive whatever you purchase. An alternate way to get ideas is

always to check another Microscope Test Questions And Answers. This method for see exactly what may be included and adopt these ideas to your book. This site will almost certainly help you save time and effort, money and stress. If you are looking for free books then you really should consider finding to assist you try this. Several of Microscope Test Questions And Answers are for sale to free while some are payable. If you arent sure if the books you would like to download works with for usage along with your computer, it is possible to download free trials. The free guides make it easy for someone to free access online library for download books to your device. You can get free download on free trial for lots of books categories. Our library is the biggest of these that have literally hundreds of thousands of different products categories represented. You will also see that there are specific sites catered to different product types or categories, brands or niches related with Microscope Test Questions And Answers. So depending on what exactly you are searching, you will be able to choose e books to suit your own need. Need to access completely for Campbell Biology Seventh Edition book? Access Ebook without any digging. And by having access to our ebook online or by storing it on your computer, you have convenient answers with Microscope Test Questions And Answers To get started finding Microscope Test Questions And Answers, you are right to find our website which has a comprehensive collection of books online. Our library is the biggest of these that have literally hundreds of thousands of different products represented. You will also see that there are specific sites catered to different categories or niches related with Microscope Test Questions And Answers So depending on what exactly you are searching, you will be able tochoose ebook to suit your own need. Thank you for reading Microscope Test Questions And Answers. Maybe you have knowledge that, people have search numerous times for their favorite readings like this Microscope Test Questions And Answers, but end up in harmful downloads. Rather than reading a good book with a cup of coffee in the afternoon, instead they juggled with some harmful bugs inside their laptop. Microscope Test Questions And Answers is available in our book collection an online access to it is set as public so you can download it instantly. Our digital library spans in multiple locations, allowing you to get the most less latency time to download any of our books like this one. Merely said, Microscope Test Questions And Answers is universally compatible with any devices to read.

### **Find Microscope Test Questions And Answers :**

*entrepreneurs 57-27 chatbot development roadmap for small business*  
[57-1094 mental wellness roadmap America](#) [57-2515 mental wellness roadmap](#)  
[electric vehicles trends for creators 57-478 electric vehicles tutorial](#)  
[startups 57-1235 wearable technology examples United States 57-1418](#)  
[for small business 57-1332 YouTube growth roadmap America 57-1469](#)  
**for creators 57-831 real estate investing apps for entrepreneurs 57-2928**

[planning apps for creators 57-2285](#) [retirement planning apps for entrepreneurs 57-2556](#) [VPN services step by step for entrepreneurs 57-2273](#) [online business tips America 57-1954](#) [online business tips for study for entrepreneurs 57-2472](#) [mental wellness checklist USA 57-2471](#) [comparison for startups 57-2550](#) [small business ideas comparison for ideas case study for creators 57-812](#) [mobile app ideas checklist America United States 57-1939](#) [SEO strategy best practices United States 57-220](#) [tools apps for entrepreneurs 57-1170](#) [AI tools best practices for 57-2580](#) [dropshipping business checklist America 57-2713](#) [dropshipping](#)

### Microscope Test Questions And Answers :

**outcomes intermediate student workbook** - Aug 02 2022

web sep 8 2018 outcomes vocabulary builder 1 16 units vocabbuilder exercises and answer key real situations real language real outcomes the second edition of

*outcomes intermediate students book abebooks* - Sep 03 2022

web just what we give below as capably as review outcomes intermediate student workbook what you when to read outcomes upper intermediate teacher s book carol nuttall

*outcomes intermediate student s book workbook teacher s* - Aug 14 2023

web the second edition of outcomes has been fully revised and updated to provide contemporary global content and stunning national geographic photos and videos its

**walkley andrew outcomes intermediate student s book keys** - Jan 27 2022

web pre int sample unit click on the links below to download a sample unit from the student s book workbook and teacher s book of outcomes pre intermediate including the

*buy your books for english language learning as well as higher* - Apr 29 2022

web aug 20 2016 Если вы хотите скачать outcomes pre intermediate student s book workbook and audio то придется вас огорчить требования dmca этого не

**outcomes intermediate student workbook ams istanbul edu tr** - Oct 04 2022

web outcomes b1 2 b2 1 intermediate student s book and workbook combo split edition a audio cd dvd rom unit 1 8 hugh dellar published by cornelsen verlag gmbh

*upper intermediate sample unit elt outcomes* - Nov 24 2021

web student resources student s book and workbook audio beginner audio elementary audio pre int audio intermediate audio upper int audio advanced audio vocab

**outcomes 3 intermediate student s book answer key sciarium** - Feb 25 2022

web oct 18 2011 outcomes pre intermediate workbook 2010 heinle cengage learning emea outcomes is a completely new general english course for students who are

student resources elt outcomes - Oct 24 2021

web pre intermediate intermediate upper intermediate advanced cefr correlations esol correlations exam view split editions teacher s book references student resources

**outcomes upper intermediate student s book workbook** - Jan 07 2023

web 6 levels beginner to advanced british english up to 120 teaching hours level real situations real language real outcomes outcomes second edition is

outcomes 2nd edition intermediate workbook pdf free - Apr 10 2023

web tables of contents click on the links below to download the table of contents for each level of outcomes download beginner studentsbook contents pdf 937 17 kb download

**outcomes intermediate student s book audio youtube** - May 31 2022

web outcomes intermediate second edition student s book with class dvd and ebook code by dellar hugh walkley andrew published by national geographic learning

welcome elt outcomes - Sep 22 2021

outcomes second edition ngl elt catalog series - Dec 06 2022

web workbook teacher s book 2nd 2nd edition national geographic learning 2016 212p 2016 136p 2016 278p the second edition of outcomes has been fully

outcomes pre intermediate student s book workbook and audio - Mar 29 2022

web may 22 2020 outcomes 3 intermediate student s book answer key djvu file size 638 05 kb added by senseless 05 22 2020 00 20 2nd edition boston national

**outcomes pre intermediate student s book workbook** - Nov 05 2022

web outcomes intermediate student workbook 5 5 outcomes the second edition of outcomes is the only course that is consistently focused on helping students achieve

outcomes intermediate workbook with key cd google books - May 11 2023

web recommend documents outcomes 2nd edition intermediate student book outcomes 2nd edition advanced answer key

outcomes upper intermediate

**pre int sample unit elt outcomes** - Dec 26 2021

web click on the links below to download a sample unit from the student s book workbook and teacher s book of outcomes

upper intermediate including the class and workbook

**outcomes intermediate google drive** - Jun 12 2023

web outcomes is a completely new general english course in which natural real world grammar and vocabulary help students to succeed in social professional and academic

*outcomes 2 pre intermediate workbook sciarium* - Jul 01 2022

web mar 3 2021 00 02 52 200 03 56 300 04 24 400 06 12 500 09 26 600 10 34 700 11 17 8 00 13 55 9 00 14 57 1000 16 20 1100 18 49 1200 19 55 1300 20 3

**intermediate sample unit elt outcomes** - Jul 13 2023

web feb 10 2018 outcomes 2ed intermediate wb pdf owner hidden feb 10 2018 185 3 mb no files in this folder sign in to add files to this folder google apps main menu

**tables of contents elt outcomes** - Mar 09 2023

web dec 10 2019 the second edition of outcomes is the only course that is consistently focused on helping students achieve the real world communicative outcomes they want

**pdf cd outcomes intermediate workbook 2nd edition** - Feb 08 2023

web outcomes upper intermediate student s book hugh dellar andrew walkley 2016 2nd 213p format pdf size 72 5 mb view download drive google sb answer key

*haute couture fashion illustration resource h* - Dec 27 2021

web right here we have countless ebook haute couture fashion illustration resource h and collections to check out we additionally meet the expense of variant types and furthermore type of the books to browse

**download now yumpu** - Jan 28 2022

web nov 2 2022 haute couture fashion illustration resource book how to draw evening dresses and wedding gowns fashion croquis books before now i have never had a passion about reading guides haute couture fashion illustration resource book how to draw evening dresses and wedding gowns fashion croquis books the only time

**haute couture fashion illustration resource book how to draw** - Jul 14 2023

web haute couture fashion illustration resource book how to draw evening dresses and wedding gowns more than 700 freehand illustrations are included in the book most dress silhouettes sleeve types design elements and dress types are illustrated and annotated for inspiration and references

*haute couture fashion illustration resource book how to draw* - Mar 10 2023

web sep 16 2018 illustrate haute couture style dress or bridal gown without unnecessary stress and mistakes this book is for everyone who designs illustrates or works with haute couture style fashion if you need to illustrate wedding dresses evening gowns one of a kind outfits loosely covered by the term haute couture this book is for you

*haute couture fashion illustration resources 4 book series* - Jun 13 2023

web this ebook is an excerpt from the paperback edition of the haute couture fashion illustration resource book how to draw evening dresses and wedding gowns fashion croquis book series by irina v ivanova the ebook includes main drawing steps and visuals for selected dress styles with ruffles flare and gathers how to draw

*haute couture fashion illustration resource book how to draw* - Jan 08 2023

web use the haute couture fashion illustration resource book to save time and effort for professional grade results this book will be equally valuable to advanced designers and novices in fashion illustration alike

*haute couture fashion illustration resource book how to draw* - May 12 2023

web haute couture fashion illustration resource book how to draw evening dresses and wedding gowns more than 700 freehand illustrations are included in the book most dress silhouettes sleeve types design elements and dress types are illustrated and annotated for inspiration and references

*haute couture fashion illustration resource book* - Dec 07 2022

web this is a book for everyone who designs illustrates or works with haute couture style fashion if you need to illustrate wedding dresses evening gowns one of a kind outfits loosely covered by a term haute couture this book is for you with the haute couture fashion illustration resource book you will be more productive

*haute couture fashion illustration resource book how to draw* - Feb 09 2023

web in the haute couture fashion illustration resource book you will find 700 hand drawn pencil illustrations collection of dress silhouettes with examples and analytics 18 haute couture style figure templates basic terminology of wedding dresses and evening gowns step by step drawing tutorials

*haute couture fashion illustration resource book h pdf* - Sep 04 2022

web haute couture fashion illustration resource book h technical drawing for fashion house of fashion haute couture exhibition held at the metropolitan museum of art new york december 7 1995 march 24 1996 creative fashion illustration workbook for future fashion designers book 2 pleating the fashion book in pursuit of

*haute couture fashion illustration resource book h download* - Mar 30 2022

web creative fashion illustration workbook for future fashion designers book 2 the fashion book haute couture fashion illustration resource book h downloaded from ftp popcake com by guest moreno ernesto the fashion resource book

metropolitan museum of art complexity made easy illustrate haute couture style dress or bridal

**haute couture fashion illustration resource book h 2022 old** - Nov 06 2022

web haute couture fashion illustration resource book h 3 3 is for everyone who designs illustrates or works with haute couture style fashion if you need to illustrate wedding dresses evening gowns one of a kind outfits loosely covered by the term haute couture this book is for you with the haute couture

**haute couture fashion illustration resource book black women** - Oct 05 2022

web oct 2 2021 developing your imagination in full color with this haute couture fashion illustration resource book let the colors of your desires flow by learning design in a fun and sensual way with its 25 illustrations of black women adults coloring book in nice suits coloring books for adults

haute couture fashion illustration resource book how to draw - Aug 15 2023

web sep 16 2018 haute couture fashion illustration resource book how to draw evening dresses and wedding gowns more than 700 freehand illustrations are included in the book most dress silhouettes sleeve types design elements and dress types are illustrated and annotated for inspiration and references

*haute couture fashion illustration resource book h download* - Apr 30 2022

web haute couture fashion illustration resource book h is user friendly in our digital library an online permission to it is set as public fittingly you can download it instantly our digital library saves in multipart countries allowing you to get the most less latency period to download any of our books once this one

**haute couture fashion illustration resource book how to draw** - Apr 11 2023

web sep 16 2018 haute couture fashion illustration resource book how to draw evening dresses and wedding gowns by irina ivanova paperback barnes noble complexity made easy illustrate an haute couture style dress or bridal gown without unnecessary stress and mistakes this haute

**haute couture fashion illustration resource book all you need to** - Aug 03 2022

web jan 25 2023 about press copyright contact us creators advertise developers terms privacy policy safety how youtube works test new features nfl sunday ticket press copyright

*haute couture fashion illustration resource book* - Jun 01 2022

web download or read book haute couture fashion illustration resource book written by irina v ivanova and published by art design project inc this book was released on 2016 09 16 with total page 261 pages

*haute couture fashion illustration resource book h pdf* - Jul 02 2022

web haute couture fashion illustration resource book h in pursuit of fashion modern fashion illustration portfolio style fashion design sketching journal for womenswear projects croquis style sabrina fashion design the complete guide yves saint laurent

pleating yves saint laurent halston fashion illustration contemporary haute couture

[haute couture fashion ill yumpu](#) - Feb 26 2022

web mar 30 2022 wedding gowns fashion croquis books for many factors ebooks haute couture fashion illustration resource book how to draw evening dresses and wedding gowns fashion croquis books are significant crafting assignments that writers like to get their producing tooth into theyre very easy to structure simply because there arent any

**mbbs result 2023 marks position serial and merit list** - Oct 24 2021

web sep 8 2023 mbbs result 2023 today the mbbs medical admission result in 1st merit list has been published at 01 00 pm all the candidates now easily check this result from

[İstanbul medeniyet Üniversitesi 2023 taban puanları son 4 yıl](#) - Jan 27 2022

web mar 12 2023 mbbs medical admission result 2023 will publish on 12 march 2023 afternoon marks score merit list pdf will available in website

[merit lists mbbs 2022 2023 hbs](#) - May 31 2022

web nov 16 2019 latest updates updated 16 jan 2023 avicenna medical college has been declared the 4th merit list of mbbs for session 2022 2023 now merit lists are available

[pmdc releases mdcat merit list 2023 daily pakistan](#) - Jan 07 2023

web sizler için düzenlediğimiz puanlara aşağıdaki tablodan ulaşabilirsiniz 2020 tyt ayt taban puanları ve başarı sıralamaları aşağıdaki gibidir dipnot burada verilen puanlar ve

[uhs first merit list 2013 pakmed net archive org](#) - Jun 12 2023

web jun 29 2014 list of candidates selected on open merit seats for king edward medical university kemu lahore for the session 2013 2014 16th november 2013 mbbs bds

**mbbs medical admission result 2023 marks score merit list pdf** - Nov 24 2021

web mar 12 2023 highest marks of mbbs admission test 2023 and passing marks 40 out 100 so students must be passed for merit list now you can check your merit list on dghs

[merit list of mbbs in mbbs 2013 pdf uniport edu](#) - Jul 13 2023

web jul 30 2023 merit list of mbbs in mbbs 2013 1 10 downloaded from uniport edu ng on july 30 2023 by guest oxford textbook of medical education kieran walsh 2016

☐ ☐ ☐ ☐ **mbbs medical admission result 2023 merit list** - Aug 22 2021

web sep 14 2023 pec has enabled access to the item bank system ibs for all public and private schools across all districts in punjab for this purpose url and access

[mbbs admission 2023 important dates neet results out](#) - Apr 29 2022

web may 16 2018 medical sciences people academic staff notices mbbs batch 23 batch 23 merit order list mbbs student portal notices common batch 34

*king edward medical university kemu lahore merit list 2013 - Apr 10 2023*

web 11 hours ago new delhi the department of medical education and research haryana has made the round 3 provisional merit list cum seat allotment available for

**mbbs medical admission result 2023 merit list pdf marks score - Sep 22 2021**

web mar 12 2023 the medical admission result 2022 2023 have been published on the basis of a total of 300 marks 100 marks in admission test and 200 marks in ssc equivalent

**etea mdcat result 2023 eduvison - Dec 26 2021**

web mbbs admission result 2023 marksheet mbbs result 2023 pdf download chanced students mbbs admission result 2023 marksheet mbbs result with marks 2023

**pec paper generation emis code and login sba 2023 eduvison - Jun 19 2021**

web sağlık meslek liselerinin taban puanları ve yüzdeler dilimi ile istatistiki bilgileri bölümleri başarıları ve yorumları yer almaktadır

□ □ □ □ *dghs mbbs medical admission result 2023 - May 19 2021*

pmdc mdcat result 2023 eduvison - Jul 01 2022

web aug 29 2023 neet counselling is conducted by the mcc india to offer mbbs admission 2023 in top medical colleges nta has released the omr response sheet and answer

*mbbs merit list 2023 check online pdf for mbbs merit list - Mar 29 2022*

web 2023 İstanbul medeniyet Üniversitesi taban puanları ile başarı sıralamaları açıklandı en güncel haline aşağıdaki tablodan ulaşabilirsiniz İstanbul medeniyet Üniversitesi

**İstanbul medeniyet Üniversitesi 2021 başarı - Sep 03 2022**

web sep 14 2023 pakistan medical and dental council pmdc is holding a meeting for mdcat post exam analysis students are complaining about out of syllabus mcqs wrong

merit list of mbbs in mbbs 2013 copy uniport edu - Mar 09 2023

web sep 12 2023 pmdc releases mdcat merit list 2023 karachi the preliminary merit list for mbbs and bds admissions in punjab balochistan sindh and khyber

mbbs provisional merit lists for the session 2013 14 pdf - Aug 14 2023

web description mbbs merit lists for the session 2013 14 of the khyber medical university kmu khyber institute of medical

sciences kims after few days of first merit list is

*İstanbul medeniyet Üniversitesi İmÜ 2020 taban* - Nov 05 2022

web sizler için düzenlediğimiz puanlara aşağıdaki tablodan ulaşabilirsiniz 2021 tyt ayt yks taban puanları ve başarı sıralamaları aşağıdaki gibidir dipnot burada verilen puanlar

**muş sağlık meslek liseleri taban puanları 2023 sorubak com** - Apr 17 2021

*sağlık bilimleri Üniversitesi sbÜ İstanbul 2020* - Dec 06 2022

web sep 15 2023 new delhi the department of medical education and research haryana has made the round 3 provisional merit list cum seat allotment available for

**king edward medical university kemu lahore merit** - May 11 2023

web aug 7 2023 merit list of mbbs in mbbs 2013 1 10 downloaded from uniport edu ng on august 7 2023 by guest me and medicine dr krishna mohan mishra 2013 08 19 the

**haryana neet ug 2023 merit list for mbbs bds admissions** - Oct 04 2022

web this is list of all candidates upto 90th interested candidate from complete merit list merit list is prepared as per prevailing merit formulation by pmc the provisional offer of

**mbbs medical admission result 2023 pdf merit list** - Jul 21 2021

web sep 8 2023 1st merit medical admission result 2023 today the 4 years mbbs medical admission 1st merit list has been published by the dghs authority already this result

*batch 23 merit order list faculty of medicine university of* - Feb 25 2022

web 10 september 2023 etea mdcat result 2023 will be announced on september 11 2023 etea holds the records of announcing the results of the test within 24 hours hence it is

*3rd provisional merit list for mbbs session 2022* - Aug 02 2022

web this is list of all candidates up till 90th interested candidates from complete merit list merit list is prepared as per prevailing merit formulation by pmc the provisional offer of

[haryana neet ug 2023 merit list for mbbs bds admissions](#) - Feb 08 2023

web sağlık bilimleri Üniversitesi sbÜ İstanbul taban puanları 2020 ve sağlık bilimleri Üniversitesi sbÜ İstanbul başarı sıralamaları 2020 açıklandı sizler