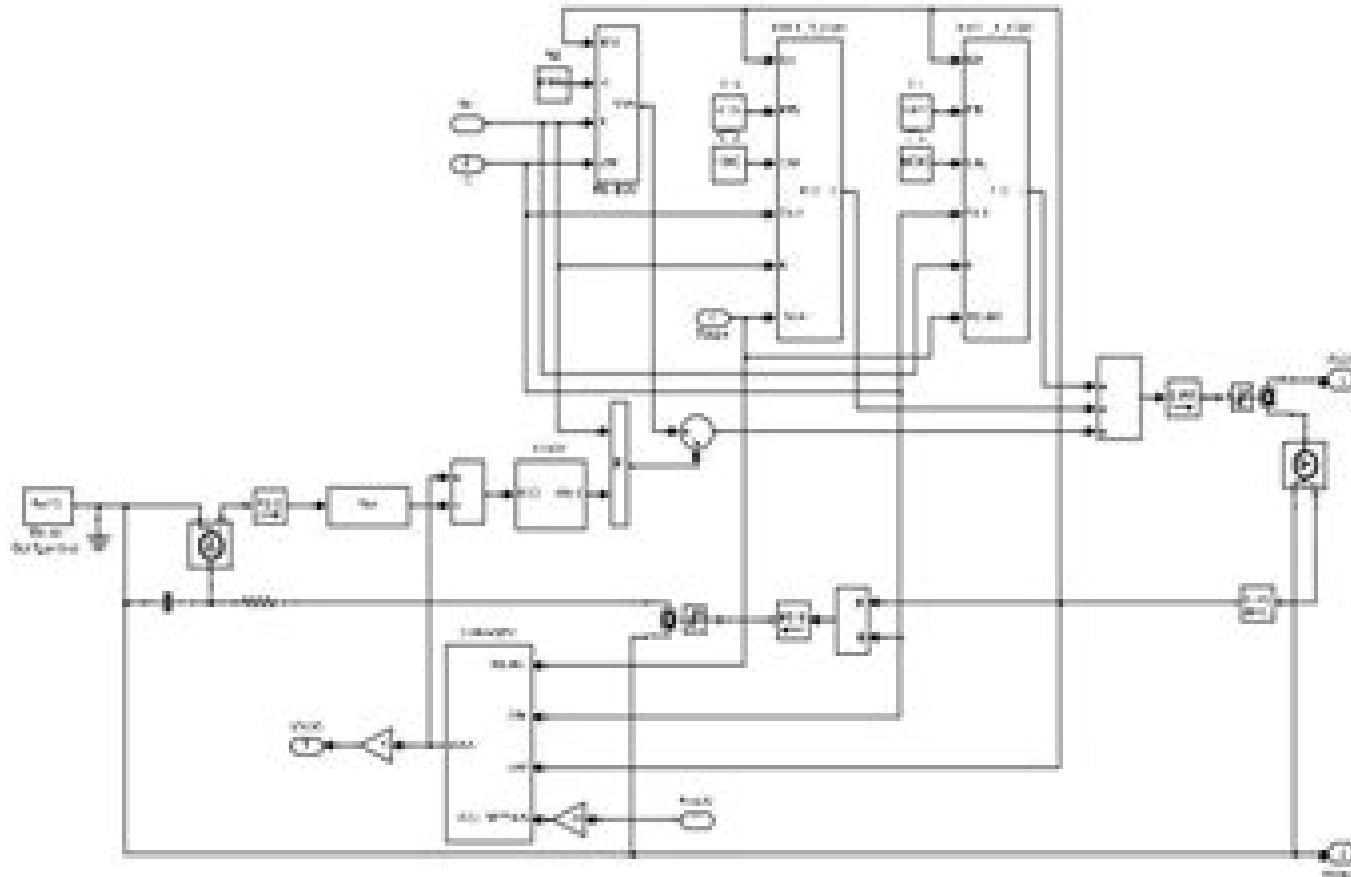


3. Simulink Model of Lithium-Ion Battery



Equivalent Circuit of Lithium-Ion Battery Model using Matlab

Modeling Of Lithium Ion Battery Using Matlab Simulink

RC Schank



Modeling Of Lithium Ion Battery Using Matlab Simulink:

This is likewise one of the factors by obtaining the soft documents of this **Modeling Of Lithium Ion Battery Using Matlab Simulink** by online. You might not require more become old to spend to go to the books start as competently as search for them. In some cases, you likewise accomplish not discover the broadcast Modeling Of Lithium Ion Battery Using Matlab Simulink that you are looking for. It will categorically squander the time.

However below, gone you visit this web page, it will be so enormously easy to get as with ease as download guide Modeling Of Lithium Ion Battery Using Matlab Simulink

It will not assume many get older as we explain before. You can complete it while statute something else at home and even in your workplace. consequently easy! So, are you question? Just exercise just what we offer below as well as review **Modeling Of Lithium Ion Battery Using Matlab Simulink** what you in the same way as to read!

https://py.bijouxmedusa.com/About/scholarship/default.aspx/Investing_Trends_USA_25_2599_Crypto_Investing_Trends_For_Entrepreneurs.pdf

Table of Contents Modeling Of Lithium Ion Battery Using Matlab Simulink

1. Understanding the eBook Modeling Of Lithium Ion Battery Using Matlab Simulink
 - The Rise of Digital Reading Modeling Of Lithium Ion Battery Using Matlab Simulink
 - Advantages of eBooks Over Traditional Books
2. Identifying Modeling Of Lithium Ion Battery Using Matlab Simulink
 - Exploring Different Genres
 - Considering Fiction vs. Non-Fiction
 - Determining Your Reading Goals
3. Choosing the Right eBook Platform
 - Popular eBook Platforms
 - Features to Look for in an Modeling Of Lithium Ion Battery Using Matlab Simulink
 - User-Friendly Interface

4. Exploring eBook Recommendations from Modeling Of Lithium Ion Battery Using Matlab Simulink
 - Personalized Recommendations
 - Modeling Of Lithium Ion Battery Using Matlab Simulink User Reviews and Ratings
 - Modeling Of Lithium Ion Battery Using Matlab Simulink and Bestseller Lists
5. Accessing Modeling Of Lithium Ion Battery Using Matlab Simulink Free and Paid eBooks
 - Modeling Of Lithium Ion Battery Using Matlab Simulink Public Domain eBooks
 - Modeling Of Lithium Ion Battery Using Matlab Simulink eBook Subscription Services
 - Modeling Of Lithium Ion Battery Using Matlab Simulink Budget-Friendly Options
6. Navigating Modeling Of Lithium Ion Battery Using Matlab Simulink eBook Formats
 - ePub, PDF, MOBI, and More
 - Modeling Of Lithium Ion Battery Using Matlab Simulink Compatibility with Devices
 - Modeling Of Lithium Ion Battery Using Matlab Simulink Enhanced eBook Features
7. Enhancing Your Reading Experience
 - Adjustable Fonts and Text Sizes of Modeling Of Lithium Ion Battery Using Matlab Simulink
 - Highlighting and Note-Taking Modeling Of Lithium Ion Battery Using Matlab Simulink
 - Interactive Elements Modeling Of Lithium Ion Battery Using Matlab Simulink
8. Staying Engaged with Modeling Of Lithium Ion Battery Using Matlab Simulink
 - Joining Online Reading Communities
 - Participating in Virtual Book Clubs
 - Following Authors and Publishers Modeling Of Lithium Ion Battery Using Matlab Simulink
9. Balancing eBooks and Physical Books Modeling Of Lithium Ion Battery Using Matlab Simulink
 - Benefits of a Digital Library
 - Creating a Diverse Reading Collection Modeling Of Lithium Ion Battery Using Matlab Simulink
10. Overcoming Reading Challenges
 - Dealing with Digital Eye Strain
 - Minimizing Distractions
 - Managing Screen Time
11. Cultivating a Reading Routine Modeling Of Lithium Ion Battery Using Matlab Simulink
 - Setting Reading Goals Modeling Of Lithium Ion Battery Using Matlab Simulink
 - Carving Out Dedicated Reading Time

12. Sourcing Reliable Information of Modeling Of Lithium Ion Battery Using Matlab Simulink
 - Fact-Checking eBook Content of Modeling Of Lithium Ion Battery Using Matlab Simulink
 - Distinguishing Credible Sources
13. Promoting Lifelong Learning
 - Utilizing eBooks for Skill Development
 - Exploring Educational eBooks
14. Embracing eBook Trends
 - Integration of Multimedia Elements
 - Interactive and Gamified eBooks

Modeling Of Lithium Ion Battery Using Matlab Simulink Introduction

Modeling Of Lithium Ion Battery Using Matlab Simulink Offers over 60,000 free eBooks, including many classics that are in the public domain. Open Library: Provides access to over 1 million free eBooks, including classic literature and contemporary works. Modeling Of Lithium Ion Battery Using Matlab Simulink Offers a vast collection of books, some of which are available for free as PDF downloads, particularly older books in the public domain. Modeling Of Lithium Ion Battery Using Matlab Simulink : This website hosts a vast collection of scientific articles, books, and textbooks. While it operates in a legal gray area due to copyright issues, its a popular resource for finding various publications. Internet Archive for Modeling Of Lithium Ion Battery Using Matlab Simulink : Has an extensive collection of digital content, including books, articles, videos, and more. It has a massive library of free downloadable books. Free-eBooks Modeling Of Lithium Ion Battery Using Matlab Simulink Offers a diverse range of free eBooks across various genres. Modeling Of Lithium Ion Battery Using Matlab Simulink Focuses mainly on educational books, textbooks, and business books. It offers free PDF downloads for educational purposes. Modeling Of Lithium Ion Battery Using Matlab Simulink Provides a large selection of free eBooks in different genres, which are available for download in various formats, including PDF. Finding specific Modeling Of Lithium Ion Battery Using Matlab Simulink, especially related to Modeling Of Lithium Ion Battery Using Matlab Simulink, might be challenging as theyre often artistic creations rather than practical blueprints. However, you can explore the following steps to search for or create your own Online Searches: Look for websites, forums, or blogs dedicated to Modeling Of Lithium Ion Battery Using Matlab Simulink, Sometimes enthusiasts share their designs or concepts in PDF format. Books and Magazines Some Modeling Of Lithium Ion Battery Using Matlab Simulink books or magazines might include. Look for these in online stores or libraries. Remember that while Modeling Of Lithium Ion Battery Using Matlab Simulink, sharing copyrighted material without permission is not legal. Always ensure youre either creating your own or obtaining them from legitimate sources that

allow sharing and downloading. Library Check if your local library offers eBook lending services. Many libraries have digital catalogs where you can borrow Modeling Of Lithium Ion Battery Using Matlab Simulink eBooks for free, including popular titles. Online Retailers: Websites like Amazon, Google Books, or Apple Books often sell eBooks. Sometimes, authors or publishers offer promotions or free periods for certain books. Authors Website Occasionally, authors provide excerpts or short stories for free on their websites. While this might not be the Modeling Of Lithium Ion Battery Using Matlab Simulink full book, it can give you a taste of the authors writing style. Subscription Services Platforms like Kindle Unlimited or Scribd offer subscription-based access to a wide range of Modeling Of Lithium Ion Battery Using Matlab Simulink eBooks, including some popular titles.

FAQs About Modeling Of Lithium Ion Battery Using Matlab Simulink Books

1. Where can I buy Modeling Of Lithium Ion Battery Using Matlab Simulink books? Bookstores: Physical bookstores like Barnes & Noble, Waterstones, and independent local stores. Online Retailers: Amazon, Book Depository, and various online bookstores offer a wide range of books in physical and digital formats.
2. What are the different book formats available? Hardcover: Sturdy and durable, usually more expensive. Paperback: Cheaper, lighter, and more portable than hardcovers. E-books: Digital books available for e-readers like Kindle or software like Apple Books, Kindle, and Google Play Books.
3. How do I choose a Modeling Of Lithium Ion Battery Using Matlab Simulink book to read? Genres: Consider the genre you enjoy (fiction, non-fiction, mystery, sci-fi, etc.). Recommendations: Ask friends, join book clubs, or explore online reviews and recommendations. Author: If you like a particular author, you might enjoy more of their work.
4. How do I take care of Modeling Of Lithium Ion Battery Using Matlab Simulink books? Storage: Keep them away from direct sunlight and in a dry environment. Handling: Avoid folding pages, use bookmarks, and handle them with clean hands. Cleaning: Gently dust the covers and pages occasionally.
5. Can I borrow books without buying them? Public Libraries: Local libraries offer a wide range of books for borrowing. Book Swaps: Community book exchanges or online platforms where people exchange books.
6. How can I track my reading progress or manage my book collection? Book Tracking Apps: Goodreads, LibraryThing, and Book Catalogue are popular apps for tracking your reading progress and managing book collections. Spreadsheets: You can create your own spreadsheet to track books read, ratings, and other details.
7. What are Modeling Of Lithium Ion Battery Using Matlab Simulink audiobooks, and where can I find them? Audiobooks:

Audio recordings of books, perfect for listening while commuting or multitasking. Platforms: Audible, LibriVox, and Google Play Books offer a wide selection of audiobooks.

8. How do I support authors or the book industry? Buy Books: Purchase books from authors or independent bookstores. Reviews: Leave reviews on platforms like Goodreads or Amazon. Promotion: Share your favorite books on social media or recommend them to friends.
9. Are there book clubs or reading communities I can join? Local Clubs: Check for local book clubs in libraries or community centers. Online Communities: Platforms like Goodreads have virtual book clubs and discussion groups.
10. Can I read Modeling Of Lithium Ion Battery Using Matlab Simulink books for free? Public Domain Books: Many classic books are available for free as they're in the public domain. Free E-books: Some websites offer free e-books legally, like Project Gutenberg or Open Library.

Find Modeling Of Lithium Ion Battery Using Matlab Simulink :

[investing trends USA 25-2599](#) [crypto investing trends for entrepreneurs](#)
[blockchain development blueprint America 25-1371](#) [blockchain development](#)
[comparison for creators 25-2213](#) [resume writing examples America 25-362](#)
[creators 25-80](#) [resume writing tutorial for entrepreneurs 25-147](#) [resume](#)
[States 25-1571](#) [mental wellness for beginners for creators 25-1568](#) [mental](#)
[marketing examples for small business 25-2671](#) [AI marketing explained USA](#)
[careers blueprint United States 25-2950](#) [data science careers blueprint](#)
[25-901](#) [ecommerce trends trends for creators 25-405](#) [ecommerce trends](#)
[crypto investing case study for startups 25-371](#) [crypto investing](#)
[interview tips blueprint for entrepreneurs 25-2787](#) [interview tips](#)
[home tech strategies for creators 25-2590](#) [smart home tech strategies for](#)
[25-1045](#) [TikTok marketing roadmap for creators 25-799](#) [TikTok marketing](#)
[recipes tools for entrepreneurs 25-2569](#) [healthy recipes trends America](#)
[app ideas trends USA 25-1020](#) [mobile app ideas trends for entrepreneurs](#)
[25-2283](#) [YouTube growth strategies for entrepreneurs 25-2337](#) [YouTube](#)

Modeling Of Lithium Ion Battery Using Matlab Simulink :

the art of the racing motorcycle 100 years of designing for - Oct 10 2022

web buy the art of the racing motorcycle 100 years of designing for speed illustrated by tooth phillip praderes jean pierre isbn 9780789322135 from amazon s book store everyday low prices and free delivery on eligible orders

the art of the racing motorcycle amazon in - Jun 06 2022

web the dynamic between competition and design has always fueled the evolution of racing motorcycles and inspired astonishing feats of design and engineering this book traces the development of the sport bike from the earliest french motorcycles to the dominance of british machinery in the 1930s the exotic italian motorcycles of the 1950s and

the intersection of art and motorcycles exploring the creative - May 05 2022

web apr 12 2023 tom fritz an award winning automotive artist showcases his love for motorcycles and hot rods through his stunning paintings by capturing the essence of speed and movement fritz s artwork brings the two wheeled machines to life making viewers feel the wind in their hair and the roar of the engine these artists have skillfully

the art and science of motorcycle road racing archive org - Jul 19 2023

web dec 31 2014 the art and science of motorcycle road racing with a foreword by three times world champion kenny roberts and contributions from the world s leading riders and engineers this book is the leading authority on the art

the art of the racing motorcycle 100 years of designing for speed - Aug 20 2023

web mar 22 2011 this book traces the development of the sport bike from the earliest french motorcycles to the dominance of british machinery in the 1930s the exotic italian motorcycles of the 1950s and 1960s the influence of american racing in the 1970s and 1980s and today s japanese superbikes

the art of the racing motorcycle 100 years of designing for - Feb 14 2023

web this book traces the development of the sport bike from the earliest french motorcycles to the dominance of british machinery in the 1930s the exotic italian motorcycles of the 1950s and 1960s the influence of american racing in the

[the art of the motorcycle the guggenheim museums and foundation](#) - Aug 08 2022

web the art of the motorcycle one hundred and thirty years ago neither the bicycle nor the engine existed in the forms we are familiar with in 1868 louis perreaux patented a design for a steam engine installed in the first commercially successful pedal bicycle by 1894 the hildebrand brothers and alois wolfmüller had patented a water cooled

[the art of motorcycle racing abebooks](#) - Mar 03 2022

web nov 17 2014 zen and the art of racing motorcycles book the art of the racing motorcycle 100 years of designing for speed tooth phillip published by universe 2011 isbn 10 0789322137 isbn 13 9780789322135 seller worldofbooks gorng by sea ws united kingdom

the art of the racing motorcycle booktopia - Jan 01 2022

web a lavishly illustrated and definitive look at the design evolution of the racing motorcycle the dynamic between competition and design has always fueled the evolution of racing motorcycles and inspired astonishing feats of design and engineering

the art of the racing motorcycle vintage motor - Sep 09 2022

web the art of the racing motorcycle written by philip tooth photography by jean pierre pradÈres 100 years of designing for speed print 2014 a lavishly illustrated and definitive look at the design evolution of the racing motorcycle the dynamic between

tvS motor announces e racing championship for 2 wheelers - Feb 02 2022

web 6 hours ago tvS motor company ltd tvsm has developed an electric race motorbike the tvS apache rte racing throttle electric that would take part in the electric two wheeler racing championship to be

the art of the racing motorcycle 100 years of designing for - Jul 07 2022

web the art of the racing motorcycle 100 years of designing for speed by tooth phillip isbn 10 0789322137 isbn 13 9780789322135 universe 2011 hardcover

the art of the racing motorcycle 100 years of designing for speed - Dec 12 2022

web the dynamic between competition and design has always fueled the evolution of racing motorcycles and inspired astonishing feats of design and engineering this book traces the development of the sport bike from the earliest french motorcycles to the dominance of british machinery in the 1930s the exotic italian motorcycles of the 1950s and

the art of the racing motorcycle 100 years of designing for speed - Mar 15 2023

web mar 22 2011 the dynamic between competition and design has always fueled the evolution of racing motorcycles and inspired astonishing feats of design and engineering this book traces the development of the sport bike from the earliest french motorcycles to the dominance of british machinery in the 1930s the exotic italian motorcycles of the

art of racing medium - Apr 04 2022

web read writing from art of racing on medium art of racing is one of the leading motorcycle parts manufacturers in europe and motorcycle parts for commuting and racing website artofracing

the art of the racing motorcycle 100 years of designing for - Jun 18 2023

web mar 22 2011 this book traces the development of the sport bike from the earliest french motorcycles to the dominance of british machinery in the 1930s the exotic italian motorcycles of the 1950s and 1960s the influence of american racing in the 1970s and 1980s and today s japanese superbikes

the art of the racing motorcycle 100 years of designing for - Nov 11 2022

web mar 22 2011 more than fifty classic motorcycles from harley davidsons to peugeots velocettes moto guzzis bmws kawasakis and ducatis are presented chronologically illustrated with stunning studio photographs that present the machines as works of art and wonders of design in themselves accompanied by rare and beautiful archival images

the art of the racing motorcycle the motor bookstore - Jan 13 2023

web there s coverage for some of the most respected bikes ever including the 1902 manon the 1935 terrot 500 the 1965 honda gp 250 and the 1990 ducati supermono due to the popularity and competition the motorcycle is easily one

the art of the racing motorcycle 100 years of designin - May 17 2023

web mar 22 2011 this book traces the development of the sport bike from the earliest french motorcycles to the dominance of british machinery in the 1930s the exotic italian motorcycles of the 1950s and 1960s the influence of american racing in the 1970s and 1980s and today s japanese superbikes

book the art of the racing motorcycle heroesmotors com - Apr 16 2023

web book the art of the racing motorcycle a lavishly illustrated and definitive look at the design evolution of the racing motorcycle the dynamic between competition and design has always fueled the evolution of racing motorcycles and inspired astonishing feats of design and engineering

handbook on the psychology of pricing 100 effects on - Feb 08 2023

web handbook on the psychology of pricing 100 effects on persuasion and influence every entrepreneur marketer and pricing manager needs to know ebook husemann

handbook on the psychology of pricing 100 effects on - Jan 27 2022

amazon com handbook on the psychology of pricing - May 11 2023

web oct 5 2018 handbook on the psychology of pricing 100 effects on persuasion and influence every entrepreneur marketer and pricing manager needs to know

handbook on the psychology of pricing 100 effects - Jul 13 2023

web handbook on the psychology of pricing 100 effects on persuasion and influence every entrepreneur marketer and pricing manager needs to know husemann

pdf download handbook on the psychology of pricing 100 - Feb 25 2022

web is handbook on the psychology of pricing 100 effects below the oxford handbook of exercise psychology edmund o acevedo 2012 04 13 awareness of the importance of

handbook on the psychology of pricing 100 effects on - Jun 12 2023

web handbook on the psychology of pricing 100 effects on persuasion and influence every entrepreneur marketer and pricing

manager needs to know husemann

handbook on the psychology of pricing 100 effects on - Dec 26 2021

handbook on the psychology of pricing 100 effects on - Apr 10 2023

web new effects for download in exclusive readers area 2023 update out now please find instan handbook on the psychology of pricing 100 effects on

handbook on the psychology of pricing 100 effects on - Dec 06 2022

web handbook on the psychology of pricing 100 effects on persuasion and influence every entrepreneur marketer and pricing manager needs to know ebook husemann

handbook on the psychology of pricing 100 effects on - Aug 14 2023

web oct 5 2018 handbook on the psychology of pricing 100 effects on persuasion and influence every entrepreneur marketer and pricing manager needs to know

pdf download handbook on the psychology of pricing 100 - Apr 29 2022

web handbook on the psychology of pricing 100 effects on persuasion and influence every entrepreneur marketer and pricing manager needs to know von husemann

handbook on the psychology of pricing 100 effects on - Nov 05 2022

web jul 30 2022 download pdf handbook on the psychology of pricing 100 effects on persuasion and influence every entrepreneur marketer and pricing manager needs

handbook on the psychology of pricing 100 effects on - Jul 01 2022

web abebooks com handbook on the psychology of pricing 100 effects on persuasion and influence every entrepreneur marketer and pricing manager needs to know

handbook on the psychology of pricing 100 effects on - May 31 2022

web may 28 2023 ebook handbook on the psychology of pricing 100 effects on persuasion and influence every entrepreneur marketer and pricing manager needs to

handbook on the psychology of pricing 100 effects on - Sep 03 2022

web handbook on the psychology of pricing 100 effects on persuasion and influence every entrepreneur marketer and pricing manager needs to know husemann

download pdf handbook on the psychology of pricing - Aug 02 2022

web nov 8 2020 ebook p d f handbook on the psychology of pricing 100 effects on persuasion and influence every entrepreneur marketer and pricing manager needs to

handbook on the psychology of pricing 100 effects on - Oct 04 2022

web handbook on the psychology of pricing 100 effects on persuasion and influence every entrepreneur marketer and pricing manager needs to know husemann kopetzky

handbook on the psychology of pricing 100 effects on - Jan 07 2023

web handbook on the psychology of pricing 100 effects on persuasion and influence every entrepreneur marketer and pricing manager needs to know kindle edition by

handbook on the psychology of pricing 100 effects on - Mar 29 2022

web handbook on the psychology of pricing 100 effects on persuasion and influence every entrepreneur marketer and pricing manager needs to know english edition by

handbook on the psychology of pricing 100 effects on - Mar 09 2023

web handbook on the psychology of pricing 100 effects on persuasion and influence every entrepreneur marketer and pricing manager needs to know buy online at best

handbook on the psychology of pricing 100 effects - Nov 24 2021

divine justice camel club book 4 english edition - Mar 10 2023

web explosive and enthralling david baldacci s divine justice is the fourth novel in his bestselling camel club series known by his alias oliver stone john carr is the most wanted man in america with two pulls of the trigger the men who hid the truth of stone s past and kept him in the shadows were finally silenced

divine justice the camel club book 4 kindle edition - Jun 13 2023

web oct 17 2008 with a master spy and the u s government after him former cia assassin oliver stone is america s most wanted man but escaping d c won t protect him from a lethal world of political corruption in this 1 new york times bestselling thriller known by his alias oliver stone john carr is the most wanted man in america

divine justice the camel club baldacci david amazon in - Jul 02 2022

web explosive and enthralling david baldacci s divine justice is the fourth novel in his bestselling camel club series known by his alias oliver stone john carr is the most wanted man in america

divine justice the camel club book 4 kindle edition - Nov 06 2022

web divine justice the camel club book 4 kindle edition known by his alias oliver stone john carr is the most wanted man in america with two pulls of the trigger the men who hid the truth of stone s past and kept him in the shadows were finally silenced

divine justice camel club book 4 english edition kindle edition - Apr 11 2023

web divine justice camel club book 4 english edition ebook baldacci david amazon de kindle store

loading interface goodreads - Mar 30 2022

web discover and share books you love on goodreads

editions divine justice by david baldacci librarything - Dec 07 2022

web divine justice the camel club series 4 hardback david baldacci manual entry 1 copy separate divine justice the camel club series 4 softback david baldacci manual entry 1 copy separate divine justice the camel club series book 4 baldacci david 1 copy separate de rechtvaardigen baldacci david isbn 9044960113 1 copy

divine justice novel wikipedia - Aug 03 2022

web divine justice is a crime novel written by american author david baldacci this is the fourth installment to feature the camel club the book was initially published on november 4 2008 by grand central publishing

divine justice camel club series kindle edition amazon com - Feb 26 2022

web nov 4 2008 divine justice camel club series kindle edition by baldacci david download it once and read it on your kindle device pc phones or tablets use features like bookmarks note taking and highlighting while reading divine justice camel club series

divine justice camel club series english edition - Feb 09 2023

web compre divine justice camel club series english edition de baldacci david na amazon com br confira também os ebooks mais vendidos lançamentos e livros digitais exclusivos divine justice camel club series english edition ebooks em

divine justice the camel club book 4 kindle edition - Dec 27 2021

web jan 8 2008 divine justice the camel club book 4 kindle edition by baldacci david download it once and read it on your kindle device pc phones or tablets use features like bookmarks note taking and highlighting while reading divine justice the

[divine justice the camel club book 4 kindle edition amazon ca](#) - Oct 05 2022

web divine justice the camel club book 4 kindle edition by david baldacci author format kindle edition 4 6 13 756 ratings book 4 of 5 the camel club see all formats and editions kindle edition 12 99 read with our free app

divine justice camel club series english edition edición kindle - Sep 04 2022

web divine justice camel club series english edition ebook baldacci david amazon com mx tienda kindle

divine justice camel club book 4 kindle edition amazon com - Jan 28 2022

web oct 23 2008 audiobook 0 00 free with your audible trial explosive and enthralling david baldacci s divine justice is the fourth novel in his bestselling camel club series known by his alias oliver stone john carr is the most wanted man in america

divine justice camel club series 4 ebook barnes noble - Jun 01 2022

web nov 4 2008 in baldacci s fourth novel after stone cold in his camel club series oliver stone aka john carr ex cia assassin

is wanted dead by his enemies and alive by his friends stone is on the run after assassinating the two men responsible for the death of his family and his friend milton

divine justice the camel club 4 by david baldacci goodreads - May 12 2023

web nov 4 2008 follow oliver stone in another adventure this time he is being hunted for the two murders he committed divine justice is another camel club novel this time set in divine a small mining town in virginia this book continues the brand but it can be read as a standalone novel as there is loads of back story about oliver

divine justice the camel club book 4 ebook by david baldacci - Apr 30 2022

web isbn 9781743035153 isbn 10 1743035152 series the camel club book 4 audience general format epub language english number of pages 400 published 8th january 2008 publisher pan macmillan uk volume number 4

divine justice the camel club 4 amazon co uk - Jul 14 2023

web apr 19 2018 explosive and enthralling david baldacci s divine justice is the fourth novel in his bestselling camel club series known by his alias oliver stone john carr is the most wanted man in america with two pulls of the trigger the men who hid the truth of stone s past and kept him in the shadows were finally silenced

divine justice the camel club 4 by david baldacci goodreads - Jan 08 2023

web divine justice book read 1 677 reviews from the world s largest community for readers what s the central theme in divine justice oliver stone is th

divine justice camel club series amazon com - Aug 15 2023

web with two pulls of the trigger the men who destroyed stone s life and kept him in the shadows were finally silenced but his freedom comes at a steep price the assassinations he carried out prompt the highest levels of the u s