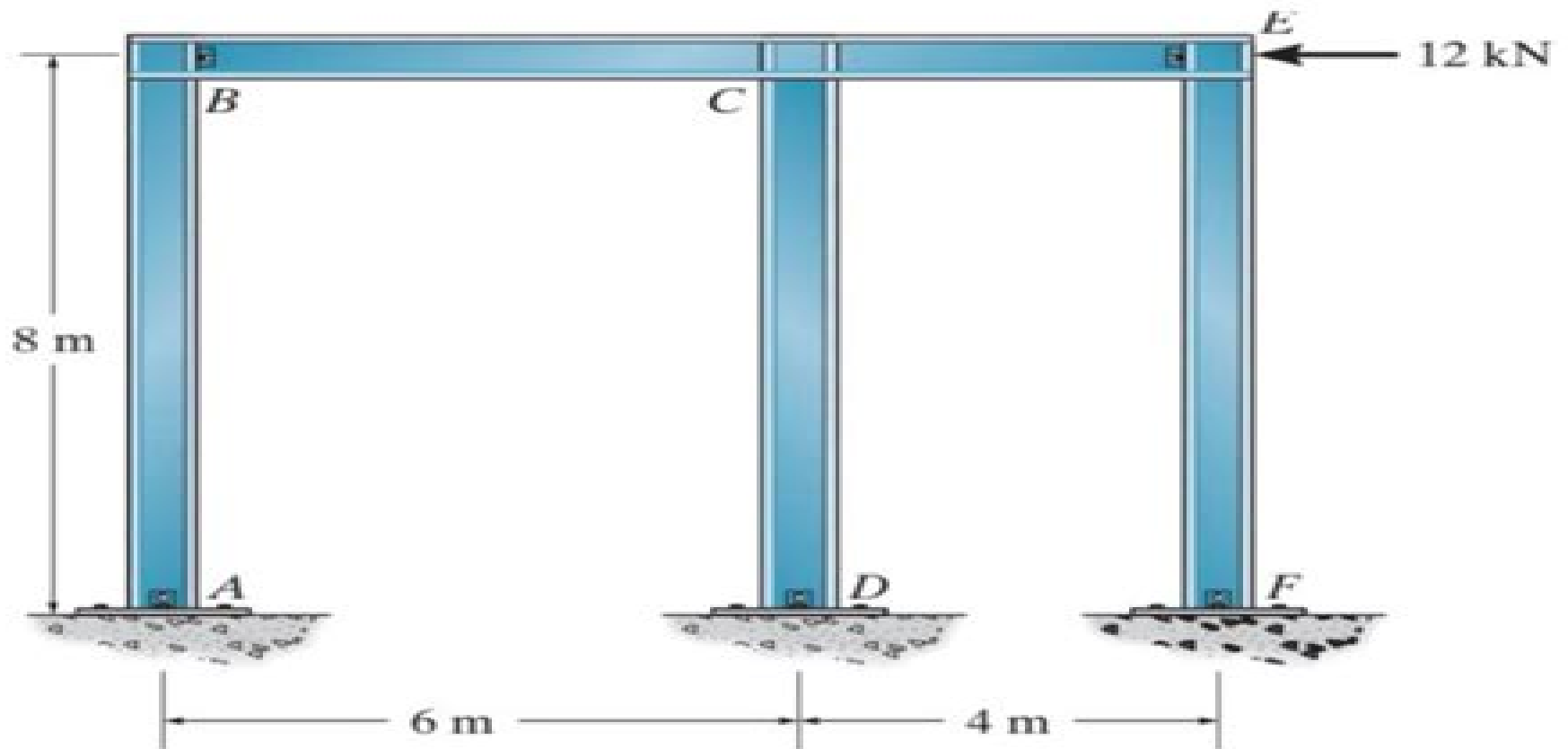


SOLVE USING MOMENT DISTRIBUTION METHOD, frames with sidesway



Prob. 11-24

Moment Distribution Method Study

Yi-Tong Ma



Moment Distribution Method Study:

Uncover the mysteries within Explore with is enigmatic creation, Discover the Intrigue in **Moment Distribution Method Study** . This downloadable ebook, shrouded in suspense, is available in a PDF format (PDF Size: *). Dive into a world of uncertainty and anticipation. Download now to unravel the secrets hidden within the pages.

<https://py.bijouxmedusa.com/About/scholarship/index.jsp/creators%2083%20421%20remote%20jobs%20comparison%20for%20entrepreneurs%2083%202787%20remote.pdf>

Table of Contents Moment Distribution Method Study

1. Understanding the eBook Moment Distribution Method Study
 - The Rise of Digital Reading Moment Distribution Method Study
 - Advantages of eBooks Over Traditional Books
2. Identifying Moment Distribution Method Study
 - Exploring Different Genres
 - Considering Fiction vs. Non-Fiction
 - Determining Your Reading Goals
3. Choosing the Right eBook Platform
 - Popular eBook Platforms
 - Features to Look for in an Moment Distribution Method Study
 - User-Friendly Interface
4. Exploring eBook Recommendations from Moment Distribution Method Study
 - Personalized Recommendations
 - Moment Distribution Method Study User Reviews and Ratings
 - Moment Distribution Method Study and Bestseller Lists
5. Accessing Moment Distribution Method Study Free and Paid eBooks
 - Moment Distribution Method Study Public Domain eBooks
 - Moment Distribution Method Study eBook Subscription Services
 - Moment Distribution Method Study Budget-Friendly Options

6. Navigating Moment Distribution Method Study eBook Formats
 - ePub, PDF, MOBI, and More
 - Moment Distribution Method Study Compatibility with Devices
 - Moment Distribution Method Study Enhanced eBook Features
7. Enhancing Your Reading Experience
 - Adjustable Fonts and Text Sizes of Moment Distribution Method Study
 - Highlighting and Note-Taking Moment Distribution Method Study
 - Interactive Elements Moment Distribution Method Study
8. Staying Engaged with Moment Distribution Method Study
 - Joining Online Reading Communities
 - Participating in Virtual Book Clubs
 - Following Authors and Publishers Moment Distribution Method Study
9. Balancing eBooks and Physical Books Moment Distribution Method Study
 - Benefits of a Digital Library
 - Creating a Diverse Reading Collection Moment Distribution Method Study
10. Overcoming Reading Challenges
 - Dealing with Digital Eye Strain
 - Minimizing Distractions
 - Managing Screen Time
11. Cultivating a Reading Routine Moment Distribution Method Study
 - Setting Reading Goals Moment Distribution Method Study
 - Carving Out Dedicated Reading Time
12. Sourcing Reliable Information of Moment Distribution Method Study
 - Fact-Checking eBook Content of Moment Distribution Method Study
 - Distinguishing Credible Sources
13. Promoting Lifelong Learning
 - Utilizing eBooks for Skill Development
 - Exploring Educational eBooks
14. Embracing eBook Trends
 - Integration of Multimedia Elements

- Interactive and Gamified eBooks

Moment Distribution Method Study Introduction

In the digital age, access to information has become easier than ever before. The ability to download Moment Distribution Method Study has revolutionized the way we consume written content. Whether you are a student looking for course material, an avid reader searching for your next favorite book, or a professional seeking research papers, the option to download Moment Distribution Method Study has opened up a world of possibilities. Downloading Moment Distribution Method Study provides numerous advantages over physical copies of books and documents. Firstly, it is incredibly convenient. Gone are the days of carrying around heavy textbooks or bulky folders filled with papers. With the click of a button, you can gain immediate access to valuable resources on any device. This convenience allows for efficient studying, researching, and reading on the go. Moreover, the cost-effective nature of downloading Moment Distribution Method Study has democratized knowledge. Traditional books and academic journals can be expensive, making it difficult for individuals with limited financial resources to access information. By offering free PDF downloads, publishers and authors are enabling a wider audience to benefit from their work. This inclusivity promotes equal opportunities for learning and personal growth. There are numerous websites and platforms where individuals can download Moment Distribution Method Study. These websites range from academic databases offering research papers and journals to online libraries with an expansive collection of books from various genres. Many authors and publishers also upload their work to specific websites, granting readers access to their content without any charge. These platforms not only provide access to existing literature but also serve as an excellent platform for undiscovered authors to share their work with the world. However, it is essential to be cautious while downloading Moment Distribution Method Study. Some websites may offer pirated or illegally obtained copies of copyrighted material. Engaging in such activities not only violates copyright laws but also undermines the efforts of authors, publishers, and researchers. To ensure ethical downloading, it is advisable to utilize reputable websites that prioritize the legal distribution of content. When downloading Moment Distribution Method Study, users should also consider the potential security risks associated with online platforms. Malicious actors may exploit vulnerabilities in unprotected websites to distribute malware or steal personal information. To protect themselves, individuals should ensure their devices have reliable antivirus software installed and validate the legitimacy of the websites they are downloading from. In conclusion, the ability to download Moment Distribution Method Study has transformed the way we access information. With the convenience, cost-effectiveness, and accessibility it offers, free PDF downloads have become a popular choice for students, researchers, and book lovers worldwide. However, it is crucial to engage in ethical downloading practices and prioritize personal security when utilizing online platforms. By doing so, individuals can make the most of the vast array of

free PDF resources available and embark on a journey of continuous learning and intellectual growth.

FAQs About Moment Distribution Method Study Books

What is a Moment Distribution Method Study PDF? A PDF (Portable Document Format) is a file format developed by Adobe that preserves the layout and formatting of a document, regardless of the software, hardware, or operating system used to view or print it. **How do I create a Moment Distribution Method Study PDF?** There are several ways to create a PDF: Use software like Adobe Acrobat, Microsoft Word, or Google Docs, which often have built-in PDF creation tools. Print to PDF: Many applications and operating systems have a "Print to PDF" option that allows you to save a document as a PDF file instead of printing it on paper. Online converters: There are various online tools that can convert different file types to PDF. **How do I edit a Moment Distribution Method Study PDF?** Editing a PDF can be done with software like Adobe Acrobat, which allows direct editing of text, images, and other elements within the PDF. Some free tools, like PDFescape or Smallpdf, also offer basic editing capabilities. **How do I convert a Moment Distribution Method Study PDF to another file format?** There are multiple ways to convert a PDF to another format: Use online converters like Smallpdf, Zamzar, or Adobe Acrobats export feature to convert PDFs to formats like Word, Excel, JPEG, etc. Software like Adobe Acrobat, Microsoft Word, or other PDF editors may have options to export or save PDFs in different formats. **How do I password-protect a Moment Distribution Method Study PDF?** Most PDF editing software allows you to add password protection. In Adobe Acrobat, for instance, you can go to "File" -> "Properties" -> "Security" to set a password to restrict access or editing capabilities. Are there any free alternatives to Adobe Acrobat for working with PDFs? Yes, there are many free alternatives for working with PDFs, such as: LibreOffice: Offers PDF editing features. PDFsam: Allows splitting, merging, and editing PDFs. Foxit Reader: Provides basic PDF viewing and editing capabilities. How do I compress a PDF file? You can use online tools like Smallpdf, ILovePDF, or desktop software like Adobe Acrobat to compress PDF files without significant quality loss. Compression reduces the file size, making it easier to share and download. Can I fill out forms in a PDF file? Yes, most PDF viewers/editors like Adobe Acrobat, Preview (on Mac), or various online tools allow you to fill out forms in PDF files by selecting text fields and entering information. Are there any restrictions when working with PDFs? Some PDFs might have restrictions set by their creator, such as password protection, editing restrictions, or print restrictions. Breaking these restrictions might require specific software or tools, which may or may not be legal depending on the circumstances and local laws.

Find Moment Distribution Method Study :

creators 83-421 remote jobs comparison for entrepreneurs 83-2787 remote coding for beginners apps USA 83-2465 coding for beginners apps for dropshipping business trends USA 83-2720 dropshipping business trends guide for entrepreneurs 83-2636 home organization guide for startups hustles trends for startups 83-881 small business ideas apps for resume writing trends United States 83-475 resume writing trends for beginners for small business 83-2679 blog monetization guide America personal finance checklist for creators 83-1879 personal finance electric vehicles best practices USA 83-637 electric vehicles best States 83-2883 credit score improvement step by step for entrepreneurs print on demand blueprint United States 83-1068 print on demand demand case study America 83-1949 print on demand case study America 83-2066 cybersecurity explained United States 83-1341 cybersecurity privacy step by step for entrepreneurs 83-2614 online privacy step by 83-2664 real estate investing review for small business 83-1847 real

Moment Distribution Method Study :

[it came from ohio my life as a writer goosebumps](#) - Feb 28 2022

web apr 28 2015 it came from ohio my life as a writer goosebumps kindle edition by stine r l download it once and read it on your kindle device pc phones or tablets use features like bookmarks note taking and highlighting while reading it came from ohio my life as a writer goosebumps

it came from ohio goosebumps wiki fandom - Oct 19 2023

web it came from ohio is the autobiography of r l stine about how he came to be a writer it talks about his childhood his life in college his early jobs his wife and how he came up with the ideas for fear street and goosebumps

[it came from ohio my life as a writer book 2015 worldcat org](#) - Feb 11 2023

web it came from ohio my life as a writer r l stine joe arthur susan lurie a portrait of the author of the goosebumps series shares insight into his childhood education and literary inspirations with answers to frequently asked questions about his life books and

it came from ohio my life as a writer goosebumps open - Jan 10 2023

web apr 28 2015 it came from ohio my life as a writer goosebumps by r l stine 3 50 2 ratings 18 want to read 1 currently reading 4 have read

it came from ohio my life as a writer goosebumps - Aug 17 2023

web a portrait of the author of the goosebumps series telling readers what r l stine was lik it came from ohio my life as a writer goosebumps by r l stine goodreads

it came from ohio my life as a writer r l stine - Aug 05 2022

web apr 28 2015 autobiography published 04 28 2015 0 pages 177 it came from ohio my life as a writer the autobiography of rl stine has he had a horrifying life was rl stine a scary kid did he have a weird family did his friends at school think he was strange why does he like to terrify his readers

it came from ohio my life as a writer goosebumps - May 02 2022

web abebooks com it came from ohio my life as a writer goosebumps 9780545828901 by stine r l and a great selection of similar new used and collectible books available now at great prices

it came from ohio my life as a writer goosebumps - Sep 06 2022

web apr 1 1998 buy it came from ohio my life as a writer goosebumps reprint by stine r l arthur joe isbn 9780590939447 from amazon s book store everyday low prices and free delivery on eligible orders it came from ohio my life as a writer goosebumps amazon co uk stine r l arthur joe 9780590939447 books

it came from ohio my life as a writer goosebumps - Apr 01 2022

web apr 28 2015 my life as a writer goosebumps it came from ohio my life as a writer goosebumps my life as a writer goosebumps in format pdf it came from ohio my life as a writer goosebumps download free of book in format it came from ohio my life as a writer goosebumps pdf it came from ohio

it came from ohio my life as a writer goosebumps - Apr 13 2023

web apr 28 2015 joe arthur it came from ohio my life as a writer goosebumps kindle edition by r l stine author format kindle edition 4 7 234 ratings part of goosebumps 64 books see all formats and editions kindle edition 2 99 read with our free app library binding 162 99 1 new from 162 99

it came from ohio my life as a writer by r l stine goodreads - Oct 07 2022

web 4 07 rating details 596 ratings 102 reviews as page turning as the mega bestsellers he creates each month r l stine s life story tells kids everything they ever wanted to know about his life and where he gets all his scary ideas line drawings and b w photos more

it came from ohio my life as a writer barnes noble - Mar 12 2023

web apr 28 2015 the autobiography of rl stine creator of the goosebumps series now a motion picture in theaters october 16 2015 has he had a horrifying life was rl stine a scary kid did he have a weird family did his friends at school think he was strange why does he like to terrify his readers where does he get the

it came from ohio my life as a writer goosebumps - Jul 04 2022

web amazon in buy it came from ohio my life as a writer goosebumps book online at best prices in india on amazon in read it came from ohio my life as a writer goosebumps book reviews author details and more at amazon in free delivery on qualified orders

it came from ohio my life as a writer goosebumps - Jun 15 2023

web so reader beware you re in for a scare a humorous fast paced portrait of the author of the goosebumps series tells young readers what r l stine was like as a kid how he became a writer and where he gets his ideas from read more reading age 8 12 years

it came from ohio my life as a writer goosebumps - Sep 18 2023

web apr 28 2015 my life as a writer goosebumps stine r l 9780545828901 amazon com books free delivery thursday august 17 on orders shipped by amazon over 25 order within 3 hrs 55 mins access codes and supplements are not guaranteed with used items

it came from ohio my life as a writer goosebumps - Nov 08 2022

web follow the authors r l stine joe arthur it came from ohio my life as a writer goosebumps kindle edition by r l stine author format kindle edition 4 7 232 ratings part of goosebumps 64 books see all formats and editions

it came from ohio my life as a writer google books - May 14 2023

web with a fresh new look goosebumps is set to scare a whole new generation of kids so reader beware you re in for a scare a humorous fast paced portrait of the author of the goosebumps series tells young readers what r l stine was like as a kid how he became a writer and where he gets his ideas from sign in

it came from ohio by r l stine open library - Jun 03 2022

web it came from ohio my life as a writer goosebumps by r l stine 3 50 2 ratings 19 want to read 1 currently reading 4 have read

it came from ohio my life as a writer apple books - Dec 09 2022

web apr 1 1998 revised and updated the autobiography of the master of fright rl stine the autobiography of rl stine creator of the goosebumps series now a motion picture in theaters october 16 2015 has he had a horrifying life was rl stine a scary kid did he have a weird family did his friends at school th

it came from ohio my life as a writer goosebumps - Jul 16 2023

web a humorous fast paced portrait of the author of the goosebumps series tells young readers what r l stine was like as a kid how he became a writer and where he gets his ideas from read more reading age 8 12 years print length 176

kochen wie die bäuerin mit elisabeth lust sauberer durch die - Jan 24 2023

web kinder bauernhöfe in österreich leonharder bäuerin mit kick kochen wie in asien laden sie kostenlose pdf bücher herunter maisons de strasbourg résultats de recherche arbeitskleidung für bäuerinnen read pdf eugen drewermann kleriker psychogramm eines urlaub am baby und kinderbauernhof 2020 2021 by urlaub am finden sie die ausgabe

kochen wie die bäuerin elisabeth lust sauberer softcover - Jun 28 2023

web wie man mit saisonalen und regionalen zutaten schmackhaft kocht und wie man die vorratskammer richtig füllt wusste man auf Österreichs bauernhöfen immer schon dieses buch zapft den reichen kulinarischen wissensschatz heimischer bäuerinnen an elisabeth lust sauberer selbst landwirtin im niederösterreichischen weinviertel und weithin

kochen wie die bäuerin mit elisabeth lust sauberer durch die - Jul 18 2022

web sep 21 2023 kochen wie die bäuerin mit elisabeth lust sauberer durch die jahreszeiten by elisabeth lust sauberer andreas könig ottobeuren macht geschichte de valentine orrell ich war fremd und ihr habt mich aufgenommen full text of german for learning arbeitskleidung für bäuerinnen leonharder bäuerin mit kick full

elisabeth lust sauberer kochen haushalt schalladorf - Jul 30 2023

web die umtriebeige bäuerin elisabeth lust sauberer aus niederösterreich hat viele tips trips rund um haushalt küche und garten

kochen wie die bäuerin lünebuch de - Feb 22 2023

web feb 11 2019 wie man mit saisonalen und regionalen zutaten schmackhaft kocht und wie man die vorratskammer richtig füllt wusste man auf Österreichs bauernhöfen immer schon dieses buch zapft den reichen kulinarischen wissensschatz heimischer bäuerinnen an elisabeth lust sauberer selbst landwirtin im niederösterreichischen weinviertel und

kochen wie die bäuerin mit elisabeth lust sauberer durch die - Oct 01 2023

web kochen wie die bäuerin mit elisabeth lust sauberer durch die jahreszeiten andreas könig elisabeth lust sauberer renè van bakel isbn 9783854317180 kostenloser versand für alle bücher mit versand und verkauf duch amazon

kochen wie die bäuerin mit elisabeth lust sauberer durch die - Feb 10 2022

web aug 8 2023 may 20th 2020 kochen wie die bauerin mit elisabeth lust sauberer durch die jahreszeiten pdf online krk der praktische reiseführer für ihren inselfrip inselfrip by arp pdf download leistungsernahrung für kraftsportler strategien für muskelaufbau fettabbau und optimale regeneration pdf online german for reading knowledge pdf free download

kochen wie die bauerin mit elisabeth lust saubere 2023 - Aug 19 2022

web kochen wie die bauerin mit elisabeth lust saubere 3 3 mit kreativen ideen sowie hilfreichen tipps und tricks sorgen diese

rezepte für einen abwechslungsreichen speiseplan lassen sie sich verführen von der vielfalt der salzburger küche und genießen sie traditionelle hausmannskost ebenso wie moderne gerichte mit frischen

kochen wie die bäuerin mit elisabeth lust sauberer durch die - Aug 31 2023

web kochen wie die bäuerin mit elisabeth lust sauberer durch die jahreszeiten elisabeth lust sauberer andreas könig isbn 9783222140389 kostenloser versand für alle bücher mit versand und verkauf duch amazon

kochen wie die bäuerin mit elisabeth lust sauberer durch die - Sep 19 2022

web jun 12 2023 kochen wie die bäuerin mit elisabeth lust sauberer durch die jahreszeiten by elisabeth lust sauberer andreas könig die benutze ich nur in der küche wenn ich gäste habe und sonntagskleidung trage im stall zum sauber machen haben

kochen wie die bäuerin mit elisabeth lust sauberer durch die - Apr 26 2023

web kochen wie die bäuerin mit elisabeth lust sauberer durch die jahreszeiten by elisabeth lust sauberer andreas könig bezirksbäuerin ist autorin bzw co autorin mehrerer bücher und ratgeber andreas könig arbeitet selbstständig als journalist buchautor fotograf und trainer in der erwachsenenbildung rené van bakel ist ein

kochen wie die bäuerin mit elisabeth lust sauberer durch die - Mar 14 2022

web jun 10 2023 kochen wie die bäuerin mit elisabeth lust sauberer durch die jahreszeiten by elisabeth lust sauberer andreas könig eodem die bin ich johann reinhard lang notarius und dießer ehrsamen zunfft zunfftschreiber vestanden producirte scheine von hießiger statt stall sub

kochen wie die bäuerin mit elisabeth lust sauberer durch die - Apr 14 2022

web kochen wie die bäuerin mit elisabeth lust sauberer durch die jahreszeiten by elisabeth lust sauberer andreas könig arbeitskleidung für bäuerinnen june 3rd 2020 die benutze ich nur in der küche wenn ich gäste habe und sonntagskleidung trage im stall zum sauber machen haben wir gummischürzen

kochen wie die bäuerin mit elisabeth lust sauberer durch die - Jun 16 2022

web may 19 2023 kochen wie die bäuerin mit elisabeth lust sauberer durch die jahreszeiten by elisabeth lust sauberer andreas könig apalien 1 su baby und kinder bauernhöfe in österreich

kochen wie die bäuerin mit elisabeth lust sauberer durch die - Mar 26 2023

web kochen wie die bäuerin mit elisabeth lust sauberer durch die jahreszeiten finden sie alle bücher von elisabeth lust sauberer andreas könig bei der büchersuchmaschine eurobuch com können sie antiquarische und neubücher vergleichen und sofort zum bestpreis bestellen 9783222140389 wie man mit saisonalen

kochen wie die bauerin mit elisabeth lust saubere - Oct 21 2022

web kochen wie die bauerin mit elisabeth lust saubere 4 7 downloaded from uniport edu ng on september 6 2023 by guest

buch 1994 07 women of the third reich anna maria sigmund 2000 examines the lives of eight women who were a part of the nazi regime or played a role in its ascendancy bayerische bibliographie 1996

kochen wie die bäuerin mit elisabeth lust sauberer durch die - May 16 2022

web sep 9 2023 kochen wie die bäuerin mit elisabeth lust sauberer durch die jahreszeiten by elisabeth lust sauberer andreas könig kyberg nachrichten märz 2013 steirischer bildungsberater 2019 2021 baby und kinder bauernhöfe in österreich inhaltsverzeichnis read pdf eugen drewermann kleriker psychogramm eines

kochen wie die bäuerin mit elisabeth lust sauberer durch die - May 28 2023

web jun 15 2023 along with instructions you could indulge in the present is kochen wie die bäuerin mit elisabeth lust sauberer durch die jahreszeiten by elisabeth lust sauberer andreas könig below still below when you visit this web page it will be suitably no question easy to get as without difficulty as download guide kochen wie die bäuerin mit

kochen wie die bäuerin mit elisabeth lust saubere - Nov 21 2022

web speiseplan mit den vielfältigen gerichten der bäuerlichen küche vorarlbergs und genießen sie gesunde traditionelle gerichte bewährte rezepte leicht nachzukochen zubereitet mit frischen lebensmitteln aus der heimischen landwirtschaft

einlegen einkochen eine bäuerin verrät wie man vorräte anlegt - Dec 23 2022

web in saubere gläser füllen und sofort verschließen elisabeth sauberer lust bereitet damit das beste erdbeerjoghurt zu das ich kenne einfach naturjoghurt mit einem löffel erdbeerragout

the no guitar blues by gary soto close reading - May 23 2022

web save time support improved reading stamina and measure general reading comprehension with this printable quiz on the short story the no guitar blues by gary soto

the no guitar blues by gary soto close reading worksheet - May 03 2023

web study guide for the no guitar blues the no guitar blues study guide contains a biography of gary soto literature essays quiz questions major themes characters and

5 short stories by gary soto commonlit - Aug 06 2023

web nov 25 2021 with this printable bundle of high school resources for teaching the no guitar blues by gary soto educators will measure reading comprehension with a

gary soto wikipedia - Jun 04 2023

web study guide for the no guitar blues the no guitar blues study guide contains a biography of gary soto literature essays quiz questions major themes characters and

the no guitar blues metaphors and similes gradesaver - Jan 31 2023

web no guitar blues by gary soto crossword puzzle this is only part of a whole short story bundle which can be found here

teacherspayteachers com product no

the no guitar blues by gary soto quiz made by teachers - Feb 17 2022

the no guitar blues by gary soto close reading worksheet - Aug 26 2022

web item description support the development of high school close reading skills with this set of analysis questions to complement the short story the no guitar blues by gary soto

the no guitar blues by gary soto resource bundle - Dec 18 2021

the no guitar blues ella grade 6 - Apr 21 2022

web docx 259 75 kb pdf 895 62 kb save time support improved reading stamina and measure general reading comprehension with this printable quiz on the short story the

life and career the no guitar blues wikipedia gradesaver - Dec 30 2022

web nov 14 2014 the no guitar blues by gary soto he feels guilty at the thought of lying he notices the dog looks healthy and well fed fausto spots a collar and tag and realizes

no guitar blues gary soto teaching resources ppt - Oct 28 2022

web the no guitar blues follows young fausto sanchez on his weekend long quest to earn enough money to buy a guitar the manner in which he obtains the money however

the no guitar blues background gradesaver - Oct 08 2023

web the no guitar blues written by gary soto is a short story it is about a boy named fausto who very much wants a guitar he asks his parents but they say that guitars are

the no guitar blues literary elements gradesaver - Mar 01 2023

web oct 28 2020 im doing an essay and i dont know the genre i have so many genre in my mind the book is the no guitar blues by gary soto asked by lania s 1067343 on

the no guitar blues worldcat org - Apr 02 2023

web study guide for the no guitar blues the no guitar blues study guide contains a biography of gary soto literature essays quiz questions major themes characters and

the no guitar blues by gary soto quiz teaching resources - Jan 19 2022

the no guitar blues study guide analysis gradesaver - Jul 05 2023

web the no guitar blues authors gary templeton gary soto summary fausto sanchez dreams of becoming a guitarist like tony

alvarez of the band los gatos frios but has

[the no guitar blues from gary soto s book baseball in april](#) - Jun 23 2022

web the no guitar blues by gary soto term 1 33 mission click the card to flip definition 1 33 an important assignment carried out for political or religious purposes click the

the no guitar blues by gary soto by melannie garcia prezi - Sep 26 2022

web the no guitar blues from gary soto s book baseball in april youtube 0 00 17 23 the no guitar blues from gary soto s book baseball in april serene darae 14 subscribers

the no guitar blues by gary soto youtube - Sep 07 2023

web study guide for the no guitar blues the no guitar blues study guide contains a biography of gary soto literature essays quiz questions major themes characters and

what genre is the no guitar blue by gary soto the no guitar - Nov 28 2022

web support the development of high school close reading skills with this set of analysis questions to complement the short story the no guitar blues by gary soto a

the no guitar blues by gary soto flashcards quizlet - Mar 21 2022

web nov 25 2021 with this printable bundle of high school resources for teaching the no guitar blues by gary soto educators will measure reading comprehension with a

[no guitar blues 1991 directed by gary templeton letterboxd](#) - Jul 25 2022

web the no guitar blues by gary soto gary soto gary soto was born on april 12 1952 in fresno ca he is an author and a poet he wanted to do poems because he read a