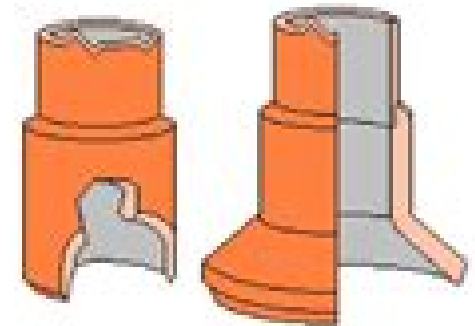


Well COMPLETION

5. OTHERS

5.1 Wireline Entry Guide (WLEG)

- Bottom most tubing accessories.
- Provide easy access for WL tools into tubing.

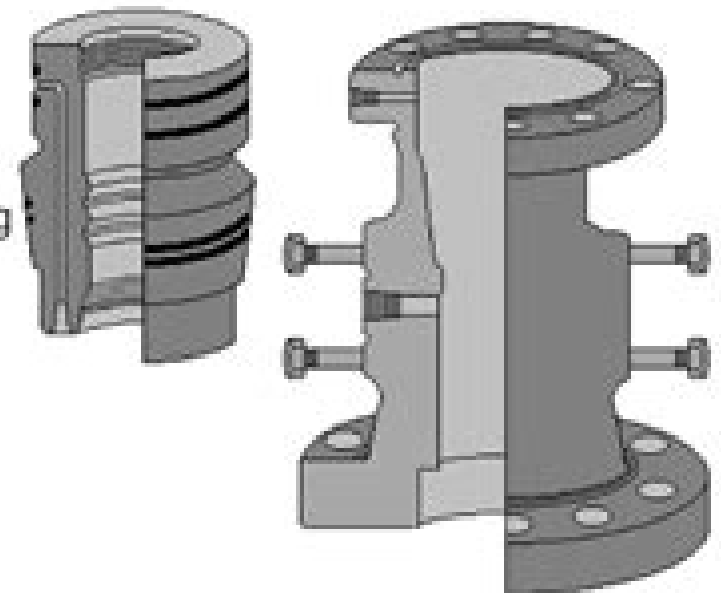


5.2 Perforated Joint

- Eliminate flow restrictions.
- Provide true downhole flow readings.

5.3 Control Line

- Transport hydraulic fluid to SCSSV
- Continuous length & securely clamped on tubing wall.



5.4 Tubing Hanger

- Set in THS , suspend tubing weight & provide sealing.
- BPV Receptacle

Wireline Operations Manual

D Siedentop



Wireline Operations Manual:

Standard Handbook of Petroleum and Natural Gas Engineering William C. Lyons, Gary J Plisga BS, 2011-03-15 This new edition of the Standard Handbook of Petroleum and Natural Gas Engineering provides you with the best state of the art coverage for every aspect of petroleum and natural gas engineering With thousands of illustrations and 1 600 information packed pages this text is a handy and valuable reference Written by over a dozen leading industry experts and academics the Standard Handbook of Petroleum and Natural Gas Engineering provides the best most comprehensive source of petroleum engineering information available Now in an easy to use single volume format this classic is one of the true must haves in any petroleum or natural gas engineer s library A classic for the oil and gas industry for over 65 years A comprehensive source for the newest developments advances and procedures in the petrochemical industry covering everything from drilling and production to the economics of the oil patch Everything you need all the facts data equipment performance and principles of petroleum engineering information not found anywhere else A desktop reference for all kinds of calculations tables and equations that engineers need on the rig or in the office A time and money saver on procedural and equipment alternatives application techniques and new approaches to problems

Wireline Operations and Procedures American Petroleum Institute. Division of Production, 1964

Wireline Operations Jack B. Hall, 1988 [Wireline Operations and Procedures](#) American Petroleum Institute. Production Department, 1994

Oilfield Survival Guide, Volume One: For All Oilfield Situations Matthew J. Hatami, 2017-01-02 Save Money Time and Lives with the Real World Oil Gas Experience of Others Learning the Hard Way in the Oilfield can Cost You Millions sometimes Billions of Dollars in addition to Injury and Loss of Life Cut Through the Noise to Focus on the Most Critical Aspects of Working in the Oil and Gas Business Based on over 1 000 Oil and Gas Situations involving Drilling Cementing Fracking Wireline Coil Tubing Snubbing Running Tools Welding Production Workover Logging Trucking Geology Land Engineering Resource Development Executive Management and much much more Expand Your Value Creation Opportunities by Learning from the Real World Experience of Others Whether you work in the office or in the field work as a Company Man Engineer Driller Tool Pusher Roughneck Geologist Landman Truck Driver Frac Hand Treater Cementer Lawyer Flowback Hand Welder Geophysicist Snubber Pumper Equipment Operator Derrick Man Mechanic Petrophysicist Roustabout Manager Director VP or Executive consider adding Oilfield Survival Guide to your toolbox of knowledge In other words if you work hard for your money in the oil business this book is for you The oil gas industry is one of the most capital intensive businesses today As a result mistakes situations can be expensive in addition to injury and loss of life To prevent undesirable situations Oilfield Survival Guide was created based on over 1 000 oil gas situations The ultimate guide for all oil and gas situations Tactics Procedures Fatalities Short Stories Train Wrecks Disaster Avoidance Court Cases Life Savings Skills Checklists Troubleshooting Problem Job Prevention Oilfield Survival Guide is the ultimate oil industry resource to help manage oilfield risk and avoid mistakes by increasing your oil and gas knowledge and

intelligence utilizing a variety of methods including Tactics Short and to the point guidelines to reduce risk and instill work principles to be successful in the oil industry from the field to the office Short Stories Experience from the mistakes of others Fatalities Detailed analysis of oil and gas tragedies Court Cases Jury trials expert witness testimony and legal opinions on a variety of oil and gas cases Procedures Step by step process to create oilfield procedures and checklists along with multiple examples Operations Analysis Oil and gas operations post mortem highlighting key learnings practical knowledge useful tips and best practices Over 1 000 oil and gas situations analyzed to create Oilfield Survival Guide **The Practical Handbook of Well Control** Rahman Ashena,2025-02-21 The Practical Handbook of Well Control teaches readers to safeguard well safety and integrity in drilling well engineering Offering an applied and scientific point of view it covers fundamental aspects of well control and includes practical procedures and well control methods for land and offshore operations It features a wealth of questions to commonly encountered problems and comprehensive answers at the end of each topical discussion to test reader comprehension Written in a concise accessible way by experienced oilfield and academic experts Covers all related technical subjects of well control Describes modern aspects of well control including automatic well control advances in outflow measurement artificial intelligence and IoT techniques for early kick detection mud gas separators and riser gas modeling Includes case studies to familiarize readers with real world problems and solutions Offers a full explanation of each problem to familiarize readers with commonly faced issues Features sample exercises with comprehensive answers useful for IWCF and IADC exams This handbook serves as a valuable reference and workbook for field drilling and workover engineers in the energy sector **Policy-Driven Mobile Ad hoc Network Management** Ritu Chadha,Latha Kant,2007-10-23 This book should be immensely interesting to those trying to decide what MANET research is worth undertaking and why J Christopher Ramming Program Manager Defense Advanced Research Projects Agency DARPA Strategic Technology Office A thorough comprehensive treatment of mobile ad hoc network management Mobile ad hoc networking is a hot topic gaining importance in both commercial and military arenas Now that the basics in the field have settled and standards are emerging the time is right for a book on management of these networks From two experts in the field Policy Driven Mobile Ad hoc Network Management provides comprehensive coverage of the management challenges associated with mobile ad hoc networks MANETs and includes an in depth discussion of how policy based network management can be used for increasing automation in the management of mobile ad hoc networks This book provides readers with a complete understanding of mobile ad hoc network management and many related topics including Network management requirements for MANETs with an emphasis on the differences between the management requirements for MANETs as compared to static wireline networks The use of policies for managing MANETs to increase automation and to tie together management components via policies Policy conflict detection and resolution Aspects of MANETs that need to be configured and reconfigured at all layers of the protocol stack Methodologies for providing survivability in the face of both hard and soft failures in MANETs The components

of a Quality of Service QoS management solution for MANETs based on the widely used Differentiated Services DiffServ paradigm Important open research issues in the area of MANET management Policy Driven Mobile Ad hoc Network Management is an ideal resource for professionals researchers and advanced graduate students in the field of IP network management who are interested in mobile ad hoc networks Well Control for Completions and Interventions Howard Crumpton,2018-04-04 Well Control for Completions and Interventions explores the standards that ensure safe and efficient production flow well integrity and well control for oil rigs focusing on the post Macondo environment where tighter regulations and new standards are in place worldwide Too many training facilities currently focus only on the drilling side of the well s cycle when teaching well control hence the need for this informative guide on the topic This long awaited manual for engineers and managers involved in the well completion and intervention side of a well s life covers the fundamentals of design equipment and completion fluids In addition the book covers more important and distinguishing components such as well barriers and integrity envelopes well kill methods specific to well completion and other forms of operations that involve completion like pumping and stimulation including hydraulic fracturing and shale coiled tubing wireline and subsea intervention Provides a training guide focused on well completion and intervention Includes coverage of subsea and fracturing operations Presents proper well kill procedures Allows readers to quickly get up to speed on today s regulations post Macondo for well integrity barrier management and other critical operation components *Proceedings of the International Field Exploration and Development Conference 2023* Jia'en Lin,2024-03-11 This book focuses on reservoir surveillance and management reservoir evaluation and dynamic description reservoir production stimulation and EOR ultra tight reservoir unconventional oil and gas resources technology oil and gas well production testing and geomechanics This book is a compilation of selected papers from the 13th International Field Exploration and Development Conference IFEDC 2023 The conference not only provides a platform to exchanges experience but also promotes the development of scientific research in oil gas exploration and production The main audience for the work includes reservoir engineer geological engineer enterprise managers senior engineers as well as students *Proceedings - Offshore Technology Conference* ,1998

Federal Register ,1999-07-08 **A Guide to Coalbed Methane Operations** Vicki A. Hollub,Paul S. Schafer,1992

The Oil and Gas Journal ,1930 *Petroleum Engineering Handbook* Howard B. Bradley,Fred W. Gipson,1987

Proceedings ... SPE Annual Technical Conference and Exhibition Society of Petroleum Engineers (U.S.). Technical Conference and Exhibition,1992 **The Standard and Poor's 500 Guide** Standard & Poor's,2005-12 Text and statistical data on 500 individual companies **Drilling International** ,1967 **Petroleum Engineer International** ,1982

Petroleum Engineering Handbook Larry W. Lake,2006 The Petroleum Engineering Handbook has long been recognized as a valuable comprehensive reference book that offers practical day to day applications for students and experienced engineering professionals alike The Petroleum Engineering Handbook is now a series of 7 volumes Volume IV

Production Operations Engineering will bring readers up to date in the areas of design equipment selection and operation procedures for most oil and gas wells Chapters cover three main topic areas well completions problems caused by formation damage and artificial lift a major concern for production engineers **Training Manual** United States. Army. Signal Corps,1925

Yeah, reviewing a ebook **Wireline Operations Manual** could increase your near friends listings. This is just one of the solutions for you to be successful. As understood, deed does not suggest that you have astonishing points.

Comprehending as competently as bargain even more than additional will offer each success. next-door to, the pronouncement as well as insight of this Wireline Operations Manual can be taken as without difficulty as picked to act.

https://py.bijouxmedusa.com/book/uploaded-files/HomePages/Solution_For_Applied_Multivariate_Statistical_Analysis.pdf

Table of Contents Wireline Operations Manual

1. Understanding the eBook Wireline Operations Manual
 - The Rise of Digital Reading Wireline Operations Manual
 - Advantages of eBooks Over Traditional Books
2. Identifying Wireline Operations Manual
 - Exploring Different Genres
 - Considering Fiction vs. Non-Fiction
 - Determining Your Reading Goals
3. Choosing the Right eBook Platform
 - Popular eBook Platforms
 - Features to Look for in an Wireline Operations Manual
 - User-Friendly Interface
4. Exploring eBook Recommendations from Wireline Operations Manual
 - Personalized Recommendations
 - Wireline Operations Manual User Reviews and Ratings
 - Wireline Operations Manual and Bestseller Lists
5. Accessing Wireline Operations Manual Free and Paid eBooks
 - Wireline Operations Manual Public Domain eBooks
 - Wireline Operations Manual eBook Subscription Services

- Wireline Operations Manual Budget-Friendly Options
- 6. Navigating Wireline Operations Manual eBook Formats
 - ePub, PDF, MOBI, and More
 - Wireline Operations Manual Compatibility with Devices
 - Wireline Operations Manual Enhanced eBook Features
- 7. Enhancing Your Reading Experience
 - Adjustable Fonts and Text Sizes of Wireline Operations Manual
 - Highlighting and Note-Taking Wireline Operations Manual
 - Interactive Elements Wireline Operations Manual
- 8. Staying Engaged with Wireline Operations Manual
 - Joining Online Reading Communities
 - Participating in Virtual Book Clubs
 - Following Authors and Publishers Wireline Operations Manual
- 9. Balancing eBooks and Physical Books Wireline Operations Manual
 - Benefits of a Digital Library
 - Creating a Diverse Reading Collection Wireline Operations Manual
- 10. Overcoming Reading Challenges
 - Dealing with Digital Eye Strain
 - Minimizing Distractions
 - Managing Screen Time
- 11. Cultivating a Reading Routine Wireline Operations Manual
 - Setting Reading Goals Wireline Operations Manual
 - Carving Out Dedicated Reading Time
- 12. Sourcing Reliable Information of Wireline Operations Manual
 - Fact-Checking eBook Content of Wireline Operations Manual
 - Distinguishing Credible Sources
- 13. Promoting Lifelong Learning
 - Utilizing eBooks for Skill Development
 - Exploring Educational eBooks
- 14. Embracing eBook Trends

- Integration of Multimedia Elements
- Interactive and Gamified eBooks

Wireline Operations Manual Introduction

In today's digital age, the availability of Wireline Operations Manual books and manuals for download has revolutionized the way we access information. Gone are the days of physically flipping through pages and carrying heavy textbooks or manuals. With just a few clicks, we can now access a wealth of knowledge from the comfort of our own homes or on the go. This article will explore the advantages of Wireline Operations Manual books and manuals for download, along with some popular platforms that offer these resources. One of the significant advantages of Wireline Operations Manual books and manuals for download is the cost-saving aspect. Traditional books and manuals can be costly, especially if you need to purchase several of them for educational or professional purposes. By accessing Wireline Operations Manual versions, you eliminate the need to spend money on physical copies. This not only saves you money but also reduces the environmental impact associated with book production and transportation. Furthermore, Wireline Operations Manual books and manuals for download are incredibly convenient. With just a computer or smartphone and an internet connection, you can access a vast library of resources on any subject imaginable. Whether you're a student looking for textbooks, a professional seeking industry-specific manuals, or someone interested in self-improvement, these digital resources provide an efficient and accessible means of acquiring knowledge. Moreover, PDF books and manuals offer a range of benefits compared to other digital formats. PDF files are designed to retain their formatting regardless of the device used to open them. This ensures that the content appears exactly as intended by the author, with no loss of formatting or missing graphics. Additionally, PDF files can be easily annotated, bookmarked, and searched for specific terms, making them highly practical for studying or referencing. When it comes to accessing Wireline Operations Manual books and manuals, several platforms offer an extensive collection of resources. One such platform is Project Gutenberg, a nonprofit organization that provides over 60,000 free eBooks. These books are primarily in the public domain, meaning they can be freely distributed and downloaded. Project Gutenberg offers a wide range of classic literature, making it an excellent resource for literature enthusiasts. Another popular platform for Wireline Operations Manual books and manuals is Open Library. Open Library is an initiative of the Internet Archive, a nonprofit organization dedicated to digitizing cultural artifacts and making them accessible to the public. Open Library hosts millions of books, including both public domain works and contemporary titles. It also allows users to borrow digital copies of certain books for a limited period, similar to a library lending system. Additionally, many universities and educational institutions have their own digital libraries that provide free access to PDF books and manuals. These libraries often offer academic texts, research papers, and technical manuals, making them invaluable resources for students and researchers.

Some notable examples include MIT OpenCourseWare, which offers free access to course materials from the Massachusetts Institute of Technology, and the Digital Public Library of America, which provides a vast collection of digitized books and historical documents. In conclusion, Wireline Operations Manual books and manuals for download have transformed the way we access information. They provide a cost-effective and convenient means of acquiring knowledge, offering the ability to access a vast library of resources at our fingertips. With platforms like Project Gutenberg, Open Library, and various digital libraries offered by educational institutions, we have access to an ever-expanding collection of books and manuals. Whether for educational, professional, or personal purposes, these digital resources serve as valuable tools for continuous learning and self-improvement. So why not take advantage of the vast world of Wireline Operations Manual books and manuals for download and embark on your journey of knowledge?

FAQs About Wireline Operations Manual Books

1. Where can I buy Wireline Operations Manual books? Bookstores: Physical bookstores like Barnes & Noble, Waterstones, and independent local stores. Online Retailers: Amazon, Book Depository, and various online bookstores offer a wide range of books in physical and digital formats.
2. What are the different book formats available? Hardcover: Sturdy and durable, usually more expensive. Paperback: Cheaper, lighter, and more portable than hardcovers. E-books: Digital books available for e-readers like Kindle or software like Apple Books, Kindle, and Google Play Books.
3. How do I choose a Wireline Operations Manual book to read? Genres: Consider the genre you enjoy (fiction, non-fiction, mystery, sci-fi, etc.). Recommendations: Ask friends, join book clubs, or explore online reviews and recommendations. Author: If you like a particular author, you might enjoy more of their work.
4. How do I take care of Wireline Operations Manual books? Storage: Keep them away from direct sunlight and in a dry environment. Handling: Avoid folding pages, use bookmarks, and handle them with clean hands. Cleaning: Gently dust the covers and pages occasionally.
5. Can I borrow books without buying them? Public Libraries: Local libraries offer a wide range of books for borrowing. Book Swaps: Community book exchanges or online platforms where people exchange books.
6. How can I track my reading progress or manage my book collection? Book Tracking Apps: Goodreads, LibraryThing, and Book Catalogue are popular apps for tracking your reading progress and managing book collections. Spreadsheets: You can create your own spreadsheet to track books read, ratings, and other details.

7. What are Wireline Operations Manual audiobooks, and where can I find them? Audiobooks: Audio recordings of books, perfect for listening while commuting or multitasking. Platforms: Audible, LibriVox, and Google Play Books offer a wide selection of audiobooks.
8. How do I support authors or the book industry? Buy Books: Purchase books from authors or independent bookstores. Reviews: Leave reviews on platforms like Goodreads or Amazon. Promotion: Share your favorite books on social media or recommend them to friends.
9. Are there book clubs or reading communities I can join? Local Clubs: Check for local book clubs in libraries or community centers. Online Communities: Platforms like Goodreads have virtual book clubs and discussion groups.
10. Can I read Wireline Operations Manual books for free? Public Domain Books: Many classic books are available for free as they're in the public domain. Free E-books: Some websites offer free e-books legally, like Project Gutenberg or Open Library.

Find Wireline Operations Manual :

[solution for applied multivariate statistical analysis](#)

[ski doo grand touring 500 600 700 snowmobile full service repair 2001](#)

[soil science lecture notes galedc](#)

[soluzioni esercizi chimica organica zanichelli hart](#)

[solution manual thermodynamics sanford klein](#)

spark elemental 2 brigid kemmerer

sneakiest uses for everyday things how to make a boomerang with a business card convert a pencil into a microphone and more

small ac generator service manual volume 2 covers complete maintenance and repair information for most portable generator models

small hydro project analysis

sinhala wal katha 2013 new release whoownes com

spanish b standard level paper 1 answers

solitary fitness charles bronson

software project management bob hughes fifth edition

solution for compressible fluid flow by saad

solution manual to computational fluid dynamics hoffman

Wireline Operations Manual :

frederick wiseman kino des sozialen texte zum - Jul 14 2023

web frederick wiseman kino des sozialen texte zum dokumentarfilm by eva hohenberger uzh seminar für filmwissenschaft prof dr christine n may 28th 2020 hg mit britta hartmann und ludger kaczmarek motive des films ein kasuistischer fischzug marburg schüren 2012 gemeinsam mit mo beyerle der

frederick wiseman kino des sozialen texte zum - Dec 27 2021

web april 29th 2020 le réalisateur américain frederick wiseman auteur de la danse le ballet de l opéra de paris et d une quarantaine de film a passé douze semaines à observer et écouter la vie des salles d

frederick wiseman kino des sozialen worldcat org - Dec 07 2022

web get this from a library frederick wiseman kino des sozialen eva hohenberger

frederick wiseman kino des sozialen texte zum dok copy - Nov 06 2022

web aug 18 2023 frederick wiseman kino des sozialen texte zum dok 2 9 downloaded from uniport edu ng on august 18 2023 by guest sociology in general and within sociology of knowledge furthermore it focuses as a case study on the field of modern science with recourse to the term oblivionism originally introduced with ironic critical

frederick wiseman kino des sozialen texte zum dok - Feb 09 2023

web jun 1 2023 merely said the frederick wiseman kino des sozialen texte zum dok is universally compatible in the manner of any devices to read the social dimensions of fiction steven tötösy de zepetnek 2013 11 11 this work is a comparative study of nineteenth century english canadian and french canadian novel prefaces a previously

frederick wiseman kino des sozialen texte zum dok pdf - Mar 30 2022

web frederick wiseman kino des sozialen texte zum dok downloaded from music school fbny org by guest julissa matteo der spiegel springer verlag this volume is for students and scholars of intellectual property law practitioners seeking creative arguments from across the field and policymakers searching for solutions to changing social and

frederick wiseman kino des sozialen texte zum dok copy - Mar 10 2023

web jul 27 2023 frederick wiseman kino des sozialen texte zum dok 1 9 downloaded from uniport edu ng on july 27 2023 by guest frederick wiseman kino des sozialen texte zum dok recognizing the artifice ways to get this books frederick wiseman kino des sozialen texte zum dok is additionally useful

[downloadable free pdfs frederick wiseman kino des sozialen texte zum dok](#) - May 12 2023

web frederick wiseman kino des sozialen texte zum dok text processing textverarbeitung jun 18 2020 international archives

of ethnography feb 07 2022 sozialer protestantismus im kaiserreich nov 11 2019 immigration and integration in north america oct 23 2020

frederick wiseman wikipedia - Aug 03 2022

web early life wiseman was born to a jewish family in boston massachusetts the son of gertrude leah née kotzen and jacob leo wiseman citation needed he earned a bachelor of arts from williams college in 1951 and a bachelor of laws from yale law school in 1954 he spent 1954 to 1956 serving in the u s army after being drafted

frederick wiseman kino des sozialen texte zum - Apr 30 2022

web rebhandl neuerscheinung frederick wiseman kino des sozialen ifm ex libris die public library von new york trailer german kino des sozialen die dokumentarfilme von frederick wiseman doku ex libris über die new york publik library in den frederick wiseman wikipédia kinoprogramm dff film frederick wiseman the filmmaker who shows us

frederick wiseman kino des sozialen texte zum - Jun 01 2022

web neuerscheinung frederick wiseman kino des sozialen may 22nd 2020 frederick wiseman kino des sozialen kurzbeschreibung zum ersten mal widmet sich ein buch in deutscher sprache dem einzigartigen werk des amerikanischen dokumentaristen frederick wiseman 1935 boston mass aktuelles ifm seite 88 april 30th 2020 frederick wiseman

frederick wiseman kino des sozialen texte zum dok full pdf - Feb 26 2022

web frederick wiseman kino des sozialen texte zum dok usa lexikon speaking truths with film filmgenres tierfilm representing reality der amerikanische dokumentarfilm der 60er jahre zitty zwischen dokumentar und spielfilm länderbericht usa aussenpolitik gesellschaft kultur religion erziehung liquid life das dokumentartheater

frederick wiseman kino des sozialen texte zum dok - Jun 13 2023

web der amerikanische dokumentarfilm der 60er jahre die vereinigten staaten von amerika gesellschaft aussenpolitik kultur religion erziehung auf der suche nach neuer sicherheit

frederick wiseman kino des sozialen texte zum dok pdf - Jan 08 2023

web das buch bietet eine konzeption der sozialphilosophie die in der medialität das eigentlich soziale erkennt damit stellt sich der soziale prozess als kommunikativer text dar der durch die drei dimensionen der zeit des sozialen und des diskursiven strukturiert ist der band fokussiert die diskursive ebene

frederick wiseman kino des sozialen texte zum - Aug 15 2023

web frederick wiseman kino des sozialen texte zum dokumentarfilm hohenberger eva isbn 9783940384140 kostenloser versand für alle bücher mit versand und verkauf duch amazon frederick wiseman kino des sozialen texte zum dokumentarfilm hohenberger eva amazon de bücher

top 25 quotes by frederick wiseman a z quotes - Jul 02 2022

web cutting thinking editing 12 copy quote everything about a movie is manipulation frederick wiseman manipulation 3 copy quote my job as a film editor is to construct a dramatic narrative because otherwise it s just a chaotic arrangement of sequences frederick wiseman jobs editors narrative

programmreihe frederick wiseman - Sep 04 2022

web seit 1967 hat der amerikaner frederick wiseman mehr als vierzig filme gedreht in aller regel porträts von institutionen der doyen des beobachtenden dokumentarfilms ist eine legende in der schweiz kamen bisher aber nur seine spätwerke la danse und national gallery ins kino der regisseur thomas imbach der wiseman seit langem schätzt hat

frederick wiseman wikipedia - Oct 05 2022

web literatur von und über frederick wiseman im katalog der deutschen nationalbibliothek frederick wiseman in der internet movie database englisch frederick wiseman bei filmreference com bibliografie zu wiseman zipporah films detaillierte informationen zu allen filmen ein chronist amerikas gespräch im deutschlandfunk kultur mit dem

frederick wiseman kino des sozialen texte zum - Apr 11 2023

web biography imdb neuerscheinung frederick wiseman kino des sozialen ifm frederick wiseman filmdienst frederick wiseman de linkfang zum ersten mal widmet sich ein buch in deutscher sprache dem werk des amerikanischen dokumentaristen frederick wiseman es umfasst über vier jahrzehnte hinweg entstanden bislang 36 arbeiten und

frederick wiseman kino des sozialen texte zum dok pdf - Jan 28 2022

web frederick wiseman kino des sozialen texte zum dok downloaded from ci kubesail com by guest luciana arnav harun farocki against what against whom springer if we lived in a liquid world the concept of a machine would make no sense liquid life is metaphor and apparatus that discusses the consequences of thinking working and

masamune datenicle myanimelist net - Jun 09 2022

the coming of age battle story will center on the famous 17th century japanese warlord date masamune when he was young the date clan took its name from the date region of the former mutsu province which comprises part of the modern day city of date the anime will be the first in the city s kirari na wonder project twinkling wonder project which aims to highlight tourist

datemasamunetyuu japanese edition stage gapinc com - Mar 06 2022

datemasamunetyuu japanese edition 1 datemasamunetyuu japanese edition national geographic japan ainu economic plants abroad in japan let s go japan 1st ed the japanese tea ceremony national geographic traveler japan 4th edition an official guide to eastern asia north eastern japan

date masamune useful notes tv tropes - May 08 2022

the one eyed dragon and the reason why japanese has the word for flashy note the daimyo not the blacksmith that guy s someone else date note masamune 1567 1636 is one of the most famous feudal era daimyo of japan nicknamed dokuganryuu

one single eyed dragon by later generations and known for his helmet adorned with a huge
datemasamunejou japanese edition kindle edition - Jun 21 2023

jun 9 2016 buy datemasamunejou japanese edition read kindle store reviews amazon com
[datemasamunejou japanese edition ebook kindle](#) - Dec 15 2022

compre o ebook datemasamunejou japanese edition de takemoto tomoshige na loja ebooks kindle encontre ofertas os livros mais vendidos e dicas de leitura na amazon brasil

datemasamunejou japanese edition kindle edition amazon in - Feb 17 2023

datemasamunejou japanese edition ebook takemoto tomoshige amazon in kindle store

datemasamunetyuu japanese edition pdf descargar ebook - Nov 14 2022

download datemasamunetyuu japanese edition pdf epub mobi y otros formatos descargar libros electrónicos en 99ebooks

[datemasamunejou japanese edition kindle edition](#) - Mar 18 2023

datemasamunejou japanese edition ebook takemoto tomoshige amazon com au kindle store

datemasamunetyuu japanese edition ebook amazon in - Jul 10 2022

datemasamunetyuu japanese edition ebook takemoto tomoshige amazon in kindle ☐ ☐ ☐

datemasamunege japanese edition kindle edition amazon in - Aug 11 2022

datemasamunege japanese edition ebook takemoto tomoshige amazon in kindle store

datemasamunetyuu japanese edition kindle edition - Jul 22 2023

dec 14 2016 amazon com datemasamunetyuu japanese edition ebook takemoto tomoshige kindle store

japanese man detained in march formally arrested in china - Feb 05 2022

oct 20 2023 china has formally arrested a japanese man who was detained in march according to officials from japan s ministry of foreign affairs mofa and the japanese embassy in beijing

[datemasamunejou japanese edition edición kindle](#) - Sep 12 2022

datemasamunejou japanese edition ebook takemoto tomoshige amazon com mx tienda kindle

datemasamunejou japanese edition versión kindle amazon es - Oct 13 2022

datemasamunejou japanese edition ebook takemoto tomoshige amazon es tienda kindle

datemasamunetyuu japanese edition kindle ausgabe amazon de - Apr 19 2023

datemasamunetyuu japanese edition ebook takemoto tomoshige amazon de kindle shop

japanese carmaker mitsubishi ending production in china - Apr 07 2022

9 hours ago mitsubishi motors will stop producing vehicles in china in the latest sign of retreat by foreign automakers in the world s biggest car market following weeks of speculation the japanese

datemasamunetyuu japanese edition kindle edition amazon in - Sep 24 2023

datemasamunetyuu japanese edition ebook takemoto tomoshige amazon in kindle store

datemasamunetyuu japanese edition ebook kindle - May 20 2023

compre o ebook datemasamunetyuu japanese edition de takemoto tomoshige na loja ebooks kindle encontre ofertas os livros mais vendidos e dicas de leitura na amazon brasil

amazon com customer reviews datemasamunetyuu japanese edition - Aug 23 2023

find helpful customer reviews and review ratings for datemasamunetyuu japanese edition at amazon com read honest and unbiased product reviews from our users

datemasamunetyuu japanese edition edición kindle - Jan 16 2023

datemasamunetyuu japanese edition ebook takemoto tomoshige amazon com mx tienda kindle

medical surgical nursing clinical management for positive - Aug 09 2022

web jun 11 2004 medical surgical nursing clinical management for positive outcomes 7th edition 7th edition medical surgical nursing clinical management for positive outcomes 7th edition 7th edition by joyce black author jane hokanson hawks author 4 4 14 ratings see all formats and editions

medical surgical nursing clinical management for positive elsevier - Jul 20 2023

web sep 15 2009 description medical surgical nursing clinical management for positive outcomes 8th edition takes you from basic to advanced medical surgical nursing with an enhanced multimedia package that makes it easier to learn and apply concepts

medical surgical nursing pages 1 1177 joyce m black - Jun 07 2022

web medical surgical nursing pages 1 1177 volume 1 of medical surgical nursing clinical management for positive outcomes jane hokanson hawks isbn 1416046879 9781416046875 author joyce

medical surgical nursing endocrine systems disorders joyce m black - Nov 12 2022

web jan 15 2021 joyce m black jane hokanson hawks elsevier health sciences jan 15 2021 medical 171 pages medical surgical nursing clinical management for positive outcomes 8th edition

black j and hawks j eds 2005 medical surgical nursing - Jan 02 2022

web black j and hawks j eds 2005 medical surgical nursing management for positive outcomes 8th edition saunders new york references scientific research publishing

medical surgical nursing google books - Apr 17 2023

web medical surgical nursing clinical management for positive outcomes volume 2 joyce m black jane hokanson hawks annabelle m keene w b saunders 2001 nursing 2310 pages

elsevier medical surgical nursing elsevier ebook on - Dec 13 2022

web elsevier medical surgical nursing elsevier ebook on vitalsource 8th edition black hawks medical surgical nursing clinical management for positive outcomes 8th edition takes you from basic to advanced medical surgical nursing with an enhanced multimedia package that makes it easier to l dentistry medicine nursing veterinary

medical surgical nursing clinical management for positive - Feb 15 2023

web black joyce m and jane hokanson hawks medical surgical nursing clinical management for positive outcomes st louis mo elsevier saunders 2005 mla citation style guide black joyce m and jane hokanson hawks medical surgical nursing clinical management for positive outcomes 7th ed st louis mo elsevier saunders

medical surgical nursing elsevier elibrary - Mar 04 2022

web elsevier elibrary medical surgical nursing single volume 8ed japanese english joyce m black jane hokanson hawks 0 rating format ebook read this on 1 what are ebooks 2 will it work on medical surgical nursing single volume 8ed book details isbn 13 9781416036418 home about us contact us

study guide for black hawks medical surgical nursing clinical - May 06 2022

web study guide for black hawks medical surgical nursing clinical management for positive outcomes eighth edition sublett cynthia m free download borrow and streaming internet archive

med surg nursing clinical hbk 17 app store - Apr 05 2022

web download med surg nursing clinical hbk and enjoy it on your iphone ipad and ipod touch clinical handbook for brunner suddarth s textbook of medical surgical nursing 14th edition download the free app and view selected topics approximately 10 of the content is viewable in the free app and tapping on the locked topic will launch the

medical surgical nursing 2008 edition open library - Sep 10 2022

web medical surgical nursing by joyce m black jane hokanson hawks joyce black 2008 elsevier health sciences division edition in english

medical surgical nursing elsevier ebook on vitalsource 8th - Jan 14 2023

web mar 28 2008 medical surgical nursing clinical management for positive outcomes 8th edition takes you from basic to advanced medical surgical nursing with an enhanced multimedia package that makes it easier to learn and apply concepts this text provides a reliable foundation in anatomy and physiology pathophysiology medical management

medical surgical nursing clinical management for positive - Mar 16 2023

web apr 11 2008 medical surgical nursing clinical management for positive outcomes single volume 8th edition 9781416036418 medicine health science books amazon com

medical surgical nursing clinical management for positive - Jul 08 2022

web joyce m black jane hokanson hawks publisher st louis mo saunders elsevier 2010 edition format print book cd for computer english 8th ed view all editions and formats rating not yet rated 0 with reviews be the first subjects surgical nursing physiology pathological perioperative nursing view all subjects more like

medical surgical nursing google books - Jun 19 2023

web joyce m black jane hokanson hawks elsevier saunders 2005 nursing 2512 pages each edition of medical surgical nursing has not only covered new developments in nursing it has

medical surgical nursing clinical management for google - May 18 2023

web nov 10 2009 medical surgical nursing clinical management for positive outcomes 8th edition takes you from basic to advanced medical surgical nursing with an enhanced multimedia package that makes

welcome to ums etd db ums etd db - Feb 03 2022

web daftar pustaka black j m hawk j 2005 medical surgical nursing clinical management for positive outcomes 7th edition st louis elsevier saunders

medical surgical nursing by joyce m black open library - Oct 11 2022

web dec 31 2022 medical surgical nursing by joyce m black jane hokanson hawks joyce black 2005 elsevier saunders edition in english 7th ed

ehs black hawks medical surgical nursing 7th edition elsevier health - Aug 21 2023

web click here if your browser does not automatically take you to the ehs black hawks medical surgical nursing 7th edition site after a few seconds if your browser does not automatically take you to the ehs black hawks medical surgical nursing 7th edition site after a few seconds