



US012121911B1

(12) **United States Patent**  
**Krichtafovitch et al.**(10) **Patent No.:** **US 12,121,911 B1**  
(45) **Date of Patent:** **Oct. 22, 2024**(54) **SUPERVISORY CONTROL AND  
PATHOGEN-DESTROYING  
ELECTROSTATIC PRECIPITATOR SYSTEM**(71) **Applicant:** **AGENTS AIR LLC**, Columbia, MD  
(US)(72) **Inventors:** **Igor Krichtafovitch**, Kiev (UA); **Alan  
Visco**, Seattle, WA (US); **Larry  
Rothenberg**, Kensington, MD (US)(73) **Assignor:** **AGENTS AIR LLC**, Columbia, MD  
(US)(\*) **Notice:** Subject to any disclaimer, the term of this  
patent is extended or adjusted under 35  
U.S.C. 154(b) by 0 days.(21) **Appl. No.:** **18/208,842**(22) **Filed:** **Jun. 12, 2023****Related U.S. Application Data**(63) Continuation-in-part of application No. 18/208,844,  
filed on Jun. 12, 2023, and a continuation-in-part of  
application No. 18/208,847, filed on Jun. 12, 2023,  
and a continuation-in-part of application No.  
18/208,845, filed on Jun. 12, 2023.

(Continued)

(51) **Int. Cl.**  
**B03C 3/68** (2006.01)  
**A61L 9/015** (2006.01)  
**A61L 9/16** (2006.01)  
**B01D 53/02** (2006.01)  
**B01D 53/06** (2006.01)  
**B03C 3/017** (2006.01)  
**B03C 3/36** (2006.01)(52) **U.S. Cl.**  
CPC \_\_\_\_\_ **B03C 3/68** (2013.01); **A61L 9/015**  
(2013.01); **A61L 9/16** (2013.01); **B01D 53/023**  
(2013.01); **B01D 53/0675** (2013.01); **B03C**  
**3/017** (2013.01); **B03C 3/36** (2013.01); **A61L****2209/111** (2013.01); **A61L 2209/134** (2013.01);  
**A61L 2209/14** (2013.01); **A61L 2209/16**  
(2013.01); **B01D 2257/106** (2013.01); **B01D**  
**2257/91** (2013.01); **B01D 2259/018** (2013.01)(58) **Field of Classification Search**CPC — **B03C 3/68**; **B03C 3/017**; **B03C 3/36**; **A61L**  
**9/015**; **A61L 9/16**; **A61L 2209/111**; **A61L**  
**2209/134**; **A61L 2209/14**; **A61L 2209/16**;  
**B01D 53/023**; **B01D 53/0675**; **B01D**  
**2257/106**; **B01D 2257/91**; **B01D**  
**2259/018**USPC \_\_\_\_\_ **2259/818**  
**422/105**  
See application file for complete search history.

(56)

**References Cited****U.S. PATENT DOCUMENTS****895,729 A** \* **K** 1908 **Costell** \_\_\_\_\_ **B03C 3/36**  
**3,915,672 A** \* **H** 1975 **Penny** \_\_\_\_\_ **96/23**

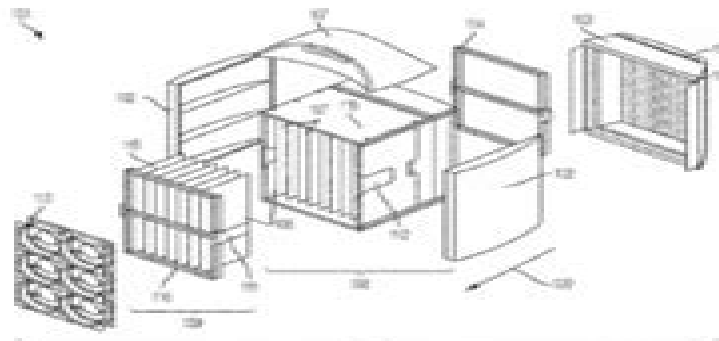
(Continued)

**OTHER PUBLICATIONS**U.S. Appl. No. 63/551,339, filed Jun. 12, 2022, Igor Krichtafovitch,  
Entire Document.

(Continued)

*Primary Examiner* — Huy Tram Nguyen(74) *Attorney, Agent, or Firm* — Ungerman IP PLLC;  
Mark H. Ungerman

(57)

**ABSTRACT**An electrostatic air cleanser may be operated according to a  
manner designed to achieve acceptable air quality while  
balancing power usage and corona electrode degradation  
levels. The voltage applied to the corona electrode(s) may be  
controlled as well as the voltage applied to repelling electro-  
des and air flow velocity. The air cleanser may also be  
operated to achieve desired particle separation.**13 Claims, 6 Drawing Sheets**

12121911 Ffr44

**G Orfield**



**12121911 Ffr44:**

## Enjoying the Song of Appearance: An Mental Symphony within **12121911 Ffr44**

In some sort of taken by screens and the ceaseless chatter of immediate interaction, the melodic splendor and psychological symphony produced by the published term usually disappear into the background, eclipsed by the persistent noise and disturbances that permeate our lives. But, located within the pages of **12121911 Ffr44** a stunning fictional prize filled with organic emotions, lies an immersive symphony waiting to be embraced. Crafted by a wonderful musician of language, that captivating masterpiece conducts readers on a psychological journey, skillfully unraveling the concealed songs and profound impact resonating within each carefully crafted phrase. Within the depths of this emotional assessment, we can discover the book is central harmonies, analyze their enthralling writing model, and surrender ourselves to the profound resonance that echoes in the depths of readers souls.

[https://py.bijouxmedusa.com/files/publication/default.aspx/name\\_lesson\\_5\\_6\\_number\\_patterns.pdf](https://py.bijouxmedusa.com/files/publication/default.aspx/name_lesson_5_6_number_patterns.pdf)

### **Table of Contents 12121911 Ffr44**

1. Understanding the eBook 12121911 Ffr44
  - The Rise of Digital Reading 12121911 Ffr44
  - Advantages of eBooks Over Traditional Books
2. Identifying 12121911 Ffr44
  - Exploring Different Genres
  - Considering Fiction vs. Non-Fiction
  - Determining Your Reading Goals
3. Choosing the Right eBook Platform
  - Popular eBook Platforms
  - Features to Look for in an 12121911 Ffr44
  - User-Friendly Interface
4. Exploring eBook Recommendations from 12121911 Ffr44
  - Personalized Recommendations

- 12121911 Ffr44 User Reviews and Ratings
- 12121911 Ffr44 and Bestseller Lists
- 5. Accessing 12121911 Ffr44 Free and Paid eBooks
  - 12121911 Ffr44 Public Domain eBooks
  - 12121911 Ffr44 eBook Subscription Services
  - 12121911 Ffr44 Budget-Friendly Options
- 6. Navigating 12121911 Ffr44 eBook Formats
  - ePub, PDF, MOBI, and More
  - 12121911 Ffr44 Compatibility with Devices
  - 12121911 Ffr44 Enhanced eBook Features
- 7. Enhancing Your Reading Experience
  - Adjustable Fonts and Text Sizes of 12121911 Ffr44
  - Highlighting and Note-Taking 12121911 Ffr44
  - Interactive Elements 12121911 Ffr44
- 8. Staying Engaged with 12121911 Ffr44
  - Joining Online Reading Communities
  - Participating in Virtual Book Clubs
  - Following Authors and Publishers 12121911 Ffr44
- 9. Balancing eBooks and Physical Books 12121911 Ffr44
  - Benefits of a Digital Library
  - Creating a Diverse Reading Collection 12121911 Ffr44
- 10. Overcoming Reading Challenges
  - Dealing with Digital Eye Strain
  - Minimizing Distractions
  - Managing Screen Time
- 11. Cultivating a Reading Routine 12121911 Ffr44
  - Setting Reading Goals 12121911 Ffr44
  - Carving Out Dedicated Reading Time
- 12. Sourcing Reliable Information of 12121911 Ffr44
  - Fact-Checking eBook Content of 12121911 Ffr44

- Distinguishing Credible Sources
13. Promoting Lifelong Learning
- Utilizing eBooks for Skill Development
  - Exploring Educational eBooks
14. Embracing eBook Trends
- Integration of Multimedia Elements
  - Interactive and Gamified eBooks

### **12121911 Ffr44 Introduction**

In the digital age, access to information has become easier than ever before. The ability to download 12121911 Ffr44 has revolutionized the way we consume written content. Whether you are a student looking for course material, an avid reader searching for your next favorite book, or a professional seeking research papers, the option to download 12121911 Ffr44 has opened up a world of possibilities. Downloading 12121911 Ffr44 provides numerous advantages over physical copies of books and documents. Firstly, it is incredibly convenient. Gone are the days of carrying around heavy textbooks or bulky folders filled with papers. With the click of a button, you can gain immediate access to valuable resources on any device. This convenience allows for efficient studying, researching, and reading on the go. Moreover, the cost-effective nature of downloading 12121911 Ffr44 has democratized knowledge. Traditional books and academic journals can be expensive, making it difficult for individuals with limited financial resources to access information. By offering free PDF downloads, publishers and authors are enabling a wider audience to benefit from their work. This inclusivity promotes equal opportunities for learning and personal growth. There are numerous websites and platforms where individuals can download 12121911 Ffr44. These websites range from academic databases offering research papers and journals to online libraries with an expansive collection of books from various genres. Many authors and publishers also upload their work to specific websites, granting readers access to their content without any charge. These platforms not only provide access to existing literature but also serve as an excellent platform for undiscovered authors to share their work with the world. However, it is essential to be cautious while downloading 12121911 Ffr44. Some websites may offer pirated or illegally obtained copies of copyrighted material. Engaging in such activities not only violates copyright laws but also undermines the efforts of authors, publishers, and researchers. To ensure ethical downloading, it is advisable to utilize reputable websites that prioritize the legal distribution of content. When downloading 12121911 Ffr44, users should also consider the potential security risks associated with online platforms. Malicious actors may exploit vulnerabilities in unprotected websites to distribute malware or steal personal information. To protect themselves, individuals should ensure their devices have reliable antivirus software

installed and validate the legitimacy of the websites they are downloading from. In conclusion, the ability to download 12121911 Ffr44 has transformed the way we access information. With the convenience, cost-effectiveness, and accessibility it offers, free PDF downloads have become a popular choice for students, researchers, and book lovers worldwide. However, it is crucial to engage in ethical downloading practices and prioritize personal security when utilizing online platforms. By doing so, individuals can make the most of the vast array of free PDF resources available and embark on a journey of continuous learning and intellectual growth.

### **FAQs About 12121911 Ffr44 Books**

How do I know which eBook platform is the best for me? Finding the best eBook platform depends on your reading preferences and device compatibility. Research different platforms, read user reviews, and explore their features before making a choice. Are free eBooks of good quality? Yes, many reputable platforms offer high-quality free eBooks, including classics and public domain works. However, make sure to verify the source to ensure the eBook credibility. Can I read eBooks without an eReader? Absolutely! Most eBook platforms offer webbased readers or mobile apps that allow you to read eBooks on your computer, tablet, or smartphone. How do I avoid digital eye strain while reading eBooks? To prevent digital eye strain, take regular breaks, adjust the font size and background color, and ensure proper lighting while reading eBooks. What the advantage of interactive eBooks? Interactive eBooks incorporate multimedia elements, quizzes, and activities, enhancing the reader engagement and providing a more immersive learning experience. 12121911 Ffr44 is one of the best book in our library for free trial. We provide copy of 12121911 Ffr44 in digital format, so the resources that you find are reliable. There are also many Ebooks of related with 12121911 Ffr44. Where to download 12121911 Ffr44 online for free? Are you looking for 12121911 Ffr44 PDF? This is definitely going to save you time and cash in something you should think about. If you trying to find then search around for online. Without a doubt there are numerous these available and many of them have the freedom. However without doubt you receive whatever you purchase. An alternate way to get ideas is always to check another 12121911 Ffr44. This method for see exactly what may be included and adopt these ideas to your book. This site will almost certainly help you save time and effort, money and stress. If you are looking for free books then you really should consider finding to assist you try this. Several of 12121911 Ffr44 are for sale to free while some are payable. If you arent sure if the books you would like to download works with for usage along with your computer, it is possible to download free trials. The free guides make it easy for someone to free access online library for download books to your device. You can get free download on free trial for lots of books categories. Our library is the biggest of these that have literally hundreds of thousands of different products categories represented. You will also see that there are specific sites catered to different

product types or categories, brands or niches related with 12121911 Ffr44. So depending on what exactly you are searching, you will be able to choose e books to suit your own need. Need to access completely for Campbell Biology Seventh Edition book? Access Ebook without any digging. And by having access to our ebook online or by storing it on your computer, you have convenient answers with 12121911 Ffr44 To get started finding 12121911 Ffr44, you are right to find our website which has a comprehensive collection of books online. Our library is the biggest of these that have literally hundreds of thousands of different products represented. You will also see that there are specific sites catered to different categories or niches related with 12121911 Ffr44 So depending on what exactly you are searching, you will be able to choose ebook to suit your own need. Thank you for reading 12121911 Ffr44. Maybe you have knowledge that, people have search numerous times for their favorite readings like this 12121911 Ffr44, but end up in harmful downloads. Rather than reading a good book with a cup of coffee in the afternoon, instead they juggled with some harmful bugs inside their laptop. 12121911 Ffr44 is available in our book collection an online access to it is set as public so you can download it instantly. Our digital library spans in multiple locations, allowing you to get the most less latency time to download any of our books like this one. Merely said, 12121911 Ffr44 is universally compatible with any devices to read.

**Find 12121911 Ffr44 :****name lesson 5 6 number patterns****neotropical birds ecology and conservation****money and banking questions answers****nanga parbat la montagna del destino****new generation history grade 12****my funny valentine sheet music**modern machining process by pandey and shannew apostolic church music**molecular cloning laboratory second edition****nebosh international diploma hse council**modern chemistry section 1 quiz answer keymusique classique pour les nuls pdfneuroanatomy an atlas of structures sections and systems neuroanatomy an atlas of structures sections and systems haines eighth north american editionmodern database management 12th edition hoffer test bank

*nelson chemistry 12 lab answers*

**12121911 Ffr44 :**

[pons kompaktwörterbuch türkisch türkisch deutsch](#) - Jul 06 2022

web pons kompaktwörterbuch türkisch türkisch deutsch kolektif amazon com tr kitap kitap Çok satanlar edebiyat ve kurgu İş ve ekonomi siyaset ve felsefe

**pons gmbh pons kompaktwörterbuch türkisch deutsch** - Feb 01 2022

web pons gmbh pons kompaktwörterbuch türkisch deutsch deutsch türkisch yorumlarını inceleyin trendyol a özel indirimli fiyata satın alın

**pons standardwörterbuch türkisch ideal zum** - Jun 17 2023

web pons standardwörterbuch türkisch ideal zum sprachenlernen türkisch deutsch deutsch türkisch kitabı hakkında bilgileri içeren kitap satış sayfası kitapları ve pons gmbh 2007 baskısı kitaplar ile ikinci el ve yeni 10 milyon kitap nadirkitap com da

[pons gmbh pons basiswörterbuch türkisch kitabı ve fiyatı](#) - Mar 14 2023

web pons un pratik cep boyutundaki türkçe sözlüğü en güncel türkçe kelime dağarcığı da dahil olmak üzere 50 000 türkçe anahtar kelime ve kelime öbeği içerir türkiye ye seyahat etmek ve

*pons standardwörterbuch türkisch by gregor vetter open* - Dec 11 2022

web jan 1 2002 pons standardwörterbuch türkisch by gregor vetter michael reinhard hess gülsüm yilmaz january 1 2002 klett edition hardcover pons

[pons standardwörterbuch türkisch deutsch deutsch](#) - Feb 13 2023

web pons standardwörterbuch türkisch deutsch deutsch türkisch ideal zum sprachenlernen

**pons standardwörterbuch türkisch hardcover amazon com** - Jan 12 2023

web pons standardwörterbuch türkisch on amazon com free shipping on qualifying offers pons standardwörterbuch türkisch *pons kompaktwörterbuch türkisch türkisch deutsch amazon de* - Sep 08 2022

web pons kompaktwörterbuch türkisch türkisch deutsch deutsch türkisch rund 120 000 stichwörter und wendungen nazim kiyyi isbn 9783125174665 kostenloser versand für alle bücher mit versand und verkauf duch amazon

[pons kompaktwörterbuch türkisch türkisch deutsch](#) - Oct 09 2022

web pons kompaktwörterbuch türkisch türkisch deutsch kitabı en iyi fiyatla burada tıkla pons kompaktwörterbuch türkisch türkisch deutsch eserini hızlı ve kolay bir şekilde satın al

*pons kompaktwörterbuch türkisch türkisch deutsch deutsch* - Mar 02 2022

web pons kompaktwörterbuch türkisch türkisch deutsch deutsch türkisch en yeni kelimeleri içeren kapsamlı kelime dağarcığı

gibi blog yazmak nanoteknoloji manifa

**pons kompaktwörterbuch türkisch türkisch deutsch deutsch** - May 04 2022

web pons kompaktwörterbuch türkisch türkisch deutsch deutsch türkisch mit online wörterbuch 9783125179745

**pons standardwörterbuch türkisch deutsch deutsch türkisch** - Aug 19 2023

web seviyeye göre Ürünler okul Öncesi İlkokul ortaokul lise Çizgi roman puzzle

pons çeviri almanca türkçe - Jul 18 2023

web pons çevirisi hepsi tek bir uygulamada almanca türkçe sözlüğü ve metin çevirisi birleşiyor İster klavye üzerinden gir ister sesli gir veya fotoğrafını çek fotoğrafları resimleri veya konuşma ve yazılı metni hızlı ve güvenilir bir şekilde bir

**pons kompaktwörterbuch türkisch türkisch deutsch pons gmbh** - Apr 03 2022

web pons kompaktwörterbuch türkisch türkisch deutsch pons gmbh en iyi özellikleri ve gerçek kullanıcı yorumları en ucuz fiyatlarla n11 com da kampanyalı ve indirimli fiyatlarla satın al

pons Übersetzungen die nummer 1 für deutsch türkisch - Sep 20 2023

web das online wörterbuch deutsch türkisch von pons ist ein kostenloses online nachschlagewerk für alle suche ein wort oder einen satz indem du etwas in das suchfeld tippst du kannst auswählen ob du in beiden sprachrichtungen zugleich oder in einer bestimmten sprachrichtung suchen möchtest

**pons kompaktwörterbuch türkisch ciltli kapak değişebilir** - Aug 07 2022

web pons kompaktwörterbuch türkisch ciltli kapak değişebilir ciltli kapak 1 ocak 2015 türkçe baskı komisyon eser sahibi 30 değerlendirme tüm biçimleri ve sürümleri görün

**pons gmbh pons basiswörterbuch türkisch türkisch trendyol** - May 16 2023

web pons gmbh pons basiswörterbuch türkisch türkisch deutsch deutsch türkisch fiyatı yorumları trendyol göğüs pedi göğüs kremi taşıma güvenlik bebek arabası puset park yatak ana kucağı portbebe kanguru yürüteç oto koltuğu baston puset kanguru bebek salıncakları bebek odası bebek beşiği bebek yatağı bebek

pons standardwörterbuch türkisch deutsch deutsch türkisch - Apr 15 2023

web jan 15 2023 pons standardwörterbuch türkisch deutsch deutsch türkisch by osman nazım kıyğı 2007 klett sprachen edition in german deutsch Neubearb 2007 1 aufl pons standardwörterbuch türkisch deutsch deutsch türkisch by osman nazım kıyğı open library

*pons standardwörterbuch türkisch worldcat org* - Nov 10 2022

web get this from a library pons standardwörterbuch türkisch deutsch deutsch türkisch ideal zum sprachenlernen osman nazım kıyğı

*pons praxiswörterbuch türkisch 9786056355202 kitapsec* - Jun 05 2022

web renkli resimlerle kendi kendine İngilizce fono yayınları 240 00 tl 192 00 tl 23 adet satıldı pons praxiswörterbuch praxiswörterbuch türkisch 9786056355202

**slippery when wet by cairo overdrive ebooks audiobooks** - Sep 06 2022

web nov 5 2013 slippery when wet ebook a novel by cairo format ebook isbn 9781593094355 author cairo publisher strebor books release 05 november 2013 subjects erotic literature fiction literature find this title in libby the library reading app by overdrive search for a digital library with this title search by city zip code or library

**slippery when wet by cairo overdrive ebooks audiobooks** - Feb 28 2022

web may 19 2020 slippery when wet audiobook unabridged zane presents by cairo format audiobook edition unabridged series zane presents author cairo narrator bessie lee publisher recorded books inc release 19 may 2020 subjects erotic literature fiction literature lgbtqia fiction

*slippery when wet book by cairo official publisher page* - Oct 19 2023

web slippery when wet by cairo these five salacious stories are filled to the brim with sizzling steamy erotica for anyone who enjoys fantasizes about or si

**slippery when wet by cairo publishers weekly** - Feb 11 2023

web cairo the kat trap dedicates this collection to undercover freaks who will appreciate these five erotic stories featuring african american women enjoying same sex passion

[slippery when wet cairo amazon com au books](#) - Apr 13 2023

web slippery when wet cairo amazon com au books skip to main content com au delivering to sydney 1171 sign in to update books select the department you want to search in search amazon com au en hello

**slippery when wet by cairo audiobook scribd** - Jul 04 2022

web listen to slippery when wet by cairo with a free trial listen to bestselling audiobooks on the web ipad iphone and android these five salacious stories are filled to the brim with sizzling steamy erotica for anyone who enjoys fantasizes about

**amazon com slippery when wet audible audio edition cairo** - Nov 08 2022

web slippery when wet audible audiobook unabridged cairo author bessie lee narrator rakeem minajj narrator recorded books publisher 1 more 4 4 4 4 out of 5 stars 129 ratings

**slippery when wet a novel zane presents kindle edition by cairo** - Jul 16 2023

web nov 5 2013 slippery when wet a novel zane presents kindle edition by cairo download it once and read it on your kindle device pc phones or tablets use features like bookmarks note taking and highlighting while reading slippery when wet

**slippery when wet book by cairo thriftbooks** - Aug 05 2022

web buy a cheap copy of slippery when wet book by cairo these five salacious stories are filled to the brim with sizzling

steamy erotica for anyone who enjoys slippery when wet by cairo no customer reviews select format paperback 10 29 16 86  
paperback 10 29 16 86 mass market paperback

**slippery when wet a novel zane presents amazon com** - Sep 18 2023

web paperback november 5 2013 these five salacious stories are filled to the brim with sizzling steamy erotica for anyone who enjoys fantasizes about or simply craves girl girl sex ava wilson a full figured single diva has always wondered what having sex with a woman would be like

**slippery when wet a novel cairo amazon ca books** - May 14 2023

web slippery when wet a novel cairo amazon ca books skip to main content ca hello select your address books select the department you want to search in en hello sign in account lists

*buy slippery when wet book by cairo secondsale com* - Apr 01 2022

web nov 5 2013 slippery when wet isbn 1593094353 ean13 9781593094355 language english release date nov 5 2013 pages 304 dimensions 0 9 h x 8 2 l x 5 1 w weight 0 71 lbs format paperback publisher strebor books favorite add to wishlist  
slippery when wet 131 ratings arrow drop down 4 5 out of 5

**slippery when wet cairo google books** - Oct 07 2022

web these five salacious stories are filled to the brim with sizzling steamy erotica for anyone who enjoys fantasizes about or simply craves girl girl sex in juicy fruit ava wilson a full figured single diva has always wondered what having sex with a woman would be like so when she goes on a weekend getaway with her friend ava allows curiosity to get the

*slippery when wet a novel zane presents kindle edition by cairo* - Dec 29 2021

web nov 5 2013 slippery when wet a novel zane presents kindle edition by cairo download it once and read it on your kindle device pc phones or tablets use features like bookmarks note taking and highlighting while reading slippery when wet

**slippery when wet by cairo audiobooks on google play** - Mar 12 2023

web slippery when wet audiobook written by cairo narrated by bessie lee and rakeem minajj get instant access to all your favorite books no monthly commitment listen online or offline with android ios web chromecast and google assistant try google play audiobooks today

**slippery when wet by cairo open library** - Jun 15 2023

web dec 5 2022 slippery when wet 1st strebor books trade pbk ed by cairo 0 ratings 2 want to read 0 currently reading 0  
have read this edition doesn t have a description yet can you add one publish date 2013 publisher strebor books language english pages 287 subjects

[slippery when wet ebook by cairo rakuten kobo](#) - Jan 10 2023

web a novel by cairo synopsis expand collapse synopsis these five salacious stories are filled to the brim with sizzling steamy

erotica for anyone who enjoys fantasizes about or simply craves girl girl sex ava wilson a full figured single diva has always wondered what having sex with a woman would be like

*slippery when wet by cairo audiobook audible com* - Dec 09 2022

web slippery when wet as it s meant to be heard narrated by bessie lee rakeem minajj discover the english audiobook at audible free trial available

*the stud palace kindle edition by cairo literature fiction* - May 02 2022

web oct 1 2013 cairo is the author of more than twenty books including the pleasure zone slippery when wet the stud palace kitty kitty bang bang daddy long stroke the man handler the kat trap and the deep throat diva series his

listen free to slippery when wet by cairo with a free trial - Jun 03 2022

web listen free to slippery when wet audiobook by cairo with a 30 day free trial stream and download audiobooks to your computer tablet and ios and android devices

**slippery when wet by cairo open library** - Jan 30 2022

web slippery when wet a novel by cairo 0 ratings 2 want to read 0 currently reading 0 have read

slippery when wet cairo free download borrow and - Aug 17 2023

web slippery when wet cairo free download borrow and streaming internet archive by cairo publication date 2013 topics lesbians fiction african american women fiction publisher new york sbi strebor books collection inlibrary printdisabled internetarchivebooks contributor internet archive language english

**how to choose an underwater camera and housing a step by step guide** - Jul 02 2022

web hi guys i hope you find this mini course module helpful in making the right choice on what camera and housing setup you might look to purchase it s a long o

a step by step guide to underwater video paperback - Sep 04 2022

web oct 30 2003 a step by step guide to underwater video john boyle on amazon com free shipping on qualifying offers a step by step guide to underwater video

**7 steps to become an underwater welder training youtube** - Feb 26 2022

web 7 steps to becoming an underwater welder training certification and on the job skills the video provides a step by step guide on how to become an underwa

*underwater video basics brent durand underwater* - Jun 13 2023

web jan 4 2020 underwater video is an incredible way to present the ocean world to fellow scuba divers and marine life lovers video captures the movements sounds and motions of the sea making the viewer feel like they are part of the action in this video tutorial and companion article we ll review underwater video basics

**the ultimate guide to shooting underwater video mozaik uw** - Mar 10 2023

web nov 8 2021 shooting video using manual exposure finally we get to it how do we shoot video at manual exposure and what are the advantages the shooting part is practically very easy let s examine what we want to achieve keep the iso as low as possible keep up with the 180 degree rule make creative choices with our aperture

**a step by step guide to underwater video on vimeo** - May 12 2023

web fun to read and beautifully illustrated this is the book that everyone who uses a video camera underwater or is thinking of doing should read from the first step

underwater photography a step by step guide to ta - Dec 27 2021

web high definition underwater video dare to lead hiroshima make way for ducklings the soul of the camera the underwater photographer underwater photography a step by step guide to ta 3 3 hour by hour picture by picture journey from dawn to dusk and then on into the night each chapter focuses on the

**a step by step guide to underwater video boyle john free** - Aug 15 2023

web subtitle on cover an essential guide to underwater videography with tips on equipment techniques and how to make money from your hobby access restricted item true

**how to shoot underwater videos that captivate your audience** - Apr 11 2023

web for those of you who are looking at how to take video underwater for a professional or school project this guide will also help you learn how to adjust and edit underwater footage so you can get the perfect video of your adventures under the sea

**how to shoot amazing underwater short video divephotoguide** - Jan 08 2023

web apr 19 2019 i ll go through each step of this process setting up the camera shooting underwater and a basic editing workflow when talking about this type of video i m referring to catchy mini videos that are between 30 to 90 seconds long

*the camera coach your guide to shooting underwater video* - Aug 03 2022

web nov 20 2006 annie crawley created this step by step dvd your guide to creating underwater video to teach you visually how to make better images both above and below the water whether you are new to shooting or have owned your camera system for years and simply want to refine your techniques there s no better tool available to help you

davinci resolve for underwater videographers part i importing - Nov 06 2022

web sep 18 2019 davinci resolve for underwater videographers part i importing organizing and first edits by jonathan venn september 18 2019 04 00 am est

*a step by step guide to underwater video goodreads* - Oct 05 2022

web a step by step guide to underwater video book read reviews from world s largest community for readers

**how to draw an underwater scene really easy drawing tutorial** - Mar 30 2022

---

web feb 24 2020 learn how to draw a great looking underwater scene with easy step by step drawing instructions and video tutorial by following the simple steps you too can easily draw a perfect underwater scene jump to the step by step instructions

**how to draw an underwater scenery for beginners step by step** - Apr 30 2022

web feb 22 2018 share 295k views 5 years ago kids beginners hey guys this video is about drawing a very simple underwater scene for beginners it s a step by step demonstration so you can follow me while

*a step by step guide to underwater video paperback* - Dec 07 2022

web buy a step by step guide to underwater video by john boyle isbn 9780953891962 from amazon s book store free uk delivery on eligible orders

**how to draw underwater scenery step by step easy draw** - Jan 28 2022

web oct 18 2017 very easy drawing of underwater scenery step by step it is a clear cut easily understood detailed method to help you

**underwater video tips underwater photography guide** - Jul 14 2023

web this online book and magazine is a complete underwater photography tutorial full of u w photography tips and techniques our idea is simple learn shoot explore we hope you enjoy and come back often scott gietler owner of uwpg and bluewater photo travel

*simple watercolor underwater scene painting tutorial* - Jun 01 2022

web jul 10 2020 not only you will discover how to paint with watercolors but also how to use the sea salt technique sea salt watercolor to paint watercolor sea if you are looking for painting underwater

*how to dive into a pool for beginners step by step guide* - Feb 09 2023

web may 28 2021 learn how to dive into a swimming pool in 6 steps once you master these dive fundamentals you ll be ready to try a racing start thanks to underwater audio