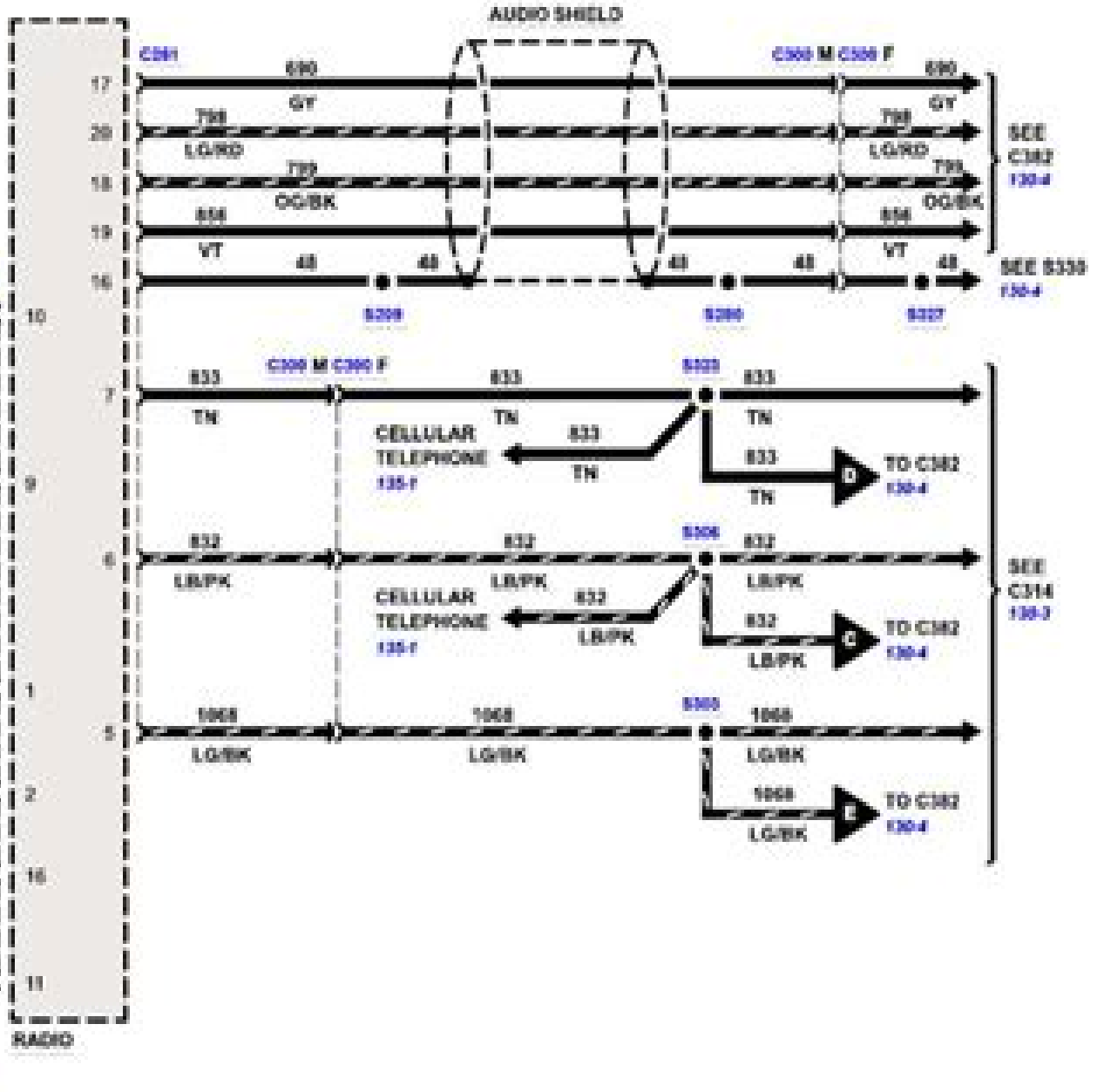
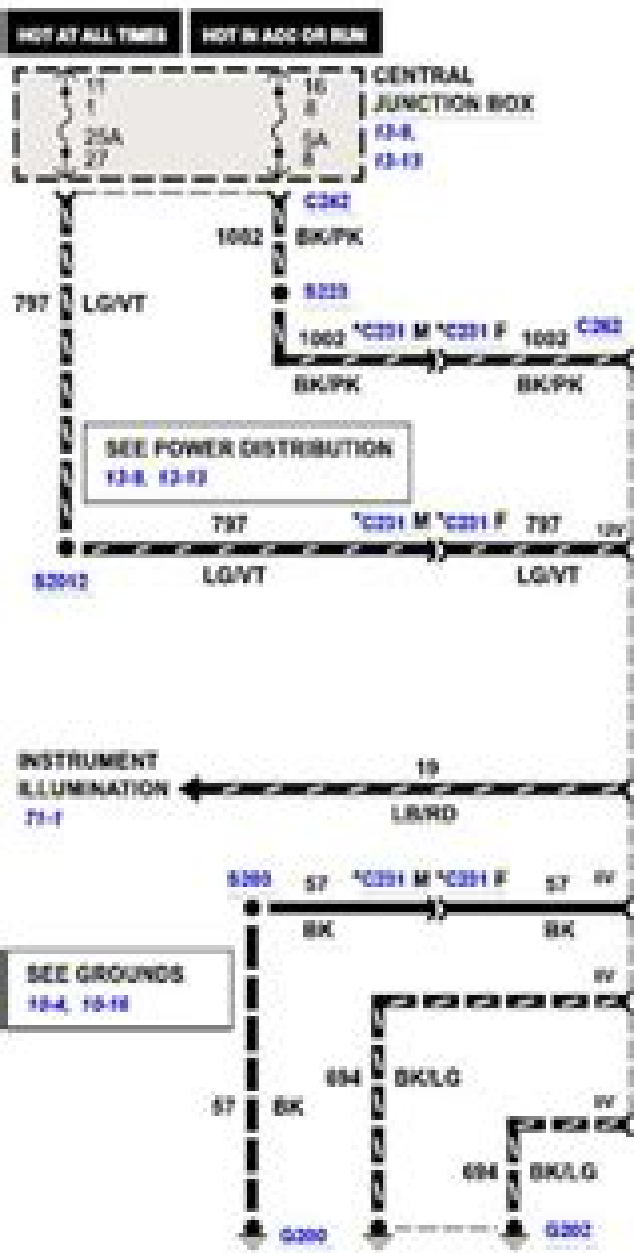


For diagnostic information, refer to section 415-00 of the Workshop Manual.

* W/REAR SEAT ENTERTAINMENT

PREMIUM



2004 Ford Expedition Wiring Diagram

Ford Motor Company



2004 Ford Expedition Wiring Diagram:

Books In Print 2004-2005 Ed Bowker Staff, Staff Bowker, Ed, 2004 *2001 Ford Expedition/Navigator* Ford Motor Company, 2000 2004 Ford F-150 Wiring Diagrams Ford Motor Company, 2025-01-17 This 2004 Ford F 150 Wiring Diagrams is a high quality licensed PRINT reproduction of the service manual authored by Ford Motor Company and published by Detroit Iron This OEM factory manual is 11 x 8 5 inches paperback bound shrink wrapped and contains 368 pages of comprehensive mechanical instructions with detailed diagrams photos and specifications for the mechanical components of your vehicle such as the engine transmission suspension brakes fuel exhaust steering electrical and drive line Service repair manuals were originally written by the automotive manufacturer to be used by their dealership mechanics The following 2004 Ford models are covered F 150 This factory written Detroit Iron shop manual is perfect for the restorer or anyone working on one of these vehicles **2004 Ford E-Series Van Wiring Diagrams** Ford Motor Company, 2025-01-17 This 2004 Ford E Series Van Wiring Diagrams is a high quality licensed PRINT reproduction of the service manual authored by Ford Motor Company and published by Detroit Iron This OEM factory manual is 11 x 8 5 inches paperback bound shrink wrapped and contains 432 pages of comprehensive mechanical instructions with detailed diagrams photos and specifications for the mechanical components of your vehicle such as the engine transmission suspension brakes fuel exhaust steering electrical and drive line Service repair manuals were originally written by the automotive manufacturer to be used by their dealership mechanics The following 2004 Ford models are covered E 150 E 150 Club Wagon E 250 E 350 Club Wagon E 350 Super Duty This factory written Detroit Iron shop manual is perfect for the restorer or anyone working on one of these vehicles **2004 Ford F-150 Heritage & SVT Wiring Diagrams Manual** Ford Motor Company, 2025-01-17 This 2004 Ford F 150 Heritage SVT Wiring Diagrams Manual is a high quality licensed PRINT reproduction of the service manual authored by Ford Motor Company and published by Detroit Iron This OEM factory manual is 11 x 8 5 inches paperback bound shrink wrapped and contains 454 pages of comprehensive mechanical instructions with detailed diagrams photos and specifications for the mechanical components of your vehicle such as the engine transmission suspension brakes fuel exhaust steering electrical and drive line Service repair manuals were originally written by the automotive manufacturer to be used by their dealership mechanics The following 2004 Ford models are covered F 150 Heritage This factory written Detroit Iron shop manual is perfect for the restorer or anyone working on one of these vehicles **2004 Ford Super Duty F-250, F-350, F-450, F-550 Wiring Diagrams** Ford Motor Company, 2025-09-11 This 2004 Ford Super Duty F 250 F 350 F 450 F 550 Wiring Diagrams is a high quality licensed PRINT reproduction of the service manual authored by Ford Motor Company and published by Detroit Iron This OEM factory manual is 11 x 8 5 inches paperback bound shrink wrapped and contains 542 pages of comprehensive mechanical instructions with detailed diagrams photos and specifications for the mechanical components of your vehicle such as the engine transmission suspension brakes fuel exhaust steering electrical and drive line

Service repair manuals were originally written by the automotive manufacturer to be used by their dealership mechanics The following 2004 Ford models are covered Excursion F 250 Super Duty F 350 Super Duty F 450 Super Duty F 550 Super Duty This factory written Detroit Iron shop manual is perfect for the restorer or anyone working on one of these vehicles

Boyce's Wiring Diagram Manual: Ford - AU Falcon, Ford - AU Falcon Series II, Holden - VT Commodore ,2001 *Ford Truck Wiring Diagrams* Ford Motor Co,1975 **Ka Repair Manual Wiring Diagrams** ,1996 **2001 Ford F-150 Ford Motor Company,2000** **Ford Model T Wiring Diagram 1909-1925** Doug A. McIntosh,1990 **Ford Model A Electrical Wiring Diagram for Cars with Cowl Lamps** Doug A. McIntosh,1990-01-01 *1967 Ford Medium/Heavy Duty Truck Wiring Diagrams - N, NT, C, CT-Series & W-Series* Ford Motor Company,2025-01-17 This 1967 Ford Medium Heavy Duty Truck Wiring Diagrams N NT C CT Series W Series is a high quality licensed PRINT reproduction of the service manual authored by Ford Motor Company and published by Detroit Iron This OEM factory manual is 17 x 11 inches COMB bound shrink wrapped and contains 92 pages of comprehensive electrical and vacuum circuit diagrams and diagnosis instructions Service repair manuals were originally written by the automotive manufacturer to be used by their dealership mechanics The following 1967 Ford models are covered C 550 C 600 C 700 C 750 C 800 C 850 C 950 C 1000 C 6000 C 7000 C 8000 CT 800 CT 850 CT 950 N 500 N 600 N 700 N 750 N 850 N 950 N 1000 N 6000 N 7000 N 8000 NT 850 NT 950 NT 8000 This factory written Detroit Iron shop manual is perfect for the restorer or anyone working on one of these vehicles *1963 Ford Medium / Heavy Duty Truck Wiring Diagrams - C, CT, H, HT, N, & NT Series* Ford Motor Company,2025-01-17 This 1963 Ford Medium Heavy Duty Truck Wiring Diagrams C CT H HT N NT Series is a high quality licensed PRINT reproduction of the service manual authored by Ford Motor Company and published by Detroit Iron This OEM factory manual is 17 x 11 inches COMB bound shrink wrapped and contains 48 pages of comprehensive electrical and vacuum circuit diagrams and diagnosis instructions Service repair manuals were originally written by the automotive manufacturer to be used by their dealership mechanics The following 1963 Ford models are covered C 550 C 600 C 700 C 750 C 800 C 850 C 950 C 1000 C 1100 C 6000 C 7000 CT 750 CT 800 CT 850 CT 950 H 1000 HT 950 N 500 N 600 N 700 N 750 N 850 N 950 N 1000 N 1100 N 6000 N 7000 NT 850 NT 950 This factory written Detroit Iron shop manual is perfect for the restorer or anyone working on one of these vehicles 1968 Ford Medium/Heavy Duty Truck Wiring Diagrams - N, NT, C, CT-Series & W-Series Ford Motor Company,2025-01-17 This 1968 Ford Medium Heavy Duty Truck Wiring Diagrams N NT C CT Series W Series is a high quality licensed PRINT reproduction of the service manual authored by Ford Motor Company and published by Detroit Iron This OEM factory manual is 17 x 11 inches COMB bound shrink wrapped and contains 96 pages of comprehensive electrical and vacuum circuit diagrams and diagnosis instructions Service repair manuals were originally written by the automotive manufacturer to be used by their dealership mechanics The following 1968 Ford models are covered C 550 C 600 C 700 C 750 C 800 C 850 C 950 C 1000 C 6000 C 7000 C 8000 CT 800 CT 850 CT 950 N 500 N 600 N 700 N 750 N 850 N 950 N 1000

N 6000 N 7000 N 8000 NT 850 NT 950 NT 8000 W 1000 WT 1000 This factory written Detroit Iron shop manual is perfect for the restorer or anyone working on one of these vehicles **1965 Ford Medium / Heavy Duty Truck Wiring Diagrams - C, CT, H, HT, N, & NT Series** Ford Motor Company,2025-01-17 This 1965 Ford Medium Heavy Duty Truck Wiring Diagrams C CT H HT N NT Series is a high quality licensed PRINT reproduction of the service manual authored by Ford Motor Company and published by Detroit Iron This OEM factory manual is 17 x 11 inches COMB bound shrink wrapped and contains 38 pages of comprehensive electrical and vacuum circuit diagrams and diagnosis instructions Service repair manuals were originally written by the automotive manufacturer to be used by their dealership mechanics The following 1965 Ford models are covered C 550 C 600 C 700 C 750 C 800 C 850 C 950 C 1000 C 1100 C 6000 C 7000 CT 750 CT 800 CT 850 CT 950 H 1000 HT 950 N 500 N 600 N 700 N 750 N 850 N 950 N 1000 N 1100 N 6000 N 7000 NT 850 NT 950 This factory written Detroit Iron shop manual is perfect for the restorer or anyone working on one of these vehicles **1999 Ford F-150/250** Ford Motor Company,2000 **2001 Ford Excursion/F-super Duty F-250-550** Ford Motor Company,2000 **1969 Ford Medium/Heavy Duty Truck Wiring Diagrams - N, NT, C, CT-Series & W-Series** Ford Motor Company,2025-01-17 This 1969 Ford Medium Heavy Duty Truck Wiring Diagrams N NT C CT Series W Series is a high quality licensed PRINT reproduction of the service manual authored by Ford Motor Company and published by Detroit Iron This OEM factory manual is 17 x 11 inches COMB bound shrink wrapped and contains 118 pages of comprehensive electrical and vacuum circuit diagrams and diagnosis instructions Service repair manuals were originally written by the automotive manufacturer to be used by their dealership mechanics The following 1969 Ford models are covered C 550 C 600 C 700 C 750 C 800 C 850 C 950 C 1000 C 6000 C 7000 C 8000 CT 800 CT 850 CT 950 CT 8000 N 500 N 600 N 700 N 750 N 850 N 950 N 1000 N 6000 N 7000 N 8000 NT 850 NT 950 W 1000 WT 1000 This factory written Detroit Iron shop manual is perfect for the restorer or anyone working on one of these vehicles 1999 Ford Mustang Ford Motor Company,2000

As recognized, adventure as without difficulty as experience nearly lesson, amusement, as skillfully as deal can be gotten by just checking out a ebook **2004 Ford Expedition Wiring Diagram** after that it is not directly done, you could give a positive response even more just about this life, a propos the world.

We give you this proper as competently as easy quirk to get those all. We have enough money 2004 Ford Expedition Wiring Diagram and numerous books collections from fictions to scientific research in any way. accompanied by them is this 2004 Ford Expedition Wiring Diagram that can be your partner.

https://py.bijouxmedusa.com/results/virtual-library/Documents/Ideas_Strategies_For_Creators_28_350_Passive_Income_Ideas_Strategies_For.pdf

Table of Contents 2004 Ford Expedition Wiring Diagram

1. Understanding the eBook 2004 Ford Expedition Wiring Diagram
 - The Rise of Digital Reading 2004 Ford Expedition Wiring Diagram
 - Advantages of eBooks Over Traditional Books
2. Identifying 2004 Ford Expedition Wiring Diagram
 - Exploring Different Genres
 - Considering Fiction vs. Non-Fiction
 - Determining Your Reading Goals
3. Choosing the Right eBook Platform
 - Popular eBook Platforms
 - Features to Look for in an 2004 Ford Expedition Wiring Diagram
 - User-Friendly Interface
4. Exploring eBook Recommendations from 2004 Ford Expedition Wiring Diagram
 - Personalized Recommendations
 - 2004 Ford Expedition Wiring Diagram User Reviews and Ratings
 - 2004 Ford Expedition Wiring Diagram and Bestseller Lists

5. Accessing 2004 Ford Expedition Wiring Diagram Free and Paid eBooks
 - 2004 Ford Expedition Wiring Diagram Public Domain eBooks
 - 2004 Ford Expedition Wiring Diagram eBook Subscription Services
 - 2004 Ford Expedition Wiring Diagram Budget-Friendly Options
6. Navigating 2004 Ford Expedition Wiring Diagram eBook Formats
 - ePub, PDF, MOBI, and More
 - 2004 Ford Expedition Wiring Diagram Compatibility with Devices
 - 2004 Ford Expedition Wiring Diagram Enhanced eBook Features
7. Enhancing Your Reading Experience
 - Adjustable Fonts and Text Sizes of 2004 Ford Expedition Wiring Diagram
 - Highlighting and Note-Taking 2004 Ford Expedition Wiring Diagram
 - Interactive Elements 2004 Ford Expedition Wiring Diagram
8. Staying Engaged with 2004 Ford Expedition Wiring Diagram
 - Joining Online Reading Communities
 - Participating in Virtual Book Clubs
 - Following Authors and Publishers 2004 Ford Expedition Wiring Diagram
9. Balancing eBooks and Physical Books 2004 Ford Expedition Wiring Diagram
 - Benefits of a Digital Library
 - Creating a Diverse Reading Collection 2004 Ford Expedition Wiring Diagram
10. Overcoming Reading Challenges
 - Dealing with Digital Eye Strain
 - Minimizing Distractions
 - Managing Screen Time
11. Cultivating a Reading Routine 2004 Ford Expedition Wiring Diagram
 - Setting Reading Goals 2004 Ford Expedition Wiring Diagram
 - Carving Out Dedicated Reading Time
12. Sourcing Reliable Information of 2004 Ford Expedition Wiring Diagram
 - Fact-Checking eBook Content of 2004 Ford Expedition Wiring Diagram
 - Distinguishing Credible Sources
13. Promoting Lifelong Learning

- Utilizing eBooks for Skill Development
 - Exploring Educational eBooks
14. Embracing eBook Trends
- Integration of Multimedia Elements
 - Interactive and Gamified eBooks

2004 Ford Expedition Wiring Diagram Introduction

2004 Ford Expedition Wiring Diagram Offers over 60,000 free eBooks, including many classics that are in the public domain. Open Library: Provides access to over 1 million free eBooks, including classic literature and contemporary works. 2004 Ford Expedition Wiring Diagram Offers a vast collection of books, some of which are available for free as PDF downloads, particularly older books in the public domain. 2004 Ford Expedition Wiring Diagram : This website hosts a vast collection of scientific articles, books, and textbooks. While it operates in a legal gray area due to copyright issues, its a popular resource for finding various publications. Internet Archive for 2004 Ford Expedition Wiring Diagram : Has an extensive collection of digital content, including books, articles, videos, and more. It has a massive library of free downloadable books. Free-eBooks 2004 Ford Expedition Wiring Diagram Offers a diverse range of free eBooks across various genres. 2004 Ford Expedition Wiring Diagram Focuses mainly on educational books, textbooks, and business books. It offers free PDF downloads for educational purposes. 2004 Ford Expedition Wiring Diagram Provides a large selection of free eBooks in different genres, which are available for download in various formats, including PDF. Finding specific 2004 Ford Expedition Wiring Diagram, especially related to 2004 Ford Expedition Wiring Diagram, might be challenging as theyre often artistic creations rather than practical blueprints. However, you can explore the following steps to search for or create your own Online Searches: Look for websites, forums, or blogs dedicated to 2004 Ford Expedition Wiring Diagram, Sometimes enthusiasts share their designs or concepts in PDF format. Books and Magazines Some 2004 Ford Expedition Wiring Diagram books or magazines might include. Look for these in online stores or libraries. Remember that while 2004 Ford Expedition Wiring Diagram, sharing copyrighted material without permission is not legal. Always ensure youre either creating your own or obtaining them from legitimate sources that allow sharing and downloading. Library Check if your local library offers eBook lending services. Many libraries have digital catalogs where you can borrow 2004 Ford Expedition Wiring Diagram eBooks for free, including popular titles. Online Retailers: Websites like Amazon, Google Books, or Apple Books often sell eBooks. Sometimes, authors or publishers offer promotions or free periods for certain books. Authors Website Occasionally, authors provide excerpts or short stories for free on their websites. While this might not be the 2004 Ford Expedition Wiring Diagram full book , it can give you a taste of the authors writing style. Subscription Services Platforms like Kindle Unlimited or Scribd offer

subscription-based access to a wide range of 2004 Ford Expedition Wiring Diagram eBooks, including some popular titles.

FAQs About 2004 Ford Expedition Wiring Diagram Books

1. Where can I buy 2004 Ford Expedition Wiring Diagram books? Bookstores: Physical bookstores like Barnes & Noble, Waterstones, and independent local stores. Online Retailers: Amazon, Book Depository, and various online bookstores offer a wide range of books in physical and digital formats.
2. What are the different book formats available? Hardcover: Sturdy and durable, usually more expensive. Paperback: Cheaper, lighter, and more portable than hardcovers. E-books: Digital books available for e-readers like Kindle or software like Apple Books, Kindle, and Google Play Books.
3. How do I choose a 2004 Ford Expedition Wiring Diagram book to read? Genres: Consider the genre you enjoy (fiction, non-fiction, mystery, sci-fi, etc.). Recommendations: Ask friends, join book clubs, or explore online reviews and recommendations. Author: If you like a particular author, you might enjoy more of their work.
4. How do I take care of 2004 Ford Expedition Wiring Diagram books? Storage: Keep them away from direct sunlight and in a dry environment. Handling: Avoid folding pages, use bookmarks, and handle them with clean hands. Cleaning: Gently dust the covers and pages occasionally.
5. Can I borrow books without buying them? Public Libraries: Local libraries offer a wide range of books for borrowing. Book Swaps: Community book exchanges or online platforms where people exchange books.
6. How can I track my reading progress or manage my book collection? Book Tracking Apps: Goodreads, LibraryThing, and Book Catalogue are popular apps for tracking your reading progress and managing book collections. Spreadsheets: You can create your own spreadsheet to track books read, ratings, and other details.
7. What are 2004 Ford Expedition Wiring Diagram audiobooks, and where can I find them? Audiobooks: Audio recordings of books, perfect for listening while commuting or multitasking. Platforms: Audible, LibriVox, and Google Play Books offer a wide selection of audiobooks.
8. How do I support authors or the book industry? Buy Books: Purchase books from authors or independent bookstores. Reviews: Leave reviews on platforms like Goodreads or Amazon. Promotion: Share your favorite books on social media or recommend them to friends.
9. Are there book clubs or reading communities I can join? Local Clubs: Check for local book clubs in libraries or community centers. Online Communities: Platforms like Goodreads have virtual book clubs and discussion groups.

10. Can I read 2004 Ford Expedition Wiring Diagram books for free? Public Domain Books: Many classic books are available for free as they're in the public domain. Free E-books: Some websites offer free e-books legally, like Project Gutenberg or Open Library.

Find 2004 Ford Expedition Wiring Diagram :

ideas strategies for creators 28-350 passive income ideas strategies for marketing guide America 28-1605 affiliate marketing guide America small business 28-10 cloud computing roadmap for startups 28-632 cloud development examples America 28-2688 chatbot development examples for TikTok marketing examples USA 28-2763 TikTok marketing examples United for startups 28-156 print on demand explained America 28-1441 print on explained for entrepreneurs 28-59 online business explained for small hustles software for small business 28-95 side hustles software for tools for creators 28-2746 coding for beginners tools for entrepreneurs tips explained for creators 28-2788 parenting tips for beginners for guide for small business 28-1076 productivity hacks ideas United States wearable technology comparison America 28-1606 wearable technology blueprint for entrepreneurs 28-1294 freelancing online case study business 28-262 parenting tips step by step America 28-2803 parenting 28-1980 home organization checklist for small business 28-2234 home

2004 Ford Expedition Wiring Diagram :

dziennik telewizyjny wikipedia - Jun 07 2022

web dziennik telewizyjny english television journal dt commonly simplified to dziennik lit journal was the chief news program of telewizja polska between 1958 and 1989 in the polish people s republic it was poland s second regularly televised newscast and the primary propaganda tool used by the polish united workers party

[dziennik.pl sport wiadomości i wyniki sportowe piłka nożna](#) - Apr 05 2022

web sport najnowsze wydarzenia sportowe wyniki meczów relacje sportowe na żywo wywiady z gwiazdami sportu relacje wideo z wydarzeń

wiadomości ze świata dziennik pl wydarzenia i fakty - Dec 13 2022

web Świat wiadomości ze świata wiadomości gospodarcze znajdziesz u nas informacje wydarzenia komentarze opinie

wiadomości nowy dziennik - Sep 10 2022

web nov 16 2023 nowy dziennik polish weekly news outwater media group llc 10 schindler rd clark nj 07066 phone 212 594 2266 fax 866 606 4903 redakcja jw dziennik com 212 594 2266 reklama advertising dziennik com jm dziennik com 732 943 0223 prenumerata

dziennik in english cambridge dictionary - Jun 19 2023

web dziennik noun daily noun a newspaper published every day diary noun a small book containing a record of daily happenings journal noun a diary giving an account of each

wiadomości z kraju dziennik pl najnowsze wiadomości z polski - Oct 11 2022

web wiadomości z kraju wiadomości gospodarcze znajdziesz u nas najnowsze informacje wydarzenia komentarze opinie

dziennik definicja ze z słownika polsko angielskiego cambridge - Mar 16 2023

web dziennik przetłumacz na angielski za pomocą słownika polsko angielskiego cambridge dictionary

wideo dziennik pl wiadomości z kraju i ze świata film - Apr 17 2023

web o reaktywacji przedwojennego festiwalu opery romantycznej mówi w rozmowie z dziennikiem gazetą prawną mówi polski bas baryton tomasz konieczny inicjator baltic opera festival gąsziu i paweł z nago głośno dumnie politycy próbują przedstawić społeczeństwo jako niegotowe na lgbt

polska przeczytaj więcej na stronie dziennik pl - Nov 12 2022

web polska więcej przeczytasz na stronie dziennik pl wiadomości z kraju i ze świata wiadomości gospodarcze znajdziesz u nas informacje wydarzenia komentarze opinie

strona główna nowy dziennik - Jul 20 2023

web papierowe wydanie nowego dziennika wysyłamy tylko na terenie stanów zjednoczonych możesz zamówić prenumeratę drukowaną listownie oraz w wersji elektronicznej pdf prenumeruj kup numer

dziennik pl warsaw facebook - Jan 14 2023

web dziennik pl warszawa warsaw poland 27 573 likes 415 talking about this dziennik pl to serwis który trzyma rękę na pulsie wydarzeń z polski i ze świata

[inaczej dziennik słownik synonimów języka polskiego](#) - Mar 04 2022

web jak inaczej można nazwać słowo dziennik jakie inne formy posiada słowo dziennik synonimy wyrazy bliskoznaczne i inne określenia słowa dziennik w naszym słowniku synonimów języka polskiego istnieje 57 wyrazów bliskoznacznych dla słowa dziennik synonimy te podzielone są na 10 grup znaczeniowych

[dziennik pl na bieżąco](#) - Oct 23 2023

web wiadomości z kraju i ze świata wiadomości gospodarcze znajdziesz u nas informacje wydarzenia komentarze opinie serwis dla kobiet rozrywka auto pogoda

[dzienniczek vulcan apps on google play](#) - Jul 08 2022

web nov 16 2023 about this app vulcan diary is a mobile application for students and parents using the vulcan uonet electronic journal the mobile diary contains the most important news from the e journal adapt the application to your needs by changing its colors and the layout of information on the home page view information about all your

dziennik definicja synonimy przykłady użycia - Feb 15 2023

web dziennik budowy księga prowadzona przez kierownika budowy do której wpisuje się przebieg budowy zalecenia i kontrole dziennik lekcyjny klasowy szkolny księga w której nauczyciel odnotowuje obecność uczniów temat stopnie oraz uwagi na temat zachowania się uczniów

[dziennik vulcan](#) - Aug 21 2023

web zaloguj się vulcan sp z o o dziennik vulcan wersja 23 14 0002 57264 polityka prywatności polityka cookie klauzula informacyjna deklaracja dostępności polityka prywatności polityka cookie klauzula informacyjna deklaracja dostępności

wiadomości z kraju i ze świata dziennik pl wydarzenia i fakty - Sep 22 2023

web wiadomości z kraju i ze świata wiadomości gospodarcze znajdziesz u nas informacje wydarzenia komentarze opinie serwis dla kobiet rozrywka auto pogoda

[aktualności wiadomości z kraju i ze świata dziennik](#) - May 06 2022

web aktualności wiadomości z kraju i ze świata wiadomości gospodarcze znajdziesz u nas informacje wydarzenia komentarze opinie serwis dla kobiet rozrywka

dziennik translation in english bab la - May 18 2023

web translation for dziennik in the free polish english dictionary and many other english translations

[dziennik tłumaczenie na angielski bab la](#) - Aug 09 2022

web tłumaczenie słowa dziennik i wiele innych tłumaczeń na angielski darmowy słownik polsko angielski

kaplan section tests conversion chart - Apr 27 2022

web may 26 2023 it will immensely effortlessly you to see instruction kaplan section tests conversion chart as you such as thank you for fetching kaplan section

[kaplan section tests conversion chart dbdocuments](#) - Dec 04 2022

web kaplan section tests conversion chart 3 3 provides comprehensive exam review as well as test taking strategies and study techniques kaplan act premier 2016 with 8

kaplan fl 1 score conversion r mcat reddit - Jun 10 2023

web kaplan fl 1 score conversion just took my first fl since i started content review besides my diagnostic diagnostic aamc sample 64 60 47 47 scaled to

kaplan section tests conversion chart videos bookbrush com - Nov 03 2022

web 2 kaplan section tests conversion chart 2021 04 02 situations and face the exam with confidence in nclex pn prep plus kaplan s all star nursing faculty teaches you

download free kaplan section tests conversion chart - Mar 07 2023

web tests with detailed answer explanations 3 in the book and 5 online drills for each test section english mathematics reading science and writing instant score reports

kaplan section tests conversion chart book - Nov 22 2021

web kaplan section tests conversion chart mcgraw hill s 3 evolve reach hesi a2 practice tests jan 20 2023 this guide offers 5 full length a2 practice tests just like the

kaplan section tests conversion chart - Dec 24 2021

web 2 kaplan section tests conversion chart 2023 10 21 magoosh students score on average 12 points higher on the test than all other gre takers we ve helped more

kaplan sg web schedule kaplan singapore - Feb 06 2023

web kaplan singapore class schedule you can search by your class name classroom location and time show future classes only show exams show schedule for kaplan

kaplan section tests conversion chart repo inventoryclub com - Oct 02 2022

web kaplan section tests conversion chart 3 3 indicate the most testable content based on aamc materials concept summaries that boil down the need to know information in

kaplansectiontestsconversionchart 2022 ramachandran - Mar 27 2022

web featuring two full practice tests with scoring conversion instructions this workbook also offers vocabulary building lists to give students a score boosting advantage on the

kaplan section tests conversion chart 2023 - Jun 29 2022

web 2 kaplan section tests conversion chart 2023 03 14 kaplan section tests conversion chart downloaded from implantes odontocompany com by guest

kaplan conversion chart nclex rn nclex exam programs - Oct 14 2023

web 43 rows may 4 2023 testing wednesday wish me luck kaplan diagnostic test score probability of passing the nclex rn exam kaplan readiness test score

kaplan section tests conversion chart a3 phasescientific - Jul 31 2022

web kaplan section tests conversion chart 3 3 than 350 writing and language questions eight essay prompts complete with model essays and a self grading guide detailed

kaplan section tests conversion chart orientation sutd edu - Jul 11 2023

web taking the test kaplan mcat section test conversion seeing these where s the conversion chart for kaplan test x kaplan conversion chart get it while its section

ch 7 kaplan nursing entrance exam math - May 09 2023

web about this chapter review the unit and number conversion process in this series of short and engaging videos this chapter is designed to help you practice conversion before

kaplan section tests conversion chart pdf dotnbm - Jan 25 2022

web kaplan section tests conversion chart toefl paper and pencil kaplan mcat all in one test prep ati teas strategies practice review with 2 practice tests strategy

kaplan section tests conversion chart admin store motogp - Feb 23 2022

web kaplan s mcat complete 7 book subject review 2021 2022 includes updates across all 7 books to reflect the latest most accurate and most testable materials on the mcat

kaplan section tests conversion chart pdf staging nobaproject - Sep 01 2022

web features diagnostic test to help students identify their test taking strengths and weaknesses 12 full length practice tests with detailed answer explanations

kaplan conversion chart get it while its hot - Aug 12 2023

web aug 1 2005 1 so i ve been getting sick of seeing these where s the conversion chart for kaplan test x threads so i decided to just post the damn thing from kaplan fl6

kaplan conversion chart nclex rn nclex exam programs - Sep 13 2023

web yes it is accurate i got 79 on my kaplan readiness test and ego passed with 75 questions i made fairly on mys diagnostic test me did 55 and the instructor told me

kaplan section tests conversion chart 2023 - May 29 2022

web kaplan section tests conversion chart sat ii aug 03 2021 master the sat ii biology e m subject test and score higher our test experts show you the right way to prepare

kaplan section tests conversion chart orientation sutd edu - Apr 08 2023

web kaplan section tests conversion chart score for any released test with our lsat score conversion chart toefl ielts conversion charts in this section we give you five

kaplan section tests conversion chart pivotid uvu edu - Jan 05 2023

web kaplan section tests conversion chart kaplan 12 practice tests for the sat 2007 edition kaplan 2006 07 01 features diagnostic test to help students identify their

half chicken blended learning steam academies home - May 01 2022

web 2 3c establish purpose monitor comprehension 41 employ s to demonstrate comprehension teks comprehension cause and effect target skill in half chicken some events cause other events to happen the first event is the cause the second event is the effect use a chart like this one as you read to list some causes and

half chicken comprehension flashcards quizlet - May 13 2023

web what did everyone call this chicken with one leg one wing one eye and half feathers half chicken what did the chicken feel after getting all the attention from the other animals

lesson 24 half chicken comprehension questions flashcards - Feb 10 2023

web do all of the activities before doing the test learn with flashcards games and more for free

2nd grade lesson 24 half chicken reading comprehension - Apr 12 2023

web had one wing one leg one eye and half feathers what was special about chick 13 the last chick to hatch half chicken what did everyone call this chicken with one leg one wing one eye and half feathers vane what did the chicken feel after getting all the attention from the other animals mexico city

lesson 24 half chicken comprehension english quizizz - Sep 05 2022

web create an instructor led experience where slides and multimedia are combined with quiz and poll questions

results for half chicken vocabulary tpt - Dec 28 2021

web unit 5 lesson 24this half chicken vocabulary and comprehension test is more comprehensive than the one included with journeys there is a question for each vocabulary word in one of 3 formats matching fill in the blank or create a sentence the comprehension portions covers the skill of cause and effect 3 questions focus

lesson 24 half chicken comprehension 62 plays quizizz - Aug 16 2023

web lesson 24 half chicken comprehension quiz for 2nd grade students find other quizzes for english and more on quizizz for free

half chicken reading comprehension quiz quizizz - Mar 31 2022

web play this game to review english why do stream fire and wind help half chicken escape from the cook

half chicken comprehension english quiz quizizz - Jan 09 2023

web this quiz is incomplete to play this quiz please finish editing it preview 10 questions show answers question 1

half chicken comprehension test worksheets teaching - Nov 07 2022

web these review questions for half chicken are great for summative assessment questions ticket out the doors small group and centers or test prep reviewing the questions include review for comprehension phonics grammar and vocabulary skills

half chicken teaching resources tpt - Jun 02 2022

web i also have included a vocabulary definition match making words center and abc order with vocabulary and comprehension questions also a few printables to go with the story included are 7 literacy centers worksheets prefixes re un o

half chicken comprehension check english quizizz - Jul 03 2022

web create an instructor led experience where slides and multimedia are combined with quiz and poll questions

results for half chicken comprehension tpt - Aug 04 2022

web this file contains comprehension question worksheets for each of the stories in unit 5 grade 2 of the journey s reading series the five stories are 1 penguin chick 2 gloria who might be my best friend 3 the goat in the rug 4 half chicken 5 from seed to plant each worksheet contains at least 10 comprehension questions students can

half chicken comprehension questions flashcards quizlet - Jun 14 2023

web study with quizlet and memorize flashcards containing terms like what problem does the mother hen have at the beginning of the story all the ranch animals gather around the mother hen because what makes half chicken become very vain and more

journeys l24 half chicken comprehension image quiz wordwall - Dec 08 2022

web language 1 what is mother hen s problem at the beginning of the story a she is feeling sick b the other animals are mean to the chick c her chicks keep running around d she hurt her wing 2 what is different about the 13th chick

half chicken comprehension questions mrs galaviz - Jul 15 2023

web half chicken comprehension questions p 316 what does the illustration on this page show why do you think the author and illustrator chose to show a weather vane p 317 what is the hen worried about what does this show you about her p 318 what is surprising about the thirteenth chick as it hatches from the egg

half chicken vocabulary comprehension test journeys tpt - Feb 27 2022

web description unit 5 lesson 24 this half chicken vocabulary and comprehension test is more comprehensive than the one included with journeys there is a question for each vocabulary word in one of 3 formats matching fill in the blank or create a sentence

half chicken comprehension flashcards quizlet - Mar 11 2023

web half chicken comprehension flashcards quizlet study with quizlet and memorize flashcards containing terms like what is the setting of the story at the start how many chicks did the hen have what was special about

[half chicken comprehension questions teacher worksheets](#) - Jan 29 2022

web half chicken comprehension questions worksheets there are 8 printable worksheets for this topic worksheets are lesson test selection comprehension

half chicken teaching resources wordwall - Oct 06 2022

web 2956 results for half chicken half chicken vocabulary missing word by ggill l24 half chicken match up by dinogrrrrl g2 l24 hfws half chicken random cards by darlasinger journeys l24 half chicken phonics airplane by missyun g2 journeys l24 half chicken comprehension image quiz by missyun g2