

Side view

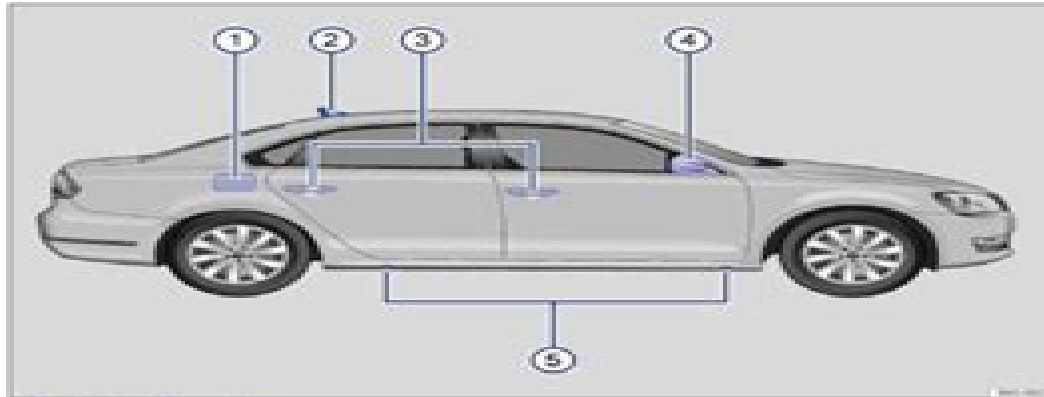


Fig. 1 Vehicle side overview.

Key to fig. 1:

- (1) Fuel filler flap
- (2) Roof antenna
- (3) Outside door handles
- (4) Outside mirror
- Additional turn signal light
- (5) Lift points for the jack

2010 Passat Owners Manual

M Walker



2010 Passat Owners Manual:

Reviewing **2010 Passat Owners Manual**: Unlocking the Spellbinding Force of Linguistics

In a fast-paced world fueled by information and interconnectivity, the spellbinding force of linguistics has acquired newfound prominence. Its capacity to evoke emotions, stimulate contemplation, and stimulate metamorphosis is truly astonishing. Within the pages of "**2010 Passat Owners Manual**," an enthralling opus penned by a highly acclaimed wordsmith, readers attempt an immersive expedition to unravel the intricate significance of language and its indelible imprint on our lives. Throughout this assessment, we shall delve in to the book is central motifs, appraise its distinctive narrative style, and gauge its overarching influence on the minds of its readers.

<https://py.bijouxmedusa.com/files/uploaded-files/Documents/chapter%2034%20section%203%20technology%20and%20modern%20life%20answers.pdf>

Table of Contents 2010 Passat Owners Manual

1. Understanding the eBook 2010 Passat Owners Manual
 - The Rise of Digital Reading 2010 Passat Owners Manual
 - Advantages of eBooks Over Traditional Books
2. Identifying 2010 Passat Owners Manual
 - Exploring Different Genres
 - Considering Fiction vs. Non-Fiction
 - Determining Your Reading Goals
3. Choosing the Right eBook Platform
 - Popular eBook Platforms
 - Features to Look for in an 2010 Passat Owners Manual
 - User-Friendly Interface
4. Exploring eBook Recommendations from 2010 Passat Owners Manual
 - Personalized Recommendations
 - 2010 Passat Owners Manual User Reviews and Ratings

- 2010 Passat Owners Manual and Bestseller Lists
- 5. Accessing 2010 Passat Owners Manual Free and Paid eBooks
 - 2010 Passat Owners Manual Public Domain eBooks
 - 2010 Passat Owners Manual eBook Subscription Services
 - 2010 Passat Owners Manual Budget-Friendly Options
- 6. Navigating 2010 Passat Owners Manual eBook Formats
 - ePub, PDF, MOBI, and More
 - 2010 Passat Owners Manual Compatibility with Devices
 - 2010 Passat Owners Manual Enhanced eBook Features
- 7. Enhancing Your Reading Experience
 - Adjustable Fonts and Text Sizes of 2010 Passat Owners Manual
 - Highlighting and Note-Taking 2010 Passat Owners Manual
 - Interactive Elements 2010 Passat Owners Manual
- 8. Staying Engaged with 2010 Passat Owners Manual
 - Joining Online Reading Communities
 - Participating in Virtual Book Clubs
 - Following Authors and Publishers 2010 Passat Owners Manual
- 9. Balancing eBooks and Physical Books 2010 Passat Owners Manual
 - Benefits of a Digital Library
 - Creating a Diverse Reading Collection 2010 Passat Owners Manual
- 10. Overcoming Reading Challenges
 - Dealing with Digital Eye Strain
 - Minimizing Distractions
 - Managing Screen Time
- 11. Cultivating a Reading Routine 2010 Passat Owners Manual
 - Setting Reading Goals 2010 Passat Owners Manual
 - Carving Out Dedicated Reading Time
- 12. Sourcing Reliable Information of 2010 Passat Owners Manual
 - Fact-Checking eBook Content of 2010 Passat Owners Manual
 - Distinguishing Credible Sources

13. Promoting Lifelong Learning
 - Utilizing eBooks for Skill Development
 - Exploring Educational eBooks
14. Embracing eBook Trends
 - Integration of Multimedia Elements
 - Interactive and Gamified eBooks

2010 Passat Owners Manual Introduction

In the digital age, access to information has become easier than ever before. The ability to download 2010 Passat Owners Manual has revolutionized the way we consume written content. Whether you are a student looking for course material, an avid reader searching for your next favorite book, or a professional seeking research papers, the option to download 2010 Passat Owners Manual has opened up a world of possibilities. Downloading 2010 Passat Owners Manual provides numerous advantages over physical copies of books and documents. Firstly, it is incredibly convenient. Gone are the days of carrying around heavy textbooks or bulky folders filled with papers. With the click of a button, you can gain immediate access to valuable resources on any device. This convenience allows for efficient studying, researching, and reading on the go. Moreover, the cost-effective nature of downloading 2010 Passat Owners Manual has democratized knowledge. Traditional books and academic journals can be expensive, making it difficult for individuals with limited financial resources to access information. By offering free PDF downloads, publishers and authors are enabling a wider audience to benefit from their work. This inclusivity promotes equal opportunities for learning and personal growth. There are numerous websites and platforms where individuals can download 2010 Passat Owners Manual. These websites range from academic databases offering research papers and journals to online libraries with an expansive collection of books from various genres. Many authors and publishers also upload their work to specific websites, granting readers access to their content without any charge. These platforms not only provide access to existing literature but also serve as an excellent platform for undiscovered authors to share their work with the world. However, it is essential to be cautious while downloading 2010 Passat Owners Manual. Some websites may offer pirated or illegally obtained copies of copyrighted material. Engaging in such activities not only violates copyright laws but also undermines the efforts of authors, publishers, and researchers. To ensure ethical downloading, it is advisable to utilize reputable websites that prioritize the legal distribution of content. When downloading 2010 Passat Owners Manual, users should also consider the potential security risks associated with online platforms. Malicious actors may exploit vulnerabilities in unprotected websites to distribute malware or steal personal information. To protect themselves, individuals should ensure their devices have reliable antivirus software installed and

validate the legitimacy of the websites they are downloading from. In conclusion, the ability to download 2010 Passat Owners Manual has transformed the way we access information. With the convenience, cost-effectiveness, and accessibility it offers, free PDF downloads have become a popular choice for students, researchers, and book lovers worldwide. However, it is crucial to engage in ethical downloading practices and prioritize personal security when utilizing online platforms. By doing so, individuals can make the most of the vast array of free PDF resources available and embark on a journey of continuous learning and intellectual growth.

FAQs About 2010 Passat Owners Manual Books

How do I know which eBook platform is the best for me? Finding the best eBook platform depends on your reading preferences and device compatibility. Research different platforms, read user reviews, and explore their features before making a choice. Are free eBooks of good quality? Yes, many reputable platforms offer high-quality free eBooks, including classics and public domain works. However, make sure to verify the source to ensure the eBook credibility. Can I read eBooks without an eReader? Absolutely! Most eBook platforms offer webbased readers or mobile apps that allow you to read eBooks on your computer, tablet, or smartphone. How do I avoid digital eye strain while reading eBooks? To prevent digital eye strain, take regular breaks, adjust the font size and background color, and ensure proper lighting while reading eBooks. What the advantage of interactive eBooks? Interactive eBooks incorporate multimedia elements, quizzes, and activities, enhancing the reader engagement and providing a more immersive learning experience. 2010 Passat Owners Manual is one of the best book in our library for free trial. We provide copy of 2010 Passat Owners Manual in digital format, so the resources that you find are reliable. There are also many Ebooks of related with 2010 Passat Owners Manual. Where to download 2010 Passat Owners Manual online for free? Are you looking for 2010 Passat Owners Manual PDF? This is definitely going to save you time and cash in something you should think about. If you trying to find then search around for online. Without a doubt there are numerous these available and many of them have the freedom. However without doubt you receive whatever you purchase. An alternate way to get ideas is always to check another 2010 Passat Owners Manual. This method for see exactly what may be included and adopt these ideas to your book. This site will almost certainly help you save time and effort, money and stress. If you are looking for free books then you really should consider finding to assist you try this. Several of 2010 Passat Owners Manual are for sale to free while some are payable. If you arent sure if the books you would like to download works with for usage along with your computer, it is possible to download free trials. The free guides make it easy for someone to free access online library for download books to your device. You can get free download on free trial for lots of books categories. Our library is the biggest of these that have literally hundreds of thousands of different

products categories represented. You will also see that there are specific sites catered to different product types or categories, brands or niches related with 2010 Passat Owners Manual. So depending on what exactly you are searching, you will be able to choose e books to suit your own need. Need to access completely for Campbell Biology Seventh Edition book? Access Ebook without any digging. And by having access to our ebook online or by storing it on your computer, you have convenient answers with 2010 Passat Owners Manual To get started finding 2010 Passat Owners Manual, you are right to find our website which has a comprehensive collection of books online. Our library is the biggest of these that have literally hundreds of thousands of different products represented. You will also see that there are specific sites catered to different categories or niches related with 2010 Passat Owners Manual So depending on what exactly you are searching, you will be able to choose ebook to suit your own need. Thank you for reading 2010 Passat Owners Manual. Maybe you have knowledge that, people have search numerous times for their favorite readings like this 2010 Passat Owners Manual, but end up in harmful downloads. Rather than reading a good book with a cup of coffee in the afternoon, instead they juggled with some harmful bugs inside their laptop. 2010 Passat Owners Manual is available in our book collection an online access to it is set as public so you can download it instantly. Our digital library spans in multiple locations, allowing you to get the most less latency time to download any of our books like this one. Merely said, 2010 Passat Owners Manual is universally compatible with any devices to read.

Find 2010 Passat Owners Manual :

chapter 34 section 3 technology and modern life answers

[chapter 7 physical science worksheet answer a](#)[jread](#)

~~chemistry molecules matter and change fourth edition~~

chapter 7 study guide extending mendelian genetics

~~chevaliers de sangreal hans zimmer violin sheet~~

~~chief obafemi awolowo~~

[chapter 24 section 4 guided reading environmental activism](#)

~~chapter 9 5 application problem accounting a~~[plia zweixl](#)

chasm city alastair reynolds

~~chapter 46 ap biology reading guide answers~~

chemistry spm question with answer full download

chapter 4 atomic structure answers

chapter 3 section 2 promoting growth stability

**character mentor learn by example to use expressions poses and staging bring your characters life tom bancroft
chapter 9 cellular respiration graphic organizer answer key**

2010 Passat Owners Manual :

google jahresrückblick enthüllt die top themen 2019 - Jun 02 2022

web dec 11 2019 politische schlagzeilen 2019 hat einige politische themen hervorgebracht von landtagswahlen bis hin zu fridays for future angeführt wird die liste von der europawahl die im mai dieses jahres millionen von menschen zur wahlurne gebeten hat

liste der 30 höchstbewerteten schlagzeilen im jahre 2019 vds - Feb 27 2022

web liste der 30 höchstbewerteten schlagzeilen im jahre 2019 platz schlagzeile quelle punkte 1 baden gehen mit thomas cook gestrandet am goldstrand abgewiesen am münchener flughafen wie deutsche urlauber die pleite des reiseveranstalters erlebten frankfurter allgemeine sonntagszeitung 39 2 leid durch freud die irrungen der

2019 da türkiye vikipedi - May 13 2023

web 17 eylül teknofest 2019 atatürk havalimanı nda başladı 18 26 eylül İstanbul un silivri ilçesinin marmara denizi açıklarında 5 8 büyüklüğünde deprem meydana geldi 19 26 eylül basketbol erkekler cumhurbaşkanlığı kupası maçında fenerbahçe yi 79 74 mağlup eden anadolu efes 12 kez kupanın sahibi oldu

2019 diese schlagzeilen bewegten die Österreicher heute at - Mar 31 2022

web dec 11 2019 auch 2019 gab es mehrere doping skandale darunter auch in Österreich so wurde der langläufer johannes dürr wegen dopings lebenslang gesperrt zusätzlich musste er sich wegen gewerbsmäßigen

17 schlagzeilen mit denen wir 2019 nicht gerechnet haben - Dec 28 2021

web nov 28 2019 gerüchte skandale und schockierende neuigkeiten die promis überraschen uns jedes jahr aufs neue hier sind 15 schlagzeilen mit denen wir 2019 nicht gerechnet haben

jahresrückblick was uns 2019 wichtig war zeit online - Jul 15 2023

web dec 23 2019 rund 11 000 texte sind 2019 auf zeit online erschienen trump war präserter als merkel netflix kam öfter vor als ard und zdf rezo und der mond waren plötzlich wichtig

s 400 ve f 35 krizinde türkiye yi neler bekliyor - Jan 29 2022

web may 27 2019 akp hükümeti bu konuda s 400 ler ile f 35 savaş uçaklarının suriye de karşı karşı geldiklerini dolayısıyla türkiye de de her iki sistemin yer almasının tehlike yaratmayacağını

2019 da türkiye ve dünyada neler oldu İşte 2019 da haber 7 - Apr 12 2023

web jan 1 2020 türkiye de neler yaşandı 2019 a damga vuran haberleri tüm detaylarıyla sizler için derledik İşte 2019 da

yaşanan en önemli olaylar 11 eylül 2023 25 safer 1445 İmsak güneş

alle nachrichten und schlagzeilen vom 10 09 2019 die welt - Sep 05 2022

web sep 10 2019 hier finden sie alle nachrichten des tages seit 1995 die wichtigsten schlagzeilen und meldungen sowie alle videos im Überblick

coronavirus der ausbruch einer pandemie tagesschau de - Aug 04 2022

web jan 27 2022 coronavirus der ausbruch einer pandemie stand 27 01 2022 11 23 uhr anfang 2020 hat sich das coronavirus weltweit ausgebreitet zunächst war china schwer getroffen andere staaten wähten sich in

archiv politik nachrichten dezember 2019 sueddeutsche de - Oct 06 2022

web dec 30 2019 slowakei 30 12 2019 20 38 merkels neujahrsansprache die krisen der erde sind von menschen verursacht sz politik bundesregierung das sagt die kanzlerin bei

2019 wikipedia - Feb 10 2023

web 2019 am 15 märz kommen bei einem terroranschlag auf zwei moscheen in christchurch neuseeland mindestens 50 menschen ums leben am abend des 15 april brennt in paris die kathedrale notre dame in Österreich kommt es zur ibiza affäre welche zu einer regierungskrise und zu neuwahlen führt

aus der nachrichtenredaktion schlagzeilen des jahres 2019 - Jan 09 2023

web dec 31 2018 januar 2019 cdu kommt nicht zur ruhe merz und schäuble schlagen sich gegenseitig für das amt des bundespräsidenten vor februar 2019 neuer vorstoß der eu kommission nach fehlschlag bei

diese 10 ereignisse haben 2019 die welt bewegt euronews - Aug 16 2023

web dec 23 2019 das jahr 2019 startete mit einem politischen erdbeben in südamerika brasilien rückte mit dem wahlsieg von jair bolsonaro ganz nach rechts

deutschland entgeht knapp der rezession dw 14 11 2019 - May 01 2022

web nov 14 2019 positive impulse kamen im sommer vor allem vom konsum die privaten konsumausgaben waren höher als im zweiten quartal 2019 und auch der staat steigerte seine konsumausgaben erläuterten die

chronik 2019 ereignisse und rückblick 2019 was war wann - Jun 14 2023

web ereignisse schlagzeilen 2019 kalender januar 2019 1 januar der gesetzliche mindestlohn wird um 35 cent auf 9 19 euro pro stunde angehoben 2 januar infolge eines heftigen sturms kommt es zu einer havarie des nach bremerhaven fahrenden containerschiffs msc zoe 291 container landen im meer 4

alle nachrichten und schlagzeilen vom 10 10 2019 die welt - Jul 03 2022

web oct 10 2019 die eskalation in nordsyrien bedroht deutschland's sicherheit 10 10 2019 00 00 anschlag auf synagoge 10 10 2019 20 03 augenzeuge im dönerladen 10 10 2019 19 53 london

titelbilder und heftarchive 2019 der spiegel - Dec 08 2022

web 7 2019 mama papa pendelkind 6 2019 das narrenschiff 5 2019 die fünfte gewalt 4 2019 mogelpackung 3 2019 schutzlos 2 2019 arbeiten sie doch wo sie wollen 1 2019 amerikas albtraum 2023 2022

schlagzeilen der spiegel - Nov 07 2022

web deutschland's führende nachrichtenseite alles wichtige aus politik wirtschaft sport kultur wissenschaft technik und mehr zum inhalt springen

dünyada 2019 yılında neler oldu 2019 yılında dünyadaki önemli - Mar 11 2023

web dec 16 2019 yeni yılın heyecanı her yeri sararken geçen yıl dünyada önemli olayların yaşandığı bir sene oldu 2019 yılında dünyanın farklı yerlerinde sadece bölgesini değil dünyayı da

cardicor un farmaco utile per il benessere del cuore - Jun 01 2022

web 03 09 2018 cardicor è un farmaco betabloccante il cui principio attivo è il bisoprololo la funzione dei betabloccanti è quella di agire nei confronti della risposta che il muscolo cardiaco contrappone al sistema nervoso rallentando il ritmo del battito e migliorando le prestazioni del sistema cardiocircolatorio

farmaci per il cuore come prevenire le patologie cardiovascolari - Jan 08 2023

web mar 7 2023 scopri tutte le informazioni riguardo ai farmaci per il cuore e approfitta di integratori alimentari appositamente formulati per favorire il benessere cardiaco articolo pubblicato da dott mario chiacchio

farmaci antiaritmici a cosa servono e come agiscono issalute - Mar 30 2022

web may 17 2019 l'aritmia è un'alterazione nella normale regolarità dell'impulso elettrico che provoca la contrazione del cuore le aritmie possono essere curate mediante la somministrazione di farmaci chiamati antiaritmici in grado di prevenirle o interromperle esistono diversi gruppi di farmaci antiaritmici la loro classificazione tiene conto del

scompenso cardiaco e terapia farmacologica quali novità - Aug 03 2022

web sep 1 2020 i farmaci bloccanti il sistema renina-angiotensina aldosterone-ace-angiotensin converting enzyme inibitori sartani e anti-aldosteronici i farmaci che antagonizzano il sistema nervoso simpatico beta-bloccanti carvedilolo bisoprololo nebivololo e metoprololo

tachicardia farmaci per la cura della tachicardia my - Apr 11 2023

web definizione dal greco tachys kardia lett cuore accelerato si parla di tachicardia quando la frequenza cardiaca (fc) in condizioni di riposo supera il range di normalità per la popolazione di riferimento

farmaci antiacidi quali rischi per il cuore fondazione umberto veronesi - Nov 06 2022

web jul 9 2015 ernia iatale come curarla con la dieta rischio aumentato per il cuore lo studio pubblicato da un gruppo di ricercatori di stanford è stato condotto analizzando 11 milioni di cartelle cliniche corrispondenti a 1,8 milioni di pazienti

visitati tra il 1994 e il 2011 nelle strutture mediche universitarie

nel 2023 svolta per il cuore nuovi farmaci anticolesterolo e - Jan 28 2022

web dec 15 2022 nel 2023 svolta per il cuore nuovi farmaci anticolesterolo e interventi soft il futuro del cuore tra nuovi farmaci potenti ma sempre più tollerati in cronico interventi sempre meno invasivi estesi a tutte le malattie delle valvole e tecnologie intelligenti

elenco dei farmaci per aritmia cardiaca cerca un farmaco dica33 - Feb 09 2023

web aritmia cardiaca elenco dei farmaci correlati alla cura di questa patologia seleziona un principio attivo per visualizzare l'elenco dei farmaci correlati alla cura di questa patologia e sempre necessario consultare il proprio medico per la scelta di un farmaco del principio attivo e della posologia più indicati per il paziente

opzioni di trattamento per lo scompenso cardiaco medtronic - Sep 04 2022

web farmaci per il cuore esistono numerosi farmaci per il trattamento dello scompenso cardiaco il medico potrà prescrivere ad esempio ace inibitori betabloccanti fluidificanti del sangue anticoagulanti e farmaci diuretici generalmente in combinazione terapia di resincronizzazione cardiaca

tripliam bugiardino foglietto illustrativo torrinomedica - Feb 26 2022

web aug 13 2019 metadone usato per il trattamento delle dipendenze dofetilide ibutilide bretilio cisapride difemamile procainamide chinidina idrochinidina disopiramide amiodarone sotalolo per il trattamento del battito cardiaco irregolare verapamil diltiazem medicinali per il cuore

farmaci per il cuore lionel h opie bernard j gersh libro - Dec 07 2022

web farmaci per il cuore è un libro di lionel h opie bernard j gersh pubblicato da edra acquista su ibs a 69 00

tr 2 farmaci per il cuore cuorevivo it - Apr 30 2022

web fenilalchilamine verapamil gallopamil e diltiazem che hanno una potente azione depressiva sul miocardio e sul sistema di conduzione rallentando il ritmo cardiaco a riposo ed in esercizio diidropiridine che agiscono dilatando le arterie periferiche ed alleviando il carico di lavoro del cuore

farmaci per insufficienza cardiaca disturbi dell'apparato - Aug 15 2023

web le posologie orali consigliate sono per il carvedilolo 25 mg 2 volte die 50 mg 2 volte die nei pazienti 85 kg per il bisoprololo 10 mg 1 volta die e per il metoprololo 50 75 mg 2 volte die tartrato o 200 mg 1 volta die a lento rilascio succinato il carvedilolo beta bloccante non selettivo di 3a generazione è anche un

farmaci cardiovascolari humanitas - Jun 13 2023

web i farmaci cardiovascolari sono farmaci direttamente o indirettamente attivi sull'apparato cardiovascolare comprendono gli antiaggreganti gli antianginosi gli antiaritmici gli anticoagulanti gli antiipertensivi i diuretici i fibrinolitici i

cardiostimolanti gli ipolipidemizzanti i vasoattivi gli antiaterosclerotici

trattamento farmacologico per insufficienza cardiaca - Jul 14 2023

web i vasodilatatori farmaci che allargano i vasi sanguigni rendono più facile per il cuore pompare il sangue questi farmaci come l idralazina l isosorbide dinitrato e la nitroglicerina in cerotti o spray non vengono utilizzati altrettanto spesso quanto gli ace inibitori o i bloccanti del recettore dell angiotensina ii che sono più efficaci

beta bloccanti farmaci che proteggono il cuore cardiologia oggi - May 12 2023

web sep 26 2020 i farmaci beta bloccanti sono efficaci nel controllare la pressione oculare in tal caso vengono usate come collirio da applicare quotidianamente prevalentemente il timololo emicrania i farmaci beta bloccanti ed in particolare il propranololo e il metaprololo vengono impiegati per la prevenzione dell emicrania

insufficienza cardiaca farmaci e cura my personaltrainer it - Mar 10 2023

web feb 12 2020 definizione l insufficienza cardiaca è una patologia nella quale il muscolo cardiaco quindi il cuore non ha sufficiente forza per pompare il sangue necessario a soddisfare le esigenze metaboliche dell organismo l insufficienza cardiaca generalmente si presenta come una malattia progressiva che peggiora gradualmente nel tempo

infarto farmaci per la cura dell infarto del miocardio - Oct 05 2022

web mar 24 2020 in terapia per l infarto al miocardio possono essere utilizzati anche farmaci come l isosorbide dinitrato es carvasin dinike nitrosorbide e l isosorbide mononitrato es duronitrin elan ismo diffutab ismo 20 leicester monocinque monoket vasdilat più utilizzati tuttavia nella cura per l angina pectoris

notizia agenzia italiana del farmaco - Dec 27 2021

web un vecchio farmaco per il cuore può aiutare pazienti anziani con insufficienza cardiaca secondo uno studio di recentissima pubblicazione un farmaco vecchio e poco costoso può aiutare a mantenere i pazienti affetti da scompenso cardiaco fuori dall ospedale

prezzi dei farmaci per il cuore in turchia una guida completa 2023 - Jul 02 2022

web dec 22 2021 una delle malattie croniche più comuni in turchia sono le malattie cardiache in questo articolo vi informeremo sui prezzi delle medicine per il cuore in turchia

revelation unveiled by tim lahay goodreads - May 10 2023

web jan 13 2022 in revelation unveiled dr tim lahay co author with jerry jenkins of the best selling novels left behind and tribulation force reveals the scriptural foundation of this series show more 1 pages paperback published january 13 2022 book details editions about the author tim lahay 592 books1 835 followers

revelation unveiled tim lahay google books - Apr 09 2023

web feb 23 2010 in revelation unveiled dr tim lahay co author of the best selling left behind series reveals the scriptural

foundation of beloved novels in this book lahaye explains the biblical
revelation unveiled softcover tim lahaye 9780310230052 - Jun 11 2023

web in revelation unveiled dr tim lahaye co author of the best selling left behind series reveals the scriptural foundation of beloved novels in this book lahaye explains the biblical topics he and jerry jenkins explored in left behind the rapture of the church the return of christ the great tribulation the final battle against satan and
revelation unveiled by tim lahaye goodreads - Oct 15 2023

web jan 1 1973 in revelation unveiled dr tim lahaye co author with jerry jenkins of the best selling novels left behind and tribulation force reveals the scriptural foundation of this series
revelation unveiled by tim lahaye ebook scribd - Aug 01 2022

web feb 23 2010 25 ratings about this ebook in revelation unveiled dr tim lahaye co author of the best selling left behind series reveals the scriptural foundation of beloved novels in this book lahaye explains the biblical topics he and jerry jenkins explored in left behind the rapture of the church the return of christ the great tribulation
revelation unveiled by tim lahaye ebook ebooks com - Sep 02 2022

web in revelation unveiled dr tim lahaye co author of the best selling left behind series reveals the scriptural foundation of beloved novels in this book lahaye explains the biblical topics he and jerry jenkins explored in left behind the rapture of the church the return of christ the great tribulation the final battle against satan and
revelation unveiled lahaye tim 9780310230052 books - Jan 06 2023

web jun 6 1999 tim lahaye revelation unveiled paperback illustrated june 6 1999 by tim lahaye author
revelation unveiled tim lahaye 9780739405024 - Jun 30 2022

web jan 1 1999 revelation unveiled is a detailed study of the book of revelation it helped me understand in greater depth what all of us should know about the upcoming rapture tribulation and other end time events
kindle edition amazon com spend less smile more - Feb 07 2023

web feb 23 2010 in revelation unveiled dr tim lahaye co author of the best selling left behind series reveals the scriptural foundation of beloved novels in this book lahaye explains the biblical topics he and jerry jenkins explored in left behind the rapture of the church the return of christ the great tribulation
revelation unveiled tim lahaye google books - Aug 13 2023

web in revelation unveiled dr tim lahaye co author of the best selling left behind series reveals the scriptural foundation of beloved novels in this book lahaye explains the biblical
revelation unveiled by tim lahaye books on google play - Jul 12 2023

web in revelation unveiled dr tim lahaye co author of the best selling left behind series reveals the scriptural foundation of

beloved novels in this book lahaye explains the biblical
[revelation unveiled by tim lahaye tim lahaye paperback](#) - Dec 05 2022

web jun 6 1999 in revelation unveiled dr tim la haye co author of the best selling left behind series reveals the scriptural foundation of beloved novels in this book la haye explains the biblical topics he and jerry jenkins explored in left behind the rapture of the church the return of christ the great tribulation

[revelation unveiled ebook lahaye tim amazon ca kindle store](#) - Oct 03 2022

web in revelation unveiled dr tim lahaye co author of the best selling left behind series reveals the scriptural foundation of beloved novels in this book lahaye explains the biblical topics he and jerry jenkins explored in left behind the rapture of the church the return of christ the great tribulation

revelation unveiled lahaye tim f free download borrow - Sep 14 2023

web i wholeheartedly recommend revelation unveiled as well as other books authored by tim lahaye including the fictional left behind series with jerry b jenkins reviewer annvolz favorite september 17 2021 subject revelation unveiled

a pdf companion to the audiobook - Feb 24 2022

web revelation unveiled copyright 1999 by tim lahaye a revised and updated edition of revelation illustrated and made plain requests for information should be addressed to zondervan 3900 sparks dr se grand rapids michigan 49546 library of congress cataloging in publication data lahaye tim f revelation unveiled tim lahaye p m

revelation unveiled by tim lahaye audiobook audible com - Apr 28 2022

web edge of apocalypse by tim lahaye and others the end times in chronological order by ron rhodes publisher s summary the biblical foundation for the best selling left behind series in the twinkling of an eye millions of people across the world vanish resulting in highway catastrophes plane crashes utility breakdowns and more

revelation illustrated and made plain book by tim lahaye thriftbooks - May 30 2022

web buy a cheap copy of revelation illustrated and made plain book by tim lahaye in revelation unveiled dr tim lahaye co author of the best selling left behind series reveals the scriptural foundation of beloved novels in this book lahaye free shipping on all orders over 15

revelation unveiled faithlife ebooks - Nov 04 2022

web ebook 12 99 ebook group 12 99 ebooks are designed for reading and have few connections to your library learn more in revelation unveiled dr tim lahaye co author of the best selling left behind series reveals the scriptural foundation of beloved novels in this book lahaye explains the biblical topics he and jerry jenkins explored

[revelation unveiled](#) - Mar 08 2023

web in revelation unveiled dr tim lahaye co author of the best selling left behind series reveals the scriptural foundation of

beloved novels in this book lahaye explains the biblical topics he and jerry jenkins explored in left behind the rapture of the church the return of christ the great tribulation the final battle against satan and

editions of revelation unveiled by tim lahaye goodreads - Mar 28 2022

web feb 23 2010 revelation unveiled by tim lahaye 1999 06 01 published january 1st 1800 by zondervan rev upd edition

1999 06 01 paperback author s tim lahaye asin b01fiw2ipo average rating 0 0 0 ratings more details