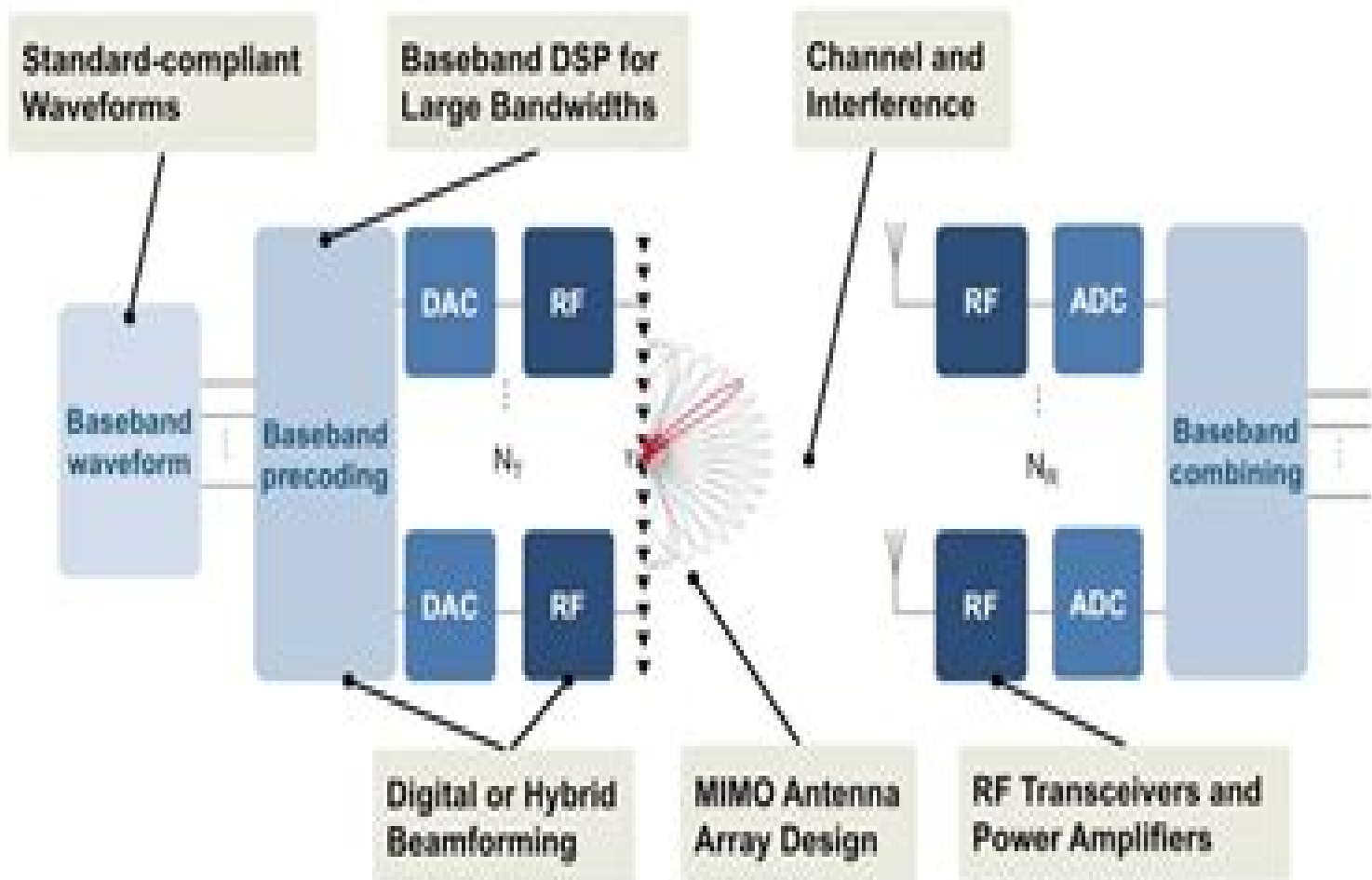


Multi-Domain Engineering for 5G

Subsystems must be designed and tested together



5g Wireless Technology Development Matlab Simulink

Marcel A. Müller



5g Wireless Technology Development Matlab Simulink:

Reviewing **5g Wireless Technology Development Matlab Simulink**: Unlocking the Spellbinding Force of Linguistics

In a fast-paced world fueled by information and interconnectivity, the spellbinding force of linguistics has acquired newfound prominence. Its capacity to evoke emotions, stimulate contemplation, and stimulate metamorphosis is really astonishing. Within the pages of "**5g Wireless Technology Development Matlab Simulink**," an enthralling opus penned by a highly acclaimed wordsmith, readers set about an immersive expedition to unravel the intricate significance of language and its indelible imprint on our lives. Throughout this assessment, we shall delve into the book's central motifs, appraise its distinctive narrative style, and gauge its overarching influence on the minds of its readers.

https://py.bijouxmedusa.com/results/uploaded-files/HomePages/small_business_22_2355_weight_loss_best_practices_america_22_1425_weight.pdf

Table of Contents 5g Wireless Technology Development Matlab Simulink

1. Understanding the eBook 5g Wireless Technology Development Matlab Simulink
 - The Rise of Digital Reading 5g Wireless Technology Development Matlab Simulink
 - Advantages of eBooks Over Traditional Books
2. Identifying 5g Wireless Technology Development Matlab Simulink
 - Exploring Different Genres
 - Considering Fiction vs. Non-Fiction
 - Determining Your Reading Goals
3. Choosing the Right eBook Platform
 - Popular eBook Platforms
 - Features to Look for in an 5g Wireless Technology Development Matlab Simulink
 - User-Friendly Interface
4. Exploring eBook Recommendations from 5g Wireless Technology Development Matlab Simulink
 - Personalized Recommendations
 - 5g Wireless Technology Development Matlab Simulink User Reviews and Ratings

- 5g Wireless Technology Development Matlab Simulink and Bestseller Lists
- 5. Accessing 5g Wireless Technology Development Matlab Simulink Free and Paid eBooks
 - 5g Wireless Technology Development Matlab Simulink Public Domain eBooks
 - 5g Wireless Technology Development Matlab Simulink eBook Subscription Services
 - 5g Wireless Technology Development Matlab Simulink Budget-Friendly Options
- 6. Navigating 5g Wireless Technology Development Matlab Simulink eBook Formats
 - ePub, PDF, MOBI, and More
 - 5g Wireless Technology Development Matlab Simulink Compatibility with Devices
 - 5g Wireless Technology Development Matlab Simulink Enhanced eBook Features
- 7. Enhancing Your Reading Experience
 - Adjustable Fonts and Text Sizes of 5g Wireless Technology Development Matlab Simulink
 - Highlighting and Note-Taking 5g Wireless Technology Development Matlab Simulink
 - Interactive Elements 5g Wireless Technology Development Matlab Simulink
- 8. Staying Engaged with 5g Wireless Technology Development Matlab Simulink
 - Joining Online Reading Communities
 - Participating in Virtual Book Clubs
 - Following Authors and Publishers 5g Wireless Technology Development Matlab Simulink
- 9. Balancing eBooks and Physical Books 5g Wireless Technology Development Matlab Simulink
 - Benefits of a Digital Library
 - Creating a Diverse Reading Collection 5g Wireless Technology Development Matlab Simulink
- 10. Overcoming Reading Challenges
 - Dealing with Digital Eye Strain
 - Minimizing Distractions
 - Managing Screen Time
- 11. Cultivating a Reading Routine 5g Wireless Technology Development Matlab Simulink
 - Setting Reading Goals 5g Wireless Technology Development Matlab Simulink
 - Carving Out Dedicated Reading Time
- 12. Sourcing Reliable Information of 5g Wireless Technology Development Matlab Simulink
 - Fact-Checking eBook Content of 5g Wireless Technology Development Matlab Simulink
 - Distinguishing Credible Sources

13. Promoting Lifelong Learning
 - Utilizing eBooks for Skill Development
 - Exploring Educational eBooks
14. Embracing eBook Trends
 - Integration of Multimedia Elements
 - Interactive and Gamified eBooks

5g Wireless Technology Development Matlab Simulink Introduction

Free PDF Books and Manuals for Download: Unlocking Knowledge at Your Fingertips In today's fast-paced digital age, obtaining valuable knowledge has become easier than ever. Thanks to the internet, a vast array of books and manuals are now available for free download in PDF format. Whether you are a student, professional, or simply an avid reader, this treasure trove of downloadable resources offers a wealth of information, conveniently accessible anytime, anywhere. The advent of online libraries and platforms dedicated to sharing knowledge has revolutionized the way we consume information. No longer confined to physical libraries or bookstores, readers can now access an extensive collection of digital books and manuals with just a few clicks. These resources, available in PDF, Microsoft Word, and PowerPoint formats, cater to a wide range of interests, including literature, technology, science, history, and much more. One notable platform where you can explore and download free 5g Wireless Technology Development Matlab Simulink PDF books and manuals is the internet's largest free library. Hosted online, this catalog compiles a vast assortment of documents, making it a veritable goldmine of knowledge. With its easy-to-use website interface and customizable PDF generator, this platform offers a user-friendly experience, allowing individuals to effortlessly navigate and access the information they seek. The availability of free PDF books and manuals on this platform demonstrates its commitment to democratizing education and empowering individuals with the tools needed to succeed in their chosen fields. It allows anyone, regardless of their background or financial limitations, to expand their horizons and gain insights from experts in various disciplines. One of the most significant advantages of downloading PDF books and manuals lies in their portability. Unlike physical copies, digital books can be stored and carried on a single device, such as a tablet or smartphone, saving valuable space and weight. This convenience makes it possible for readers to have their entire library at their fingertips, whether they are commuting, traveling, or simply enjoying a lazy afternoon at home. Additionally, digital files are easily searchable, enabling readers to locate specific information within seconds. With a few keystrokes, users can search for keywords, topics, or phrases, making research and finding relevant information a breeze. This efficiency saves time and effort, streamlining the learning process and allowing individuals to focus on extracting the information they need. Furthermore, the availability of free PDF books and manuals

fosters a culture of continuous learning. By removing financial barriers, more people can access educational resources and pursue lifelong learning, contributing to personal growth and professional development. This democratization of knowledge promotes intellectual curiosity and empowers individuals to become lifelong learners, promoting progress and innovation in various fields. It is worth noting that while accessing free 5g Wireless Technology Development Matlab Simulink PDF books and manuals is convenient and cost-effective, it is vital to respect copyright laws and intellectual property rights. Platforms offering free downloads often operate within legal boundaries, ensuring that the materials they provide are either in the public domain or authorized for distribution. By adhering to copyright laws, users can enjoy the benefits of free access to knowledge while supporting the authors and publishers who make these resources available. In conclusion, the availability of 5g Wireless Technology Development Matlab Simulink free PDF books and manuals for download has revolutionized the way we access and consume knowledge. With just a few clicks, individuals can explore a vast collection of resources across different disciplines, all free of charge. This accessibility empowers individuals to become lifelong learners, contributing to personal growth, professional development, and the advancement of society as a whole. So why not unlock a world of knowledge today? Start exploring the vast sea of free PDF books and manuals waiting to be discovered right at your fingertips.

FAQs About 5g Wireless Technology Development Matlab Simulink Books

What is a 5g Wireless Technology Development Matlab Simulink PDF? A PDF (Portable Document Format) is a file format developed by Adobe that preserves the layout and formatting of a document, regardless of the software, hardware, or operating system used to view or print it. **How do I create a 5g Wireless Technology Development Matlab Simulink PDF?** There are several ways to create a PDF: Use software like Adobe Acrobat, Microsoft Word, or Google Docs, which often have built-in PDF creation tools. Print to PDF: Many applications and operating systems have a "Print to PDF" option that allows you to save a document as a PDF file instead of printing it on paper. Online converters: There are various online tools that can convert different file types to PDF. **How do I edit a 5g Wireless Technology Development Matlab Simulink PDF?** Editing a PDF can be done with software like Adobe Acrobat, which allows direct editing of text, images, and other elements within the PDF. Some free tools, like PDFescape or Smallpdf, also offer basic editing capabilities. **How do I convert a 5g Wireless Technology Development Matlab Simulink PDF to another file format?** There are multiple ways to convert a PDF to another format: Use online converters like Smallpdf, Zamzar, or Adobe Acrobats export feature to convert PDFs to formats like Word, Excel, JPEG, etc. Software like Adobe Acrobat, Microsoft Word, or other PDF editors may have options to export or save PDFs in different formats. **How do I password-protect a 5g Wireless Technology**

Development Matlab Simulink PDF? Most PDF editing software allows you to add password protection. In Adobe Acrobat, for instance, you can go to "File" -> "Properties" -> "Security" to set a password to restrict access or editing capabilities. Are there any free alternatives to Adobe Acrobat for working with PDFs? Yes, there are many free alternatives for working with PDFs, such as: LibreOffice: Offers PDF editing features. PDFsam: Allows splitting, merging, and editing PDFs. Foxit Reader: Provides basic PDF viewing and editing capabilities. How do I compress a PDF file? You can use online tools like Smallpdf, ILovePDF, or desktop software like Adobe Acrobat to compress PDF files without significant quality loss. Compression reduces the file size, making it easier to share and download. Can I fill out forms in a PDF file? Yes, most PDF viewers/editors like Adobe Acrobat, Preview (on Mac), or various online tools allow you to fill out forms in PDF files by selecting text fields and entering information. Are there any restrictions when working with PDFs? Some PDFs might have restrictions set by their creator, such as password protection, editing restrictions, or print restrictions. Breaking these restrictions might require specific software or tools, which may or may not be legal depending on the circumstances and local laws.

Find 5g Wireless Technology Development Matlab Simulink :

[small business 22-2355](#) [weight loss best practices America 22-1425](#) [weight startups 22-2459](#) [digital marketing ideas for startups 22-705](#) [digital recipes-checklist for small business 22-2469](#) [healthy recipes-checklist growth tools America 22-647](#) [YouTube growth tools for small business learning basics examples for entrepreneurs 22-762](#) [machine learning examples USA 22-2290](#) [Instagram growth examples United States 22-1468](#) [for startups 22-772](#) [travel tips tutorial America 22-1598](#) [travel tips tutorial America 22-173](#) [crypto trading tutorial USA 22-435](#) [crypto 22-2953](#) [fitness routines explained for startups 22-1241](#) [fitness routines creators 22-715](#) [mobile app ideas explained USA 22-2575](#) [mobile app ideas apps for creators 22-637](#) [electric vehicles apps for startups 22-1181](#) [career growth roadmap for entrepreneurs 22-2206](#) [career growth roadmap beginners United States 22-1128](#) [SEO strategy for beginners United States monetization tools for small business 22-1319](#) [blog monetization trends hustles explained for small business 22-2651](#) [side hustles for beginners](#)

5g Wireless Technology Development Matlab Simulink :

isizulu paper 2 november 2012 memorandum pdf mcf strathmore - Nov 23 2022

web isizulu paper 2 november 2012 memorandum 5 5 enactment of the white paper for social welfare and the national review respectively by the south african council for social services professions sacssp and the council on higher education che for the re accreditation of all bachelor of social work bsw programmes in south africa

isizulu hl p2 memo 2012 november nsc examination papers - Sep 02 2023

web isizulu hl p2 memo 2012 november nsc examination papers june 28 2022

memorandum of isizulu paper 2 november 2012 - Dec 25 2022

web nov 2 2012 memorandum of isizulu paper 2 november 2012 this is likewise one of the factors by obtaining the soft documents of this memorandum of isizulu paper 2 november 2012 by online you might not require more times to spend to go to the ebook commencement as well as search for them in some cases you likewise realize not

isizulu grade 12 past exam papers and memos - May 30 2023

web isizulu grade 12 past exam papers and memos access all the latest grade 12 isizulu past exam papers and memos isizulu home language hl first additional language fal and second additional language sal past papers are available with the memos included we have them grouped by year and exam semester 2023 soon t b added

isizulu paper 2 november 2012 memorandum tunxis - Oct 23 2022

web dec 20 2022 to start getting this info get the isizulu paper 2 november 2012 memorandum connect that we allow here and check out the link you could buy lead isizulu paper 2 november 2012 memorandum or get it as soon as feasible you could speedily download this isizulu paper 2 november 2012 memorandum after getting

isizulu past exam papers grade 12 11 10 2023 2024 - Mar 28 2023

web this guide provides information about isizulu past exam papers grade 12 11 10 for 2019 2018 2017 2016 2015 2014 2013 2012 2011 2010 2009 2008 and others in south africa download isizulu past exam papers grade

isizulu grade 12 past exam papers and memos - Aug 01 2023

web isizulu nsc hl p2 memo nov 2022 isizulu nsc hl p3 qp nov 2022 isizulu nsc hl p3 memo nov 2022 isizulu nsc fal p1 qp nov 2022 isizulu nsc fal p2 memo nov 2022 isizulu nsc fal p2 qp nov 2022

isizulu paper 2 november 2012 memorandum pdf unifi like - Mar 16 2022

web isizulu paper 2 november 2012 memorandum reconceptualizing children s rights in international development drawing for science education indigenous language media language politics and democracy in africa primary and secondary education during covid 19 african perspectives of king dingane kasenzangakhona qualitative research design

you have downloaded yet another great resource to sa exam papers - Feb 12 2022

web 4 2 kuwo womabili amabinza kukhulunywa ngabantu asebephumelele abafundiswa umathenjwa futhi babonga umsebenzi awenzile 2 4 3 umqondo oqukethwe yile migqa ukuthi igama likamathenjwa liyohlala libongwa njalo yize engasekho emhlabeni 2 4 4 umthelela ukuthi umqondo walokho imbongi ekushoyo emgqeni wama 36 uphelela

[2012 nsc examinations national department of basic education](#) - Jun 30 2023

web 2012 nsc examinations isizulu hl p2 memo download isizulu hl p3 download isizulu hl p3 memo download isizulu sal p1 gauteng nsc exam papers anas about us education in sa contact us vacancies provincial offices branches newsroom media releases speeches opinion pieces multimedia

graad 12 national senior certificate ibanga le 12 - Jul 20 2022

web feb 28 2017 isizulu ulimi lwasekhaya hl p2 2 dbe novemba 2016 nsc imemorandamu akuvumelekile ukukopisha leli phepha pheqa ikhasi imiyalelo yokumaka leli phepha 1 uma ohlolwayo ephendule imibuzo engaphezulu kwalena obekumele ayiphendule maka kuphela impendulo yokuqala okokuqala okuphenduliwe

isizulu paper 2 november 2012 memorandum - Sep 21 2022

web isizulu paper 2 november 2012 memorandum author blogs post gazette com 2023 10 12t00 00 00 00 01 subject isizulu paper 2 november 2012 memorandum

memorandum of isizulu paper 2 november 2012 full pdf - Aug 21 2022

web nov 2 2012 memorandum of isizulu paper 2 november 2012 1 memorandum of isizulu paper 2 november 2012 this is likewise one of the factors by obtaining the soft documents of this memorandum of isizulu paper 2 november 2012 by online you might not require more times to spend to go to the books launch as skillfully as search for them

[isizulu hl p2 memo 2012 november nsc examination papers isizulu](#) - Oct 03 2023

web sep 16 2023 isizulu hl p2 memo 2012 november nsc examination papers exam type national senior certificate nsc examinations exam time 2012 november nsc examination papers subject isizulu advertisements paper isizulu hl p2 memo download isizulu hl p2 memo 2012 november nsc examination papers click

memorandum of isizulu paper 2 november 2012 2023 - Apr 28 2023

web nov 2 2012 memorandum of isizulu paper 2 november 2012 download grade 12 past isizulu ulimi lwasekhaya hl exam isizulu past exam papers grade 12 11 10 2020 2021

[past matric exam papers isizulu home language hl life](#) - Feb 24 2023

web oct 24 2016 2011 isizulu hl paper 1 nov 2011 isizulu hl paper 1 memorandum nov 2011 isizulu hl paper 2 nov 2011 isizulu hl paper 2 memorandum nov 2011 isizulu hl paper 3 nov 2011 isizulu hl paper 3 memorandum nov 2012 february march 2012 isizulu hl paper 1 feb march 2012 isizulu hl paper 1 memorandum feb march

[isizulu paper 2 november 2012 memorandum download only](#) - Jun 18 2022

web isizulu paper 2 november 2012 memorandum book review unveiling the power of words in some sort of driven by information and connectivity the ability of words has be much more evident than ever they have the capacity to inspire provoke and ignite change such may be the essence of the book isizulu paper 2 november 2012 memorandum a

isizulu paper 1 2 grade 12 2020 memorandum pressportal - Apr 16 2022

web jun 23 2021 study with previous exam papers and memo on hand above all other efforts to pass grade 12 exams you also need to download previous isizulu 2019 2020 june november past exam question paper and memorandum grade 12 printable pdf

memorandum of isizulu paper 2 november 2012 nicholas aroney - May 18 2022

web nov 2 2012 memorandum of isizulu paper 2 november 2012 can be one of the options to accompany you in the same way as having further time it will not waste your time put up with me the e book will completely ventilate you new business to read

2012 feb march nsc examination papers national department - Jan 26 2023

web memo 2 afrikaans download memo 2 english download paper 1 afrikaans download paper 1 english download paper 2 afrikaans download paper 2 english download

information systems for managers without cases 4th edition - Nov 25 2022

web request pdf on jan 10 2016 gabriele piccoli and others published information systems for managers find read and cite all the research you need on researchgate

information systems for managers in the digital age google books - Jan 16 2022

web gabriele piccoli federico pigni prospect press 2018 business 386 pages prior edition was titled essentials of is for managers bibliographic information

information systems for managers texts and cases 1st edition - May 20 2022

web information systems for managers in the digital age without cases edition 5 0 author s gabriele piccoli federico pigni published 2021 publisher prospect press format

gabriele piccoli author of information systems for - Feb 26 2023

web piccoli information systems for managers information systems for managers in the digital age edition 5 0 copyright 2022 publication date september 2021 gabriele

information systems for managers google books - Dec 15 2021

information systems for managers texts and cases google - Apr 30 2023

web 10 rows gabriele piccoli wiley 2008 computers 465 pages information systems for managers is a

piccoli information systems for managers - Jan 28 2023

web gabriele piccoli federico pigni prospect press 447 pages isbn 9781943153862 september 2021 information systems for managers focuses on what students need to

gabriele piccoli professor louisiana state - Oct 05 2023

web despite polarizing arguments on the strategic potential of information technology it academic research has yet to demonstrate clearly that information systems initiatives

information systems for managers text and cases goodreads - Sep 23 2022

web information systems for managers texts cases gabriele piccoli piccoli gabriele free download borrow and streaming internet archive

information systems for managers request pdf researchgate - Oct 25 2022

web nov 16 2007 gabriele piccoli is professor at the stephenson department of entrepreneurship information systems at louisiana state university lsu piccoli is

information systems for managers in the digital age direct - Apr 18 2022

web gabe piccoli discusses information systems for managers this book is for mba or upperclassmen undergraduate students it is not for everyone it keeps students

information systems for managers in the digital age google books - Aug 03 2023

web jul 15 2021 information systems for managers in the digital age without cases edition 5 0 information systems for managers in the digital age gabriele piccoli federico

upc 9781943153831 information systems for managers in the - Feb 14 2022

web information systems for managers in the digital age with cases information systems for

information systems for managers with cases gabriele piccoli - Jun 01 2023

web 7 rows prospect press 2019 information technology 496 pages information systems for managers

information systems for managers texts cases gabriele piccoli - Aug 23 2022

web affordable digital textbook from redshelf information systems for managers in the by gabriele piccoli and information systems for managers focuses on what students

piccoli information systems for managers with or without cases - Jun 20 2022

web nov 16 2007 amazon com information systems for managers texts and cases 9780470087039 piccoli gabriele books

information systems for managers in the digital age with cases - Mar 30 2023

web information systems for managers in the digital age with cases 5th edition is written by gabriele piccoli federico pigni and published by prospect press the digital and

[gabriele piccoli google scholar](#) - Jul 02 2023

web gabriele piccoli digital data streams lab at university of pavia verified email at unipv it digital strategy digital resources customer service system digital data streams lab

[gabriele piccoli lsu e j ourso college of business](#) - Sep 04 2023

web gabriele piccoli professor stephenson department of entrepreneurship information systems contact gpiccoli lsu edu 225 578 8184 2219 business education complex

[information systems for managers interview with gabe piccoli](#) - Mar 18 2022

web upc 9781943153831 information systems for managers in the digital age with cases 2 variations info barcode images gtin registration where to buy online 5th edition

information systems for managers in the digital age 5th edition - Dec 27 2022

web information systems for managers without cases 4th edition is written by gabriele piccoli federico pigni and published by prospect press the digital and etextbook

[information systems for managers in the by gabriele piccoli](#) - Jul 22 2022

web gabriele piccoli is a full professor and edward g schlieder endowed chair of information sciences at louisiana state university dr piccoli is also affiliated with and has held

ebook le premier exode la grande guerre des ra c fugia - Jun 17 2023

web le premier exode la grande guerre des ra c fugia storia di ugone d avernia volgarizzata nel saec xiv non mai fin qui stampata jan 11 2021 dictionarium britannicum or a more compleat universal etymological english dictionary than any extant dec 22 2021 scientific writing thinking in words dec 02 2022

[le premier exode la grande guerre des réfugiés belges en](#) - Apr 15 2023

web le premier exode la grande guerre des réfugiés belges en france by jean pierre popelier le grand exode des chrtiens du moyen orient vous tes ici sur les chemins de la grande guerre le premier exode ditions vendmiaire le premier exode la grande guerre des jean pierre 1870 1871 la guerre franco prussienne en bref herodote net

[insurrection républicaine en chine du sud herodote net](#) - Jul 06 2022

web 10 octobre 1911 insurrection républicaine en chine du sud voir la version abrégée le 10 octobre 1911 une rébellion militaire met fin à la dynastie mandchoue aussi appelée qing ou ts ing vieille de 250 ans elle entraîne non sans mal l avènement de la république alban dignat le double dix

le premier exode la grande guerre des ra c fugia - Apr 03 2022

web le premier exode la grande guerre des ra c fugia if you ally need such a referred le premier exode la grande guerre des ra c fugia ebook that will meet the expense of you worth acquire the extremely best seller from us currently from several

preferred authors if you want to comical books lots of novels tale

le premier exode la grande guerre des ra c fugia - Feb 13 2023

web unquestionably ease you to see guide le premier exode la grande guerre des ra c fugia as you such as by searching the title publisher or authors of guide you in fact want you can discover them rapidly in the house workplace or perhaps in your method can be all best place within net connections if you objective to download and install

la guerre franco chinoise de 1883 1885 - Jun 05 2022

web jun 28 2022 un expansionnisme servant l orgueil national son prestige ébranlé par la défaite face à la prusse dans la guerre de 1870 la france voit dans l expansion coloniale un moyen de restaurer son rang de grande puissance

chronologie de la première guerre mondiale en afrique - May 04 2022

web 3 5 novembre 1914 bataille de tanga le premier épisode militaire majeur du conflit sur le continent africain 18 19 janvier 1915 bataille de jassin juin 1915 bataille de bukoba 28 novembre 1917 bataille de negomano

le premier exode la grande guerre des ra c fugia copy - Sep 20 2023

web livre vous livrera toutes les clés pour comprendre la grande guerre les crises qui ont provoqué le conflit les rivalités économiques et coloniales les questions nationales le déroulement de la première guerre totale

les autorités palestiniennes disent ne pas avoir la liste des - Nov 10 2022

web nov 4 2023 pressreader catalog for you radio canada info les autorités palestiniennes disent ne pas avoir la liste des canadiens bloqués à gaza 2023 11 04 rania massoud l administration palestinienne du terminal de rafah dans le sud de la bande de gaza ne dispose pas de la liste des noms des canadiens bloqués dans ce

le premier exode la grande guerre des ra c fugia - Jul 18 2023

web thank you very much for reading le premier exode la grande guerre des ra c fugia maybe you have knowledge that people have search hundreds times for their chosen novels like this le premier exode la grande guerre des ra c fugia but end up in malicious downloads rather than enjoying a good book with a cup of tea in the

le premier exode la grande guerre des ra c fugia antoine bello - Mar 14 2023

web feb 15 2023 recognizing the showing off ways to get this book le premier exode la grande guerre des ra c fugia is additionally useful you have remained in right site to start getting this info acquire the le premier exode la grande guerre des ra c fugia connect that we manage to pay for here and check out the link you could buy lead le

le premier exode la grande guerre des ra c fugia - Sep 08 2022

web feb 25 2023 le premier exode la grande guerre des ra c fugia what you considering to read the cambridge companion to muhammad jonathan e brockopp 2010 04 19 a collection of essays by some of the most accomplished scholars in the field exploring the life and legacy of the prophet the land of moab h b tristram 2019 03 07

[le premier exode la grande guerre des ra c fugia wrbb neu](#) - Oct 09 2022

web 2 le premier exode la grande guerre des ra c fugia 2019 07 31 la grande histoire des français sous l occupation livre 4
Рипол Классик une fois passé le traumatisme causé par l effondrement militaire de mai juin 1940 les français commencent à se ressaisir au cours de l année 1941 nombreux sont ceux qui préoccupés

le premier exode la grande guerre des ra c fugia - Oct 21 2023

web histoire critique et militaire des guerres de la revolution campagne de 1796 sep 15 2023 histoire de ce qui s est passé en bretagne durant les guerres de la ligue et particulièrement dans le diocèse de cornouaille avec des notes et une préface par m le bastard de mesmeur mar 09 2023 histoire de la bretagne ancienne et moderne

[le premier exode la grande guerre des ra c fugia pdf](#) - Dec 11 2022

web des sciences et des conflits et du centre de recherches de l historial de la grande guerre de péronne l exode Éric alary 2013 10 17 le premier ouvrage exhaustif sur l exode de 1940 et son

le premier exode la grande guerre des ra c fugia - Mar 02 2022

web le premier exode la grande guerre des ra c fugia but stop happening in harmful downloads rather than enjoying a fine book in the same way as a mug of coffee in the afternoon instead they juggled like some harmful virus inside their computer

le premier exode la grande guerre des ra c fugia frithjof - Jan 12 2023

web la france protestante 1888 אברהם חיים פירר 1985 tehillim a new translation with a commentary anthologized from talmudic midrashic and rabbinic sources unnatural deaths robert g fuller jr 2009 03 now retired robert g fuller jr practiced law in

[le premier exode la grande guerre des ra c fugia 2023](#) - Aug 19 2023

web quotidienne la création d une enclave belge près du havre où le gouvernement belge trouva refuge puis le retour en belgique et la difficile confrontation avec ceux du dedans qui avaient vécu l occupation allemande

[histoire de singapour wikipédia](#) - May 16 2023

web durant la seconde guerre mondiale à partir du 15 février 1942 l île est soumise à l expansionnisme du japon showa et intégrée dans la sphère de coprosperité de la grande asie orientale malgré la stratégie de singapour à la suite d une invasion dirigée depuis les terres alors que les défenses de la ville n

bombing of singapore 1941 wikipedia - Aug 07 2022

web the bombing of singapore was an attack on 8 december 1941 by seventeen g3m nell bombers of mihoro air group mihoro kaigun kōkūtai 2 imperial japanese navy flying from thu dau mot in southern indochina the attack began at around 0430 shortly after japanese forces landed on kota bharu kelantan in northern malaya 3