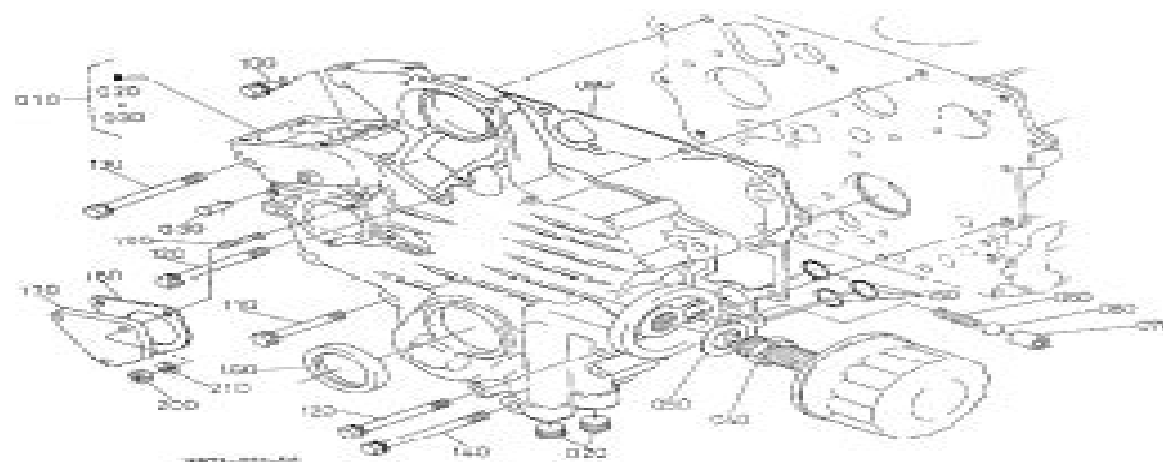


0004

**GEAR CASE  
CARTER DE DISTRIBUTION  
GETRIEBEGEHAUSE**


A:DT22-ERR-EC-STD-2

ILL. NO. FIG. N°	PART NO. REFERENCE BEZEL- Nr.	PART NAME	DESIGNATION	BEZEICHNUNG	STUDOLC No.		I. C.	SPARTELS REMARKS BEMERKUNGEN
					A	B		
010	16889-0402-0	CRWP. CASE, GEAR	CARTER DISTR. COMP.	KMP. GETRIEBEGEHAUSE	1	-		
020	16851-9601-0	FLIE	BOUCHON	STÖPFEN	2	-		
030	15841-5628-0	PIN, START SPRING	GOURILLE DU RESSORT	STARTFEDERSTIFT	1	-		
040	15241-3229-0	JOINT, PIPE	RACCORD DE TIRAG	VERBINDUNGSSTUECK	1	-		
050	15841-9401-0	WASHER, PLAIN	RONDELLE FREIN	SCHREIBE	1	-		
060	16851-3695-0	SPRING	RESSORT	FEDER	1	-		
070	15841-3693-0	SEAT, VALVE	SIEGE DE SOUPEPE	SITZ, VENTIL	1	-		
080	07715-03211	BALL	BIJULE	KUGEL	1	-		
090	15862-0413-2	GASKET, GEAR CASE NR	JOINT DE CARTER-015.	DICHTUNG, GETR. GET	1	-		
100	01023-60618	BOLT	VIS	BOLZEN	1	-		
110	01023-60650	BOLT	VIS	BOLZEN	8	-		
120	15841-0101-0	BOLT	VIS	BOLZEN	5	-		
130	01023-60670	BOLT	VIS	BOLZEN	1	-		
140	01023-60675	BOLT	VIS	FOR 7FM	1	-		
150	04814-08130	O RING	JOINT TORIQUE	O RING	3	-		
160	15877-0414-0	SEAL, OIL	BASE JOINT	ÖLDICHTUNGSRING	1	-		
170	19461-8334-0	COVER	COUVERCLE	DECKEL	1	-		
180	10461-8813-2	GASKET, H/W GEAR CASE	JOINT	DICHTUNG	1	-		
190	15271-8821-0	STD	GOIJON	STEBBOLZEN	3	-		
200	02056-50060	NUT	ECROU	MUTTER	3	-		
210	04512-60060	WASHER, SPRING	RONDELLE GRWER	FEDERRING	3	-		

↔ Interchangeable; ↗ not interchangeable; ↘ new for old; → old for new

# 6d22 Engine Part Catalog

**Katrin Zwirgmaier**



## 6d22 Engine Part Catalog:

**Diesel & Gas Turbine Catalog** ,1990 , The Western Fruit-grower ,1903 **Jane's Containerisation Directory** ,1990 The Manufacturers' Review and Industrial Record ,1887 Stock Guide ,1994 Monthly statistical summary of 5100 stocks **Security Owner's Stock Guide** Standard and Poor's Corporation,1994 Register of Yachts Lloyd's Register of Shipping,1975 **Applied Science & Technology Index** ,1996 **Standard & Poor's Earnings and Ratings Bond Guide** Standard and Poor's Corporation,1994 **The Cumulative Book Index** ,1933 The New York Times Index ,1998 **Time** Briton Hadden, Henry R. Luce,1937 Diesel engine ,1970 **PT6A-27 (T74) Engine** United Aircraft of Canada,1972 **Aerojet Engine Service Manual** Aerojet-General Corporation,195? Model GTIO-520 aircraft engine parts catalog ,1984 **1960 Dodge Truck P-Series Parts Catalog** Chrysler Motors Corporation,2023-03-22 This 1960 Dodge Truck P Series Parts Catalog is a high quality licensed PRINT reproduction of the parts catalog authored by Chrysler Motors Corporation and published by Detroit Iron It contains 584 pages of detailed parts information via exploded diagram cutouts of sections of your vehicle assembly with parts numbers and textual descriptions A parts guide provides part interchange information so you can find replacement parts The part book sections usually include suspension engine transmission body fittings parts brakes cooling radiator exhaust fenders doors fuel system etc The following 1960 Dodge models are covered D100 Series D200 Series D300 Series Truck W100 Series W200 Series W300 Series Wm300 Power Wagon This factory written Detroit Iron shop manual is perfect for the restorer or anyone working on one of these vehicles **D333 Engine Parts Catalog Serial Numbers 58B1-UP**. Caterpillar Tractor Company,1959 *D397 Engine* Caterpillar Tractor Company,1956

## Decoding **6d22 Engine Part Catalog**: Revealing the Captivating Potential of Verbal Expression

In an era characterized by interconnectedness and an insatiable thirst for knowledge, the captivating potential of verbal expression has emerged as a formidable force. Its power to evoke sentiments, stimulate introspection, and incite profound transformations is genuinely awe-inspiring. Within the pages of "**6d22 Engine Part Catalog**," a mesmerizing literary creation penned by way of a celebrated wordsmith, readers set about an enlightening odyssey, unraveling the intricate significance of language and its enduring impact on our lives. In this appraisal, we shall explore the book's central themes, evaluate its distinctive writing style, and gauge its pervasive influence on the hearts and minds of its readership.

[https://py.bijouxmedusa.com/public/publication/Download\\_PDFS/Continuous%20Renal%20Replacement%20Therapy%20Pittsburgh%20Critical%20Care%20Medicine.pdf](https://py.bijouxmedusa.com/public/publication/Download_PDFS/Continuous%20Renal%20Replacement%20Therapy%20Pittsburgh%20Critical%20Care%20Medicine.pdf)

### **Table of Contents 6d22 Engine Part Catalog**

1. Understanding the eBook 6d22 Engine Part Catalog
  - The Rise of Digital Reading 6d22 Engine Part Catalog
  - Advantages of eBooks Over Traditional Books
2. Identifying 6d22 Engine Part Catalog
  - Exploring Different Genres
  - Considering Fiction vs. Non-Fiction
  - Determining Your Reading Goals
3. Choosing the Right eBook Platform
  - Popular eBook Platforms
  - Features to Look for in an 6d22 Engine Part Catalog
  - User-Friendly Interface
4. Exploring eBook Recommendations from 6d22 Engine Part Catalog
  - Personalized Recommendations
  - 6d22 Engine Part Catalog User Reviews and Ratings

- 6d22 Engine Part Catalog and Bestseller Lists
- 5. Accessing 6d22 Engine Part Catalog Free and Paid eBooks
  - 6d22 Engine Part Catalog Public Domain eBooks
  - 6d22 Engine Part Catalog eBook Subscription Services
  - 6d22 Engine Part Catalog Budget-Friendly Options
- 6. Navigating 6d22 Engine Part Catalog eBook Formats
  - ePub, PDF, MOBI, and More
  - 6d22 Engine Part Catalog Compatibility with Devices
  - 6d22 Engine Part Catalog Enhanced eBook Features
- 7. Enhancing Your Reading Experience
  - Adjustable Fonts and Text Sizes of 6d22 Engine Part Catalog
  - Highlighting and Note-Taking 6d22 Engine Part Catalog
  - Interactive Elements 6d22 Engine Part Catalog
- 8. Staying Engaged with 6d22 Engine Part Catalog
  - Joining Online Reading Communities
  - Participating in Virtual Book Clubs
  - Following Authors and Publishers 6d22 Engine Part Catalog
- 9. Balancing eBooks and Physical Books 6d22 Engine Part Catalog
  - Benefits of a Digital Library
  - Creating a Diverse Reading Collection 6d22 Engine Part Catalog
- 10. Overcoming Reading Challenges
  - Dealing with Digital Eye Strain
  - Minimizing Distractions
  - Managing Screen Time
- 11. Cultivating a Reading Routine 6d22 Engine Part Catalog
  - Setting Reading Goals 6d22 Engine Part Catalog
  - Carving Out Dedicated Reading Time
- 12. Sourcing Reliable Information of 6d22 Engine Part Catalog
  - Fact-Checking eBook Content of 6d22 Engine Part Catalog
  - Distinguishing Credible Sources

13. Promoting Lifelong Learning
  - Utilizing eBooks for Skill Development
  - Exploring Educational eBooks
14. Embracing eBook Trends
  - Integration of Multimedia Elements
  - Interactive and Gamified eBooks

### **6d22 Engine Part Catalog Introduction**

In the digital age, access to information has become easier than ever before. The ability to download 6d22 Engine Part Catalog has revolutionized the way we consume written content. Whether you are a student looking for course material, an avid reader searching for your next favorite book, or a professional seeking research papers, the option to download 6d22 Engine Part Catalog has opened up a world of possibilities. Downloading 6d22 Engine Part Catalog provides numerous advantages over physical copies of books and documents. Firstly, it is incredibly convenient. Gone are the days of carrying around heavy textbooks or bulky folders filled with papers. With the click of a button, you can gain immediate access to valuable resources on any device. This convenience allows for efficient studying, researching, and reading on the go. Moreover, the cost-effective nature of downloading 6d22 Engine Part Catalog has democratized knowledge. Traditional books and academic journals can be expensive, making it difficult for individuals with limited financial resources to access information. By offering free PDF downloads, publishers and authors are enabling a wider audience to benefit from their work. This inclusivity promotes equal opportunities for learning and personal growth. There are numerous websites and platforms where individuals can download 6d22 Engine Part Catalog. These websites range from academic databases offering research papers and journals to online libraries with an expansive collection of books from various genres. Many authors and publishers also upload their work to specific websites, granting readers access to their content without any charge. These platforms not only provide access to existing literature but also serve as an excellent platform for undiscovered authors to share their work with the world. However, it is essential to be cautious while downloading 6d22 Engine Part Catalog. Some websites may offer pirated or illegally obtained copies of copyrighted material. Engaging in such activities not only violates copyright laws but also undermines the efforts of authors, publishers, and researchers. To ensure ethical downloading, it is advisable to utilize reputable websites that prioritize the legal distribution of content. When downloading 6d22 Engine Part Catalog, users should also consider the potential security risks associated with online platforms. Malicious actors may exploit vulnerabilities in unprotected websites to distribute malware or steal personal information. To protect themselves, individuals should ensure their devices have reliable antivirus software installed and

validate the legitimacy of the websites they are downloading from. In conclusion, the ability to download 6d22 Engine Part Catalog has transformed the way we access information. With the convenience, cost-effectiveness, and accessibility it offers, free PDF downloads have become a popular choice for students, researchers, and book lovers worldwide. However, it is crucial to engage in ethical downloading practices and prioritize personal security when utilizing online platforms. By doing so, individuals can make the most of the vast array of free PDF resources available and embark on a journey of continuous learning and intellectual growth.

### FAQs About 6d22 Engine Part Catalog Books

**What is a 6d22 Engine Part Catalog PDF?** A PDF (Portable Document Format) is a file format developed by Adobe that preserves the layout and formatting of a document, regardless of the software, hardware, or operating system used to view or print it. **How do I create a 6d22 Engine Part Catalog PDF?** There are several ways to create a PDF: Use software like Adobe Acrobat, Microsoft Word, or Google Docs, which often have built-in PDF creation tools. Print to PDF: Many applications and operating systems have a "Print to PDF" option that allows you to save a document as a PDF file instead of printing it on paper. Online converters: There are various online tools that can convert different file types to PDF. **How do I edit a 6d22 Engine Part Catalog PDF?** Editing a PDF can be done with software like Adobe Acrobat, which allows direct editing of text, images, and other elements within the PDF. Some free tools, like PDFescape or Smallpdf, also offer basic editing capabilities. **How do I convert a 6d22 Engine Part Catalog PDF to another file format?** There are multiple ways to convert a PDF to another format: Use online converters like Smallpdf, Zamzar, or Adobe Acrobats export feature to convert PDFs to formats like Word, Excel, JPEG, etc. Software like Adobe Acrobat, Microsoft Word, or other PDF editors may have options to export or save PDFs in different formats. **How do I password-protect a 6d22 Engine Part Catalog PDF?** Most PDF editing software allows you to add password protection. In Adobe Acrobat, for instance, you can go to "File" -> "Properties" -> "Security" to set a password to restrict access or editing capabilities. Are there any free alternatives to Adobe Acrobat for working with PDFs? Yes, there are many free alternatives for working with PDFs, such as: LibreOffice: Offers PDF editing features. PDFsam: Allows splitting, merging, and editing PDFs. Foxit Reader: Provides basic PDF viewing and editing capabilities. How do I compress a PDF file? You can use online tools like Smallpdf, ILovePDF, or desktop software like Adobe Acrobat to compress PDF files without significant quality loss. Compression reduces the file size, making it easier to share and download. Can I fill out forms in a PDF file? Yes, most PDF viewers/editors like Adobe Acrobat, Preview (on Mac), or various online tools allow you to fill out forms in PDF files by selecting text fields and entering information. Are there any restrictions when working with PDFs? Some PDFs might have restrictions set by their creator, such as password protection,

editing restrictions, or print restrictions. Breaking these restrictions might require specific software or tools, which may or may not be legal depending on the circumstances and local laws.

### **Find 6d22 Engine Part Catalog :**

[continuous renal replacement therapy pittsburgh critical care medicine](#)

*crossword puzzles answers*

[cuadro de mando integral cmi nh hoteles by sandra](#)

[creative solutions to environmental problems](#)

~~*credit card and debt management by scott bilker*~~

~~*ecec past papers and answers*~~

~~*culture and values humanities 8th edition*~~

*cracking the ap biology exam 2016 edition college test preparation*

[cover page of the annual article 7 report](#)

**css3 the missing manual**

*criminalistics 10th edition*

[covenants with death](#)

*creative interventions for troubled children and youth*

**corvair engine corvair aircraft engine conversion**

**counselling skills and social work practice**

### **6d22 Engine Part Catalog :**

Digital Fundamentals 10th ED And Soutlion Manual ... Digital Fundamentals This eleventh edition of Digital Fundamentals continues a long tradition of presenting a strong foundation in the core fundamentals of digital technology. This ... Digital Fundamentals (10th Edition) by Floyd, Thomas L. This bestseller provides thorough, up-to-date coverage of digital fundamentals, from basic concepts to microprocessors, programmable logic, and digital ... Digital Fundamentals Tenth Edition Floyd | PDF | Electronics Digital Fundamentals Tenth Edition Floyd · Uploaded by · Document Information · Share this document · Sharing Options · Copyright: · Available Formats. Download ... Digital Fundamentals, 10/e - Thomas L. Floyd Bibliographic information ; Title, Digital Fundamentals, 10/e ; Author, Thomas L. Floyd ; Publisher, UBS, 2011 ; ISBN, 813173448X, 9788131734483 ; Length, 658 pages. Digital Fundamentals Chapter 1 Tenth Edition. Floyd. © 2008 Pearson

Education. Chapter 1. Generated by ... Floyd, Digital Fundamentals, 10th ed. Selected Key Terms. Analog. Digital. Binary. Bit. Digital Fundamentals Tenth Edition CHAPTER 3 SLIDES.ppt Learning how to design logical circuits was made possible by utilizing gates such as NOT, AND, and OR. Download Free PDF View PDF. Free PDF. Digital Logic ... Digital Fundamentals - Thomas L. Floyd Digital Fundamentals, 10th Edition gives students the problem-solving experience they'll need in their professional careers. Known for its clear, accurate ... Anyone here still have the pdf version of either Digital ... Anyone here still have the pdf version of either Digital Fundamentals 10th Edition or Digital Fundamentals 11th Edition both written by Floyd? Digital Fundamentals Floyd Chapter 1 Tenth Edition - ppt ... Download ppt "Digital Fundamentals Floyd Chapter 1 Tenth Edition". Similar presentations. © 2009 Pearson Education, Upper Saddle River, NJ 07458. All Rights ... Teacher's Resource Guide to accompany The Riverside ... The guide is correlated to The Riverside Reader, Alternate Edition, by Joseph Trimmer. Part 1 provides introductory and background material. The Riverside Reader: Alternate Edition by Trimmer, ... The Riverside Reader: Alternate Edition by Trimmer, Joseph F. ; Condition. Good ; Quantity. 1 available ; Item Number. 144272881147 ; Binding. Paperback ; Weight. 1 ... Riverside Reader Flashcards Study with Quizlet and memorize flashcards containing terms like Points to remember, Digging thesis, Digging strategies and more. The Riverside Reader Introduction Questions View Homework Help - The Riverside Reader Introduction Questions from ENGLISH 101 at Harvard University. The Riverside Reader Introduction pg. The Riverside Reader: Alternate Edition - Trimmer, Joseph F. This alternate edition of The Riverside Reader includes 48 pages on the writing process adapted from Joseph Trimmer's Writing with a Purpose. Riverside Reader Pdf - Fill Online, Printable, Fillable, Blank This alternate edition of The Riverside Reader includes 48 pages on the writing process. Get Form. Fill form: Try Risk Free. The PDFfiller rating at Shopper ... BASIC SKILLS, By\SIC WRITING, BASIC RESEARCH by JF Trimmer · Cited by 33 — The Riverside Reader, Writing with A Purpose, 8th. Ed., Fictions. Journal of ... had more of an impact on remedial English?4 There are many answers. The ... Applicant Preparation Guide Strategy 1: Read the question and the alternative responses before reading the passage. When reading the passage, focus attention on information indicated ... Great Writing 5 (5th Edition) : From Great Essays To ... Possible answers: overfishing and promoting alternative methods. 1. Topic: Requiring future parents to take parenting classes 2. Thesis statement: Governments ... Discovering French, Nouveau!: Bleu 1, Workbook Our resource for Discovering French, Nouveau!: Bleu 1, Workbook includes answers to chapter exercises, as well as detailed information to walk you through the ... Discovering French, Nouveau!: Bleu 1 - 1st Edition Our resource for Discovering French, Nouveau!: Bleu 1 includes answers to chapter exercises, as well as detailed information to walk you through the process ... Discovering french nouveau bleu 1 workbook answers Discovering french nouveau bleu 1 workbook answers. How to make vertex form from a graph com-2022-01-23T00:00:00+00:01 Subject: Discovering French Nouveau ... Discovering french nouveau blanc workbook answers pdf Discovering french nouveau blanc workbook answers pdf . On this page you can read or download discovering

french blanc unite 8 lesson 29 answers in PDF ... Discovering french nouveau bleu unite 3 lecon 8 workbook ... Discovering french nouveau bleu unite 3 lecon 8 workbook answers, Discovering French Unite 1 Lecon 3 Answers As recognized, adventure as with ease as ...