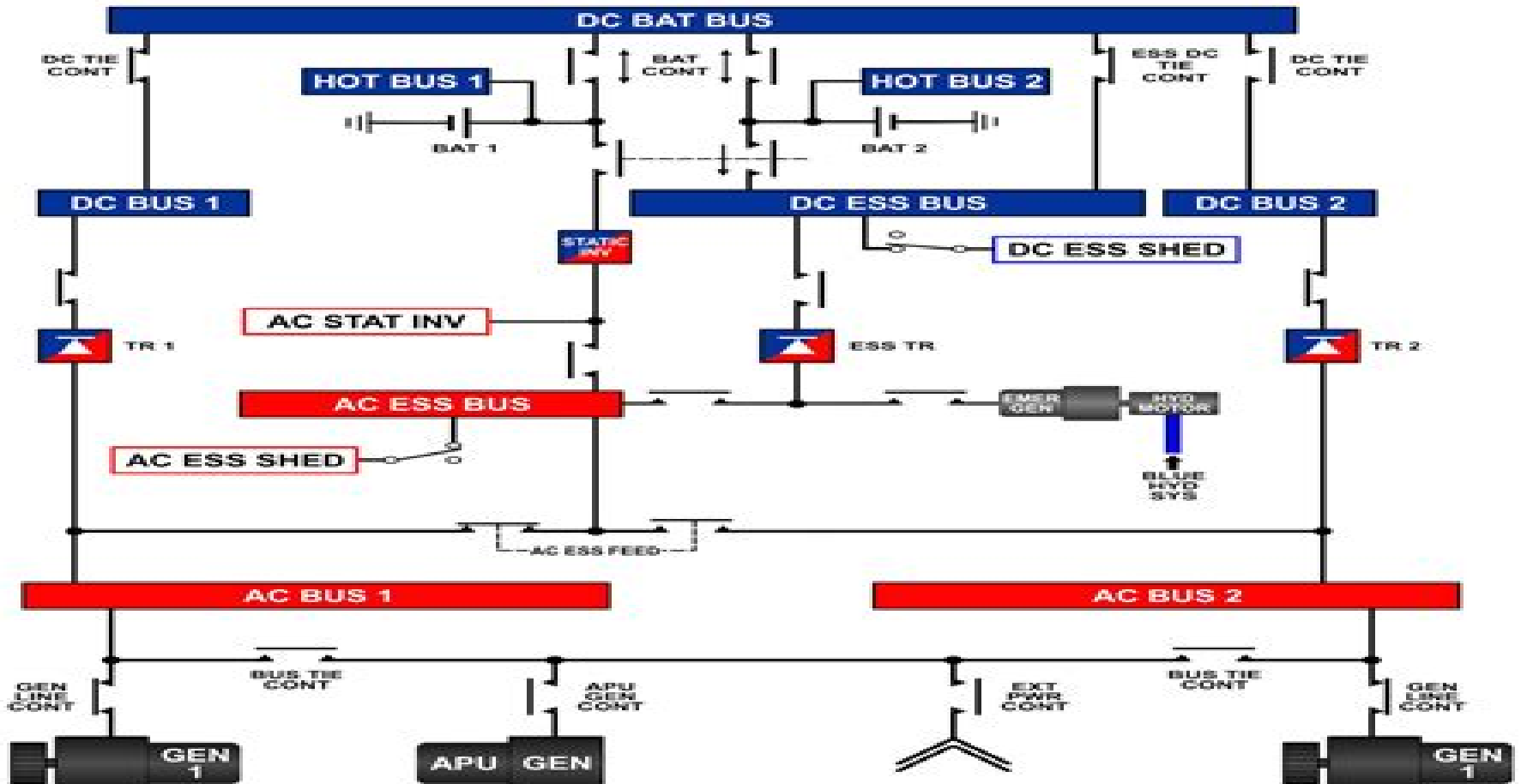


# Electrical System



AC POWER

DC POWER



# Airbus A320 Aircraft Electrical System Schematic

**S Marginson**



## **Airbus A320 Aircraft Electrical System Schematic:**

**Aircraft Systems** Craig Lawson, David Judt, 2025-12-19 In depth reference on fixed wing aircraft electrical and mechanical systems covering electronics hydraulics and other essential components Aircraft Systems delivers comprehensive material on the design and development of fixed wing aircraft electrical and mechanical systems providing broad coverage of aircraft systems including electronics hydraulics pneumatics flight control actuation and landing gear The book features many practical examples of existing commercial and military aircraft Academic design studies and methods are presented along with information on technical and mathematical methods of design The book also features design guides for each system including equations where appropriate to size sub systems and major components and discusses environmental concerns Topics discussed in Aircraft Systems include Aircraft systems design philosophy and safety covering systems design approaches safety assessments requirement captures and component reliability Secondary power sources including main engines auxiliary and ground power units batteries ram air turbines and fuel cells Hydraulic system components covering hydraulic fluids pumps and piping reservoirs filters accumulators and relief valves Aircraft icing and rain protection covering ice protection systems such as electro impulse de icing and chemical ice protection systems Aircraft Systems is an essential resource for undergraduate and postgraduate students studying the design of fixed wing aircraft systems The book is also valuable to professionals in aerospace engineering due to its broad view of aircraft systems development and integration

**Aircraft Systems** Ian Moir, Allan Seabridge, 2011-08-26 This third edition of Aircraft Systems represents a timely update of the Aerospace Series successful and widely acclaimed flagship title Moir and Seabridge present an in depth study of the general systems of an aircraft electronics hydraulics pneumatics emergency systems and flight control to name but a few that transform an aircraft shell into a living functioning and communicating flying machine Advances in systems technology continue to alloy systems and avionics with aircraft support and flight systems increasingly controlled and monitored by electronics the authors handle the complexities of these overlaps and interactions in a straightforward and accessible manner that also enhances synergy with the book s two sister volumes Civil Avionics Systems and Military Avionics Systems Aircraft Systems 3rd Edition is thoroughly revised and expanded from the last edition in 2001 reflecting the significant technological and procedural changes that have occurred in the interim new aircraft types increased electronic implementation developing markets increased environmental pressures and the emergence of UAVs Every chapter is updated and the latest technologies depicted It offers an essential reference tool for aerospace industry researchers and practitioners such as aircraft designers fuel specialists engine specialists and ground crew maintenance providers as well as a textbook for senior undergraduate and postgraduate students in systems engineering aerospace and engineering avionics **Aircraft Accident Report** , [In-flight breakup over the Atlantic Ocean, Trans World Airlines Flight 800 Boeing 747-131, N93119, near East Moriches, New York, July 17, 1996](#) United States. National Transportation Safety Board, 2000 This report from the

National Transportation Safety Board NTSB summarizes the findings from the 1996 Trans World Airlines Flight 800 crash

The Dictionary of Civil Aviation Utku Taşova,2023-11-02 In the realm of civil aviation the sky is hardly the limit It s the starting line Each day countless professionals and enthusiasts alike engage with this dynamic sector propelling humanity literally into new horizons However as we soar into these vast expanses the necessity for a robust understanding and a shared language becomes not just beneficial but vital It s here that The Dictionary of Civil Aviation finds its wings offering a solid ground of knowledge amidst the boundless skies of aviation exploration With a reservoir of 4 681 meticulously curated entries this dictionary stands as a testament to the colossal body of knowledge that civil aviation encompasses It s an endeavor to foster a shared understanding to bridge the knowledge gaps that might exist between a seasoned aviator and an aviation student between air traffic controllers and airport managers or between aviation policymakers and enthusiasts The Dictionary of Civil Aviation is more than just a glossary it s a journey A journey through the technicalities that ensure safety in the skies the regulations that govern our airways the acronyms that punctuate aviation communication and the innovations that continue to drive this sector forward Each term encapsulated in this dictionary is a node in the vast network that is civil aviation offering readers a structured pathway through the complex yet exhilarating world of flight The objective is clear to foster a culture of continuous learning and shared understanding within the civil aviation community By doing so we not only enhance the safety and efficiency of civil aviation but also honor the spirit of exploration and innovation that has always been its hallmark As you flip through the pages of The Dictionary of Civil Aviation you are not just encountering definitions you are engaging with the living evolving entity that is civil aviation Each term is a window into a broader narrative a narrative that you as a reader and as a member of the civil aviation community contribute to We invite you to embark on this educational expedition to delve into the nuances of civil aviation and to emerge with a richer understanding and appreciation of the sector that makes global connectivity possible Through this dictionary may your curiosity take flight and may your understanding of civil aviation soar to new heights

*AIR CRASH INVESTIGATIONS A DISASTROUS SPARK The Crash of TWA 800* George Cramoisi, Editor,2013-01-01 On July 17 1996 about 2031 eastern daylight time Trans World Airlines Inc TWA flight 800 a Boeing 747 crashed in the Atlantic Ocean near East Moriches New York TWA flight 800 was a scheduled international passenger flight from John F Kennedy International Airport JFK New York New York to Charles DeGaulle International Airport Paris France All 230 people on board were killed and the airplane was destroyed The weather was good The National Transportation Safety Board determines that the probable cause of the accident was an explosion of the center wing fuel tank resulting from ignition of the flammable fuel air mixture in the tank Contributing factors to the accident were the design and certification concept that fuel tank explosions could be prevented solely by precluding all ignition sources and the design and certification of the Boeing 747 The safety issues in this report focus on fuel tank flammability

**Proceedings of 10th International Conference on Recent Advances in Civil Aviation** Oleg Anatolyevich

Gorbachev, Xiaoguang Gao, Bo Li, 2022-10-19 The volume comprises proceedings of the 10th International Conference on Recent Advances in Civil Aviation The contents focus on air traffic control and management quality control and reliability improvement of radio equipment and avionics designing and testing aircraft assemblies and mechanisms reliability improvement of aircraft management systems aviation enterprise management etc There is also emphasis on the current problems and prospects for development of unmanned aircraft systems This volume will be beneficial to researchers practitioners and policy makers alike

**Law and Regulation of Aerodromes** Dr. Ruwantissa Abeyratne, 2014-04-02 This book encapsulates in detail the principles pertaining to legal and regulatory aspects of aerodromes As the title denotes it discusses the various aspects of the structure and functioning of an aerodrome and the complexities involved It focuses on the law and regulation of aerodrome certification and planning aerodrome services financial and economic planning security management and governance The airport industry is one of the fastest growing within the aviation industry requiring innovation and creativity in management This in turn has called for an increased focus on advanced management programmes for airport managers and lawyers The Airport Management Professional Accreditation Programme AMPAP offered worldwide by the International Civil Aviation Organization and Airports Council International and the Angkasa Pura II Airport Management Excellence Programme of Indonesia are two such initiatives which give airport professionals a sound grounding on the principles and techniques of management and law

*Civil Avionics Systems* Ian Moir, Allan G. Seabridge, 2003 This book introduces the reader to an industry that has to deal with issues that are complex and sophisticated market and technology driven safety conscious high integrity and environmentally influenced The civil avionics industry is driven by market factors and trends in public mobility global business travel and domestic leisure needs World finances terrorist activity political pressure or public loss of confidence resulting from a perception of poor safety also drives the industry The text covers all aspects of civil avionics systems including the technology systems development electronics sensors communication and guidance aids displays controls and systems integration It further discusses future air navigation systems and military applications

Federal Register, 2000-02-22 **Mergent Industrial Manual**, 2002

Human-Centered Aviation Automation: Principles and Guidelines, 1996 **Aviation Contaminated Air Reference Manual** Susan Michaelis, 2007 The Aviation Contaminated Air Reference Manual is the first ever fully referenced 800 page summary of the complete aircraft contaminated air issue in which crews and passengers have been exposed to oil and hydraulic fumes in aircraft cabins The reference manual which is the result of nearly ten years of research is aimed at policy makers doctors scientists air accident investigators engineers crews passengers airline and union representatives politicians and media involved or interested in any aspect of the contaminated air debate on commercial and military aircraft

Aerospace Engineering & Manufacturing, 2008 Aerospace America, 1998 **Jane's All the World's Aircraft**, 2004

**Interavia**, 1989-07 **Aerospace Engineering**, 2001 **Videodisc and Optical Disk Update**, 1989 *Aviation*

*Week & Space Technology ,2006*

## **Airbus A320 Aircraft Electrical System Schematic** Book Review: Unveiling the Magic of Language

In an electronic era where connections and knowledge reign supreme, the enchanting power of language has become much more apparent than ever. Its ability to stir emotions, provoke thought, and instigate transformation is truly remarkable. This extraordinary book, aptly titled "**Airbus A320 Aircraft Electrical System Schematic**," written by a highly acclaimed author, immerses readers in a captivating exploration of the significance of language and its profound impact on our existence. Throughout this critique, we shall delve to the book's central themes, evaluate its unique writing style, and assess its overall influence on its readership.

[https://py.bijouxmedusa.com/results/publication/Documents/step\\_united\\_states\\_2\\_1715\\_coding\\_for\\_beginners\\_step\\_by\\_step\\_for\\_creators.pdf](https://py.bijouxmedusa.com/results/publication/Documents/step_united_states_2_1715_coding_for_beginners_step_by_step_for_creators.pdf)

### **Table of Contents Airbus A320 Aircraft Electrical System Schematic**

1. Understanding the eBook Airbus A320 Aircraft Electrical System Schematic
  - The Rise of Digital Reading Airbus A320 Aircraft Electrical System Schematic
  - Advantages of eBooks Over Traditional Books
2. Identifying Airbus A320 Aircraft Electrical System Schematic
  - Exploring Different Genres
  - Considering Fiction vs. Non-Fiction
  - Determining Your Reading Goals
3. Choosing the Right eBook Platform
  - Popular eBook Platforms
  - Features to Look for in an Airbus A320 Aircraft Electrical System Schematic
  - User-Friendly Interface
4. Exploring eBook Recommendations from Airbus A320 Aircraft Electrical System Schematic
  - Personalized Recommendations
  - Airbus A320 Aircraft Electrical System Schematic User Reviews and Ratings

- Airbus A320 Aircraft Electrical System Schematic and Bestseller Lists
- 5. Accessing Airbus A320 Aircraft Electrical System Schematic Free and Paid eBooks
  - Airbus A320 Aircraft Electrical System Schematic Public Domain eBooks
  - Airbus A320 Aircraft Electrical System Schematic eBook Subscription Services
  - Airbus A320 Aircraft Electrical System Schematic Budget-Friendly Options
- 6. Navigating Airbus A320 Aircraft Electrical System Schematic eBook Formats
  - ePub, PDF, MOBI, and More
  - Airbus A320 Aircraft Electrical System Schematic Compatibility with Devices
  - Airbus A320 Aircraft Electrical System Schematic Enhanced eBook Features
- 7. Enhancing Your Reading Experience
  - Adjustable Fonts and Text Sizes of Airbus A320 Aircraft Electrical System Schematic
  - Highlighting and Note-Taking Airbus A320 Aircraft Electrical System Schematic
  - Interactive Elements Airbus A320 Aircraft Electrical System Schematic
- 8. Staying Engaged with Airbus A320 Aircraft Electrical System Schematic
  - Joining Online Reading Communities
  - Participating in Virtual Book Clubs
  - Following Authors and Publishers Airbus A320 Aircraft Electrical System Schematic
- 9. Balancing eBooks and Physical Books Airbus A320 Aircraft Electrical System Schematic
  - Benefits of a Digital Library
  - Creating a Diverse Reading Collection Airbus A320 Aircraft Electrical System Schematic
- 10. Overcoming Reading Challenges
  - Dealing with Digital Eye Strain
  - Minimizing Distractions
  - Managing Screen Time
- 11. Cultivating a Reading Routine Airbus A320 Aircraft Electrical System Schematic
  - Setting Reading Goals Airbus A320 Aircraft Electrical System Schematic
  - Carving Out Dedicated Reading Time
- 12. Sourcing Reliable Information of Airbus A320 Aircraft Electrical System Schematic
  - Fact-Checking eBook Content of Airbus A320 Aircraft Electrical System Schematic
  - Distinguishing Credible Sources

13. Promoting Lifelong Learning
  - Utilizing eBooks for Skill Development
  - Exploring Educational eBooks
14. Embracing eBook Trends
  - Integration of Multimedia Elements
  - Interactive and Gamified eBooks

### **Airbus A320 Aircraft Electrical System Schematic Introduction**

Free PDF Books and Manuals for Download: Unlocking Knowledge at Your Fingertips In today's fast-paced digital age, obtaining valuable knowledge has become easier than ever. Thanks to the internet, a vast array of books and manuals are now available for free download in PDF format. Whether you are a student, professional, or simply an avid reader, this treasure trove of downloadable resources offers a wealth of information, conveniently accessible anytime, anywhere. The advent of online libraries and platforms dedicated to sharing knowledge has revolutionized the way we consume information. No longer confined to physical libraries or bookstores, readers can now access an extensive collection of digital books and manuals with just a few clicks. These resources, available in PDF, Microsoft Word, and PowerPoint formats, cater to a wide range of interests, including literature, technology, science, history, and much more. One notable platform where you can explore and download free Airbus A320 Aircraft Electrical System Schematic PDF books and manuals is the internet's largest free library. Hosted online, this catalog compiles a vast assortment of documents, making it a veritable goldmine of knowledge. With its easy-to-use website interface and customizable PDF generator, this platform offers a user-friendly experience, allowing individuals to effortlessly navigate and access the information they seek. The availability of free PDF books and manuals on this platform demonstrates its commitment to democratizing education and empowering individuals with the tools needed to succeed in their chosen fields. It allows anyone, regardless of their background or financial limitations, to expand their horizons and gain insights from experts in various disciplines. One of the most significant advantages of downloading PDF books and manuals lies in their portability. Unlike physical copies, digital books can be stored and carried on a single device, such as a tablet or smartphone, saving valuable space and weight. This convenience makes it possible for readers to have their entire library at their fingertips, whether they are commuting, traveling, or simply enjoying a lazy afternoon at home. Additionally, digital files are easily searchable, enabling readers to locate specific information within seconds. With a few keystrokes, users can search for keywords, topics, or phrases, making research and finding relevant information a breeze. This efficiency saves time and effort, streamlining the learning process and allowing individuals to focus on extracting the information they need. Furthermore, the availability of free PDF books and manuals

fosters a culture of continuous learning. By removing financial barriers, more people can access educational resources and pursue lifelong learning, contributing to personal growth and professional development. This democratization of knowledge promotes intellectual curiosity and empowers individuals to become lifelong learners, promoting progress and innovation in various fields. It is worth noting that while accessing free Airbus A320 Aircraft Electrical System Schematic PDF books and manuals is convenient and cost-effective, it is vital to respect copyright laws and intellectual property rights. Platforms offering free downloads often operate within legal boundaries, ensuring that the materials they provide are either in the public domain or authorized for distribution. By adhering to copyright laws, users can enjoy the benefits of free access to knowledge while supporting the authors and publishers who make these resources available. In conclusion, the availability of Airbus A320 Aircraft Electrical System Schematic free PDF books and manuals for download has revolutionized the way we access and consume knowledge. With just a few clicks, individuals can explore a vast collection of resources across different disciplines, all free of charge. This accessibility empowers individuals to become lifelong learners, contributing to personal growth, professional development, and the advancement of society as a whole. So why not unlock a world of knowledge today? Start exploring the vast sea of free PDF books and manuals waiting to be discovered right at your fingertips.

### **FAQs About Airbus A320 Aircraft Electrical System Schematic Books**

1. Where can I buy Airbus A320 Aircraft Electrical System Schematic books? Bookstores: Physical bookstores like Barnes & Noble, Waterstones, and independent local stores. Online Retailers: Amazon, Book Depository, and various online bookstores offer a wide range of books in physical and digital formats.
2. What are the different book formats available? Hardcover: Sturdy and durable, usually more expensive. Paperback: Cheaper, lighter, and more portable than hardcovers. E-books: Digital books available for e-readers like Kindle or software like Apple Books, Kindle, and Google Play Books.
3. How do I choose a Airbus A320 Aircraft Electrical System Schematic book to read? Genres: Consider the genre you enjoy (fiction, non-fiction, mystery, sci-fi, etc.). Recommendations: Ask friends, join book clubs, or explore online reviews and recommendations. Author: If you like a particular author, you might enjoy more of their work.
4. How do I take care of Airbus A320 Aircraft Electrical System Schematic books? Storage: Keep them away from direct sunlight and in a dry environment. Handling: Avoid folding pages, use bookmarks, and handle them with clean hands. Cleaning: Gently dust the covers and pages occasionally.
5. Can I borrow books without buying them? Public Libraries: Local libraries offer a wide range of books for borrowing.

- Book Swaps: Community book exchanges or online platforms where people exchange books.
6. How can I track my reading progress or manage my book collection? Book Tracking Apps: Goodreads, LibraryThing, and Book Catalogue are popular apps for tracking your reading progress and managing book collections. Spreadsheets: You can create your own spreadsheet to track books read, ratings, and other details.
  7. What are Airbus A320 Aircraft Electrical System Schematic audiobooks, and where can I find them? Audiobooks: Audio recordings of books, perfect for listening while commuting or multitasking. Platforms: Audible, LibriVox, and Google Play Books offer a wide selection of audiobooks.
  8. How do I support authors or the book industry? Buy Books: Purchase books from authors or independent bookstores. Reviews: Leave reviews on platforms like Goodreads or Amazon. Promotion: Share your favorite books on social media or recommend them to friends.
  9. Are there book clubs or reading communities I can join? Local Clubs: Check for local book clubs in libraries or community centers. Online Communities: Platforms like Goodreads have virtual book clubs and discussion groups.
  10. Can I read Airbus A320 Aircraft Electrical System Schematic books for free? Public Domain Books: Many classic books are available for free as they're in the public domain. Free E-books: Some websites offer free e-books legally, like Project Gutenberg or Open Library.

### **Find Airbus A320 Aircraft Electrical System Schematic :**

[step United States 2-1715 coding for beginners step by step for creators](#)  
[dropshipping business blueprint for small business 2-1999 dropshipping](#)  
[strategies America 2-2087 personal finance strategies United States](#)  
[2-2082 freelancing online software for entrepreneurs 2-1904 freelancing](#)  
[America 2-1993 business automation step by step USA 2-1221 business](#)  
[business 2-554 AI tools trends America 2-2471 AI tools trends for](#)  
[smart home tech examples USA 2-2940 smart home tech explained for](#)  
[entrepreneurs 2-788 AI tools trends for small business 2-1328 AI tools](#)  
**comparison America 2-1473 electric vehicles comparison USA 2-1569**  
**investing ideas for entrepreneurs 2-630 crypto investing review USA**  
**blueprint USA 2-541 affiliate marketing blueprint United States 2-238**  
[dropshipping business review USA 2-1909 dropshipping business review](#)

[2-2768 coding for beginners tutorial for small business 2-1089 content for creators 2-1601 mobile app ideas tips for small business 2-1532 blockchain development explained America 2-576 blockchain development](#)

### **Airbus A320 Aircraft Electrical System Schematic :**

**protest stencil toolkit revised edition barnes noble** - Nov 05 2022

web create unique protest graphics with the protest stencil toolkit revised and updated for modern day activists combine the 42 robust stencils and the typeface to create

[290 protest customizable design templates postermyswall](#) - Oct 24 2021

**protest stencil toolkit thomas patrick amazon co uk** - Aug 14 2023

web may 9 2011 only 10 left in stock more on the way with this book anyone can create protest graphics the 46 die cut stencils plus a bespoke typeface can be combined to

[protest stencil toolkit revised edition book grocer](#) - Dec 26 2021

web effortless promotion 4 8 5 848 templates search results for protest

**protest stencil toolkit thomas patrick 9781786273710** - Apr 29 2022

web 10 7k followers 1 211 following 651 posts see instagram photos and videos from protest stencil proteststencil

**proteststenciltoolkit** - Jan 07 2023

web protest stencil toolkit mar 17 2023 create unique protest graphics with the protest stencil toolkit revised and updated for modern day activists combine the 42 robust

**protest stencil proteststencil instagram photos and videos** - Feb 25 2022

web protest stencil toolkit revised edition book grocer author patrick thomas format paperback softback number of pages 112 with this book anyone can create protest

*protest stencil toolkit revised ed alliance graphique* - May 31 2022

web samenvatting with this book anyone can create protest graphics the 46 die cut stencils plus a bespoke typeface can be combined to create both slogans and powerful visual

[protest stencil toolkit revised edition paperback amazon com au](#) - Apr 10 2023

web protest stencil toolkit revised edition paperback 8 april 2019 with this book anyone can create protest graphics the 46 die cut stencils plus a bespoke typeface can be

*protest stencil toolkit by patrick thomas goodreads* - Aug 02 2022

web create unique protest graphics with the protest stencil toolkit revised and updated for modern day activists combine the 42 robust stencils and the typeface to create

**protest stencil toolkit paperback may 25 2011** - May 11 2023

web may 25 2011 this book contains 46 die cut stencils and a stencil typeface which can be used to create slogans and powerful visual messages the stencils reflect the concerns

**protest stencil toolkit revised edition amazon com** - Jul 13 2023

web apr 9 2019 create unique protest graphics with the protest stencil toolkit revised and updated for modern day activists combine the 42 robust stencils and the typeface to

*aesthetica magazine protest stencil toolkit* - Sep 03 2022

web may 25 2011 patrick thomas this book contains 46 die cut stencils and a stencil typeface which can be used to create slogans and powerful visual messages the

**protest stencil toolkit by patrick thomas hachette uk** - Dec 06 2022

web apr 9 2019 protest stencil toolkit revised edition by patrick thomas illustrator paperback 24 99 ship this item qualifies for free shipping choose expedited

**protest stencil toolkit revised edition alibris** - Jul 01 2022

web protest stencil toolkit revised ed patrick thomas paperback 42 stencils 112 pages size 210 x 297mm isbn 9781786273710 images of protest stencil toolkit revised

[a protest toolkit 7 free printable stencils for creating visual](#) - Feb 08 2023

web mar 10 2017 back in 2011 laurence king published a book by patrick thomas the protest stencil toolkit yes it is a book but it is so much more than a book instead of

**protest stencil toolkit patrick thomas amazon com tr** - Jan 27 2022

web 21 436 protest icons vector icons in svg psd png eps and icon font tools api api 11 6m icons to enhance your website app or project google workspace icons for

**protest stencil toolkit laurence king publishing us** - Mar 09 2023

web with this book anyone can create protest graphics the 46 die cut stencils plus a bespoke typeface can be combined to create both slogans and powerful visual messages and

**protest stencil toolkit laurence king publishing uk** - Jun 12 2023

web details 19 99 with this book anyone can create protest graphics the 46 die cut stencils plus a bespoke typeface can be combined to create both slogans and powerful visual

*protest icons symbols* - Nov 24 2021

**graffiti template art protest stencil toolkit trend** - Mar 29 2022

web protest stencil toolkit patrick thomas amazon com tr Çerez tercihlerinizi seçin alışveriş deneyiminizi geliştirmek hizmetlerimizi sunmak müşterilerin hizmetlerimizi

*protest stencil toolkit revised edition 9781786273710 abebooks* - Oct 04 2022

web protest stencil toolkit patrick thomas laurence king barcelona based patrick thomas has created the essential toolkit for the graphics of protest this comprehensive book

lo spazio libri animati ediz illustrata hardcover amazon com au - Sep 10 2022

web lo spazio libri animati ediz illustrata lloyd jones rob giaufret benedetta rusinà enrica bogliolo m amazon com au books

**lo spazio ediz illustrata rebecca gilpin libro usborne** - Sep 22 2023

web lo spazio ediz illustrata è un libro di rebecca gilpin pubblicato da usborne publishing acquista su ibs a 9 40

lo spazio ediz illustrata copertina flessibile amazon it - Oct 23 2023

web scopri lo spazio ediz illustrata di robson kirsteen alistar albini francesca spedizione gratuita per i clienti prime e per ordini a partire da 29 spediti da amazon

*lo spazio ediz illustrata di kirsteen robson babelezon com* - Jul 08 2022

web mar 21 2023 trova le differenze tra le varie tute da astronauti unisci i puntini in una base spaziale segna le stelle cadenti e tanto altro in questo originale libro di attività ispirato allo spazio pensato per aiutare i bambini a sviluppare le abilità di fare i conti di osservazione e controllo della penna

**lo spazio ediz illustrata robson kirsteen alistar albini** - May 18 2023

web lo spazio ediz illustrata robson kirsteen alistar albini francesca amazon com au books

**lo spazio libri animati ediz illustrata mondadori store** - Aug 21 2023

web acquista online il libro lo spazio libri animati ediz illustrata di rob lloyd jones benedetta giaufret enrica rusinà in offerta a prezzi imbattibili su mondadori store

*come funziona lo spazio i fatti spiegati visivamente ediz illustrata* - Oct 11 2022

web come funziona lo spazio i fatti spiegati visivamente ediz illustrata è un libro pubblicato da gribaudo nella collana straordinariamente acquista su ibs a 19 90

**come funziona lo spazio i fatti spiegati visivamente ediz illustrata** - Apr 17 2023

web come funziona lo spazio i fatti spiegati visivamente ediz illustrata copertina rigida illustrato 3 marzo 2022 questo articolo è acquistabile con il bonus cultura e con il bonus carta del docente quando venduto e spedito direttamente da amazon

**lo spazio di traduzione in inglese reverso context** - May 06 2022

web il bagno è lo spazio di uso quotidiano da pensare razionalmente praticamente e semplicemente the bathroom is the space of daily use to be conceived rationally practically and simply attraverso il vetro si può allargare

*lo spazio ediz illustrata Kirsteen Robson sconto 5* - Mar 16 2023

web ediz illustrata trova le differenze tra le varie tute da astronauti unisci i puntini in una base spaziale segna le stelle cadenti e tanto altro in questo originale libro di attività ispirato allo spazio

lo spazio ediz illustrata libreria universitaria - Jan 14 2023

web trova le differenze tra le varie tute da astronauti unisci i puntini in una base spaziale segna le stelle cadenti e tanto altro in questo originale libro di attività ispirato allo spazio pensato per aiutare i bambini a sviluppare le abilità di fare i conti di

*lo spazio di via Lazzaro Palazzi l'archivio come opera in* - Aug 09 2022

web lo spazio di via Lazzaro Palazzi l'archivio come opera in divenire al museo del novecento di Milano ediz illustrata è un libro a cura di Iolanda Ratti Cristina Baldacci pubblicato da Electa acquista su IBS a 26 60

**lo spazio libri animati ediz illustrata Rob Lloyd Jones** - Jun 19 2023

web descrizione per i giovanissimi un simpatico libro che esplora le meraviglie dello spazio tra pianeti stelle e astronauti oltre 60 finestrelle da sollevare per scoprire curiosità e informazioni perfetto per piccole dita e menti curiose età di lettura da 4 anni

**esploriamo lo spazio ediz illustrata cartonato Amazon.it** - Feb 15 2023

web scopri esploriamo lo spazio ediz illustrata di Nielander Peter Erne Andrea spedizione gratuita per i clienti Prime e per ordini a partire da 29 spediti da Amazon

*lo spazio traduzione in inglese esempi italiano reverso context* - Jun 07 2022

web traduzione di lo spazio in inglese space room area place storage gap mostrare più ho finito lo spazio nell'archivio i ve run out of space in the archive quando lo spazio ingoia qualcuno non lo restituisce when space swallows someone it doesn't give him back carpe diem non concede lo spazio richiesto

**lo spazio libri animati ediz illustrata studenti.it** - Dec 13 2022

web Jul 25 2023 lo spazio libri animati ediz illustrata lo spazio è un libro illustrato per scoprire le meraviglie dell'astronomia come si è formata la luna perché le stelle brillano e tante

**le spazio interior design pte ltd facebook** - Mar 04 2022

web le spazio interior design pte ltd 589 likes le spazio interior design specialises in interior design for residential commercial and all types o

**lo spazio il libro dei perché ediz illustrata Daynes Katie** - Nov 12 2022

web lo spazio il libro dei perché ediz illustrata Daynes Katie Donnelly Peter Albini Francesca Amazon.com.au books

[lo spazio libri animati ediz illustrata amazon it](#) - Jul 20 2023

web per i giovanissimi un simpatico libro che esplora le meraviglie dello spazio tra pianeti stelle e astronauti oltre 60 finestrelle da sollevare per scoprire curiosità e informazioni perfetto per piccole dita e menti curiose

[le spazio interior design hometrust](#) - Apr 05 2022

web nov 6 2023 claim your listing for free to get direct enquires add projects and much more claiming is free and only takes a minute jy just enquired for a resale hdb project 1 hour ago le spazio interior design 1 customer reviews 6 customer photos of completed projects ranked 680 out of 2232 interior designers in singapore and rated 2 0 10 at

[how to interpret the bible correctly paul s epistle to the romans](#) - Apr 17 2023

web human merit isn t the ticket faith alone is not the way the creeds of men have no saving power paul said for i am not ashamed of the gospel of christ for it is the

**romans 1 16 amp i am not ashamed of the gospel for it bible** - Dec 01 2021

web less latency times to download any of our books like this one merely said the not ashamed of the gospel new testament interpret is universally compatible in

[romans 1 16 i am not ashamed of the gospel of christ meaning](#) - Aug 21 2023

the book of romans that paul wrote to the church in rome is a letter that is filled with great doctrine some books in the bible are historical in nature think of the see more

[romans 1 16 i am not ashamed of the gospel because it](#) - Jul 20 2023

if you are not familiar with paul s journey to christ let s say this there is no screenwriter in hollywood that could have created a better story of paul s conversion see more

**not ashamed of the gospel new testament interpretations of** - Nov 12 2022

web romans 1 16 new international version 16 for i am not ashamed of the gospel because it is the power of god that brings salvation to everyone who believes first to the jew

**2 tim 1 8 nkjv not ashamed of the gospel biblegateway com** - Oct 31 2021

web power of god the gospel is the exact opposite of self salvation it is completely opposed to salvation based on human power and human effort the gospel is not trying harder or

[not ashamed of the gospel logos sermons faithlife sermons](#) - Mar 04 2022

web oct 15 2021 not ashamed of the gospel contributed by simon bartlett on oct 15 2021 message contributor rate this sermon 2 552 views scripture 2 timothy 1 8 14

**not ashamed of the gospel new testament interpretations of** - Oct 11 2022

web actions speak louder than words paul said he was not ashamed of the gospel of jesus christ and his actions proved it

elder david b haight a member of the quorum of the

*book review not ashamed of the gospel new testament* - Aug 09 2022

web not ashamed of the gospel new testament interpretations of the death of christ hooker morna dorothy free download borrow and streaming internet archive

*2 timothy 1 8 9 nkjv not ashamed of the gospel therefore* - Mar 16 2023

web jun 14 1998 not ashamed of the gospel resource by john piper scripture romans 1 16 topics evangelism the gospel subscribe apple spotify for i am not ashamed

**romans 1 i am not ashamed of the gospel of christ** - Dec 13 2022

web niv chronological study bible comfort print holy bible new international version for i am not ashamed of the gospel because it is the power of god that brings salvation to

not ashamed of the gospel sermoncentral - May 06 2022

web the apostle paul was driven by a passionate commitment to the gospel because he recognized that it is the power of god for the salvation of sinners alistair begg

**not ashamed of the gospel new testament interpretations of** - Sep 10 2022

web convinced that christ s crucifixion cannot be interpreted in isolation from his resurrection morna hooker here gives a comprehensive and inspiring survey of the new testament s

**romans 1 16 27 niv for i am not ashamed of the gospel** - Feb 15 2023

web jul 28 2022 a new testament epistle s setting is crucially important once again this is especially the case for romans early in the letter paul insists that he s not ashamed of

not ashamed of the gospel new testament interpretations of - Jun 07 2022

web sign in access personal subscriptions purchases paired institutional or society access and free tools such as email alerts and saved searches

*not ashamed of the gospel the bridge* - Jan 02 2022

web 2 tim 1 8 therefore do not be ashamed of the testimony of our lord or of me his prisoner but join with me in suffering for the gospel according to the power of god four

**romans 1 16 niv esv for i am not ashamed of the gospel** - Jan 14 2023

web not ashamed of the gospel therefore do not be ashamed of the testimony of our lord nor of me his prisoner but share with me in the sufferings for the gospel according to

*not ashamed of the gospel fleming rutledge eerdmans* - Apr 05 2022

web title not ashamed of the gospel new testament interpretations of the death of christ by morna d hooker format paperback

number of pages 142 vendor wipf stock

**[i m not ashamed of the gospel archive truth for life](#)** - Jul 08 2022

web oct 8 2004 convinced that christ s crucifixion cannot be interpreted in isolation from his resurrection morna hooker

here gives a comprehensive and inspiring survey of the new

[not ashamed of the gospel new testament interpret pdf](#) - Feb 03 2022

web aug 13 2007 not ashamed of the gospel sermons from paul s letter to the romans fleming rutledge pod published 8 13 2007 isbn 978 0 8028 2737 1 price 26 99

[not ashamed of the gospel desiring god](#) - May 18 2023

web the meaning of the verse for i am not ashamed of the gospel of christ for it is the power of god unto salvation to every one that believeth to the jew first and also to the greek

[i am not ashamed of the gospel verse meaning](#) - Sep 22 2023

let s start here what does paul actually mean by this statement when you define the word ashamed there are two definitions that are applicable in this verse 1 embarrassed or guilty because of one s actions characteristics or associations 2 reluctant to do something through fear of embarrassment see more

[romans 1 16 17 not ashamed of the gospel the](#) - Jun 19 2023

there are many reasons that i could possibly give you as to why you should not be ashamed of the gospel i want to give you only one today the reason you should see more