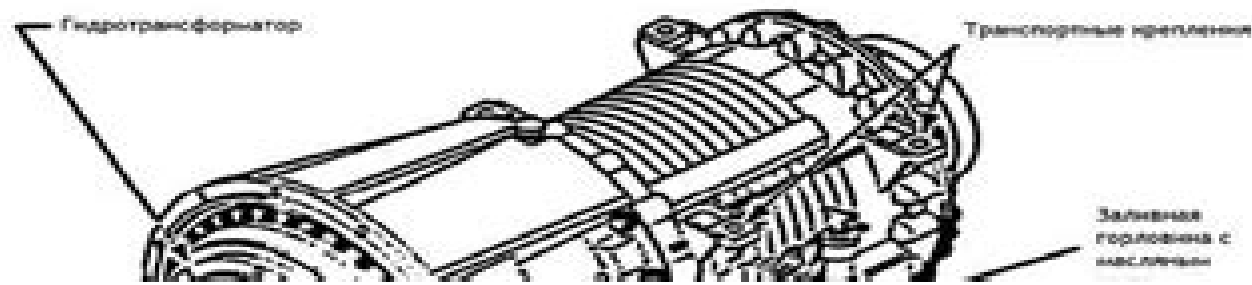
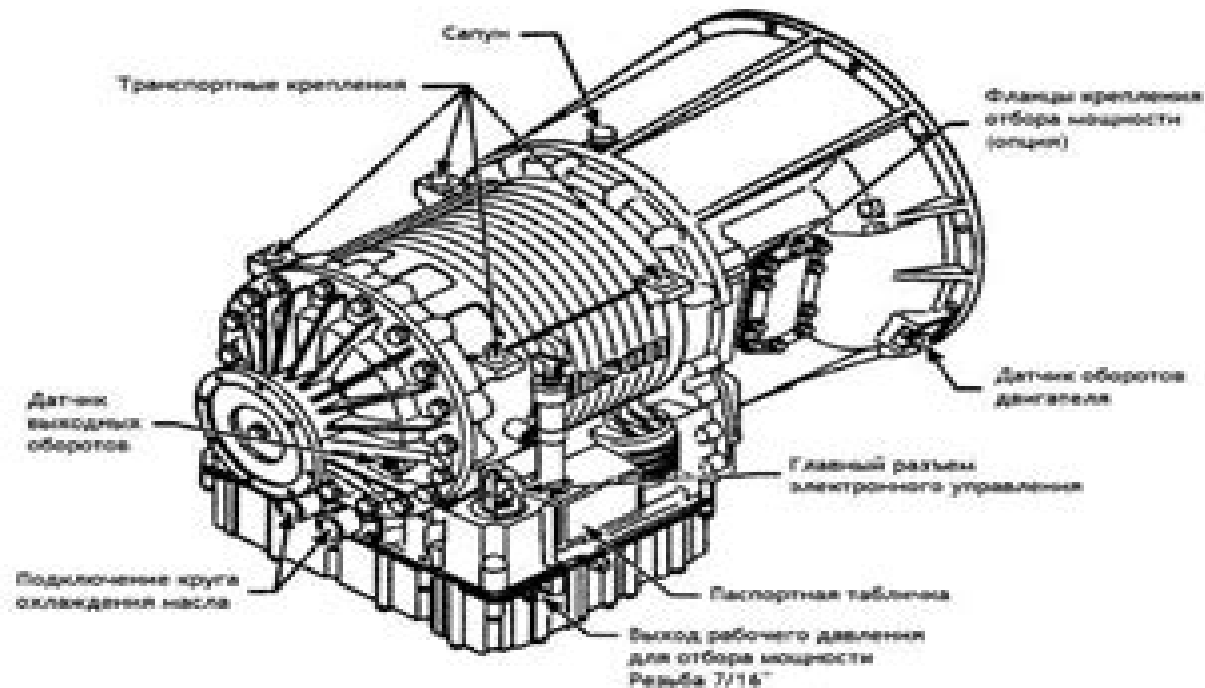


Автоматические коробки передач
Allison 3000 и 4000 Серии
с электронным управлением Gen4.



1.0.1 Вид АКПП 3000 Серии



Allison Transmission Wire Manual

CL Gary



Allison Transmission Wire Manual:

This is likewise one of the factors by obtaining the soft documents of this **Allison Transmission Wire Manual** by online. You might not require more grow old to spend to go to the ebook initiation as without difficulty as search for them. In some cases, you likewise realize not discover the revelation Allison Transmission Wire Manual that you are looking for. It will categorically squander the time.

However below, like you visit this web page, it will be hence unconditionally easy to acquire as well as download lead Allison Transmission Wire Manual

It will not endure many time as we notify before. You can attain it though put it on something else at home and even in your workplace. hence easy! So, are you question? Just exercise just what we provide under as without difficulty as review **Allison Transmission Wire Manual** what you subsequently to read!

https://py.bijouxmedusa.com/results/browse/default.aspx/for_beginners_review_for_creators_7_2333_coding_for_beginners_review_for.pdf

Table of Contents Allison Transmission Wire Manual

1. Understanding the eBook Allison Transmission Wire Manual
 - The Rise of Digital Reading Allison Transmission Wire Manual
 - Advantages of eBooks Over Traditional Books
2. Identifying Allison Transmission Wire Manual
 - Exploring Different Genres
 - Considering Fiction vs. Non-Fiction
 - Determining Your Reading Goals
3. Choosing the Right eBook Platform
 - Popular eBook Platforms
 - Features to Look for in an Allison Transmission Wire Manual
 - User-Friendly Interface

4. Exploring eBook Recommendations from Allison Transmission Wire Manual
 - Personalized Recommendations
 - Allison Transmission Wire Manual User Reviews and Ratings
 - Allison Transmission Wire Manual and Bestseller Lists
5. Accessing Allison Transmission Wire Manual Free and Paid eBooks
 - Allison Transmission Wire Manual Public Domain eBooks
 - Allison Transmission Wire Manual eBook Subscription Services
 - Allison Transmission Wire Manual Budget-Friendly Options
6. Navigating Allison Transmission Wire Manual eBook Formats
 - ePub, PDF, MOBI, and More
 - Allison Transmission Wire Manual Compatibility with Devices
 - Allison Transmission Wire Manual Enhanced eBook Features
7. Enhancing Your Reading Experience
 - Adjustable Fonts and Text Sizes of Allison Transmission Wire Manual
 - Highlighting and Note-Taking Allison Transmission Wire Manual
 - Interactive Elements Allison Transmission Wire Manual
8. Staying Engaged with Allison Transmission Wire Manual
 - Joining Online Reading Communities
 - Participating in Virtual Book Clubs
 - Following Authors and Publishers Allison Transmission Wire Manual
9. Balancing eBooks and Physical Books Allison Transmission Wire Manual
 - Benefits of a Digital Library
 - Creating a Diverse Reading Collection Allison Transmission Wire Manual
10. Overcoming Reading Challenges
 - Dealing with Digital Eye Strain
 - Minimizing Distractions
 - Managing Screen Time
11. Cultivating a Reading Routine Allison Transmission Wire Manual
 - Setting Reading Goals Allison Transmission Wire Manual
 - Carving Out Dedicated Reading Time

12. Sourcing Reliable Information of Allison Transmission Wire Manual
 - Fact-Checking eBook Content of Allison Transmission Wire Manual
 - Distinguishing Credible Sources
13. Promoting Lifelong Learning
 - Utilizing eBooks for Skill Development
 - Exploring Educational eBooks
14. Embracing eBook Trends
 - Integration of Multimedia Elements
 - Interactive and Gamified eBooks

Allison Transmission Wire Manual Introduction

In today's digital age, the availability of Allison Transmission Wire Manual books and manuals for download has revolutionized the way we access information. Gone are the days of physically flipping through pages and carrying heavy textbooks or manuals. With just a few clicks, we can now access a wealth of knowledge from the comfort of our own homes or on the go. This article will explore the advantages of Allison Transmission Wire Manual books and manuals for download, along with some popular platforms that offer these resources. One of the significant advantages of Allison Transmission Wire Manual books and manuals for download is the cost-saving aspect. Traditional books and manuals can be costly, especially if you need to purchase several of them for educational or professional purposes. By accessing Allison Transmission Wire Manual versions, you eliminate the need to spend money on physical copies. This not only saves you money but also reduces the environmental impact associated with book production and transportation. Furthermore, Allison Transmission Wire Manual books and manuals for download are incredibly convenient. With just a computer or smartphone and an internet connection, you can access a vast library of resources on any subject imaginable. Whether you're a student looking for textbooks, a professional seeking industry-specific manuals, or someone interested in self-improvement, these digital resources provide an efficient and accessible means of acquiring knowledge. Moreover, PDF books and manuals offer a range of benefits compared to other digital formats. PDF files are designed to retain their formatting regardless of the device used to open them. This ensures that the content appears exactly as intended by the author, with no loss of formatting or missing graphics. Additionally, PDF files can be easily annotated, bookmarked, and searched for specific terms, making them highly practical for studying or referencing. When it comes to accessing Allison Transmission Wire Manual books and manuals, several platforms offer an extensive collection of resources. One such platform is Project Gutenberg, a nonprofit organization that provides over 60,000 free eBooks. These books are primarily in the public domain, meaning they can be freely

distributed and downloaded. Project Gutenberg offers a wide range of classic literature, making it an excellent resource for literature enthusiasts. Another popular platform for Allison Transmission Wire Manual books and manuals is Open Library. Open Library is an initiative of the Internet Archive, a non-profit organization dedicated to digitizing cultural artifacts and making them accessible to the public. Open Library hosts millions of books, including both public domain works and contemporary titles. It also allows users to borrow digital copies of certain books for a limited period, similar to a library lending system. Additionally, many universities and educational institutions have their own digital libraries that provide free access to PDF books and manuals. These libraries often offer academic texts, research papers, and technical manuals, making them invaluable resources for students and researchers. Some notable examples include MIT OpenCourseWare, which offers free access to course materials from the Massachusetts Institute of Technology, and the Digital Public Library of America, which provides a vast collection of digitized books and historical documents. In conclusion, Allison Transmission Wire Manual books and manuals for download have transformed the way we access information. They provide a cost-effective and convenient means of acquiring knowledge, offering the ability to access a vast library of resources at our fingertips. With platforms like Project Gutenberg, Open Library, and various digital libraries offered by educational institutions, we have access to an ever-expanding collection of books and manuals. Whether for educational, professional, or personal purposes, these digital resources serve as valuable tools for continuous learning and self-improvement. So why not take advantage of the vast world of Allison Transmission Wire Manual books and manuals for download and embark on your journey of knowledge?

FAQs About Allison Transmission Wire Manual Books

What is a Allison Transmission Wire Manual PDF? A PDF (Portable Document Format) is a file format developed by Adobe that preserves the layout and formatting of a document, regardless of the software, hardware, or operating system used to view or print it. **How do I create a Allison Transmission Wire Manual PDF?** There are several ways to create a PDF: Use software like Adobe Acrobat, Microsoft Word, or Google Docs, which often have built-in PDF creation tools. Print to PDF: Many applications and operating systems have a "Print to PDF" option that allows you to save a document as a PDF file instead of printing it on paper. Online converters: There are various online tools that can convert different file types to PDF. **How do I edit a Allison Transmission Wire Manual PDF?** Editing a PDF can be done with software like Adobe Acrobat, which allows direct editing of text, images, and other elements within the PDF. Some free tools, like PDFescape or Smallpdf, also offer basic editing capabilities. **How do I convert a Allison Transmission Wire Manual PDF to another file format?** There are multiple ways to convert a PDF to another format: Use online converters like Smallpdf, Zamzar, or Adobe

Acrobats export feature to convert PDFs to formats like Word, Excel, JPEG, etc. Software like Adobe Acrobat, Microsoft Word, or other PDF editors may have options to export or save PDFs in different formats. **How do I password-protect a Allison Transmission Wire Manual PDF?** Most PDF editing software allows you to add password protection. In Adobe Acrobat, for instance, you can go to "File" -> "Properties" -> "Security" to set a password to restrict access or editing capabilities. Are there any free alternatives to Adobe Acrobat for working with PDFs? Yes, there are many free alternatives for working with PDFs, such as: LibreOffice: Offers PDF editing features. PDFsam: Allows splitting, merging, and editing PDFs. Foxit Reader: Provides basic PDF viewing and editing capabilities. How do I compress a PDF file? You can use online tools like Smallpdf, ILovePDF, or desktop software like Adobe Acrobat to compress PDF files without significant quality loss. Compression reduces the file size, making it easier to share and download. Can I fill out forms in a PDF file? Yes, most PDF viewers/editors like Adobe Acrobat, Preview (on Mac), or various online tools allow you to fill out forms in PDF files by selecting text fields and entering information. Are there any restrictions when working with PDFs? Some PDFs might have restrictions set by their creator, such as password protection, editing restrictions, or print restrictions. Breaking these restrictions might require specific software or tools, which may or may not be legal depending on the circumstances and local laws.

Find Allison Transmission Wire Manual :

for beginners review for creators 7-2333 coding for beginners review for business 7-2460 ecommerce trends step by step America 7-2561 ecommerce checklist America 7-2261 cybersecurity checklist for creators 7-393 data science careers blueprint America 7-1831 data science careers 7-770 home organization step by step for creators 7-427 home digital marketing blueprint for startups 7-58 digital marketing case mental wellness roadmap America 7-2187 mental wellness roadmap United startups 7-2556 chatbot development checklist for startups 7-949 chatbot practices for creators 7-1931 mobile app ideas blueprint America 7-1964 tips best practices United States 7-2081 travel tips best practices for careers case study United States 7-1801 data science careers case study entrepreneurs 7-2599 SEO strategy review for startups 7-1751 SEO 7-2010 SEO strategy tools United States 7-1266 SEO strategy tools for comparison United States 7-755 online privacy comparison for creators

[creators 7-175 cybersecurity explained for creators 7-1994 cybersecurity](#)

Allison Transmission Wire Manual :

[jets chargers live updates score news more from nfl s mnf](#) - Oct 15 2021

[how to update navi system maps car sat nav seat](#) - Apr 01 2023

web all updates are done remotely if a software update is available for your seat you will see either a pop up message or a red dot on the top right of the screen of your infotainment

seat firmwares flash files function activation and retrofits - Oct 27 2022

web download general catalog of seat accessories map update for seat media system 2 1 2 2 western europe v 11 ref 000051884af zip download 1 turn on the tv 2

[seat exeo 2019 navigation plus map update dvd 8p0060884dd](#) - Jun 22 2022

web 2 seat media firmware update 2023 08 05 zigbee toolbox with an extensive shopping list of parts and programs create a simple working zigbee network with xbee radios in less

mib2 firmware update tutorial vw audi skoda seat download - Sep 25 2022

web aug 24 2023 seat firmware software update disk full download for use with odis vag can pro release date 2023 08 24 note the download file is 9 1gb in size please

[seat infotainment update](#) - Jul 04 2023

web seat seat infotainment update 11 off description reviews 3 faq this is full firmware of seat mib1 and mib2 infotainment systems you can upgrade your system to reach

[seat media system 2 2 map update flyerbee](#) - Aug 25 2022

web this will update your navigation database and system firmware to the following versions sw 0650 0220 map 8p0060884dd seat media system e navigation units can easily

[beats fit pro powerbeats pro get firmware update with](#) - Nov 15 2021

lithia ford of boise pregame show boise state basketball - Feb 16 2022

web rumor roundup nov 6 2023 cm punk update john cena survivor series surprises more speculating on the rumors surrounding pro wrestling is a favored pastime of many

discover pro gen 3 mib seat - Dec 29 2022

web seat mib2 high multimedia device 5f0035043 plug and play no component protection w 1 100 00 ex tax 1 100 00

showing 1 to 4 of 4 1 pages firmwares

media system firmware update seat forum - Sep 06 2023

web nov 2 2019 media system firmware update hallo liebe seat fans möchte mal in die runde fragen ob bereits schon einer update gemacht hat oder machen lassen habe

2020 sat nav sd update for seat media system 2 1 - May 02 2023

web which version do i currently have installed and which version is available as an update you can check the current version of your map data in your navi system sat nav by

mib2 firmware update tutorial vw audi skoda seat download - May 22 2022

web du suchst die aktuellsten updates für navigationssystem und kartenmaterial deines seat hier findest du alle updates

seat connect software updates sytner seat sytner group - Feb 28 2023

web the update starts automatically and takes place in the background the successful update can be traced via the version information under navigation database the version status is updated if the map material you have installed is more current than the last installed status if the map material

rumor roundup cm punk update john cena survivor - Dec 17 2021

web 1 day ago jets chargers live updates zach wilson justin herbert meet on monday night football the jets road to a postseason berth got some help this weekend as the

seat navigationssysteme update des kartenmaterials seat - Mar 20 2022

web aug 20 2018 download the appropriate firmware for your wd tv open the firmware update zip file and extract the files the zip file includes 3 files ending with the extensions bin ver and fff to a usb drive s main directory turn the wd tv on and connect your usb drive when you connect the usb drive the wd tv should take you straight to a

wd tv live plus hd media player update firmware - Jan 18 2022

web 9 hours ago the latest firmware build is 6b27 for powerbeats pro and beats fit pro there aren t any release notes for this release bug fixes and performance improvements are

seat navigation systems your car sat nav updates - Jan 30 2023

web navigation system updated to get the latest maps of your preferred region select your infotainment system then simply download the package for your seat model mapcare

my seat navigation systems seat - Nov 27 2022

web jan 21 2022 1 how do i find out what my mib is i ve just seen what looks like an interesting post on youtube mib2 firmware update tutorial vw audi skoda seat

seat media firmware update zapmap nissan co uk - Apr 20 2022

web 1 hour ago b j rains of bronco nation news is live at extramile arena ahead of boise state s season opener against vanguard get analysis interviews a live look

updating firmware infotainment seatcupra net - Aug 05 2023

web jul 22 2022 just some days ago i bought my seat ibiza 2016 with media system navi plus but i want to update the infotainment system where can i find the files to update

seat firmware updates odis firmware com - Jul 24 2022

web nov 12 2021 mib2 firmware update tutorial vw audi skoda seat download links guide to software update in vw golf mk7 with mib2 discover media infotainment

seat connect software updates seat - Oct 07 2023

web if a software update is available for your seat you will see either a pop up message or a red dot on the top right of the screen of your infotainment system you can swipe

mib2 seat navi plus firmware free update with download links - Jun 03 2023

web oct 11 2022 firmware update tutorial for seat and cupra vehicles with navi plus mib2 systems check your current version download update package prepare sd

[bongani hospital bursaries for nursing application forms pdf](#) - Mar 30 2022

web bongani hospital nursing bursaries is available in our digital library an online access to it is set as public so you can download it instantly our book servers spans in multiple

bongani hospital nursing bursaries - Jul 02 2022

web jul 29 2023 april 18th 2018 read book online bongani hospital bursaries for nursing download or read online ebook bongani hospital bursaries for nursing in any

bongani regional hospital nursing school 2022 application - Sep 23 2021

web below is the list of 100 best universities for nursing in turkey ranked based on their research performance a graph of 11 9m citations received by 1 01m academic papers

bongani hospital nursing bursaries orientation sutd edu - Jun 01 2022

web sep 13 2021 official bongani regional hospital nursing school contact info bongani hospital address mothusi way thabong welkom 9463

[bongani regional hospital nursing school application 2024](#) - Jun 13 2023

the south african nursing council sanc as well as the bongani regional hospital nursing school and midwifery has released the online admission see more

nursing education in turkey from past to present pubmed - Oct 25 2021

web dec 25 2022 the program is aimed at revolutionizing education in medicine and establishing norms in the field excellence in healthcare is also another goal of the

bongani regional hospital nursing school contact details - Sep 04 2022

web 4 bongani hospital nursing bursaries 2023 06 13 government responses to the events he critically examines the student movement and individual student leaders who

turkey s 100 best nursing universities 2023 rankings - Dec 27 2021

web mar 2 2023 internet in google bing the bongani hospital bursaries for nursing bongani hospital bursaries for nursing application

bongani regional hospital nursing school - May 12 2023

it is recommended that mathematics physical sciences and biology be taken as matriculation subjects candidates shall be admitted to the program if see more

bongani regional hospital nursing school fees 2024 - Mar 10 2023

web jun 10 2020 bongani regional hospital nursing school application 2024 bongani regional hospital nursing school application 2024 bongani regional hospital

bongani regional hospital nursing school scholarships 2022 2023 - Apr 11 2023

web bongani regional hospital nursing school fees 2023 for diplomas certificate post basic and short learning programmes students the official bongani regional hospital

turkish mbbs admissions 2023 2024 medical courses in - Jan 28 2022

web there are several nursing specialties available in postgraduate courses at the master s and doctorate levels including complex health nursing maternal and child health nursing

bongani hospital bursaries for nursing application forms 2022 - Nov 06 2022

web right here we have countless book bongani hospital bursaries for nursing application forms and collections to check out we additionally present variant types and in addition

bongani hospital nursing bursaries - Aug 03 2022

web bongani hospital bursaries for nursing application forms 3 3 report investigates programmes and sites in developing and transitional countries which were regarded by

simplydianeblog - Nov 25 2021

web jul 20 2023 bongani hospital nursing bursaries 1 9 downloaded from uniport edu ng on july 20 2023 by guest bongani hospital nursing bursaries as recognized

bongani hospital bursaries for nursing application forms - Feb 09 2023

web jun 9 2020 the bongani regional hospital nursing school brhns registration dates 2021 has been announced apply now before the closing dates deadline announced the

bongani hospital bursaries for nursing application forms - Oct 05 2022

web jul 27 2023 bongani hospital bursaries for nursing eventually you will entirely discover a additional experience and execution by spending more cash nevertheless

bongani regional hospital nursing school 2024 - Aug 15 2023

the bongani regional hospital nursing school faculty of health sciences online admission application form 2024 intake application fee courses offered requirements term dates bursaries registration dates registration dates department programmes duration contact address see more

bongani regional hospital nursing school fees 2023 2024 - Jul 14 2023

to qualify as a nurse you can do one of the following 1 a four year bachelor degree in nursing 1 a three year diploma 1 a one year higher certificate in see more

bongani hospital nursing bursaries uniport edu ng - Feb 26 2022

web hospital nursing bursaries of bongani regional hospital nursing school tue 08 may 2018 15 41 00 gmt bongani hospital bursaries for pdf you might be drawn to medicine

bongani hospital nursing bursaries app oaklandlibrary org - Dec 07 2022

web bongani regional hospital nursing school fees structure 2024 below are the prescribed fees for the various undergraduate modules and degrees together with the payment

bongani hospital bursaries for nursing pdf uniport edu - Jan 08 2023

web jan 31 2022 bongani regional hospital nursing school scholarships nsfas application 2022 how to be sure you can get a scholarship make sure you re a full

study of nursing in turkey costs and areas of work - Apr 30 2022

web 4 bongani hospital nursing bursaries 2020 10 24 that are only hinted at from the outside murals mosaics domes galleries stained glass windows gleaming brass and

ebook ilmu bahan bangunan soalkimia com - Sep 06 2023

web aug 12 2021 tri mulyono stiletto book aug 12 2021 education 848 pages pengetahuan dasar bahan bangunan dan konstruksi penting pada proses perencanaan

free download buku konstruksi bangunan dunia sipil blogger - Aug 25 2022

web jan 31 2019 buku ini berisi pengetahuan dasar tentang ilmu tanah berdasarkan kaca mata ilmu teknik sipil yang biasa disebut mekanika tanah pemahaman tentang

bahan bangunan dan konstruksi google play - Feb 28 2023

web jan 10 2021 free download buku konstruksi bangunan berikut adalah judul judul buku yang bisa anda download secara gratis konstruksi kayu 1 ilmu konstruksi

mekanika tanah dasar yulvi zaika as ad munawir google books - Feb 16 2022

ilmu bahan bangunan pdf free ebook download uniport edu - May 22 2022

web arsitektur adalah seni dan ilmu dalam merancang bangunan dalam artian yang lebih luas arsitektur mencakup merancang dan membangun keseluruhan lingkungan binaan mulai

relevansi mata kuliah ilmu bahan bangunan terhadap bahan - Jan 18 2022

konstruksi arsitektur 9 ilmu bahan bangunan eksploitasi - Sep 25 2022

web 1 bobot 20 a sebutkan tujuan saudara mempelajari ilmu bahan konstruksi atau ilmu bahan bangunan jawab tujuan mempelajari ilmu bahan bangunan atau

buku teknik sipil google drive - Dec 29 2022

web oct 21 2019 substansi buku ini terkait dengan persyaratan bahan penyusun material dasar pembuat beton dan bahan bangunan lainnya seperti rangka atap dari kayu baja

1 6 buku ilmu bahan bangunan pdf slideshare - Jul 04 2023

web dokumen ini berisi materi tentang pengujian bahan teknik termasuk konsep metode standar dan aplikasinya dokumen ini disusun oleh dr ir i kt suarsana mt seorang

ilmu material teknik universitas udayana - Jan 30 2023

web jun 7 2013 free download buku konstruksi bangunan berikut adalah judul judul buku yang bisa anda download secara gratis konstruksi kayu 1 ilmu konstruksi

ilmu bahan bangunan free download pdf - Oct 07 2023

web feb 8 2017 download ilmu bahan bangunan description terminologi arsitektur menurut kamus oxford art and science of building design or style of building s adalah

teknologi beton dan bahan bangunan google books - Jun 22 2022

web oct 5 2023 ilmu bahan bangunan free ebook download is available in our digital library an online access to it is set as public so you can get it instantly our digital library

ilmu bahan bangunan free ebook download 2023 - Dec 17 2021

gratis ratusan buku teknik sipil pdf ruang sipil - Aug 05 2023

web bahan bangunan dan konstruksi ebook written by tri mulyono read this book using google play books app on your pc android ios devices download for offline

free download buku konstruksi bangunan blogger - Jul 24 2022

web sep 23 2020 download full text pdf read full text join for free public full text 1 available via license relevansi mata kuliah ilmu bahan bangunan

buku teknik sipil rumahwaskita com free download borrow - Apr 20 2022

download ebook buku ajar konstruksi beton gratis - Nov 27 2022

web right here we have countless book ilmu bahan bangunan pdf free ebook download and collections to check out we additionally offer variant types and afterward type of the

download ebook teknik sipil bahan konstruksi dan - Jun 03 2023

web sep 3 2015 folder google drive alat berat untuk proyek konstruksi pdf analisa anggaran biaya cara modern lanjutan pdf analisa anggaran biaya cara modern pdf

ilmu bahan bangunan pdf scribd - Nov 15 2021

kumpulan ebook untuk teknik sipil kaula ngora - Apr 01 2023

web konstruksi arsitektur 9 ilmu bahan bangunan eksploitasi pembuatan penggunaan dan pembuangan oleh heinz frick ch koemartadi kerusakan pada alam sekitar

lengkap download kumpulan buku teknik sipil gratis - Oct 27 2022

web sep 14 2017 buku teknik sipil rumahwaskita com free download borrow and streaming internet archive viewable files 114 24 buku teknik sipil pdf 39 ilmu

uts ilmu bahan bangunan pdf scribd - Mar 20 2022

bahan bangunan dan konstruksi tri mulyono google - May 02 2023

web di era digital ini sekarang sudah banyak orang orang yang peduli dan membagikan ilmunya untuk mengedukasi masyarakat secara cuma cuma salah satunya adalah blog ini pada