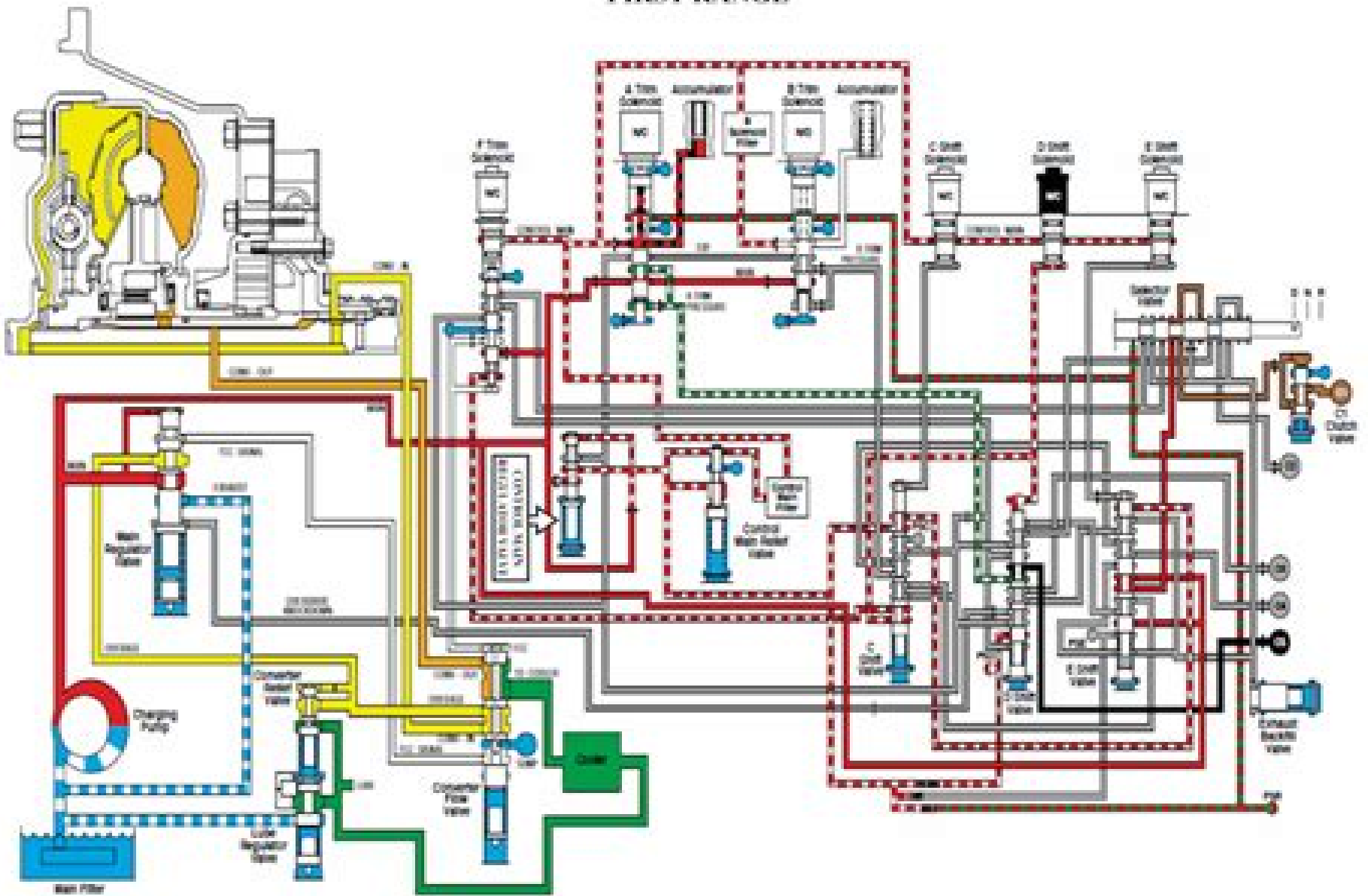


# ALLISON 1000/2000 SERIES FIRST RANGE



— MAIN PRESSURE  
- - - CONTROL MAIN PRESSURE

# Allison Transmission Wiring Schematic

**Tao Wei**



**Allison Transmission Wiring Schematic:**

Eventually, you will categorically discover a additional experience and completion by spending more cash. nevertheless when? accomplish you bow to that you require to acquire those every needs taking into consideration having significantly cash? Why dont you try to acquire something basic in the beginning? Thats something that will guide you to comprehend even more all but the globe, experience, some places, afterward history, amusement, and a lot more?

It is your unconditionally own times to measure reviewing habit. among guides you could enjoy now is **Allison Transmission Wiring Schematic** below.

<https://py.bijouxmedusa.com/About/Resources/HomePages/jerusalem%20biography%20simon%20sebag%20montefiore.pdf>

## **Table of Contents Allison Transmission Wiring Schematic**

1. Understanding the eBook Allison Transmission Wiring Schematic
  - The Rise of Digital Reading Allison Transmission Wiring Schematic
  - Advantages of eBooks Over Traditional Books
2. Identifying Allison Transmission Wiring Schematic
  - Exploring Different Genres
  - Considering Fiction vs. Non-Fiction
  - Determining Your Reading Goals
3. Choosing the Right eBook Platform
  - Popular eBook Platforms
  - Features to Look for in an Allison Transmission Wiring Schematic
  - User-Friendly Interface
4. Exploring eBook Recommendations from Allison Transmission Wiring Schematic
  - Personalized Recommendations
  - Allison Transmission Wiring Schematic User Reviews and Ratings
  - Allison Transmission Wiring Schematic and Bestseller Lists
5. Accessing Allison Transmission Wiring Schematic Free and Paid eBooks

- Allison Transmission Wiring Schematic Public Domain eBooks
  - Allison Transmission Wiring Schematic eBook Subscription Services
  - Allison Transmission Wiring Schematic Budget-Friendly Options
6. Navigating Allison Transmission Wiring Schematic eBook Formats
    - ePub, PDF, MOBI, and More
    - Allison Transmission Wiring Schematic Compatibility with Devices
    - Allison Transmission Wiring Schematic Enhanced eBook Features
  7. Enhancing Your Reading Experience
    - Adjustable Fonts and Text Sizes of Allison Transmission Wiring Schematic
    - Highlighting and Note-Taking Allison Transmission Wiring Schematic
    - Interactive Elements Allison Transmission Wiring Schematic
  8. Staying Engaged with Allison Transmission Wiring Schematic
    - Joining Online Reading Communities
    - Participating in Virtual Book Clubs
    - Following Authors and Publishers Allison Transmission Wiring Schematic
  9. Balancing eBooks and Physical Books Allison Transmission Wiring Schematic
    - Benefits of a Digital Library
    - Creating a Diverse Reading Collection Allison Transmission Wiring Schematic
  10. Overcoming Reading Challenges
    - Dealing with Digital Eye Strain
    - Minimizing Distractions
    - Managing Screen Time
  11. Cultivating a Reading Routine Allison Transmission Wiring Schematic
    - Setting Reading Goals Allison Transmission Wiring Schematic
    - Carving Out Dedicated Reading Time
  12. Sourcing Reliable Information of Allison Transmission Wiring Schematic
    - Fact-Checking eBook Content of Allison Transmission Wiring Schematic
    - Distinguishing Credible Sources
  13. Promoting Lifelong Learning
    - Utilizing eBooks for Skill Development

- Exploring Educational eBooks
- 14. Embracing eBook Trends
  - Integration of Multimedia Elements
  - Interactive and Gamified eBooks

### **Allison Transmission Wiring Schematic Introduction**

Free PDF Books and Manuals for Download: Unlocking Knowledge at Your Fingertips In today's fast-paced digital age, obtaining valuable knowledge has become easier than ever. Thanks to the internet, a vast array of books and manuals are now available for free download in PDF format. Whether you are a student, professional, or simply an avid reader, this treasure trove of downloadable resources offers a wealth of information, conveniently accessible anytime, anywhere. The advent of online libraries and platforms dedicated to sharing knowledge has revolutionized the way we consume information. No longer confined to physical libraries or bookstores, readers can now access an extensive collection of digital books and manuals with just a few clicks. These resources, available in PDF, Microsoft Word, and PowerPoint formats, cater to a wide range of interests, including literature, technology, science, history, and much more. One notable platform where you can explore and download free Allison Transmission Wiring Schematic PDF books and manuals is the internet's largest free library. Hosted online, this catalog compiles a vast assortment of documents, making it a veritable goldmine of knowledge. With its easy-to-use website interface and customizable PDF generator, this platform offers a user-friendly experience, allowing individuals to effortlessly navigate and access the information they seek. The availability of free PDF books and manuals on this platform demonstrates its commitment to democratizing education and empowering individuals with the tools needed to succeed in their chosen fields. It allows anyone, regardless of their background or financial limitations, to expand their horizons and gain insights from experts in various disciplines. One of the most significant advantages of downloading PDF books and manuals lies in their portability. Unlike physical copies, digital books can be stored and carried on a single device, such as a tablet or smartphone, saving valuable space and weight. This convenience makes it possible for readers to have their entire library at their fingertips, whether they are commuting, traveling, or simply enjoying a lazy afternoon at home. Additionally, digital files are easily searchable, enabling readers to locate specific information within seconds. With a few keystrokes, users can search for keywords, topics, or phrases, making research and finding relevant information a breeze. This efficiency saves time and effort, streamlining the learning process and allowing individuals to focus on extracting the information they need. Furthermore, the availability of free PDF books and manuals fosters a culture of continuous learning. By removing financial barriers, more people can access educational resources and pursue lifelong learning, contributing to personal growth and professional development. This democratization of knowledge promotes

intellectual curiosity and empowers individuals to become lifelong learners, promoting progress and innovation in various fields. It is worth noting that while accessing free Allison Transmission Wiring Schematic PDF books and manuals is convenient and cost-effective, it is vital to respect copyright laws and intellectual property rights. Platforms offering free downloads often operate within legal boundaries, ensuring that the materials they provide are either in the public domain or authorized for distribution. By adhering to copyright laws, users can enjoy the benefits of free access to knowledge while supporting the authors and publishers who make these resources available. In conclusion, the availability of Allison Transmission Wiring Schematic free PDF books and manuals for download has revolutionized the way we access and consume knowledge. With just a few clicks, individuals can explore a vast collection of resources across different disciplines, all free of charge. This accessibility empowers individuals to become lifelong learners, contributing to personal growth, professional development, and the advancement of society as a whole. So why not unlock a world of knowledge today? Start exploring the vast sea of free PDF books and manuals waiting to be discovered right at your fingertips.

### FAQs About Allison Transmission Wiring Schematic Books

**What is a Allison Transmission Wiring Schematic PDF?** A PDF (Portable Document Format) is a file format developed by Adobe that preserves the layout and formatting of a document, regardless of the software, hardware, or operating system used to view or print it. **How do I create a Allison Transmission Wiring Schematic PDF?** There are several ways to create a PDF: Use software like Adobe Acrobat, Microsoft Word, or Google Docs, which often have built-in PDF creation tools. Print to PDF: Many applications and operating systems have a "Print to PDF" option that allows you to save a document as a PDF file instead of printing it on paper. Online converters: There are various online tools that can convert different file types to PDF. **How do I edit a Allison Transmission Wiring Schematic PDF?** Editing a PDF can be done with software like Adobe Acrobat, which allows direct editing of text, images, and other elements within the PDF. Some free tools, like PDFescape or Smallpdf, also offer basic editing capabilities. **How do I convert a Allison Transmission Wiring Schematic PDF to another file format?** There are multiple ways to convert a PDF to another format: Use online converters like Smallpdf, Zamzar, or Adobe Acrobats export feature to convert PDFs to formats like Word, Excel, JPEG, etc. Software like Adobe Acrobat, Microsoft Word, or other PDF editors may have options to export or save PDFs in different formats. **How do I password-protect a Allison Transmission Wiring Schematic PDF?** Most PDF editing software allows you to add password protection. In Adobe Acrobat, for instance, you can go to "File" -> "Properties" -> "Security" to set a password to restrict access or editing capabilities. Are there any free alternatives to Adobe Acrobat for working with PDFs? Yes, there are many free alternatives for working with PDFs, such as: LibreOffice: Offers PDF editing features. PDFsam: Allows splitting,

merging, and editing PDFs. Foxit Reader: Provides basic PDF viewing and editing capabilities. How do I compress a PDF file? You can use online tools like Smallpdf, ILovePDF, or desktop software like Adobe Acrobat to compress PDF files without significant quality loss. Compression reduces the file size, making it easier to share and download. Can I fill out forms in a PDF file? Yes, most PDF viewers/editors like Adobe Acrobat, Preview (on Mac), or various online tools allow you to fill out forms in PDF files by selecting text fields and entering information. Are there any restrictions when working with PDFs? Some PDFs might have restrictions set by their creator, such as password protection, editing restrictions, or print restrictions. Breaking these restrictions might require specific software or tools, which may or may not be legal depending on the circumstances and local laws.

### **Find Allison Transmission Wiring Schematic :**

**jerusalem biography simon sebg montefiore**  
iso 7010 2011 graphical symbols safety colours and  
*james k peckol embedded systems*  
*iveco trakker 420*

**iptv and internet video expanding the reach of television broadcasting nab executive technology briefings 2nd edition by simpson wes greenfield howard 2009 paperback**

**iso 13485 documents with manual procedures audit checklist**

**investment analysis and portfolio management with thomson one business school edition and stock trak coupon**  
ipl 2018 5 players who made their mark in the bangladesh

**introduction to vhdl**

*iso ts 22002 1 dqs russia*

*introduction to renewable energy by vaughn c nelson*

**introduction to the numerical solution of markov chains**

*jis standard b 7533*

irregular past tense verbs lanternfish esl

*isbn 978 1 4051 1848 4 paperback reviewed by*

### **Allison Transmission Wiring Schematic :**

**world geography 8th edition solutions and answers quizlet - Jun 05 2023**

web now with expert verified solutions from world geography 8th edition you ll learn how to solve your toughest homework problems our resource for world geography includes

*world geography quiz questions and answers examsbook* - Feb 18 2022

web jan 31 2020 looking for answers for your child s geography homework or simply looking for material to brush up your child s general knowledge on world geography look no

**holt world geography today chapter and unit tests with** - Apr 03 2023

web jan 31 2023 created by karim maktabi added new book holt world geography today chapter and unit tests with answer key by holt rinehart and winston 2004 holt

**world geography study quizzes questions answers** - May 24 2022

web oct 28 2021 test your knowledge with these world geography trivia questions and answers we ve included some easy and hard questions for you geography trivia and

**world geography 1st edition solutions and answers quizlet** - May 04 2023

web exercise 1 exercise 2 exercise 3 exercise 4 chapter 2 a living planet section 2 1 the earth inside and out section 2 2 bodies of water and landforms section 2 3 internal

world geography general knowledge questions test 4 exams - Aug 27 2022

web aug 4 2023 101 of the most interesting us world geography trivia questions with answers test your knowledge on the world s capitals continents oceans cities seas

*holt world geography today critical thinking activities with* - Oct 29 2022

web in this section you will find many basic types of world geography questions and answers practice these questions and answers that will help you crack any competitive exam like

**45 general knowledge questions on world geography for kids** - Dec 19 2021

*101 geography trivia questions and answers parade* - Jun 24 2022

web student text teacher s ed chapter and unit test with answer key daily quizzes with answer key chapter and united tests for english lanuage learners and special needs

geography worldle country answer today 658 fortnite insider - Sep 08 2023

web 1 day ago here is the answer for the 658 worldle country today released on november 10th 2023 and some hints to help you solve it worldle is another wordle inspired

**geography worldle country answer today 657 fortnite insider** - Jul 06 2023

web 2 days ago here is the answer for the 657 worldle country today released on november 9th 2023 and some hints to help

you solve it worldle is another wordle inspired game

**60 fun world geography trivia questions 2023** - Nov 29 2022

web teacher resource books challenge enrichment activities with answer key chapter and unit tests with answer key the complete school atlas rev ed creative teaching

*today s geography worldle country answer 93* - Mar 02 2023

web apr 20 2022 here are some hints and the answer for worldle 90 today released on april 21st 2022 update click here for the hints and the answer to worldle 91 worldle is

**world geography today 1st edition solutions and answers** - Oct 09 2023

web now with expert verified solutions from world geography today 1st edition you ll learn how to solve your toughest homework problems our resource for world geography

**today s geography worldle country answer 76 fortnite insider** - Dec 31 2022

web jan 31 2023 holt world geography today critical thinking activities with answer key by holt rinehart and winston 2004 holt rinehart and winston edition paperback holt

**world geography today google books** - Apr 22 2022

web in our blog world geography quiz questions and answers you will find a wide range of geography related quiz questions and their answers we cover diverse topics including

*today s geography worldle country answer 90 map game* - Feb 01 2023

web apr 7 2022 here is what the country territory looks like for the worldle 76 puzzle today here are the clues we have for the worldle today april 7th 2022 hint 1 this is a

**here is today s worldle answer 6 november gamespew** - Aug 07 2023

web nov 6 2023 gamespew team 8 november 2023 are you struggling to guess the answer to today s worldle 8 november don t worry we re here to help you worldle isn t a

**world geography trivia quiz free geography quiz with answers** - Jul 26 2022

web mar 22 2023 so whether you re seeking to improve your geographic literacy explore new destinations or deepen your understanding of global issues our world geography

*90 geography trivia questions answers thought catalog* - Mar 22 2022

web jun 11 2021 let s solve these world geography quiz questions and answers in order to learn something full of plenty of hilarious moments world geography quiz questions

**world geography today teacher s resources archive org** - Sep 27 2022

web mar 29 2023 question 1 what is the capital of france a madrid b paris c athens d moscow 1 b question 2 what is the

world s highest mountain a mount kilimanjaro b

**100 world geography quiz questions and answers gk trivia** - Jan 20 2022

**toyota club net dtc 2kd ftv** - Jul 04 2023

web 2kd ftv engine control system oxygen a f sensor heater control circuit low bank 1 sensor 1 oxygen a f sensor heater control circuit high bank 1 sensor 1 turbocharger supercharger boost control solenoid circuit range performance

*vigo d4d 1kd 2kd normal data reading maximum sensor limit* - Feb 16 2022

web sep 27 2023 d4d 1kd 2kd engine sensor normal reading how to check 1kd 2kd diesel injector good or bad how to know normal pressure of diesel pump 1kd2kd deselpumpchecking mapsensorreadingatidle

toyota d 4d 1kd ftv 2 5l 2kd ftv 3 0l engine technical youtube - May 02 2023

web apr 7 2019 toyota d 4d 1kd ftv 2 5l 2kd ftv 3 0l engine technical education

*2kd ftv toyota engine australian car reviews* - Aug 25 2022

web the 2kd ftv engine was produced in standard and more powerful high version forms the high version 2kd ftv was distinguished by its 260 nm torque output compared to 200 nm for the standard 2kd ftv tumble control valves and intercooler 2kd ftv toyota engine launch outputs

**throttle pedal position sensors with engine code 2kd stock** - Apr 20 2022

web used throttle pedal position sensor toyota hi lux iv 2 5 d4 d 16v 4x4 year of construction 2007 type of engine diesel turbo engine capacity 2500 cc engine code 2kdf tv part number 781200k010 particularity 78120 0k010

**control engine 1kd ftv and 2kd ftd pdf throttle scribd** - Feb 28 2023

web 1 general the engine control system of the 1kd ftv and 2kd ftv engines has the following system 2kd ftv 1kd ftv 2kd ftv high version system outline fuel injection volume control see page eg 156 based on the signals received from the sensors the engine ecu determines the fuel injection volume in accordance with the

**toyota 2kd engine contrl pdf throttle fuel injection scribd** - Aug 05 2023

web control determines the fuel pressure via scv suction control valve in see page eg 160 accordance with the engine condition pilot injection based on the signals received from the sensors the engine ecu control determines pilot injection volume timing and interval between pilot

47 hilux cont next page toyota tech eu - Dec 29 2022

web engine control 1kd ftv w dpf 2kd ftv vn turbocharger w dpf igsw 24 v b o check engine v gind y r b b o r b c25 c c26 d accelerator position sensor vcpa vpa epa vcp2 epa2vpa2 t11 engine control 1kd ftv w dpf 2kd ftv vn turbocharger w dpf turbocharger variable nozzle sensor hsw l w e2s p l 8t

**pdf control engine 1kd ftv and 2kd ftd dokumen tips** - Oct 27 2022

web egr valve position sensor 2kd ftv engine contact type 1 this sensor detects the actual amount of the egr valve opening scv suction control valve linear solenoid valve 1 the scv position is controlled by the signals from the ecu and a fuel volume that suits the scv position is drawn into the pumping portion plunger portion injector

**1kd ftv and 2kd ftv engines pdf throttle fuel injection** - Nov 27 2022

web d 2kd ftv system outline 1kd ftv d 2kd ftv high version fuel injection based on the signals received from the sensors the engine ecu volume control determines the fuel injection volume in accordance with the engine f f see page eg 156 condition

**toyota 2kd ftv engine specs** - Oct 07 2023

web toyota 2kd ftv the toyota 2kd ftv is a 2 5 l 2 494 cc 152 2 cu in four cylinders four stroke cycle water cooled turbocharged internal combustion diesel engine from the toyota kd family manufactured by the toyota motor corporation from 2001

*toyota 2kd engine losing power diagnosing and fixing* - Mar 20 2022

web aug 11 2023 the toyota 2kd engine may lose power for several reasons including clogged air filter defective maf sensors faulty fuel injectors or pump comparison specifications

**2kd ftv engine mechanical torque specifications part scribd** - Jan 30 2023

web 2kd ftv engine mechanical torque specifications part tightened n m kgf cm ft lbf engine mounting bracket rh x cylinder block 68 694 50 engine mounting bracket lh x cylinder block 68 694 50 engine coolant temperature sensor x cylinder head 20 204 15 camshaft position sensor x timing gear case 8 5 87 75 in lbf crankshaft

loss of power on a toyota 2kd engine diagnostics and repair - Sep 25 2022

web jul 18 2008 a toyota 2kd engine can lose power for several reasons including a clogged air filter faulty maf sensors

toyota 1kd 2kd engine common rail system crs service engine - Jun 03 2023

web the construction operation and control of main crs components supply pump injectors rail are identical to the components described in the previously issued common rail system for toyota hilux kijang innova innova 1kd 2kd doc id 00400077 primary changes and additions are listed below

**toyota kd engine wikipedia** - Apr 01 2023

web this generation of 2kd ftv engine produces 88 kw 118 hp 120 ps at 3600 rpm and the maximum torque is 325 n m 240 lb ft 33 kg m at 2000 rpm this engine is used in the toyota hilux toyota fortuner toyota innova and toyota hiace

*toyota 2kd ftv engine 2 5 d 4d specs problems reliability* - Sep 06 2023

web toyota s 2kd ftv engine also known as 2 5 d 4d is a 2 5 liter inline four cylinder turbo diesel engine the engine has been produced since 2001 at a japanese toyota s plant and is installed in the toyota fortuner and 4runner

[2kd ftv engine mechanical torque specifications - Jul 24 2022](#)

web 2kd ftv engine mechanical torque specifications 2kd ftv engine mechanical torque specifications part tightened n m kgf cm ft lbf engine mounting bracket rh x cylinder block engine oil level sensor x oil pan 8 0 82 71 in lbf thrust washer x cylinder block 13 133 10 idle gear thrust plate x idle gear shaft

**toyota kd engine guide 1kd and 2kd problems specs - Jun 22 2022**

web mar 12 2022 by joe edwards published on march 12 2022 updated on june 3 2023 the kd engines are a diesel series first introduced by toyota in 2000 the first generation of the toyota kd engine known as the 1kd ftv 3 0l was seen in july of 2000 and first used in the japanese market s toyota land cruiser prado

**engine 1kd 2kd pdf internal combustion engine - May 22 2022**

web injector edu crankshaft position sensor turbo pressure sensor atmospheric temp sensor water temp sensor target angle engine ecu control status turbo motor driver control nozzle vane position atmospheric pressure sensor dc motor nozzle vane position sensor intake and exhaust system model outline kd series engine

**s4s series klassen engine pdf copy digitalworkgroup skidmore - Feb 10 2023**

web title s4s series klassen engine pdf copy digitalworkgroup skidmore edu created date 9 4 2023 6 05 39 am

**pdf s4s series klassen engine reading free - Apr 12 2023**

web aug 22 2023 pdf s4s series klassen engine reading free configuration selection and technology transition in 5000 hp class engines cases in operations evolution of the small gas turbine engine through its comprehensive study of a major aerospace industry drawing on in depth interviews with pioneers current project engineers and company

*s4s series klassen engine help discoveram - Oct 06 2022*

web may 17 2023 s4s series klassen engine s4s series klassen engine eries 42 to 83 hp mitsubishi engine north america inc mitsubishi s4s s6s engine workshop maintenance service mitsubishi s4s det mitsubishi diesel equipment trading mitsubishi s4s service manual pdf download engine series inquiry mitsubishi turbocharger and

[s4s series klassen engine jetpack theaoi - Jan 29 2022](#)

web s4s series klassen engine s4s series klassen engine mitsubishi s4s for sale tradetrucks com au mitsubishi s4s service manual pdf download spare parts catalogue and manual for engine misubishi mitsubishi s4s s6s diesel engine service repair manual s4s mack boring amp parts company s4s series klassen engine a

[2014 mercedes s class yapımı İzlesene com - Aug 04 2022](#)

web feb 6 2014 2014 mercedes s class yapımı mercedes fabrikasında çekilen s serisinin yapımını izleyin

**mitsubishi s4s specifications technical data 2017 2023 - Jul 15 2023**

web see detailed specifications and technical data for mitsubishi engines manufactured in 2017 2023 get more in depth

insight with mitsubishi s4s specifications on lectura specs

**s4s series klassen engine pdf pdf voto unéal edu** - Jan 09 2023

web s4s series klassen engine pdf upload betty v grant 1 30 downloaded from voto unéal edu br on august 15 2023 by betty v grant s4s series klassen engine pdf s4s series klassen engine pdf whispering the secrets of language an mental quest through s4s series klassen engine pdf in a digitally driven world where screens reign

s4s series klassen engine eventos parquesreunidos com - Dec 28 2021

web s4s series klassen engine downloaded from eventos parquesreunidos com by guest sawyer murray decision making in manufacturing environment using graph theory and fuzzy multiple attribute decision making methods oxford university press optimization models play an increasingly important role in financial decisions this is the first

*s4s series klassen engine uniport edu ng* - Nov 07 2022

web apr 5 2023 s4s series klassen engine 1 9 downloaded from uniport edu ng on april 5 2023 by guest s4s series klassen engine thank you very much for downloading s4s series klassen engine maybe you have knowledge that people have search hundreds times for their favorite books like this s4s series klassen engine but end up in

s4s series klassen engine uniport edu ng - Mar 31 2022

web apr 22 2023 s4s series klassen engine 2 8 downloaded from uniport edu ng on april 22 2023 by guest intervention reviews written in a clear and accessible format it is the essential manual for all those preparing maintaining and reading cochrane reviews many of the principles and methods described here are appropriate for

*s4s series klassen engine uniport edu ng* - May 01 2022

web apr 1 2023 s4s series klassen engine 2 10 downloaded from uniport edu ng on april 1 2023 by guest practitioners and researchers to highlight the latest thinking on systematic searching beginning by looking at the methods and techniques underlying systematic searching the book then examines the current challenges and the

*s4s series klassen engine home rightster com* - May 13 2023

web s4s series klassen engine s4s series klassen engine mitsubishi diesel engine s4s dt cylinder block find a mitsubishi s4s service manual pdf download mitsubishi s4s s6s diesel engine service manual spare parts catalogue and manual for engine misubishi s4s series klassen engine goyaem de compact diesel engines 7 4 up

*s4s series klassen engine speakings gestamp* - Feb 27 2022

web jun 3 2023 s4s dt model ss series turbocharged mitsubishi mitsubishi s4s engine ebay s4s series klassen engine hspace de s4s series klassen engine yoomai de motor s6s misutbushit pdf internal combustion engine mitsubishi s4 s s6s diesel engine service repair workshop mitsubishi s4s engine parts forklift parts

**s4s series klassen engine media joomlashine com** - Mar 11 2023

web s4s series klassen engine kasupg de april 19th 2018 the s4s series klassen engine from the best author and publisher is now available here this is the book that will make your day reading becomes completed s4s series klassen engine a 1autobody com may 6th 2018 s4s series klassen engine s4s series klassen engine in this site is not [s4s series klassen engine uniport edu ng](#) - Jun 02 2022

web s4s series klassen engine 2 10 downloaded from uniport edu ng on august 25 2023 by guest book shows that there is unlikely to be a single path from novice to expert and that the structure of the final product the program may not constrain the process by which it comes into being as much as some would advocate

**s4s series klassen diesel** - Aug 16 2023

web s4s s4s dt naturally aspirated turbocharged cylinder arrangement bore x stroke mm engine configuration total displacement liters combustion system swirl chamber idi direct injection dry weight kg lbs 245 540 250 551 starting system fuel oil continuous 1500 rpm 29 4 39 5 36 8 49 3 power rating 1800 rpm 34 9 47 0 41 5 55 6

*s4s series klassen engine uniport edu ng* - Dec 08 2022

web apr 22 2023 s4s series klassen engine 1 7 downloaded from uniport edu ng on april 22 2023 by guest s4s series klassen engine this is likewise one of the factors by obtaining the soft documents of this s4s series klassen engine by online you might not require more times to spend to go to the ebook instigation as capably as search for them in some cases

**s4s series klassen engine avantevapehouse com** - Jul 03 2022

web aug 1 2023 s4s series klassen engine s4s series klassen engine 3 downloaded from avantevapehouse com on 2021 07 20 by guest is a much sought commodity in the increasingly portable ever more wireless world of electronics powering laptops handhelds cell phones pagers watches medical devices and many other modern necessities

**toyota 4s engine specs features tuning engine oil** - Sep 05 2022

web may 28 2015 toyota 4s engine modifications features and differences 1 4s fi 1987 1991 is the first type of the engine with a single point injection the compression ratio equals 9 3 power is 105 hp at 5 600 rpm and torque is 149 nm 110 lb ft at 2 800 rpm 2 4s fe gen 1 1989 1999 is the second type of the engine with a multi point

*item s4s dt model ss series turbocharged mitsubishi diesel engine* - Jun 14 2023

web browse item s4s dt model ss series turbocharged mitsubishi diesel engine in the central diesel inc catalog including item item name description brand engine cycle cooling system engine type bore stroke cylinders cylinder arrangement total di