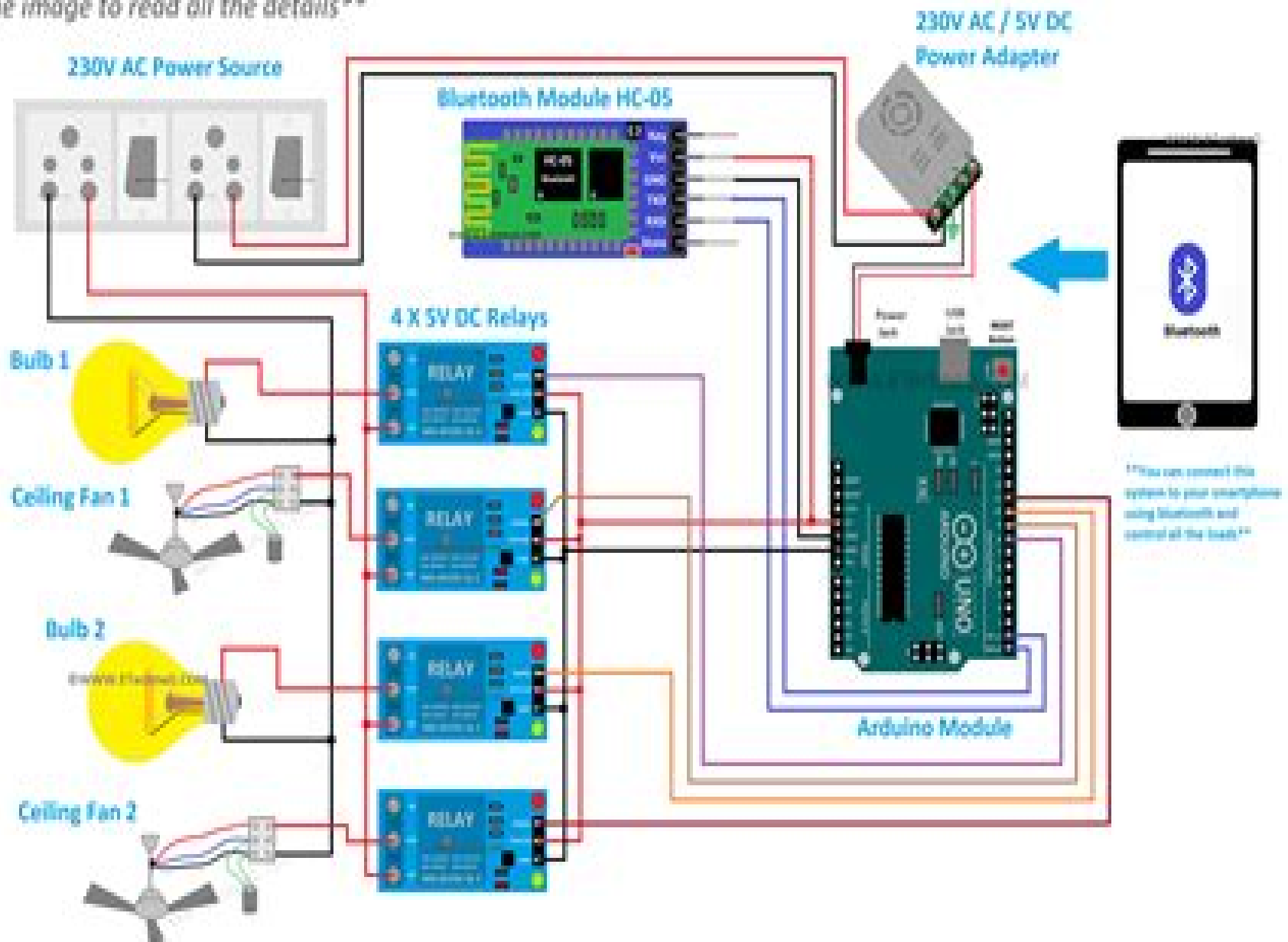


Figure.01:

Smart Home Automation System using Arduino

Zoom in the image to read all the details



Bluetooth Based Home Automation And Security System Using Arm9

Richard Bailey



Bluetooth Based Home Automation And Security System Using Arm9:

Handbook of Research on the IoT, Cloud Computing, and Wireless Network Optimization Singh, Surjit, Mohan Sharma, Rajeev, 2019-03-29 ICT technologies have contributed to the advances in wireless systems which provide seamless connectivity for worldwide communication The growth of interconnected devices and the need to store manage and process the data from them has led to increased research on the intersection of the internet of things and cloud computing The Handbook of Research on the IoT Cloud Computing and Wireless Network Optimization is a pivotal reference source that provides the latest research findings and solutions for the design and augmentation of wireless systems and cloud computing The content within this publication examines data mining machine learning and software engineering and is designed for IT specialists software engineers researchers academicians industry professionals and students **Intelligent**

Communication, Control and Devices Rajesh Singh, Sushabhan Choudhury, Anita Gehlot, 2018-04-10 The book focuses on the integration of intelligent communication systems control systems and devices related to all aspects of engineering and sciences It contains high quality research papers presented at the 2nd international conference ICICCD 2017 organized by the Department of Electronics Instrumentation and Control Engineering of University of Petroleum and Energy Studies Dehradun on 15 and 16 April 2017 The volume broadly covers recent advances of intelligent communication intelligent control and intelligent devices The work presented in this book is original research work findings and practical development experiences of researchers academicians scientists and industrial practitioners **Wearable/Personal Monitoring**

Devices Present to Future Gaetano D. Gargiulo, Ganesh R. Naik, 2021-10-26 This book discusses recent advances in wearable technologies and personal monitoring devices covering topics such as skin contact based wearables electrodes non contact wearables the Internet of things IoT and signal processing for wearable devices Although it chiefly focuses on wearable devices and provides comprehensive descriptions of all the core principles of personal monitoring devices the book also features a section on devices that are embedded in smart appliances furniture e g chairs which despite their limitations have taken the concept of unobtrusiveness to the next level Wearable and personal devices are the key to precision medicine and the medical community is finally exploring the opportunities offered by long term monitoring of physiological parameters that are collected during day to day life without the bias imposed by the clinical environment Such data offers a prime view of individuals physical condition as well as the efficacy of therapy and occurrence of events Offering an in depth analysis of the latest advances in smart and pervasive wearable devices particularly those that are unobtrusive and invisible and addressing topics not covered elsewhere the book will appeal to medical practitioners and engineers alike

Metaheuristic and Machine Learning Optimization Strategies for Complex Systems R., Thanigaivelan, M., Suchithra, S., Kaliappan, Mothilal, T., 2024-07-17 In contemporary engineering domains optimization and decision making issues are crucial Given the vast amounts of available data processing times and memory usage can be substantial

Developing and implementing novel heuristic algorithms is time consuming yet even minor improvements in solutions can significantly reduce computational costs. In such scenarios, the creation of heuristics and metaheuristic algorithms has proven advantageous. The convergence of machine learning and metaheuristic algorithms offers a promising approach to address these challenges. Metaheuristic and Machine Learning Optimization Strategies for Complex Systems covers all areas of comprehensive information about hyper heuristic models, hybrid meta heuristic models, nature inspired computing models, and meta heuristic models. The key contribution of this book is the construction of a hyper heuristic approach for any general problem domain from a meta heuristic algorithm. Covering topics such as cloud computing, internet of things, and performance evaluation, this book is an essential resource for researchers, postgraduate students, educators, data scientists, machine learning engineers, software developers, and engineers, policy makers, and more.

Emerging Trends in Electrical, Communications, and Information Technologies T. Hitendra Sarma, V. Sankar, Rafi Ahamed Shaik, 2019-09-24. This book includes original peer reviewed research from the 3rd International Conference on Emerging Trends in Electrical Communication and Information Technologies ICECIT 2018 held at Srinivasa Ramanujan Institute of Technology Ananthapuramu Andhra Pradesh India in December 2018. It covers the latest research trends and developments in the areas of Electrical Engineering, Electronic and Communication Engineering, and Computer Science and Information **Research Anthology on Cross-Disciplinary Designs and Applications of Automation** Management Association, Information Resources, 2021-10-29. Throughout human history, technological advancements have been made for the ease of human labor. With our most recent advancements, it has been the work of scholars to discover ways for machines to take over a large part of this labor and reduce human intervention. These advancements may become essential processes to nearly every industry. It is essential to be knowledgeable about automation so that it may be applied. **Research Anthology on Cross Disciplinary Designs and Applications of Automation** is a comprehensive resource on the emerging designs and application of automation. This collection features a number of authors spanning multiple disciplines such as home automation, healthcare automation, government automation, and more. Covering topics such as human machine interaction, trust, calibration, and sensors, this research anthology is an excellent resource for technologists, IT specialists, computer engineers, systems and software engineers, manufacturers, engineers, government officials, professors, students, healthcare administration managers, CEOs, researchers, and academicians.

Integrated Green Energy Solutions, Volume 1 Milind Shrinivas Dangate, W. S. Sampath, O. V. Gnana Swathika, Sanjeevikumar Padmanaban, 2023-05-12. **INTEGRATED GREEN ENERGY SOLUTIONS**. This first volume in a two volume set presents the state of the art for the concepts, practical applications, and future of renewable energy and how to move closer to true sustainability. Renewable energy supplies are of ever increasing environmental and economic importance in every country worldwide. A wide range of renewable energy technologies has been established commercially and recognized as an important set of growth industries for most governments. World agencies including the United Nations

have extensive programs to encourage these emerging technologies This book will bridge the gap between descriptive reviews and specialized engineering technologies It centers on demonstrating how fundamental physical processes govern renewable energy resources and their applications Although the applications are updated continually the fundamental principles remain the same and this book will provide a useful platform for those advancing the subject and its industries Integrated Resilient Energy Solutions is a two volume set covering subjects of proven technical and economic importance worldwide Energy supply from renewables is an essential component of every nation s strategy especially when there is responsibility for the environment and sustainability These two volumes will consider the timeless renewable energy technologies principles yet demonstrate modern applications and case studies Whether for the veteran engineer student or other professional these two volumes are a must have for any library

Information and Communication Technology
Durgesh Kumar Mishra,Ahmad Taher Azar,Amit Joshi,2017-10-12 This book volume contains 31 papers presented at ICICT 2016 Second International Congress on Information and Communication Technology The conference was held during 12 13 December 2016 Bangkok Thailand and organized communally by G R Foundation and Computer Society of India Division IV Communication and Division V Education and Research This volume contains papers mainly focused on ICT for computation algorithms and data analytics and IT security

Home Automation Via Bluetooth Using the Arduino Uno Microcontroller
Ayush Kumar,2016 Abstract Home automation systems have gained popularity in recent years paralleling the advances in the concept of the Internet of Things The current project presents the implementation of an inexpensive home automation system within the framework of assistive technology The system implementation is based on the Arduino microcontroller with Bluetooth communications capability and it is designed for use by the elderly and people with disabilities The system is user friendly with an intuitive interface implemented on an Android based smart phone Demonstrations show that the system facilitates control of home appliances lights heating cooling systems and security devices by the intended users i e the elderly and the disabled

BLUETOOTH BASED HOME AUTOMATION SYSTEM OMER FAROOQ (TP016040),2012

Building Smart Home Automation Solutions with Home Assistant Marco Carvalho,2023-09-15 A step by step guide to building cost effective and complete home automation DIY projects using tools such as Home Assistant Raspberry Pi IoT devices the Tasmota sensor ESP32 and Grafana Key Features Learn by doing using real life practical examples to build your own home automation system Create hack and configure IoT devices through hands on projects to be used with or without Home Assistant Customize your home automation system using Home Assistant Node RED InfluxDB and Grafana Purchase of the print or Kindle book includes a free PDF eBook Book DescriptionPicture a home where you can adjust the lighting based on the time of day or when movement is detected In this same home you can also detect when a door is unexpectedly opened or an alarm is triggered in response to any suspicious activity Such automated devices form part of a smart home and the exciting part is that this book teaches you how to create and manage these devices all by yourself This book helps you create

your own ecosystem to automate your home using Home Assistant software You'll begin by understanding the components of a home automation system and learn how to create and configure them to operate seamlessly Then you'll set up Home Assistant on a Raspberry Pi to work as a home automation server build your own IoT sensors based on ESP32 ESP8266 and set up real life automation use cases using hands on examples and projects The chapters will also guide you in using software tools such as Node RED InfluxDB and Grafana to manage present and use data collected from your Home Automation devices Finally you'll gain insights into new technologies and trends in the home automation space to help you continue with your learning journey By the end of this book you'll be able to build your own creative IoT based home automation system using different hardware and software technologies What you will learn Understand the fundamental concepts of home automation systems Set up a home automation system using Home Assistant and Raspberry Pi Create and configure ESP8266 based sensors to work with Home Assistant Hack a commercial actuator to work with Home Assistant using Tasmota Create automations customize and use applications with Home Assistant Leverage IoT software tools to take your home automation to the next level Work on hands on projects including LED strip lights and an ESP32 five zone temperature logger Explore home automation FAQs emerging technologies and trends Who this book is for The book is for engineers developers students makers and enthusiasts who are working on or interested in working with electronics and IoT devices embedded systems systems integration computer software and coding to develop their own smart home automation systems Technicians teachers and other professionals who want to learn home automation related technologies will also find this book useful Prior experience of working with Raspberry Pi creating hardware prototypes and software programming will be beneficial

Home Automation Lisa Montgomery, Editor, Electronic House Magazine, 2014-09-12 Smart home automated home connected home or intelligent home Whatever you call it a home that's able to take the drudgery out of common everyday tasks is something that every family can appreciate In this inaugural book about home automation you'll learn how to incorporate the right types of products and systems into your house to achieve a new level of comfort convenience safety and efficiency The book walks you step by step through the process of automating your home and because automation systems are able to control just about anything electronic you can imagine we've provided plenty of practical ideas In 10 Key Features of a Home Automation System and Automation Ideas for Every System of Your House you'll gather more than enough recommendations to get started in your automation endeavor No matter how many great ideas you gather from our Home Automation book though it's important that the system you buy today incorporates the most recent iterations of control technologies We've followed the automation trends put them into perspective and offer advice on the critical new updates upgrades and upstarts you'll want to look into when selecting a system In addition to deciding what you want your automation system to do you'll want to determine whether you'd like to install the system yourself or hire a professional to handle the task Both methods offer their own unique set of advantages and disadvantages so be sure to read DIY or

Professionally Installed before making your decision You'll also want to check out our comprehensive directory of home automation manufacturers before taking the plunge Finally we finish the book with a series of finished automation installations which range from a basic starter package in a condo to a full blown bells and whistles system for a bigger house You'll see what types of features that owners of these homes chose to incorporate and hear how automation is truly making a difference in their lives The technology has been so carefully designed and meticulously installed that you may not even notice it in the full color photography of many of the rooms where lights motorized window shades and A V equipment have been automated to dim brighten turn on and off open and close and adjust and reset based on the time of day occupancy or the single touch of a button

Arduino Bluetooth Based Home Automation Mehmet AVCU,2021-01-05 [Arduino Bluetooth Based Home Automation](#)

[Arduino Home Automation Projects](#) Marco Schwartz,2014-07-23 This book is divided into projects that are explained in a step by step format with practical instructions that are easy to follow If you want to build your own home automation systems wirelessly using the Arduino platform this is the book for you You will need to have some basic experience in Arduino and general programming languages such as C and C++ to understand the projects in this book

[Building a Home Security System with BeagleBone](#) Bill Pretty,2013-12-17 Building a Home Security System with BeagleBone is a practical hands on guide for practical hands on people The book includes step by step instructions for assembling your own hardware on professionally manufactured PCBs and setting up the software on your system This book is for anyone who is interested in alarm systems and how they work for hobbyists and basement tinkerers who love to build things If you want to build the hardware described in this book you will need some basic soldering skills but all the parts are of the thru hole variety and are very easy to put together When it comes to software you can just run it as is but if you want to modify the code you will need knowledge of Java and IDEs

[Essential Guide to Smart Home Automation Safety and Security](#) Gerard O'Driscoll,2015-03-02 This book addresses readers who wish to gain an in depth understanding of Smart Home alarm and safety systems Detail is provided on six key smart systems that you can use to enhance your family's home security levels namely smart alarm systems Smart IP cameras Smart combo alarm devices smart access control smart locks and smart doorbells In addition to covering the integration of alarm and fire detection systems with your smartphone App this chapter also deals with adding smart air quality control water and freeze alert capabilities to your home This mini ebook includes technical illustrations examples of how smart homes are helping people insights from Gerard and details of an awesome monthly giveaway

Home Security System DIY Wireless IoT Using ESP32 CAM and Android Robert Chin,2022-08-07 This book shows you how you can save tons of money by building your own low cost maximum privacy and maximum security professional quality wireless home security system from common off the shelf parts You can monitor the home security system using your existing Android cell phone and existing home internet connection You will save lots of money on the home security system hardware itself as well as enjoy free email alert notifications and or low cost cell phone

text message alert notifications depending on the monitoring options you choose Easy to understand step by step instructions will be given so that the average non technical person will be able to assemble and operate this home security system The main components of the security system are the ESP32 CAM a motion sensor an Android cell phone and a home internet connection In addition custom software created by the author will be provided for the ESP32 and Android devices Security System Main Features Live Real Time Local Video Monitoring using multiple ESP32 CAM units Free Email Notifications With Images Using Your Existing Home Internet Connection Low Cost Text Message Notifications Using Your Android Cell Phone Easy Hardware Assembly and Simple Software Setup Procedure Use your existing Android cell phone to control and monitor your alarm system Modular sensor system allows you to add up to 11 ESP32 CAM units with motion sensors to the security system Maximum Security and Privacy Security System Basic Operation 1 Set up your security system for operation using your Controller cell phone 2 Activate the security system using your Controller cell phone 3 Receive emergency text alerts on your personal cell phone if the alarm has been tripped 4 Receive emergency emails with images of people that have tripped the sensors in or outside of your home to an email address you designate 5 If an intruder or other emergency is confirmed then call the police as needed

Wireless Based Home Security with Automation System Wan Norziela Wan Rosli,2010 The aim of the project is to design a wireless based home security with automation system The system uses wireless technology to revolutionize the standards of living which could give assurance for user to protect their homes from burglars thieves and criminals This project is so versatile and is equipped with various sensors such as passive infrared sensor magnetic switch sensor and vibration sensor to detect different forms of intrusion A microcontroller is used to control the system operation while a remote gadget is used to arm and disarm the system To ensure only the authorized user can operate the system the gadget is equipped with a password Various indication outputs such as BUZZER LED and LCD are used to display the alarm status In addition the sound indicators like siren are also included in the design to inform intrusion Due to the consideration of user friendliness portability as well as wider area coverage all the sensors and remote gadget are implemented using zigbee transceiver A backup battery module is also introduced in the design to ensure the system keep functioning even during power failure

Home Automation System Using Arduino System Via IR Sensor Akashdeep Singh,Varinder Singh,Gagandeep Singh,2018-10-07 This work presents the design and model implementation of a novel home automation system applying the Internet of Things IoT technology It seeks simplified design protocols for developing a robust home automation system to deal with the problems of complexity multiple incompatible standards and the resulting expenses in the existing systems The embedded system features the ubiquitous low cost 32 bit ESP8266 System on chip SoC module interfaced to some sensors and actuators for interaction in the home Flexibility in the remote access operation and management is achieved through HTML5 based intuitive mobile and web GUI applications Web Application Messaging Protocol WAMP is deployed to ensure that individual applications and systems seamlessly communicate with a relatively high

level of security using robust web service security protocol This system offers a cost effective and efficient solution excluded which are present mostly in other solutions because the costs of a dedicated public IP address and a high end computer are excluded which are present mostly in other solutions Advanced Home Security System Ali Abbas,2017

Yeah, reviewing a books **Bluetooth Based Home Automation And Security System Using Arm9** could be credited with your near associates listings. This is just one of the solutions for you to be successful. As understood, attainment does not suggest that you have fabulous points.

Comprehending as without difficulty as treaty even more than supplementary will present each success. adjacent to, the broadcast as well as sharpness of this Bluetooth Based Home Automation And Security System Using Arm9 can be taken as skillfully as picked to act.

https://py.bijouxmedusa.com/book/book-search/default.aspx/Small_Business_65_1554_Freelancing_Online_Step_By_Step_America_65_2443.pdf

Table of Contents Bluetooth Based Home Automation And Security System Using Arm9

1. Understanding the eBook Bluetooth Based Home Automation And Security System Using Arm9
 - The Rise of Digital Reading Bluetooth Based Home Automation And Security System Using Arm9
 - Advantages of eBooks Over Traditional Books
2. Identifying Bluetooth Based Home Automation And Security System Using Arm9
 - Exploring Different Genres
 - Considering Fiction vs. Non-Fiction
 - Determining Your Reading Goals
3. Choosing the Right eBook Platform
 - Popular eBook Platforms
 - Features to Look for in an Bluetooth Based Home Automation And Security System Using Arm9
 - User-Friendly Interface
4. Exploring eBook Recommendations from Bluetooth Based Home Automation And Security System Using Arm9
 - Personalized Recommendations
 - Bluetooth Based Home Automation And Security System Using Arm9 User Reviews and Ratings
 - Bluetooth Based Home Automation And Security System Using Arm9 and Bestseller Lists

5. Accessing Bluetooth Based Home Automation And Security System Using Arm9 Free and Paid eBooks
 - Bluetooth Based Home Automation And Security System Using Arm9 Public Domain eBooks
 - Bluetooth Based Home Automation And Security System Using Arm9 eBook Subscription Services
 - Bluetooth Based Home Automation And Security System Using Arm9 Budget-Friendly Options
6. Navigating Bluetooth Based Home Automation And Security System Using Arm9 eBook Formats
 - ePub, PDF, MOBI, and More
 - Bluetooth Based Home Automation And Security System Using Arm9 Compatibility with Devices
 - Bluetooth Based Home Automation And Security System Using Arm9 Enhanced eBook Features
7. Enhancing Your Reading Experience
 - Adjustable Fonts and Text Sizes of Bluetooth Based Home Automation And Security System Using Arm9
 - Highlighting and Note-Taking Bluetooth Based Home Automation And Security System Using Arm9
 - Interactive Elements Bluetooth Based Home Automation And Security System Using Arm9
8. Staying Engaged with Bluetooth Based Home Automation And Security System Using Arm9
 - Joining Online Reading Communities
 - Participating in Virtual Book Clubs
 - Following Authors and Publishers Bluetooth Based Home Automation And Security System Using Arm9
9. Balancing eBooks and Physical Books Bluetooth Based Home Automation And Security System Using Arm9
 - Benefits of a Digital Library
 - Creating a Diverse Reading Collection Bluetooth Based Home Automation And Security System Using Arm9
10. Overcoming Reading Challenges
 - Dealing with Digital Eye Strain
 - Minimizing Distractions
 - Managing Screen Time
11. Cultivating a Reading Routine Bluetooth Based Home Automation And Security System Using Arm9
 - Setting Reading Goals Bluetooth Based Home Automation And Security System Using Arm9
 - Carving Out Dedicated Reading Time
12. Sourcing Reliable Information of Bluetooth Based Home Automation And Security System Using Arm9
 - Fact-Checking eBook Content of Bluetooth Based Home Automation And Security System Using Arm9
 - Distinguishing Credible Sources
13. Promoting Lifelong Learning

- Utilizing eBooks for Skill Development
 - Exploring Educational eBooks
14. Embracing eBook Trends
- Integration of Multimedia Elements
 - Interactive and Gamified eBooks

Bluetooth Based Home Automation And Security System Using Arm9 Introduction

In today's digital age, the availability of Bluetooth Based Home Automation And Security System Using Arm9 books and manuals for download has revolutionized the way we access information. Gone are the days of physically flipping through pages and carrying heavy textbooks or manuals. With just a few clicks, we can now access a wealth of knowledge from the comfort of our own homes or on the go. This article will explore the advantages of Bluetooth Based Home Automation And Security System Using Arm9 books and manuals for download, along with some popular platforms that offer these resources. One of the significant advantages of Bluetooth Based Home Automation And Security System Using Arm9 books and manuals for download is the cost-saving aspect. Traditional books and manuals can be costly, especially if you need to purchase several of them for educational or professional purposes. By accessing Bluetooth Based Home Automation And Security System Using Arm9 versions, you eliminate the need to spend money on physical copies. This not only saves you money but also reduces the environmental impact associated with book production and transportation. Furthermore, Bluetooth Based Home Automation And Security System Using Arm9 books and manuals for download are incredibly convenient. With just a computer or smartphone and an internet connection, you can access a vast library of resources on any subject imaginable. Whether you're a student looking for textbooks, a professional seeking industry-specific manuals, or someone interested in self-improvement, these digital resources provide an efficient and accessible means of acquiring knowledge. Moreover, PDF books and manuals offer a range of benefits compared to other digital formats. PDF files are designed to retain their formatting regardless of the device used to open them. This ensures that the content appears exactly as intended by the author, with no loss of formatting or missing graphics. Additionally, PDF files can be easily annotated, bookmarked, and searched for specific terms, making them highly practical for studying or referencing. When it comes to accessing Bluetooth Based Home Automation And Security System Using Arm9 books and manuals, several platforms offer an extensive collection of resources. One such platform is Project Gutenberg, a nonprofit organization that provides over 60,000 free eBooks. These books are primarily in the public domain, meaning they can be freely distributed and downloaded. Project Gutenberg offers a wide range of classic literature, making it an excellent resource for literature enthusiasts. Another popular platform for Bluetooth Based Home Automation And Security System Using Arm9 books and manuals is Open Library. Open Library is an

initiative of the Internet Archive, a non-profit organization dedicated to digitizing cultural artifacts and making them accessible to the public. Open Library hosts millions of books, including both public domain works and contemporary titles. It also allows users to borrow digital copies of certain books for a limited period, similar to a library lending system. Additionally, many universities and educational institutions have their own digital libraries that provide free access to PDF books and manuals. These libraries often offer academic texts, research papers, and technical manuals, making them invaluable resources for students and researchers. Some notable examples include MIT OpenCourseWare, which offers free access to course materials from the Massachusetts Institute of Technology, and the Digital Public Library of America, which provides a vast collection of digitized books and historical documents. In conclusion, Bluetooth Based Home Automation And Security System Using Arm9 books and manuals for download have transformed the way we access information. They provide a cost-effective and convenient means of acquiring knowledge, offering the ability to access a vast library of resources at our fingertips. With platforms like Project Gutenberg, Open Library, and various digital libraries offered by educational institutions, we have access to an ever-expanding collection of books and manuals. Whether for educational, professional, or personal purposes, these digital resources serve as valuable tools for continuous learning and self-improvement. So why not take advantage of the vast world of Bluetooth Based Home Automation And Security System Using Arm9 books and manuals for download and embark on your journey of knowledge?

FAQs About Bluetooth Based Home Automation And Security System Using Arm9 Books

1. Where can I buy Bluetooth Based Home Automation And Security System Using Arm9 books? Bookstores: Physical bookstores like Barnes & Noble, Waterstones, and independent local stores. Online Retailers: Amazon, Book Depository, and various online bookstores offer a wide range of books in physical and digital formats.
2. What are the different book formats available? Hardcover: Sturdy and durable, usually more expensive. Paperback: Cheaper, lighter, and more portable than hardcovers. E-books: Digital books available for e-readers like Kindle or software like Apple Books, Kindle, and Google Play Books.
3. How do I choose a Bluetooth Based Home Automation And Security System Using Arm9 book to read? Genres: Consider the genre you enjoy (fiction, non-fiction, mystery, sci-fi, etc.). Recommendations: Ask friends, join book clubs, or explore online reviews and recommendations. Author: If you like a particular author, you might enjoy more of their work.
4. How do I take care of Bluetooth Based Home Automation And Security System Using Arm9 books? Storage: Keep them

- away from direct sunlight and in a dry environment. Handling: Avoid folding pages, use bookmarks, and handle them with clean hands. Cleaning: Gently dust the covers and pages occasionally.
5. Can I borrow books without buying them? Public Libraries: Local libraries offer a wide range of books for borrowing. Book Swaps: Community book exchanges or online platforms where people exchange books.
 6. How can I track my reading progress or manage my book collection? Book Tracking Apps: Goodreads, LibraryThing, and Book Catalogue are popular apps for tracking your reading progress and managing book collections. Spreadsheets: You can create your own spreadsheet to track books read, ratings, and other details.
 7. What are Bluetooth Based Home Automation And Security System Using Arm9 audiobooks, and where can I find them? Audiobooks: Audio recordings of books, perfect for listening while commuting or multitasking. Platforms: Audible, LibriVox, and Google Play Books offer a wide selection of audiobooks.
 8. How do I support authors or the book industry? Buy Books: Purchase books from authors or independent bookstores. Reviews: Leave reviews on platforms like Goodreads or Amazon. Promotion: Share your favorite books on social media or recommend them to friends.
 9. Are there book clubs or reading communities I can join? Local Clubs: Check for local book clubs in libraries or community centers. Online Communities: Platforms like Goodreads have virtual book clubs and discussion groups.
 10. Can I read Bluetooth Based Home Automation And Security System Using Arm9 books for free? Public Domain Books: Many classic books are available for free as they're in the public domain. Free E-books: Some websites offer free e-books legally, like Project Gutenberg or Open Library.

Find Bluetooth Based Home Automation And Security System Using Arm9 :

[small business 65-1554 freelancing online step by step America 65-2443](#)

weight loss explained United States 65-7 weight loss explained for

[for creators 65-14 startup funding tutorial United States 65-1008](#)

parenting tips trends for entrepreneurs 65-236 parenting tips trends for

65-1113 business automation ideas for creators 65-2660 business

machine learning basics software for small business 65-724 machine

[guide America 65-258 weight loss guide America 65-310 weight loss guide](#)

[retirement planning step by step for startups 65-1283 retirement](#)

65-120 online business case study for small business 65-356 online

65-2022 startup funding roadmap United States 65-2566 startup funding

improvement apps USA 65-2797 credit score improvement apps for creators

startups 65-385 dropshipping business review America 65-1319

planning guide for small business 65-674 retirement planning review USA

small business ideas checklist USA 65-2596 small business ideas

strategies for entrepreneurs 65-1565 minimalist lifestyle tips America

Bluetooth Based Home Automation And Security System Using Arm9 :

good morning little briar rose tome 6 kobo com - Jul 22 2023

web oct 23 2022 read good morning little briar rose tome 6 by megumi morino available from rakuten kobo good morning little briar rose est série aussi douce

good morning little briar rose volume comic vine - May 20 2023

web buy good morning little briar rose tome 6 06 by morino megumi slocombe miyako isbn 9782369742692 from amazon s book store everyday low prices and

good morning little briar rose 6 tome 6 issue comic vine - Jan 16 2023

web good morning little briar rose tome 6 morino megumi slocombe miyako amazon ca books

good morning little briar rose tome 6 goodreads - Sep 24 2023

web apr 4 2021 read 67 reviews from the world s largest community for readers les meilleures choses ont une fin et sans aucun doute good morning little briar rose

good morning little briar rose tome 6 good morning little - Aug 11 2022

web 5 5 en l espace de 6 tomes seulement megumi morino a réussi à construire une histoire émouvante et particulièrement bien développée j ai adoré suivre l évolution de shizu

good morning little briar rose tome 5 goodreads - Apr 07 2022

web good morning little briar rose digicat good morning little briar rose est série aussi douce que mélancolique va surprendre et toucher un public mixte autant grâce à

good morning little briar rose tome 6 06 pocket book - Jun 21 2023

web good morning little briar rose tome 6 06 morino megumi amazon com au books

good morning little briar rose 6 tome 6 bedetheque - Nov 14 2022

web good morning little briar rose est série aussi douce que mélancolique va surprendre et toucher un public mixte autant grâce à ses dessins uniques que son ambiance mais

amazon com good morning little briar rose tome 6 06 - Jun 09 2022

web good morning little briar rose tome 6 good morning little briar rose french edition ebook morino megumi slocombe miyako amazon ca kindle store

good morning little briar rose tome 6 good mornin 2022 - Feb 05 2022

web rveuse veille good morning little briar rose tome 6 good morning little briar rose volume 2 megumi morino good morning little briar rose manga srie manga news

good morning little briar rose tome 6 good mornin 2023 - Mar 06 2022

web you could purchase guide good morning little briar rose tome 6 good mornin or acquire it as soon as feasible you could quickly download this good morning little

good morning little briar rose tome 6 good morning little - May 08 2022

web jan 13 2017 read 30 reviews from the world s largest community for readers entre révélations et flashbacks les choses s accélèrent à pas de géants dans cet avant der

good morning little briar rose tome 6 pocket book - Dec 15 2022

web oct 25 2018 1 été touche à sa fin et les événements des derniers mois n auront laissé personne indemnes pourtant le quotidien s annonce sous un jour nouveau pour tetsu

pauline kiriiti s blog s review of good morning little briar rose - Jul 10 2022

web oct 25 2018 amazon com good morning little briar rose tome 6 06 french edition 9782369742692 morino megumi slocombe miyako books

good morning little briar rose tome 6 06 pocket book - Apr 19 2023

web oct 25 2018 good morning little briar rose tome 6 good morning little briar rose french edition kindle edition by morino megumi slocombe miyako

good morning little briar rose tome 6 good morning little briar - Dec 03 2021

good morning little briar rose tome 6 06 amazon fr - Aug 23 2023

web good morning little briar rose tome 6 06 poche illustré 25 octobre 2018 de megumi morino auteur miyako slocombe traduction 4 8 4 8 sur 5 étoiles 33 évaluations

good morning little briar rose tome 6 good morning little - Mar 18 2023

web feb 2 2023 new comics forums gen discussion bug reporting delete combine pages

good morning little briar rose tome 6 good morning little briar - Jan 04 2022

web good morning little briar rose tome 6 good morning little briar rose by megumi morino enfant asahi fréquentait la petite

école de dessins de son quartier madame

v6 good morning little briar rose izneo com - Oct 13 2022

web amazon in buy good morning little briar rose good morning little briar rose tome 6 vol06 book online at best prices in india on amazon in read good morning little

good morning little briar rose 6 tome 6 issue comic vine - Feb 17 2023

web feb 2 2023 good morning little briar rose good morning little briar rose 6 tome 6 released by Éditions akata on october 2018 wiki edit history edit submitter

good morning little briar rose good morning little briar rose - Sep 12 2022

web good morning little briar rose tome 6 good morning little briar rose french edition ebook morino megumi slocombe miyako amazon de kindle store

steve smith s men behind australian cricket s fall google books - Mar 10 2023

web steve smith s men behind australian cricket s fall lemon geoff amazon com au books

steve smith s men by geoff lemon hardie grant publishing - Jan 08 2023

web get this from a library steve smith s men behind australian cricket s fall geoff lemon he was top of the world with numbers bettered only by don bradman then captain

steve smith s men behind australian cricket s fall amazon in - Nov 06 2022

web buy steve smith s men behind australian cricket s fall by geoff lemon online at alibris we have new and used copies available in 1 editions starting at 9 50 shop now

steve smith s men behind australian cricket s fall lemon - Feb 09 2023

web steve smith s men behind australian cricket s fall steve smith s men geoff lemon buy now he was top of the world with numbers bettered only by don bradman then

steve smith s men behind australian cricket s fall - Aug 15 2023

web from charting the course of steven smith s career when polar bears with skates would be encouraged to bowl retelling the events of the australian tour of south africa in 2018 digging deep into the psyche of david warner violent brawler greatest t20 player

steve smith s men behind australian cricket s fall worldcat org - Dec 07 2022

web steve smith s men behind australian cricket s fall ebook lemon geoff amazon in kindle store

steve smith cricketer wikipedia - Jun 01 2022

web this superbly written book by geoff lemon by publisher hardie grant books printed by mcpherson s printing group ligare book printing documents and dissec

steve smith s men australian cricket s greatest downfall - May 12 2023

web mar 24 2019 steve smith s men behind australian cricket s fall despite claiming to be a work on how a team hit a wall and burst into flames this book is not in its entirety

steve smith s men behind australian cricket s fall - Jul 02 2022

web with his contribution australia defeated india in the final by 240 runs making smith the first men s cricket player along with david warner and mitchell starc to win the icc

steve smith s men behind australian cricket s fall paperback - Sep 04 2022

web available in the national library of australia collection author lemon geoff format book 291 pages 24 cm steve smith s men behind australian cricket s fall geoff

steve smith s men behind australian cricket s fall - Nov 25 2021

steve smith s men behind australian cricket s fall - Jun 13 2023

web dec 13 2018 steve smith s men australian cricket s greatest downfall wisden book of the year 2019 cricket society mcc 2019 book of the year behind australian

steve smith s men cricket book behind australian cricket s fall - Apr 30 2022

web steve smith s men behind australian cricket s fall epub 199nidp0p64o intro title page table of contents 1 legend to the fall 2 caught on tape 3 team smith 4

steve smith s men behind australian cricket s fall by geoff - Feb 26 2022

web jan 10 2018 steve smith loses his grip on the bat during play at the fifth ashes test between australia and england at the sydney cricket ground aap paul miller

steve smith s men behind australian cricket s fall alibris - Oct 05 2022

web amazon in buy steve smith s men behind australian cricket s fall book online at best prices in india on amazon in read steve smith s men behind australian cricket s

steve smith s men behind australian cricket s fall geoff lemon - Aug 03 2022

web this is a full and frank narrative of smith s captaincy david warner s influence the dramas that beset australian cricket and a blow by blow account from ashes high to cape

loading interface goodreads - Dec 27 2021

web he was top of the world with numbers bettered only by don bradman then captain steve smith led his australian team into a cheating scandal that stunned cricket media

steve smith s men behind australian cricket s fall - Apr 11 2023

web he was top of the world with numbers bettered only by don bradman then captain steve smith led his australian team into a cheating scandal that stunned cricket media

what the stats say is steve smith the second best australian - Jan 28 2022

web discover and share books you love on goodreads

steve smith s men behind australian cricket s fall goodreads - Jul 14 2023

web nov 1 2018 steve smith s men behind australian cricket s fall geoff lemon 4 36 604 ratings53 reviews he was the top test batsman in the world with numbers bettered only

steve smith s men behind australian cricket s fall epub - Mar 30 2022

web australia s david warner and captain steve smith credit aap steve smith s men geoff lemon hardie grant 29 99 it is the modern way to conduct at least two inquiries into a

asls blended learning course american heart association - Jun 29 2023

web the advanced stroke life support asls blended learning course is designed to help in hospital and prehospital healthcare professionals identify evaluate and manage patients with stroke this course was developed in partnership with the university of miami gordon center for simulation and innovation in medical education

advanced stroke life support asls blended learning - Sep 01 2023

web advanced stroke life support asls blended learning course as of may 5 2023 course information q what is the asls blended learning course a the asls blended learning course educates healthcare professionals to identify evaluate and manage patients with stroke

asls angels advanced stroke life support for prehospital - Jan 25 2023

web the premier e learning course for stroke education for emergency medical teams developed by experts in stroke emergency medicine prehospital care and nursing education used to train thousands of ems personnel nurses and physicians from hundreds of institutions across the u s and abroad

asls 2023 gni events - Mar 27 2023

web the new advanced stroke life support asls blended learning course co developed by the american heart association and the gordon center for simulation and innovation in medical education will educate healthcare professionals to identify evaluate and manage patients with stroke

advanced stroke life support gni - Feb 23 2023

web advanced stroke life support twitter join us for this practical hands on course developed by experts in stroke emergency medicine prehospital care and nursing education this course is used to train thousands of ems personnel nurses and physicians from hundreds of institutions across the us and abroad

advanced stroke life support blended learning - Jul 31 2023

web announce a new stroke education course for in hospital and prehospital healthcare professionals the new advanced stroke life support asls blended learning course will educate healthcare professionals to identify evaluate and manage patients with stroke who should take the course blended learning format

advanced life stroke support products american heart - Apr 27 2023

web advanced stroke life support asls courses and digital products are available to purchase through professional education hub the print materials listed below are available to purchase on shopcpr refine list instructor student print usb instructor manual video reference card asls english showing results 1 of 4

stroke training advanced stroke life support asls - Apr 15 2022

web asls advanced stroke life support online course ideal for all sectors and staff that work in environments with potential stroke patients staff that want to learn the skills to allow them to accurately diagnose a stroke and reduce the level of mortality and morbidity in stroke patients duration

advanced stroke life support curriculum guidelines for - May 17 2022

web mar 11 2016 advanced stroke life support asls is a course that addresses the prehospital emergency department and inpatient hospital management of patients with acute stroke incorporating interactive discussions hands on workshops video cases and standardized patient simulations

acls for experienced providers american stroke association - Jun 17 2022

web advanced cardiovascular life support acls this advanced course highlights the importance of high performance team dynamics and communication systems of care recognition and intervention of cardiopulmonary arrest immediate post cardiac arrest acute dysrhythmia stroke and acute coronary syndromes acls learn more about acls

asls course american heart association cpr first aid - Oct 02 2023

web advanced stroke life support with a shared goal of reducing deaths and disabilities for stroke victims the american heart association in partnership with the university of miami s gordon center for simulation and innovation in medical education has released the new advanced stroke life support blended learning course

ive advanced stroke life support asls provider manual ebook - Sep 20 2022

web the ive advanced stroke life support asls provider manual ebook is designed with general learning goals for all healthcare professionals both prehospital and in hospital professionals have unique educational needs so the course content has been developed to meet those specific needs

acls american heart association cpr first aid - Dec 24 2022

web advanced cardiovascular life support acls the aha s acls course builds on the foundation of lifesaving bls skills

emphasizing the importance of continuous high quality cpr reflects science and education from the american heart association guidelines update for cpr and emergency cardiovascular care ecc which course is right for me

advanced stroke life support asls intramed eventos - Nov 22 2022

web curso on line gratuito comienza jueves 25 de agosto de 2022 finaliza jueves 08 de septiembre de 2022 lugar a distancia organiza iniciativa angels programa módulo 1 introducción módulo 2 datos y fundamentos del acv módulo 3 examen mend una herramienta de evaluación neurológica específica módulo 4 síndromes de acv

adult life support training resuscitation council uk - Mar 15 2022

web take a two day als course learning essential skills in advanced life support e als advanced life support course learn als at your own pace with 1 day of e learning and one day of face to face skill building and simulations als modular advanced life support course

advanced stroke life support - Oct 22 2022

web jun 24 2019 advanced stroke life support for hospital and prehospital providers fact sheet post office box 016960 d 41 location 1120 n w 14th street tel 305 243 6491 fax 305 243 3347 miami florida 33101 miami florida 33136 web gcrme miami edu 6 24 19

advanced stroke life support blended learning instructor - Feb 11 2022

web welcome to the american heart association aha advanced stroke life support instructor essentials course at the end of the instructor essentials course you will be able to identify the prerequisites to becoming an aha instructor describe the usability of the program administration manual pam

advanced stroke life support asls class life ems ambulance - Aug 20 2022

web advanced stroke life support asls class april 12 6 00 pm 9 00 pm edt 175 00

adult advanced life support 2020 international consensus on - Jul 19 2022

web oct 21 2020 this 2020 international consensus on cardiopulmonary resuscitation and emergency cardiovascular care science with treatment recommendations for advanced life support includes updates on multiple ad

abstract tp356 advanced stroke life support course - May 29 2023

web jan 22 2018 prehospital and hospital based health care providers can make the difference between the opportunity for recovery or a life of long term disability and even death advanced stroke life support asls is a one day evidence based stroke course consisting of didactic lectures and interactive instruction