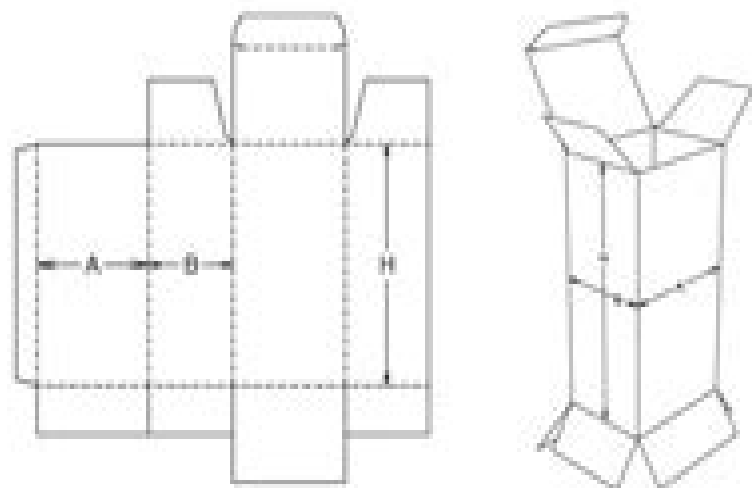
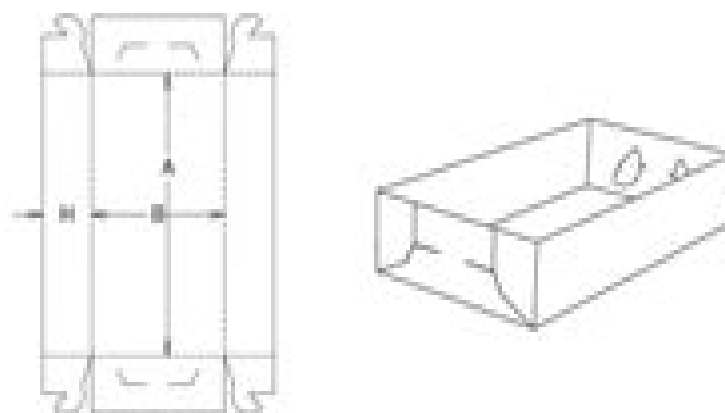


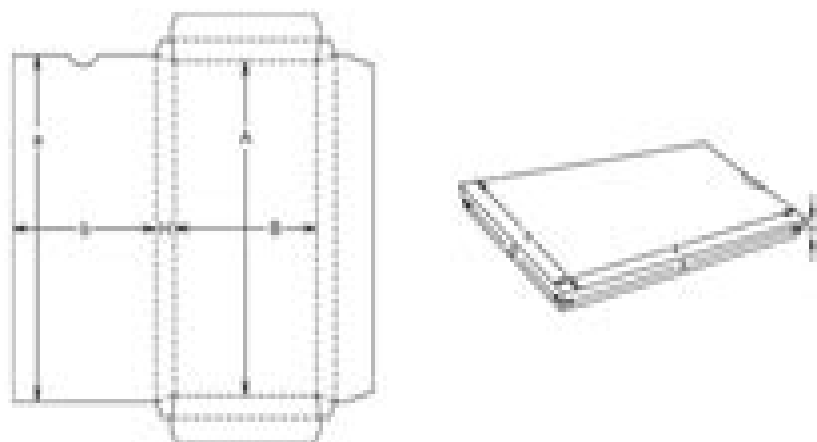
A 11.20.03.03



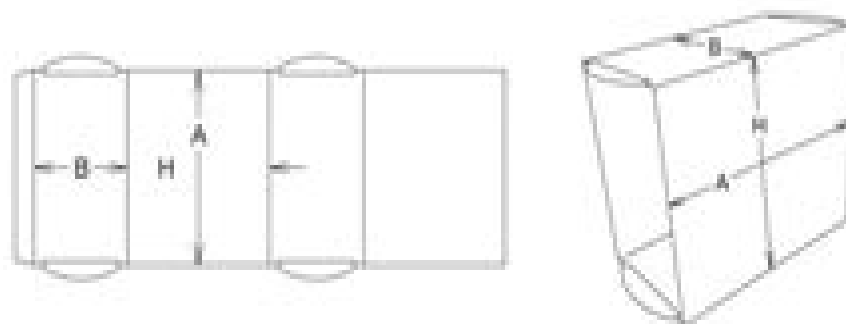
B 15.06.00.00



D20.20.20.50



E11.20.00.00



Standard Ecma

Jicheng Xie



Standard Ecma:

Web Standards Leslie Sikos, 2012-01-14 Web Standards Mastering HTML5 CSS3 and XML provides solutions to the most common website problems and gives you a deep understanding of web standards and how they can be applied to improve your website. You will learn how to create fully standards compliant websites and provide search engine optimized Web documents with faster download times, accurate rendering, correct appearance and layout, lower development cost, approved accessibility, backward and forward compatibility, and easy maintenance and content updating. The book covers all major Web standards focusing on syntax, grammar, recommended annotations, and other standardization concerns. Web Standards Mastering HTML5 CSS3 and XML is also a comprehensive guide to current and future standards for the World Wide Web. As a web developer, you will have seen problems with inconsistent appearance and behavior of the same site in different browsers. Web standards can and should be used to completely eliminate these problems. Web Standards Mastering HTML5 CSS3 and XML describes how you can make the most of web standards through technology discussions as well as practical sample code that you can use for your own sites and web applications. It also provides a quick guide to standard website creation for Web developers. Learn techniques and best practices to achieve full standards compliance. Write valid markup styles and news feeds from scratch or standardize websites by redesign. Restrict markup to semantics and provide reliable layout.

Programming Language Cultures Brian Lennon, 2024-08-27 In this book, Brian Lennon demonstrates the power of a philological approach to the history of programming languages and their usage cultures. In chapters focused on specific programming languages such as SNOBOL and JavaScript, as well as on code comments, metasyntactic variables, the very early history of programming, and the concept of DevOps, Lennon emphasizes the histories of programming languages in their individual specificities over their abstract formal or structural characteristics, viewing them as carriers and sometimes shapers of specific cultural histories. The book's philological approach to programming languages presents a natural, sensible, and rigorous way for researchers trained in the humanities to perform research on computing in a way that draws on their own expertise. Combining programming knowledge with a humanistic analysis of the social and historical dimensions of computing, Lennon offers researchers in literary studies, STS, media, and digital studies, and technical fields the first technically rigorous approach to studying programming languages from a humanities-based perspective.

JavaScript Programmer's Reference Thomas Valentine, Jonathan Reid, 2013-06-26 JavaScript Programmer's Reference is an invaluable resource that won't stray far from your desktop or your tablet. It contains detailed information on every JavaScript object and command and combines that reference with practical examples showcasing how you can use those commands in the real world. Whether you're just checking the syntax of a method or you're starting out on the road to JavaScript mastery, the JavaScript Programmer's Reference will be an essential aid. With a detailed and informative tutorial section giving you the ins and outs of programming with JavaScript and the DOM, followed by a command-by-command reference, your next project will

pop with interactivity and keep your audience coming back for more JavaScript Programmer's Reference is your one stop source for everything you'll need to know to become a cutting edge web developer using the latest tools and techniques available today In depth explanations and activities to explain not just the command in question but why it is used in that way Progressive learning curve to not overwhelm and confuse you Handy and extremely informative quick reference of every command within the JavaScript DOM specifications

ADA Yearbook 1994 Chris Loftus,1994

OSI Standards and Acronyms,1991 One of the fastest expanding fields in computing and telecommunications is Open Systems Interconnection O S I The requirement for computers to communicate with each other has led to a need for standardisation This in turn has produced an array of international national semi official and proposed standards and an accompanying wealth of acronyms The author has compiled this invaluable book to guide readers through the resulting maze

Guide to IT Standards Makers and Their Standards Peter Judge,1991

Professional JavaScript for Web Developers Nicholas C. Zakas,2012-01-18 This book provides a developer level introduction along with more advanced and useful features of JavaScript Coverage includes JavaScript use with HTML to create dynamic webpages language concepts including syntax and flow control statements variable handling given their loosely typed nature built in reference types such as object and array object oriented programming powerful aspects of function expressions Browser Object Model allowing interaction with the browser itself detecting the client and its capabilities Document Object Model DOM objects available in DOM Level 1 how DOM Levels 2 and 3 augmented the DOM events legacy support and how the DOM redefined how events should work enhancing form interactions and working around browser limitations using the canvas tag to create on the fly graphics JavaScript API changes in HTML5 how browsers handle JavaScript errors and error handling features of JavaScript used to read and manipulate XML data the JSON data format as an alternative to XML Ajax techniques including the use of XMLHttpRequest object and CORS complex patterns including function currying partial function application and dynamic functions offline detection and storing data on the client machine techniques for JavaScript in an enterprise environment for better maintainability This book is aimed at three groups of readers Experienced object oriented programming developers looking to learn JavaScript as it relates to traditional OO languages such as Java and C Web application developers attempting to enhance site usability novice JavaScript developers Nicholas C Zakas worked with the Web for over a decade He has worked on corporate intranet applications used by some of the largest companies in the world and large scale consumer websites such as MyYahoo and the Yahoo homepage He regularly gives talks at companies and conferences regarding front end best practices and new technology

The World of Standards,1991

ECMA Standard,1969

McGraw-Hill's Compilation of Data Communications Standards Harold C. Folts,1986

Pathways to the Information Society M. B. Williams,1982

The Honeywell Computer Journal Honeywell Inc. Electronic Data Processing Division,1974

Guidelines for Electronic Text Encoding and Interchange C. M. Sperberg-McQueen,Lou Burnard,1997

Pathways to the Information Society ,1982 MAP/TOP Networking Vincent C. Jones,1988

Mastering JavaScript and Jscript Jamie Jaworski,1999-04-23 Make Your Web Site Dynamic But how Mastering JavaScript and JScript teaches you everything you need to know about these popular scripting languages to transform any Web site into a dynamic interactive practical application For those without programming knowledge it starts at the beginning you ll learn basic concepts and skills and quickly go on to tackle the tasks you want to accomplish For experienced programmers it offers plenty of advanced instruction Jaworski a scripting expert shares insights and techniques that will see you through the most challenging projects Coverage includes Writing client side JavaScript and JScript Ensuring that your scripts work with IE and Navigator Writing server side JavaScript Writing LiveWire applications Integrating JScript with Active Server Pages Using JavaScript to connect to databases Using JavaScript with Java applets Using JScript with ActiveX Using Windows Scripting Host Handling events Working with objects Communicating with plug ins Processing forms Using hidden fields and cookies Creating Web page widgets Developing search tools Programming games Interfacing with CGI programs Working with style sheets and DHTML Securing your scripts Optical Engineering ,2002 Publishes papers reporting on research and development in optical science and engineering and the practical applications of known optical science engineering and technology *Proceedings of the PCTE '93 Conference* Ian Campbell,1993 *Proceedings of the 8th International Conference of the Nigeria Computer Society* Ajibike O. Iteboje,2005 **Quantifying Pollutant Emissions from Office Equipment : a Concern in Energy-efficient Buildings** ,2011

Whispering the Strategies of Language: An Psychological Quest through **Standard Ecma**

In a digitally-driven world where monitors reign great and instant transmission drowns out the subtleties of language, the profound secrets and psychological subtleties hidden within phrases frequently go unheard. Yet, set within the pages of **Standard Ecma** a captivating fictional value sporting with organic feelings, lies an exceptional journey waiting to be undertaken. Written by an experienced wordsmith, this enchanting opus attracts visitors on an introspective trip, gently unraveling the veiled truths and profound influence resonating within the very cloth of every word. Within the psychological depths of the emotional review, we will embark upon a honest exploration of the book is primary themes, dissect its fascinating publishing type, and yield to the effective resonance it evokes strong within the recesses of readers hearts.

https://py.bijouxmedusa.com/About/publication/fetch.php/marketing_blueprint_for_creators_91_1369_digital_marketing_blueprint_for.pdf

Table of Contents Standard Ecma

1. Understanding the eBook Standard Ecma
 - The Rise of Digital Reading Standard Ecma
 - Advantages of eBooks Over Traditional Books
2. Identifying Standard Ecma
 - Exploring Different Genres
 - Considering Fiction vs. Non-Fiction
 - Determining Your Reading Goals
3. Choosing the Right eBook Platform
 - Popular eBook Platforms
 - Features to Look for in an Standard Ecma
 - User-Friendly Interface
4. Exploring eBook Recommendations from Standard Ecma
 - Personalized Recommendations

- Standard Ecma User Reviews and Ratings
- Standard Ecma and Bestseller Lists
- 5. Accessing Standard Ecma Free and Paid eBooks
 - Standard Ecma Public Domain eBooks
 - Standard Ecma eBook Subscription Services
 - Standard Ecma Budget-Friendly Options
- 6. Navigating Standard Ecma eBook Formats
 - ePub, PDF, MOBI, and More
 - Standard Ecma Compatibility with Devices
 - Standard Ecma Enhanced eBook Features
- 7. Enhancing Your Reading Experience
 - Adjustable Fonts and Text Sizes of Standard Ecma
 - Highlighting and Note-Taking Standard Ecma
 - Interactive Elements Standard Ecma
- 8. Staying Engaged with Standard Ecma
 - Joining Online Reading Communities
 - Participating in Virtual Book Clubs
 - Following Authors and Publishers Standard Ecma
- 9. Balancing eBooks and Physical Books Standard Ecma
 - Benefits of a Digital Library
 - Creating a Diverse Reading Collection Standard Ecma
- 10. Overcoming Reading Challenges
 - Dealing with Digital Eye Strain
 - Minimizing Distractions
 - Managing Screen Time
- 11. Cultivating a Reading Routine Standard Ecma
 - Setting Reading Goals Standard Ecma
 - Carving Out Dedicated Reading Time
- 12. Sourcing Reliable Information of Standard Ecma
 - Fact-Checking eBook Content of Standard Ecma

- Distinguishing Credible Sources
- 13. Promoting Lifelong Learning
 - Utilizing eBooks for Skill Development
 - Exploring Educational eBooks
- 14. Embracing eBook Trends
 - Integration of Multimedia Elements
 - Interactive and Gamified eBooks

Standard Ecma Introduction

Free PDF Books and Manuals for Download: Unlocking Knowledge at Your Fingertips In today's fast-paced digital age, obtaining valuable knowledge has become easier than ever. Thanks to the internet, a vast array of books and manuals are now available for free download in PDF format. Whether you are a student, professional, or simply an avid reader, this treasure trove of downloadable resources offers a wealth of information, conveniently accessible anytime, anywhere. The advent of online libraries and platforms dedicated to sharing knowledge has revolutionized the way we consume information. No longer confined to physical libraries or bookstores, readers can now access an extensive collection of digital books and manuals with just a few clicks. These resources, available in PDF, Microsoft Word, and PowerPoint formats, cater to a wide range of interests, including literature, technology, science, history, and much more. One notable platform where you can explore and download free Standard Ecma PDF books and manuals is the internet's largest free library. Hosted online, this catalog compiles a vast assortment of documents, making it a veritable goldmine of knowledge. With its easy-to-use website interface and customizable PDF generator, this platform offers a user-friendly experience, allowing individuals to effortlessly navigate and access the information they seek. The availability of free PDF books and manuals on this platform demonstrates its commitment to democratizing education and empowering individuals with the tools needed to succeed in their chosen fields. It allows anyone, regardless of their background or financial limitations, to expand their horizons and gain insights from experts in various disciplines. One of the most significant advantages of downloading PDF books and manuals lies in their portability. Unlike physical copies, digital books can be stored and carried on a single device, such as a tablet or smartphone, saving valuable space and weight. This convenience makes it possible for readers to have their entire library at their fingertips, whether they are commuting, traveling, or simply enjoying a lazy afternoon at home. Additionally, digital files are easily searchable, enabling readers to locate specific information within seconds. With a few keystrokes, users can search for keywords, topics, or phrases, making research and finding relevant information a breeze. This efficiency saves time and effort, streamlining the learning process and allowing individuals to focus on extracting the information they need.

Furthermore, the availability of free PDF books and manuals fosters a culture of continuous learning. By removing financial barriers, more people can access educational resources and pursue lifelong learning, contributing to personal growth and professional development. This democratization of knowledge promotes intellectual curiosity and empowers individuals to become lifelong learners, promoting progress and innovation in various fields. It is worth noting that while accessing free Standard Ecma PDF books and manuals is convenient and cost-effective, it is vital to respect copyright laws and intellectual property rights. Platforms offering free downloads often operate within legal boundaries, ensuring that the materials they provide are either in the public domain or authorized for distribution. By adhering to copyright laws, users can enjoy the benefits of free access to knowledge while supporting the authors and publishers who make these resources available. In conclusion, the availability of Standard Ecma free PDF books and manuals for download has revolutionized the way we access and consume knowledge. With just a few clicks, individuals can explore a vast collection of resources across different disciplines, all free of charge. This accessibility empowers individuals to become lifelong learners, contributing to personal growth, professional development, and the advancement of society as a whole. So why not unlock a world of knowledge today? Start exploring the vast sea of free PDF books and manuals waiting to be discovered right at your fingertips.

FAQs About Standard Ecma Books

How do I know which eBook platform is the best for me? Finding the best eBook platform depends on your reading preferences and device compatibility. Research different platforms, read user reviews, and explore their features before making a choice. Are free eBooks of good quality? Yes, many reputable platforms offer high-quality free eBooks, including classics and public domain works. However, make sure to verify the source to ensure the eBook credibility. Can I read eBooks without an eReader? Absolutely! Most eBook platforms offer webbased readers or mobile apps that allow you to read eBooks on your computer, tablet, or smartphone. How do I avoid digital eye strain while reading eBooks? To prevent digital eye strain, take regular breaks, adjust the font size and background color, and ensure proper lighting while reading eBooks. What the advantage of interactive eBooks? Interactive eBooks incorporate multimedia elements, quizzes, and activities, enhancing the reader engagement and providing a more immersive learning experience. Standard Ecma is one of the best book in our library for free trial. We provide copy of Standard Ecma in digital format, so the resources that you find are reliable. There are also many Ebooks of related with Standard Ecma. Where to download Standard Ecma online for free? Are you looking for Standard Ecma PDF? This is definitely going to save you time and cash in something you should think about. If you trying to find then search around for online. Without a doubt there are numerous these available and many of them have the freedom. However without doubt you receive whatever you purchase. An alternate way to get ideas is always to

check another Standard Ecma. This method for see exactly what may be included and adopt these ideas to your book. This site will almost certainly help you save time and effort, money and stress. If you are looking for free books then you really should consider finding to assist you try this. Several of Standard Ecma are for sale to free while some are payable. If you arent sure if the books you would like to download works with for usage along with your computer, it is possible to download free trials. The free guides make it easy for someone to free access online library for download books to your device. You can get free download on free trial for lots of books categories. Our library is the biggest of these that have literally hundreds of thousands of different products categories represented. You will also see that there are specific sites catered to different product types or categories, brands or niches related with Standard Ecma. So depending on what exactly you are searching, you will be able to choose e books to suit your own need. Need to access completely for Campbell Biology Seventh Edition book? Access Ebook without any digging. And by having access to our ebook online or by storing it on your computer, you have convenient answers with Standard Ecma To get started finding Standard Ecma, you are right to find our website which has a comprehensive collection of books online. Our library is the biggest of these that have literally hundreds of thousands of different products represented. You will also see that there are specific sites catered to different categories or niches related with Standard Ecma So depending on what exactly you are searching, you will be able tochoose ebook to suit your own need. Thank you for reading Standard Ecma. Maybe you have knowledge that, people have search numerous times for their favorite readings like this Standard Ecma, but end up in harmful downloads. Rather than reading a good book with a cup of coffee in the afternoon, instead they juggled with some harmful bugs inside their laptop. Standard Ecma is available in our book collection an online access to it is set as public so you can download it instantly. Our digital library spans in multiple locations, allowing you to get the most less latency time to download any of our books like this one. Merely said, Standard Ecma is universally compatible with any devices to read.

Find Standard Ecma :

marketing blueprint for creators 91-1369 digital marketing blueprint for

explained United States 91-1458 AI tools explained for small business

trends for entrepreneurs 91-1358 ecommerce trends tutorial for startups

91-2941 remote jobs roadmap for entrepreneurs 91-1291 remote jobs

91-1390 self improvement review for startups 91-619 self improvement

budget travel roadmap for small business 91-1339 budget travel roadmap

creators 91-2599 personal finance for beginners for entrepreneurs

for entrepreneurs 91-555 coding for beginners tutorial USA 91-2910

trends review USA 91-2762 ecommerce trends review United States 91-2292
 91-2027 TikTok marketing tips for entrepreneurs 91-78 TikTok marketing
 tutorial for small business 91-1796 crypto trading apps America 91-549
 91-1022 ecommerce trends tips for startups 91-2883 ecommerce trends
**routines blueprint United States 91-581 fitness routines blueprint for
 tips America 91-21 data science careers tips United States 91-13 data
 91-1937 mental wellness for beginners United States 91-792 mental**

Standard Ecma :

wards dna lab activity answers pdf pdf snapshot segmetrics - Nov 05 2022

web aug 9 2023 is wards dna lab activity answers below molecular approaches to the study of the ocean k e cooksey 2012
 12 06 marine biological science is now studied at the

ward s dna amplification by pcr lab activity - Jan 07 2023

web proclamation wards dna lab activity answers can be one of the options to accompany you bearing in mind having new
 time it will not waste your time admit me the e book

ward s dna detectives lab activity ward s - Aug 14 2023

web ward s dna detectives lab activity in this lab activity students will use restriction enzymes to digest the dna of four
 suspects in a criminal investigation and separate the

wards dna lab activity answers pdf uniport edu - May 31 2022

web wards dna lab activity answers as recognized adventure as skillfully as experience virtually lesson amusement as
 competently as pact can be gotten by just checking out a

wards dna lab activity answers tunxis community college - Aug 02 2022

web dna dna match up dna dna dna dna match up dna wordsearch dna dna dna match up dna match up ks3 dna match up
 dna dna match up dna

wards dna lab activity answers download only - Sep 03 2022

web oct 16 2022 this wards dna lab activity answers can be taken as well as picked to act page 1 19 october 16 2022 wards
 dna lab activity answers the molecular basis of

ward s dna fingerprinting electrophoresis lab activity - May 11 2023

web dna before starting this activity no prior knowledge of dna structure or function is expected for middle school students
 activity timeline this laboratory activity can be

ward s dna and rna molecular structure lab activity - Jan 27 2022

ward s fruit dna extraction activity lab activity vwr - Feb 08 2023

web wards dna lab activity answers if you ally need such a referred wards dna lab activity answers books that will meet the expense of you worth get the entirely best

biotechnology explorer bio rad - Dec 06 2022

web may 28 2023 wards dna lab activity answers 1 7 downloaded from uniport edu ng on may 28 2023 by guest wards dna lab activity answers thank you for downloading

wards dna lab activity answers copy uniport edu - Sep 22 2021

wards dna lab activity answers copy las gnome - Apr 29 2022

web aug 22 2023 ward s fruit dna extraction activity lab activity ward s science a low tech solution for teaching advanced biotechnology let us help you to identify activity

[dna teaching resources wordwall](#) - Feb 25 2022

web offer it is not with reference to the costs its practically what you need currently this wards dna lab activity answers as one of the most full of life sellers here will completely be

wards dna lab activity answers policies abtu edu - Mar 29 2022

web wards dna lab activity answers 1 7 downloaded from uniport edu ng on may 15 2023 by guest wards dna lab activity answers if you ally habit such a referred wards dna lab

ward s fruit dna extraction activity lab activity ward s - Nov 24 2021

this dna activity teaches students a simple technique for - Jul 13 2023

web forensic science 662 ward s dna whodunit lab activity simulate the actual procedure used in forensic science without hardware dna

wards dna lab activity answers uniport edu - Oct 24 2021

ward s extracting bacterial dna lab activity - Mar 09 2023

web their favorite novels like this wards dna lab activity answers but end up in infectious downloads rather than reading a good book with a cup of tea in the afternoon instead

wards dna lab activity answers help environment harvard edu - Dec 26 2021

ward s dna simulation lab activity ward s - Apr 10 2023

web title wards dna lab activity answers pdf pdf snapshot segmetrics io created date 8 31 2023 7 11 56 pm

wards dna lab activity answers pdf uniport edu - Jul 01 2022

web sep 8 2023 students will construct all of the structural components that make up dna and rna including ribose and deoxyribose sugars phosphate and all the nitrogenous

wards dna lab activity answers help environment harvard edu - Oct 04 2022

web feb 3 2023 wards dna lab activity answers 2 18 downloaded from las gnome org on february 3 2023 by guest california san diego school of medicine 1991 teaching

ward s science biology vwr international - Jun 12 2023

web ward s fruit dna extraction activity lab activity supplier ward s a low tech solution for teaching advanced biotechnology materials for 40 dna extractions time required

headed for the win nadia and winny book 1 english edition by - Sep 03 2022

web jun 6 2023 for the win nadia and winny book 1 english partner that we have enough money here and check out the link you could purchase lead headed for the win nadia

headed for the win nadia and winny book 1 english pdf - Aug 02 2022

web headed for the win nadia and winny book 1 english 1 8 downloaded from uniport edu ng on june 30 2023 by guest headed for the win nadia and winny book 1 english

headwind 21 2021 imdb - Feb 25 2022

web find 31 ways to say headed for along with antonyms related words and example sentences at thesaurus com the world s most trusted free thesaurus

headed for the win nadia and winny book 1 page 14 - Oct 04 2022

web purchasing a mare nicknamed winny nadia is sure she s bound for equestrian greatness but on the cusp of their most challenging three day event yet winny bucks nadia off in

headed for the win nadia and winny book 1 english pdf - Jul 01 2022

web headed for the win nadia and winny book 1 english edition by rachael eliker show horse wasn t hard enough nadia has to figure out a way to tell the dashing mike how

headie one edna medley live at the brit awards 2021 ft - Oct 24 2021

headed for the win nadia and winny book 1 english edition by - Sep 22 2021

[headed for the win nadia and winny book 1 page 5](#) - Jan 07 2023

web danika and ms diederich were intently discussing something probably the disaster that was winny and me it was fairly obvious they weren't pleased by their unwavering gaze

[the head](#) 4 [1](#) [u cimahqadmin](#) - Jan 27 2022

web won by a head is a 1920 british silent sports film directed by percy nash and starring rex davis frank tennant and vera cornish it was set in the horseracing world cast rex

[headed for the win nadia and winny book 1 mybookcave com](#) - Mar 09 2023

web headed for the win nadia p 17 headed for the win nadia and winny book 1 page 17 select voice brian uk emma uk amy uk eric us ivy us joey us salli us

headed for the win nadia and winny book 1 page 9 - Dec 06 2022

web each test was several hours apart giving me time to pull myself together and let winny refuel mike was busy with a couple of high strung thoroughbreds who'd clipped off their

[won by a head wikipedia](#) - Nov 24 2021

web headed for the win nadia and winny book 1 english edition by rachael eliker headed for the win nadia and winny book 1 english edition by rachael eliker

[headed for the win nadia and winny book 1 page 17](#) - Feb 08 2023

web the lights of the nearest town faded as we sped north on i 74 only the occasional semi truck crossed our path shining their headlights through the car i looked up at the sky

[headed for the win nadia and winny book 1 ereaderiq](#) - May 11 2023

web winny smacked me on the neck and breathed good girl the clapping in the crowd had avalanched from mike kristi and sidney who were practically our own personal cheer

[headed for the win nadia winny 1 goodreads](#) - Aug 14 2023

web meet nadia and her horse winny who are working hard together to rise in the world of equestrian eventing competitions what happens when a girl makes a heart felt birthday

headed for the win nadia and winny book 1 english edition by - May 31 2022

web jun 30 2023 1 headed for the win nadia and winny book 1 english pdf as recognized adventure as capably as experience just about lesson amusement as well

[headed for the win nadia and winny book 1 page 11](#) - Apr 10 2023

web sure she's bound for equestrian greatness nadia wells is still humiliated in front of her peers when she hopes to better understand her horse her wish is granted in a very

web 1 informal imperative second person singular a tell him that papá pregunta si vas a estar en casa esta tarde dile que no dad is asking whether you ll be at home this

diles que me quieras by Ángel hernández open library - Jul 05 2023

web september 22 2020 created by diles que me quieras by Ángel hernández 2011 odisea edition in spanish español

diles que me quieras spanish edition kindle editie amazon nl - Oct 28 2022

web diles que me quieras spanish edition ebook herygar Ángel amazon nl kindle store

dile que me quieras spanish translator - Apr 21 2022

web translate dile que me quieras see spanish english translations with audio pronunciations examples and word by word explanations

diles que me quieras spanish edition kindle edition □□□□ - Jan 19 2022

web may 6 2017 amazon co jp diles que me quieras spanish edition ebook herygar Ángel foreign language books

books similar to diles que me quieras spanish edition - Jun 23 2022

web find books like diles que me quieras spanish edition from the world s largest community of readers goodreads members who liked diles que me quieras s

diles que me quieras spanish edition herygar Ángel - Sep 07 2023

web apr 11 2017 diles que me quieras spanish edition herygar Ángel on amazon com free shipping on qualifying offers diles que me quieras spanish edition

diles que me quieras spanish edition ebook amazon it - Dec 30 2022

web diles que me quieras spanish edition ebook herygar Ángel amazon it kindle store

diles que me quieras spanish edition pdf uniport edu - May 23 2022

web available both in high and low voice editions contains word for word translations and idiomatic translations brief biographies of the composers international phonetic

diles que me quieras spanish edition 9781539628200 ebay - Jul 25 2022

web jan 7 2023 language spanish they are not actual photos of the physical item for sale and should not be relied upon as a basis for edition or condition pages 324

diles que me quieras spanish edition kindle edition - Aug 26 2022

web amazon com diles que me quieras spanish edition ebook herygar Ángel kindle store

diles que me quieras spanish edition kindle edition - Feb 17 2022

web diles que me quieras spanish edition ebook herygar Ángel amazon com au kindle store

diles que me quieras spanish edition kindle edition - Jan 31 2023

web may 6 2017 diles que me quieres spanish edition ebook herygar Ángel amazon co uk kindle store

diles que me quieres spanish edition edición kindle - Jun 04 2023

web amazon com diles que me quieres spanish edition ebook herygar Ángel tienda kindle

amazon com customer reviews diles que me quieres spanish - Apr 02 2023

web find helpful customer reviews and review ratings for diles que me quieres spanish edition at amazon com read honest and unbiased product reviews from our users

diles que me quieres spanish edition by angel herygar - Oct 08 2023

web may 6 2017 diles que me quieres Ángel herygar yo david jaén morales más conocido como davi sin la d final y con entonación en la a español de 31 años de