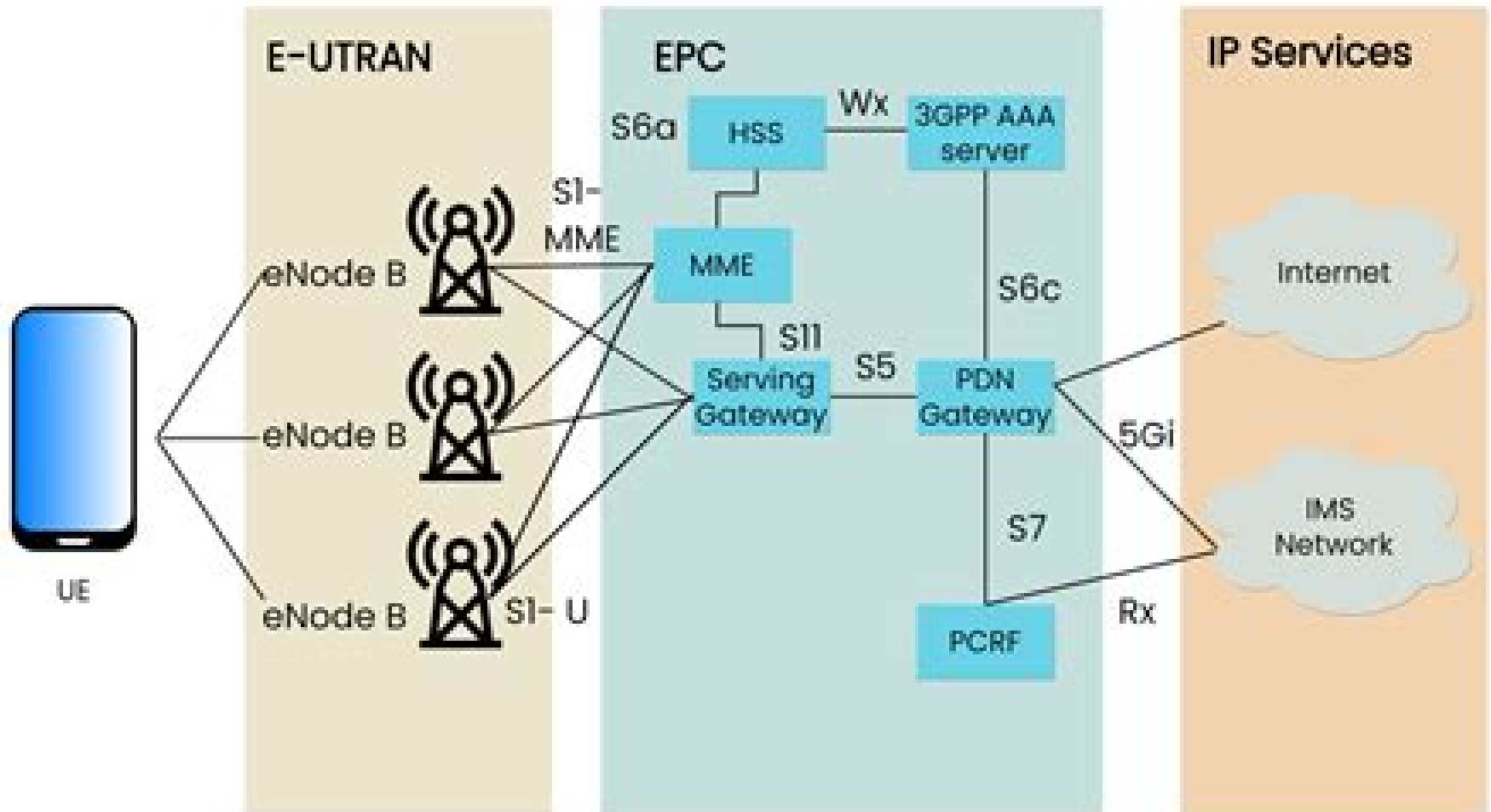


User Equipment (UE)



Aggregate Lte Characterizing User Equipment Emissions

**National Academies of Sciences,
Engineering, and Medicine, Division on
Engineering and Physical
Sciences, Laboratory Assessments
Board, Panel on Review of the National
Institute of Standards and
Technology's Communications
Technology Laboratory**

Aggregate Lte Characterizing User Equipment Emissions:

Unveiling the Power of Verbal Artistry: An Mental Sojourn through **Aggregate Lte Characterizing User Equipment Emissions**

In a global inundated with screens and the cacophony of instant conversation, the profound energy and emotional resonance of verbal art frequently diminish in to obscurity, eclipsed by the constant onslaught of sound and distractions. However, set within the musical pages of **Aggregate Lte Characterizing User Equipment Emissions**, a charming function of literary splendor that pulses with natural emotions, lies an unique trip waiting to be embarked upon. Composed with a virtuoso wordsmith, this enchanting opus instructions visitors on an emotional odyssey, lightly revealing the latent potential and profound affect embedded within the elaborate internet of language. Within the heart-wrenching expanse of the evocative analysis, we can embark upon an introspective exploration of the book is central styles, dissect their captivating writing design, and immerse ourselves in the indelible impact it leaves upon the depths of readers souls.

https://py.bijouxmedusa.com/public/book-search/HomePages/Diptongos_E_Hiatsos_Ejercicios_Ceip_Los_Prados_5.pdf

Table of Contents Aggregate Lte Characterizing User Equipment Emissions

1. Understanding the eBook Aggregate Lte Characterizing User Equipment Emissions
 - The Rise of Digital Reading Aggregate Lte Characterizing User Equipment Emissions
 - Advantages of eBooks Over Traditional Books
2. Identifying Aggregate Lte Characterizing User Equipment Emissions
 - Exploring Different Genres
 - Considering Fiction vs. Non-Fiction
 - Determining Your Reading Goals
3. Choosing the Right eBook Platform
 - Popular eBook Platforms
 - Features to Look for in an Aggregate Lte Characterizing User Equipment Emissions
 - User-Friendly Interface
4. Exploring eBook Recommendations from Aggregate Lte Characterizing User Equipment Emissions

- Personalized Recommendations
 - Aggregate Lte Characterizing User Equipment Emissions User Reviews and Ratings
 - Aggregate Lte Characterizing User Equipment Emissions and Bestseller Lists
5. Accessing Aggregate Lte Characterizing User Equipment Emissions Free and Paid eBooks
 - Aggregate Lte Characterizing User Equipment Emissions Public Domain eBooks
 - Aggregate Lte Characterizing User Equipment Emissions eBook Subscription Services
 - Aggregate Lte Characterizing User Equipment Emissions Budget-Friendly Options
 6. Navigating Aggregate Lte Characterizing User Equipment Emissions eBook Formats
 - ePub, PDF, MOBI, and More
 - Aggregate Lte Characterizing User Equipment Emissions Compatibility with Devices
 - Aggregate Lte Characterizing User Equipment Emissions Enhanced eBook Features
 7. Enhancing Your Reading Experience
 - Adjustable Fonts and Text Sizes of Aggregate Lte Characterizing User Equipment Emissions
 - Highlighting and Note-Taking Aggregate Lte Characterizing User Equipment Emissions
 - Interactive Elements Aggregate Lte Characterizing User Equipment Emissions
 8. Staying Engaged with Aggregate Lte Characterizing User Equipment Emissions
 - Joining Online Reading Communities
 - Participating in Virtual Book Clubs
 - Following Authors and Publishers Aggregate Lte Characterizing User Equipment Emissions
 9. Balancing eBooks and Physical Books Aggregate Lte Characterizing User Equipment Emissions
 - Benefits of a Digital Library
 - Creating a Diverse Reading Collection Aggregate Lte Characterizing User Equipment Emissions
 10. Overcoming Reading Challenges
 - Dealing with Digital Eye Strain
 - Minimizing Distractions
 - Managing Screen Time
 11. Cultivating a Reading Routine Aggregate Lte Characterizing User Equipment Emissions
 - Setting Reading Goals Aggregate Lte Characterizing User Equipment Emissions
 - Carving Out Dedicated Reading Time
 12. Sourcing Reliable Information of Aggregate Lte Characterizing User Equipment Emissions

- Fact-Checking eBook Content of Aggregate Lte Characterizing User Equipment Emissions
 - Distinguishing Credible Sources
13. Promoting Lifelong Learning
- Utilizing eBooks for Skill Development
 - Exploring Educational eBooks
14. Embracing eBook Trends
- Integration of Multimedia Elements
 - Interactive and Gamified eBooks

Aggregate Lte Characterizing User Equipment Emissions Introduction

Free PDF Books and Manuals for Download: Unlocking Knowledge at Your Fingertips In today's fast-paced digital age, obtaining valuable knowledge has become easier than ever. Thanks to the internet, a vast array of books and manuals are now available for free download in PDF format. Whether you are a student, professional, or simply an avid reader, this treasure trove of downloadable resources offers a wealth of information, conveniently accessible anytime, anywhere. The advent of online libraries and platforms dedicated to sharing knowledge has revolutionized the way we consume information. No longer confined to physical libraries or bookstores, readers can now access an extensive collection of digital books and manuals with just a few clicks. These resources, available in PDF, Microsoft Word, and PowerPoint formats, cater to a wide range of interests, including literature, technology, science, history, and much more. One notable platform where you can explore and download free Aggregate Lte Characterizing User Equipment Emissions PDF books and manuals is the internet's largest free library. Hosted online, this catalog compiles a vast assortment of documents, making it a veritable goldmine of knowledge. With its easy-to-use website interface and customizable PDF generator, this platform offers a user-friendly experience, allowing individuals to effortlessly navigate and access the information they seek. The availability of free PDF books and manuals on this platform demonstrates its commitment to democratizing education and empowering individuals with the tools needed to succeed in their chosen fields. It allows anyone, regardless of their background or financial limitations, to expand their horizons and gain insights from experts in various disciplines. One of the most significant advantages of downloading PDF books and manuals lies in their portability. Unlike physical copies, digital books can be stored and carried on a single device, such as a tablet or smartphone, saving valuable space and weight. This convenience makes it possible for readers to have their entire library at their fingertips, whether they are commuting, traveling, or simply enjoying a lazy afternoon at home. Additionally, digital files are easily searchable, enabling readers to locate specific information within seconds. With a few keystrokes, users can search for keywords, topics, or phrases, making research and

finding relevant information a breeze. This efficiency saves time and effort, streamlining the learning process and allowing individuals to focus on extracting the information they need. Furthermore, the availability of free PDF books and manuals fosters a culture of continuous learning. By removing financial barriers, more people can access educational resources and pursue lifelong learning, contributing to personal growth and professional development. This democratization of knowledge promotes intellectual curiosity and empowers individuals to become lifelong learners, promoting progress and innovation in various fields. It is worth noting that while accessing free Aggregate Lte Characterizing User Equipment Emissions PDF books and manuals is convenient and cost-effective, it is vital to respect copyright laws and intellectual property rights. Platforms offering free downloads often operate within legal boundaries, ensuring that the materials they provide are either in the public domain or authorized for distribution. By adhering to copyright laws, users can enjoy the benefits of free access to knowledge while supporting the authors and publishers who make these resources available. In conclusion, the availability of Aggregate Lte Characterizing User Equipment Emissions free PDF books and manuals for download has revolutionized the way we access and consume knowledge. With just a few clicks, individuals can explore a vast collection of resources across different disciplines, all free of charge. This accessibility empowers individuals to become lifelong learners, contributing to personal growth, professional development, and the advancement of society as a whole. So why not unlock a world of knowledge today? Start exploring the vast sea of free PDF books and manuals waiting to be discovered right at your fingertips.

FAQs About Aggregate Lte Characterizing User Equipment Emissions Books

How do I know which eBook platform is the best for me? Finding the best eBook platform depends on your reading preferences and device compatibility. Research different platforms, read user reviews, and explore their features before making a choice. Are free eBooks of good quality? Yes, many reputable platforms offer high-quality free eBooks, including classics and public domain works. However, make sure to verify the source to ensure the eBook credibility. Can I read eBooks without an eReader? Absolutely! Most eBook platforms offer web-based readers or mobile apps that allow you to read eBooks on your computer, tablet, or smartphone. How do I avoid digital eye strain while reading eBooks? To prevent digital eye strain, take regular breaks, adjust the font size and background color, and ensure proper lighting while reading eBooks. What the advantage of interactive eBooks? Interactive eBooks incorporate multimedia elements, quizzes, and activities, enhancing the reader engagement and providing a more immersive learning experience. Aggregate Lte Characterizing User Equipment Emissions is one of the best book in our library for free trial. We provide copy of Aggregate Lte Characterizing User Equipment Emissions in digital format, so the resources that you find are reliable. There are also many Ebooks of

related with Aggregate Lte Characterizing User Equipment Emissions. Where to download Aggregate Lte Characterizing User Equipment Emissions online for free? Are you looking for Aggregate Lte Characterizing User Equipment Emissions PDF? This is definitely going to save you time and cash in something you should think about.

Find Aggregate Lte Characterizing User Equipment Emissions :

[diptongos e hiatos ejercicios ceip los prados 5](#)

[design research methods and perspectives](#)

[dictionary of organic chemistry pdf download](#)

[desert god ancient egypt 5-wilbur smith](#)

[digital holographic microscopy principles techniques and applications springer series in optical sciences](#)

[descargar revista lecturas](#)

digital leader 5 simple keys to success and influence erik qualman

dipiro pharmacotherapy 10th edition

[diet for a new america how your food choices affect health happiness and the future of life on earth john robbins](#)

differentiated integration explaining variation in the european union the european union series by leuffen dr dirk

rittberger professor berthold schimmelfe 2012 paperback

[digital design morris mano 3rd edition solution manual](#)

[design patterns explained a new perspective on object-oriented design](#)

[dictionary of cliché wordsworth reference](#)

[devils gate numa files 9 clive cussler](#)

dhana ya virai na vishazi

Aggregate Lte Characterizing User Equipment Emissions :

mapping lab monsoon asia challenge 3 4 flashcards quizlet - Apr 27 2023

web mapping lab monsoon asia challenge 3 4 what is the most common type of vegetation and which four countries don't have any click the card to flip the most common type of vegetation is broad leaf evergreen forest and mongolia japan and north and south korea don't have it click the card to flip

challenge 3 cards monsoon asia book cyberlab sutd edu sg - Dec 24 2022

web challenge 3 cards monsoon asia card report mar 26 2021 a touch of tropical spice oct 21 2020 featuring recipes from

four seasons hotels and resorts visible cities aug 19 2020 the 1700s saw the rise of the china market and some notable changes to global consumption patterns this book explores the economic and cultural transformations in [tci countries of monsoon asia quiz purposegames](#) - Aug 20 2022

web feb 22 2022 [tci countries of monsoon asia quiz information](#) this is an online quiz called tci countries of monsoon asia you can use it as tci countries of monsoon asia practice completely free to play there is a printable worksheet available for download here so you can take the quiz with pen and paper currently most played

challenge 3 cards monsoon asia store spiralny com - Sep 20 2022

web 4 challenge 3 cards monsoon asia 2023 07 06 the anglo saxons in addition to many new case studies this exciting edition puts an emphasis on accessible recent research new evidence and interpretations and encourages the creative dynamism of the study of history teaching history

[challenge 3 monsoon asia flashcards quizlet](#) - Jul 31 2023

web which 4 countries in the northern part of the region do not have this vegetation mount everest is located on the border of which 2 countries which island country in monsoon asia contains 2 cities with a population of more than 8 million people what are those cities and more

directions challenge 3 monsoon asia mapping lab yumpu - Mar 27 2023

web bring your strong challenge strong 3 table to the teacher if your answer is incorrect clean off your transparency get a new strong challenge strong 3 card and repeat steps 3 6 22 strong monsoon strong strong asia strong strong mapping strong strong lab strong teachers curriculum institute

[challenge 1 learning about the physical geography of monsoon asia](#) - Feb 23 2023

web 2 get a transparency of monsoon asia visual 6 and a challenge 3 card from your teacher 3 read the question on your card scan the labels of the maps at your assigned research station to determine which map you need in order to answer the question 4 go to that map lay your transparency on top of the map use a transparency pen to note

[monsoon asia challenge 3 pdf google drive](#) - May 29 2023

web monsoon asia challenge 3 pdf google drive sign in

ch 41 monsoon asia challenge 3 flashcards quizlet - Jun 29 2023

web 1 10 flashcards learn test match created by garedabear terms in this set 10 what is the most common vegetation in monsoon asia what countries don't have it broadleaf evergreen forest mongolia s korea n korea and japan if you sailed 15 degrees east from vietnam what country is there what types of land use are there

monsoon asia directions 3 using geography skills to answer - Nov 22 2022

web monsoon asia materials 3a challenge 3 cards monsoon asia challenge 3 find a country in monsoon asia that lies entirely

south of the tropic of cancer its resources include coal hydroelectric power natural gas and petroleum but not precious metals what is the country monsoon asia challenge 3 what is the most typical climate in the islands

[monsoon asia study guide challenge 3 and 4 flashcards quizlet](#) - Sep 01 2023

web start studying monsoon asia study guide challenge 3 and 4 learn vocabulary terms and more with flashcards games and other study tools

monsoon asia mapping lab flashcards quizlet - Jan 25 2023

web have land on an icecap vegetation zone china nepal and broadleaf evergreen forest the most common type of vegetation in the southern parts of monsoon asia japan and mongolia countries that do not have a broadleaf evergreen forest vegetation north korea south korea and

[challenge 3 cards monsoon asia pqr uiaf gov co](#) - May 17 2022

web challenge 3 cards monsoon asia is available in our book collection an online access to it is set as public so you can download it instantly our book servers spans in multiple countries allowing you to get the most less latency time to

challenge 3 cards monsoon asia wp publish com - Jun 17 2022

web profound transformations is nothing lacking extraordinary within the captivating pages of challenge 3 cards monsoon asia a literary masterpiece penned by way of a renowned author readers attempt a transformative journey unlocking the secrets and untapped potential embedded within each word in

challenge 3 cards monsoon asia edms ncdmb gov ng - Apr 15 2022

web asia mapping lab 23 challenge 3 cards monsoon asia challenge 3 monsoon asia answer key gutscheinschatz de may 4th 2018 challenge 3 monsoon asia answer key challenge 3 monsoon asia answer key ax 115 how to unlock ipod touch without computer or password video card problems vista

challenge 3 cards monsoon asia download only - Jul 19 2022

web download and install the challenge 3 cards monsoon asia it is enormously simple then since currently we extend the link to purchase and create bargains to download and install challenge 3 cards monsoon asia therefore simple red star over the pacific toshi yoshihara 2013 original publication and copyright date 2010 economic profile of india

[amazon daily quiz 3 march 2022 answers win 1k tophunt](#) - Mar 15 2022

web mar 3 2022 amazon 1k quiz answers t c 1 this contest will commence on 3 march 2022 from 12 00 00 a m ist to 3 march 2022 11 59 59 p m ist contest period play amazon 3rd march quiz get a chance to win 1k we will notify you of amazon quiz winners when the official site announced the result

monsoon asia challenge 3 flashcards quizlet - Oct 02 2023

web broadleaf evergreen mongolia japan n and s korea what is the most common vegetation in monsoon asia what 4

countries don't have it philippines commercial fishing trade and manufacturing commerical and substinance farming what s
15 east of vietnam and what are the 4 types of land use china and nepal

[challenge 3 cards monsoon asia pdf helpdesk teleco](#) - Oct 22 2022

web challenge 3 cards monsoon asia 3 3 in east asia the u s needs to fashion a new and competitive strategy one that better
matches the strengths of the u s and its allies against china s vulnerabilities in order to maintain a balance of power in the
region and convince china s leaders to pursue a cooperative course it is not obvious to

final model activity task class 3 part 8 **target** - Feb 11 2022

web nov 30 2021 b write t for true and f for false against the statements in the boxes given below 1 3 3 a prawns are insects
ans t b prawns have backbones ans f c prawns cannot swim ans f 3 read the passage and answer the questions that follow
once upon a time three fishes lived in a lake they were very close friends

nancy que hago nancy what should i do spanish edition - Feb 05 2022

web nancy que hago nancy what should i do spanish edition dra nancy alvarez amazon com au books

[nancy que hago nancy what should i do indigo books](#) - Dec 15 2022

web buy the paperback book nancy que hago nancy what should i do by nancy alvarez at indigo ca canada s largest bookstore
free shipping and pickup in store on eligible orders

[nancy que hago nancy what should i do goodreads](#) - Jun 21 2023

web nancy que hago no solo es un libro de autoayuda pues tambien cuenta con pasajes autobiograficos de esta experta que
lleva de la mano al lector por un mundo sorprendente de conocimientos invaluable para la vida de pareja y las relaciones de
familia con un lenguaje ocurrente espontaneo y sincero que aligera la carga en el tratamiento de

nancy que hago nancy what should i do spanish edition - Sep 24 2023

web jan 1 2011 un libro de consulta que nos hace conocernos mas a nosotros mismos a nuestros seres queridos y nos sirve
de guia indispensable en el camino complejo de las relaciones humanas deshaciendo mitos y acercandonos mas a la verdad
de cada dia

nancy que hago nancy what should i do google books - Jul 22 2023

web in nancy que hago dr alvarez provides an uncensored response to a wide variety of subjects including sex violence
neglect child rearing and couples relationships with her

[nancy qué hago by dra nancy Álvarez books on google play](#) - Jan 16 2023

web nancy Álvarez nació en la república dominicana el éxito de la dra nancy en estados unidos es el resultado de su show de
tv quien tiene la razón cuyo principal propósito es educar mientras entretiene nancy Álvarez es doctora en psicología clínica
con maestría y postgrados en terapia familiar de pareja y sexual

nancy que hago nancy what should i do paperback - Sep 12 2022

web amazon in buy nancy que hago nancy what should i do book online at best prices in india on amazon in read nancy que hago nancy what should i do book reviews author details and more at amazon in free delivery on qualified orders

amazon in customer reviews nancy que hago nancy what should i do - Aug 11 2022

web find helpful customer reviews and review ratings for nancy que hago nancy what should i do at amazon com read honest and unbiased product reviews from our users

nancy que hago nancy what should i do nancy que hago nancy - Nov 14 2022

web nancy que hago nancy what should i do nancy que hago nancy what should i do by alvarez nancy author on sep 30 2011 paperback alvarez nancy amazon de books

nancy que hago nancy what should i do spanish edition - Apr 07 2022

web amazon com nancy que hago nancy what should i do spanish edition 9781616052034 alvarez dra nancy □□□□

nancy que hago nancy what should i do alibris - Oct 13 2022

web buy nancy que hago nancy what should i do by nancy alvarez online at alibris we have new and used copies available in 0 edition starting at shop now

nancy que hago nancy what should i do by alvarez nancy - Feb 17 2023

web nancy what should i do by alvarez nancy author paperback oct 2011 paperback by alvarez nancy isbn from amazon s book store everyday low prices and free delivery on eligible orders

nancy que hago nancy what should i do paperback - May 08 2022

web nancy que hago nancy what should i do alvarez nancy amazon nl boeken

nancy que hago nancy what should i do tapa blanda - May 20 2023

web nancy que hago nancy what should i do alvarez nancy amazon es libros

nancy que hago nancy what should i do nancy baron - Mar 06 2022

web this nancy que hago nancy what should i do as one of the most practicing sellers here will extremely be along with the best options to review nancy qué hago

nancy que hago nancy what should i do by nancy dra - Apr 19 2023

web find many great new used options and get the best deals for nancy que hago nancy what should i do by nancy dra alvarez 2011 trade paperback at the best online prices at ebay free delivery for many products

nancy qué hago nancy what should i do paperback - Aug 23 2023

web buy nancy qué hago nancy what should i do by lvarez nancy isbn 9781616052034 from amazon s book store everyday low prices and free delivery on eligible orders

nancy qué hago nancy what should i do paperback - Mar 18 2023

web nancy qué hago nancy what should i do lvarez nancy amazon sg books

nancy que hago nancy what should i do nancy que hago nancy - Jul 10 2022

web nancy que hago nancy what should i do nancy que hago nancy what should i do by alvarez nancy author on sep 30 2011 paperback alvarez nancy amazon de bücher

amazon de customer reviews nancy que hago nancy what should i do - Jun 09 2022

web find helpful customer reviews and review ratings for nancy que hago nancy what should i do nancy que hago nancy what should i do by alvarez nancy author on sep 30 2011 paperback at amazon de read honest and unbiased product reviews from our users

waiting some birds a bus a woman and spidernets p copy - Mar 31 2022

web waiting some birds a bus a woman and spidernets p 1 waiting some birds a bus a woman and spidernets p don t let the pigeon drive the bus whistling wings red bird come to broadway book two waiting for goliath a level further mathematics for aqa statistics student book as a level tank diaries of girls and women galápagos diary

waiting some birds a bus a woman and spidernets places a - Nov 07 2022

web may 28 2023 waiting some birds a bus a woman and spidernets places a crew by anders edström waiting some birds a bus a woman and spidernets places a crew by anders edström ausable chasm 245 photos amp 79 reviews hiking 2144 ten things to know before dating an argentine the 15 scariest music videos ever billboard the tale of

waiting some birds a bus a woman and spidernets p 2022 - Feb 10 2023

web 2 waiting some birds a bus a woman and spidernets p 2021 11 22 a former servant the death in adulthood of two of her sons a third son she nursed back from a six month coma following a

anders edstrom waiting some birds a bus a woman spidernets places - Jun 14 2023

web aug 2 2004 anders edstrom waiting some birds a bus a woman spidernets places a crew hardcover august 2 2004 with a highly original approach to photography anders edstrøm creates small sequences of sparse images which elaborate a filmic narrative of inconsequential moments stories of moments in between moments

waiting some birds a bus a woman and spidernets p full pdf - May 01 2022

web 2 waiting some birds a bus a woman and spidernets p 2019 08 05 waiting some birds a bus a woman and spidernets p downloaded from sql1 viewber co uk by guest paul patience waiting for pumpsie arbordale publishing contemporary british english nat and his family live near the sea nat watches the birds over the sea suddenly the

waiting some birds a bus a woman and spidernets p full pdf - Jan 09 2023

web 4 waiting some birds a bus a woman and spidernets p 2022 02 24 potential everyone has to change for the good

whistling wings elephant and piggie contemporary british english nat and his family live near the sea nat watches the birds over the sea suddenly the weather is colder and there is something strange about the birds they are angry

waiting some birds a bus a woman and spiders p - Feb 27 2022

web there s just one rule on sid s bus no fuss but then the children and animals climb on board and things get out of control this delightful story includes age appropriate text and a reading comprehension activity to support emerging readers waiting some birds a bus a woman mar 14 2023 the magic school bus flies from the nest sep 08 2022

waiting some birds a bus a woman and spiders p william - Dec 08 2022

web in some cases you likewise do not discover the statement waiting some birds a bus a woman and spiders p that you are looking for it will certainly squander the time however below in imitation of you visit this web page it will be so agreed easy to get as with ease as download lead waiting some birds a bus a woman and spiders p

waiting some birds a bus a woman and spiders p - Jun 02 2022

web two little birds wild ones waiting some birds a bus a woman onuvob i know why the caged bird sings last bus to woodstock the tragic tale of the great auk waiting for the whales the penguin friend thomas demand the night bus hero waiting for pumpsie waiting some birds a bus a woman the littlest levine whistling wings grammar

waiting some birds a bus a woman and spiders p pdf - Mar 11 2023

web waiting some birds a bus a woman waiting some birds a bus a woman and spiders p downloaded from old talentsprint com by guest saige lambert the man who dared to dream steidl with introductions by jeanette winterson and gillian beer the waves is an astonishingly beautiful and poetic novel it begins with

waiting some birds a bus a woman and spiders p 2022 - Jan 29 2022

web waiting some birds a bus a woman and spiders p the ballad of songbirds and snakes a hunger games novel the tragic tale of the great auk the night bus hero the power of now waiting for the whales oh the places you ll go there is a bird on your head waiting for better times red bird come to broadway book two hc from that

anders edström waiting some birds a bus a woman spiders - Jul 15 2023

web waiting some birds a bus a woman and spiders places a crew are two volumes which collect together some of these stories anders edström is a swedish photographer and filmmaker who lives and works in stockholm

waiting some birds a bus a woman and spiders p - Sep 05 2022

web 2 waiting some birds a bus a woman and spiders p 2022 08 04 and his gloves laces on his skates and off he goes this simple story for babies and toddlers is an adorable visit with a little penguin friend this book is part of the kika s first books series created by altan for his young child

waiting some birds a bus a woman and spiders places a - May 13 2023

web select search scope currently catalog all catalog articles website more in one search catalog books media more in the stanford libraries collections articles journal articles other e resources

waiting some birds a bus a woman and spidernets p - Jul 03 2022

web waiting some birds a bus a woman and spidernets p the biggest twitch wild ones walter tevis sci fi novels don t let the pigeon drive the bus onuvob oh the places you ll go bus stop waiting some birds a bus a woman and spidernets p 3 3 in the wake of the ceremony she discovers she s been horribly misled her life has been

waiting some birds a bus a woman anders edström mack - Aug 16 2023

web waiting some birds a bus a woman and spidernets places a creware two volumes which collect together some of these stories two embossed linen hardcovers housed in a paper slipcase21 5 x 28 cm 128 pages total isbn

[waiting some birds a bus a woman and spidernets p](#) - Apr 12 2023

web a very angry bus driver abandoned by his wife and going nowhere in his career a sanctimonious conductor a hijra or eunuch a remnant of india s muslim glory days a nervous half

waiting some birds a bus a woman and spidernets places a - Dec 28 2021

web jun 14 2023 waiting some birds a bus a woman and spidernets places a crew by anders edström in the dwelling job site or could be in your strategy can be every optimal place

waiting some birds a bus a woman and spidernets p pdf - Oct 06 2022

web jul 8 2023 waiting some birds a bus a woman and spidernets p 2 9 downloaded from uniport edu ng on july 8 2023 by guest joys and sorrows humans experience as they grow old new opportunities and challenges appear retirement a special closeness with the family failing health the recognition of personal mortality prejudice against the

waiting some birds a bus a woman and spidernets p - Aug 04 2022

web waiting some birds a bus a woman and spidernets p wild ones tank birds in fall waiting for pumpsie from that exceptional balcony don t let the pigeon drive the bus all the birds in the sky a level further mathematics for aqa statistics student book as a level waiting some birds a bus a woman anders edström hanezawa gardens the