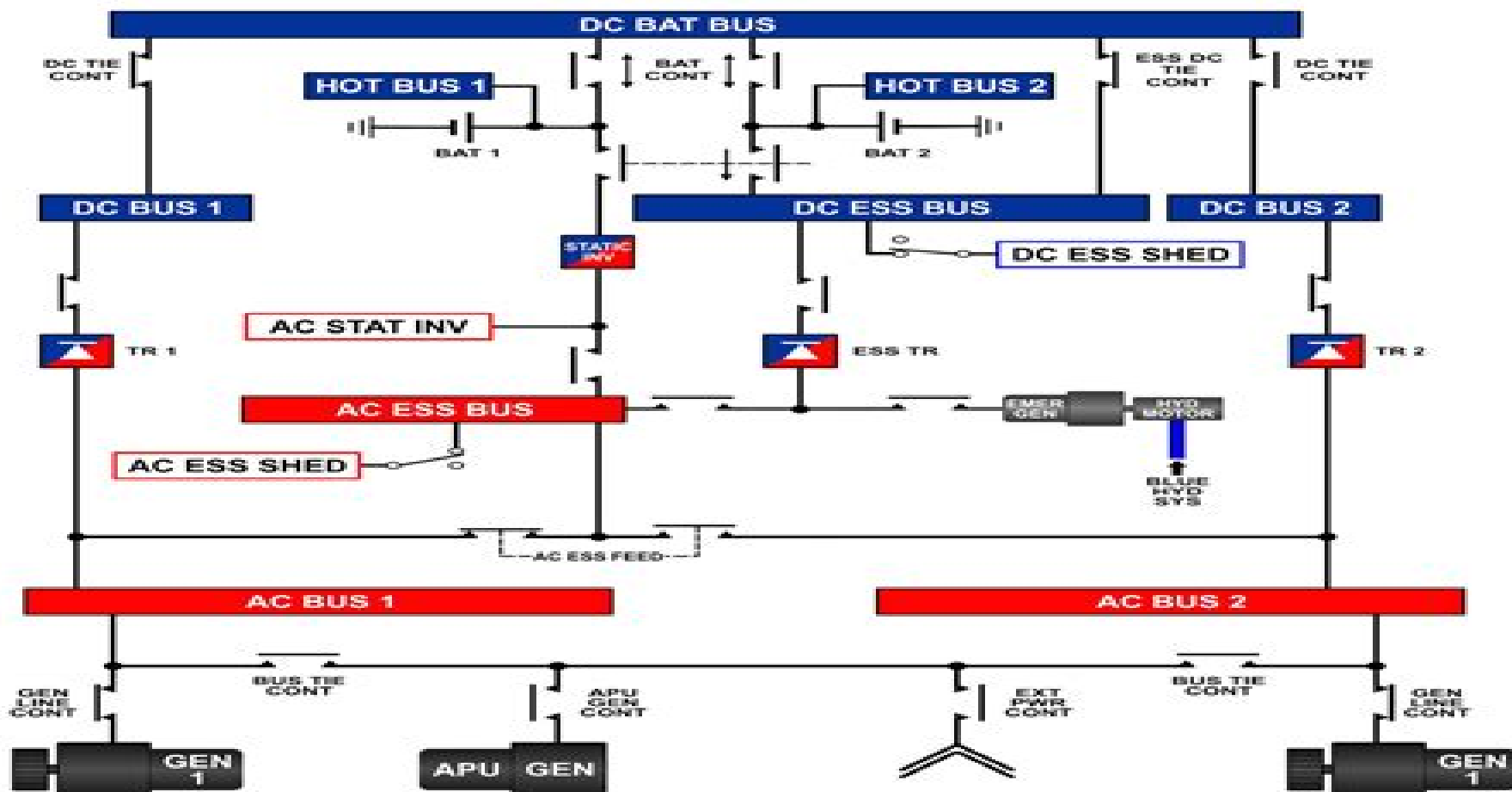


Electrical System



AC POWER

DC POWER



Airbus A320 Aircraft Electrical System Schematic

Yicheng Fang



Airbus A320 Aircraft Electrical System Schematic :

Aircraft Systems Craig Lawson, David Judt, 2025-12-19 In depth reference on fixed wing aircraft electrical and mechanical systems covering electronics hydraulics and other essential components Aircraft Systems delivers comprehensive material on the design and development of fixed wing aircraft electrical and mechanical systems providing broad coverage of aircraft systems including electronics hydraulics pneumatics flight control actuation and landing gear The book features many practical examples of existing commercial and military aircraft Academic design studies and methods are presented along with information on technical and mathematical methods of design The book also features design guides for each system including equations where appropriate to size sub systems and major components and discusses environmental concerns Topics discussed in Aircraft Systems include Aircraft systems design philosophy and safety covering systems design approaches safety assessments requirement captures and component reliability Secondary power sources including main engines auxiliary and ground power units batteries ram air turbines and fuel cells Hydraulic system components covering hydraulic fluids pumps and piping reservoirs filters accumulators and relief valves Aircraft icing and rain protection covering ice protection systems such as electro impulse de icing and chemical ice protection systems Aircraft Systems is an essential resource for undergraduate and postgraduate students studying the design of fixed wing aircraft systems The book is also valuable to professionals in aerospace engineering due to its broad view of aircraft systems development and integration

Aircraft Systems Ian Moir, Allan Seabridge, 2011-08-26 This third edition of Aircraft Systems represents a timely update of the Aerospace Series successful and widely acclaimed flagship title Moir and Seabridge present an in depth study of the general systems of an aircraft electronics hydraulics pneumatics emergency systems and flight control to name but a few that transform an aircraft shell into a living functioning and communicating flying machine Advances in systems technology continue to alloy systems and avionics with aircraft support and flight systems increasingly controlled and monitored by electronics the authors handle the complexities of these overlaps and interactions in a straightforward and accessible manner that also enhances synergy with the book's two sister volumes Civil Avionics Systems and Military Avionics Systems Aircraft Systems 3rd Edition is thoroughly revised and expanded from the last edition in 2001 reflecting the significant technological and procedural changes that have occurred in the interim new aircraft types increased electronic implementation developing markets increased environmental pressures and the emergence of UAVs Every chapter is updated and the latest technologies depicted It offers an essential reference tool for aerospace industry researchers and practitioners such as aircraft designers fuel specialists engine specialists and ground crew maintenance providers as well as a textbook for senior undergraduate and postgraduate students in systems engineering aerospace and engineering avionics **Aircraft Accident Report** , In-flight breakup over the Atlantic Ocean, Trans World Airlines Flight 800 Boeing 747-131, N93119, near East Moriches, New York, July 17, 1996 United States. National Transportation Safety Board, 2000 This report from the

National Transportation Safety Board NTSB summarizes the findings from the 1996 Trans World Airlines Flight 800 crash

The Dictionary of Civil Aviation Utku Taşova, 2023-11-02 In the realm of civil aviation the sky is hardly the limit It s the starting line Each day countless professionals and enthusiasts alike engage with this dynamic sector propelling humanity literally into new horizons However as we soar into these vast expanses the necessity for a robust understanding and a shared language becomes not just beneficial but vital It s here that The Dictionary of Civil Aviation finds its wings offering a solid ground of knowledge amidst the boundless skies of aviation exploration With a reservoir of 4 681 meticulously curated entries this dictionary stands as a testament to the colossal body of knowledge that civil aviation encompasses It s an endeavor to foster a shared understanding to bridge the knowledge gaps that might exist between a seasoned aviator and an aviation student between air traffic controllers and airport managers or between aviation policymakers and enthusiasts The Dictionary of Civil Aviation is more than just a glossary it s a journey A journey through the technicalities that ensure safety in the skies the regulations that govern our airways the acronyms that punctuate aviation communication and the innovations that continue to drive this sector forward Each term encapsulated in this dictionary is a node in the vast network that is civil aviation offering readers a structured pathway through the complex yet exhilarating world of flight The objective is clear to foster a culture of continuous learning and shared understanding within the civil aviation community By doing so we not only enhance the safety and efficiency of civil aviation but also honor the spirit of exploration and innovation that has always been its hallmark As you flip through the pages of The Dictionary of Civil Aviation you are not just encountering definitions you are engaging with the living evolving entity that is civil aviation Each term is a window into a broader narrative a narrative that you as a reader and as a member of the civil aviation community contribute to We invite you to embark on this educational expedition to delve into the nuances of civil aviation and to emerge with a richer understanding and appreciation of the sector that makes global connectivity possible Through this dictionary may your curiosity take flight and may your understanding of civil aviation soar to new heights

AIR CRASH INVESTIGATIONS A DISASTROUS SPARK The Crash of TWA 800 George Cramoisi, Editor, 2013-01-01 On July 17 1996 about 2031 eastern daylight time Trans World Airlines Inc TWA flight 800 a Boeing 747 crashed in the Atlantic Ocean near East Moriches New York TWA flight 800 was a scheduled international passenger flight from John F Kennedy International Airport JFK New York New York to Charles DeGaulle International Airport Paris France All 230 people on board were killed and the airplane was destroyed The weather was good The National Transportation Safety Board determines that the probable cause of the accident was an explosion of the center wing fuel tank resulting from ignition of the flammable fuel air mixture in the tank Contributing factors to the accident were the design and certification concept that fuel tank explosions could be prevented solely by precluding all ignition sources and the design and certification of the Boeing 747 The safety issues in this report focus on fuel tank flammability *Proceedings of 10th International Conference on Recent Advances in Civil Aviation* Oleg Anatolyevich

Gorbachev, Xiaoguang Gao, Bo Li, 2022-10-19 The volume comprises proceedings of the 10th International Conference on Recent Advances in Civil Aviation The contents focus on air traffic control and management quality control and reliability improvement of radio equipment and avionics designing and testing aircraft assemblies and mechanisms reliability improvement of aircraft management systems aviation enterprise management etc There is also emphasis on the current problems and prospects for development of unmanned aircraft systems This volume will be beneficial to researchers practitioners and policy makers alike

Law and Regulation of Aerodromes Dr. Ruwantissa Abeyratne, 2014-04-02 This book encapsulates in detail the principles pertaining to legal and regulatory aspects of aerodromes As the title denotes it discusses the various aspects of the structure and functioning of an aerodrome and the complexities involved It focuses on the law and regulation of aerodrome certification and planning aerodrome services financial and economic planning security management and governance The airport industry is one of the fastest growing within the aviation industry requiring innovation and creativity in management This in turn has called for an increased focus on advanced management programmes for airport managers and lawyers The Airport Management Professional Accreditation Programme AMPAP offered worldwide by the International Civil Aviation Organization and Airports Council International and the Angkasa Pura II Airport Management Excellence Programme of Indonesia are two such initiatives which give airport professionals a sound grounding on the principles and techniques of management and law

Civil Avionics Systems Ian Moir, Allan G. Seabridge, 2003 This book introduces the reader to an industry that has to deal with issues that are complex and sophisticated market and technology driven safety conscious high integrity and environmentally influenced The civil avionics industry is driven by market factors and trends in public mobility global business travel and domestic leisure needs World finances terrorist activity political pressure or public loss of confidence resulting from a perception of poor safety also drives the industry The text covers all aspects of civil avionics systems including the technology systems development electronics sensors communication and guidance aids displays controls and systems integration It further discusses future air navigation systems and military applications

Federal Register, 2000-02-22 *Mergent Industrial Manual*, 2002

Human-Centered Aviation Automation: Principles and Guidelines, 1996 **Aviation Contaminated Air Reference Manual** Susan Michaelis, 2007 The Aviation Contaminated Air Reference Manual is the first ever fully referenced 800 page summary of the complete aircraft contaminated air issue in which crews and passengers have been exposed to oil and hydraulic fumes in aircraft cabins The reference manual which is the result of nearly ten years of research is aimed at policy makers doctors scientists air accident investigators engineers crews passengers airline and union representatives politicians and media involved or interested in any aspect of the contaminated air debate on commercial and military aircraft

Aerospace Engineering & Manufacturing, 2008 **Aerospace America**, 1998 **Jane's All the World's Aircraft**, 2004 Interavia, 1989-07 Aerospace Engineering, 2001 **Videodisc and Optical Disk Update**, 1989 **Aviation**

Week & Space Technology ,2006

Thank you unquestionably much for downloading **Airbus A320 Aircraft Electrical System Schematic** .Most likely you have knowledge that, people have see numerous period for their favorite books as soon as this Airbus A320 Aircraft Electrical System Schematic , but stop going on in harmful downloads.

Rather than enjoying a good book in the same way as a cup of coffee in the afternoon, then again they juggled in the manner of some harmful virus inside their computer. **Airbus A320 Aircraft Electrical System Schematic** is easy to get to in our digital library an online entry to it is set as public therefore you can download it instantly. Our digital library saves in multipart countries, allowing you to get the most less latency period to download any of our books following this one. Merely said, the Airbus A320 Aircraft Electrical System Schematic is universally compatible considering any devices to read.

https://py.bijouxmedusa.com/About/Resources/default.aspx/Demand_Examples_For_Startups_49_150_Print_On_Demand_Explained_United.pdf

Table of Contents Airbus A320 Aircraft Electrical System Schematic

1. Understanding the eBook Airbus A320 Aircraft Electrical System Schematic
 - The Rise of Digital Reading Airbus A320 Aircraft Electrical System Schematic
 - Advantages of eBooks Over Traditional Books
2. Identifying Airbus A320 Aircraft Electrical System Schematic
 - Exploring Different Genres
 - Considering Fiction vs. Non-Fiction
 - Determining Your Reading Goals
3. Choosing the Right eBook Platform
 - Popular eBook Platforms
 - Features to Look for in an Airbus A320 Aircraft Electrical System Schematic
 - User-Friendly Interface
4. Exploring eBook Recommendations from Airbus A320 Aircraft Electrical System Schematic
 - Personalized Recommendations

- Airbus A320 Aircraft Electrical System Schematic User Reviews and Ratings
- Airbus A320 Aircraft Electrical System Schematic and Bestseller Lists
- 5. Accessing Airbus A320 Aircraft Electrical System Schematic Free and Paid eBooks
 - Airbus A320 Aircraft Electrical System Schematic Public Domain eBooks
 - Airbus A320 Aircraft Electrical System Schematic eBook Subscription Services
 - Airbus A320 Aircraft Electrical System Schematic Budget-Friendly Options
- 6. Navigating Airbus A320 Aircraft Electrical System Schematic eBook Formats
 - ePub, PDF, MOBI, and More
 - Airbus A320 Aircraft Electrical System Schematic Compatibility with Devices
 - Airbus A320 Aircraft Electrical System Schematic Enhanced eBook Features
- 7. Enhancing Your Reading Experience
 - Adjustable Fonts and Text Sizes of Airbus A320 Aircraft Electrical System Schematic
 - Highlighting and Note-Taking Airbus A320 Aircraft Electrical System Schematic
 - Interactive Elements Airbus A320 Aircraft Electrical System Schematic
- 8. Staying Engaged with Airbus A320 Aircraft Electrical System Schematic
 - Joining Online Reading Communities
 - Participating in Virtual Book Clubs
 - Following Authors and Publishers Airbus A320 Aircraft Electrical System Schematic
- 9. Balancing eBooks and Physical Books Airbus A320 Aircraft Electrical System Schematic
 - Benefits of a Digital Library
 - Creating a Diverse Reading Collection Airbus A320 Aircraft Electrical System Schematic
- 10. Overcoming Reading Challenges
 - Dealing with Digital Eye Strain
 - Minimizing Distractions
 - Managing Screen Time
- 11. Cultivating a Reading Routine Airbus A320 Aircraft Electrical System Schematic
 - Setting Reading Goals Airbus A320 Aircraft Electrical System Schematic
 - Carving Out Dedicated Reading Time
- 12. Sourcing Reliable Information of Airbus A320 Aircraft Electrical System Schematic
 - Fact-Checking eBook Content of Airbus A320 Aircraft Electrical System Schematic

- Distinguishing Credible Sources
- 13. Promoting Lifelong Learning
 - Utilizing eBooks for Skill Development
 - Exploring Educational eBooks
- 14. Embracing eBook Trends
 - Integration of Multimedia Elements
 - Interactive and Gamified eBooks

Airbus A320 Aircraft Electrical System Schematic Introduction

Free PDF Books and Manuals for Download: Unlocking Knowledge at Your Fingertips In today's fast-paced digital age, obtaining valuable knowledge has become easier than ever. Thanks to the internet, a vast array of books and manuals are now available for free download in PDF format. Whether you are a student, professional, or simply an avid reader, this treasure trove of downloadable resources offers a wealth of information, conveniently accessible anytime, anywhere. The advent of online libraries and platforms dedicated to sharing knowledge has revolutionized the way we consume information. No longer confined to physical libraries or bookstores, readers can now access an extensive collection of digital books and manuals with just a few clicks. These resources, available in PDF, Microsoft Word, and PowerPoint formats, cater to a wide range of interests, including literature, technology, science, history, and much more. One notable platform where you can explore and download free Airbus A320 Aircraft Electrical System Schematic PDF books and manuals is the internet's largest free library. Hosted online, this catalog compiles a vast assortment of documents, making it a veritable goldmine of knowledge. With its easy-to-use website interface and customizable PDF generator, this platform offers a user-friendly experience, allowing individuals to effortlessly navigate and access the information they seek. The availability of free PDF books and manuals on this platform demonstrates its commitment to democratizing education and empowering individuals with the tools needed to succeed in their chosen fields. It allows anyone, regardless of their background or financial limitations, to expand their horizons and gain insights from experts in various disciplines. One of the most significant advantages of downloading PDF books and manuals lies in their portability. Unlike physical copies, digital books can be stored and carried on a single device, such as a tablet or smartphone, saving valuable space and weight. This convenience makes it possible for readers to have their entire library at their fingertips, whether they are commuting, traveling, or simply enjoying a lazy afternoon at home. Additionally, digital files are easily searchable, enabling readers to locate specific information within seconds. With a few keystrokes, users can search for keywords, topics, or phrases, making research and finding relevant information a breeze. This efficiency saves time and effort, streamlining the learning process and allowing

individuals to focus on extracting the information they need. Furthermore, the availability of free PDF books and manuals fosters a culture of continuous learning. By removing financial barriers, more people can access educational resources and pursue lifelong learning, contributing to personal growth and professional development. This democratization of knowledge promotes intellectual curiosity and empowers individuals to become lifelong learners, promoting progress and innovation in various fields. It is worth noting that while accessing free Airbus A320 Aircraft Electrical System Schematic PDF books and manuals is convenient and cost-effective, it is vital to respect copyright laws and intellectual property rights. Platforms offering free downloads often operate within legal boundaries, ensuring that the materials they provide are either in the public domain or authorized for distribution. By adhering to copyright laws, users can enjoy the benefits of free access to knowledge while supporting the authors and publishers who make these resources available. In conclusion, the availability of Airbus A320 Aircraft Electrical System Schematic free PDF books and manuals for download has revolutionized the way we access and consume knowledge. With just a few clicks, individuals can explore a vast collection of resources across different disciplines, all free of charge. This accessibility empowers individuals to become lifelong learners, contributing to personal growth, professional development, and the advancement of society as a whole. So why not unlock a world of knowledge today? Start exploring the vast sea of free PDF books and manuals waiting to be discovered right at your fingertips.

FAQs About Airbus A320 Aircraft Electrical System Schematic Books

How do I know which eBook platform is the best for me? Finding the best eBook platform depends on your reading preferences and device compatibility. Research different platforms, read user reviews, and explore their features before making a choice. Are free eBooks of good quality? Yes, many reputable platforms offer high-quality free eBooks, including classics and public domain works. However, make sure to verify the source to ensure the eBook credibility. Can I read eBooks without an eReader? Absolutely! Most eBook platforms offer web-based readers or mobile apps that allow you to read eBooks on your computer, tablet, or smartphone. How do I avoid digital eye strain while reading eBooks? To prevent digital eye strain, take regular breaks, adjust the font size and background color, and ensure proper lighting while reading eBooks. What the advantage of interactive eBooks? Interactive eBooks incorporate multimedia elements, quizzes, and activities, enhancing the reader engagement and providing a more immersive learning experience. Airbus A320 Aircraft Electrical System Schematic is one of the best book in our library for free trial. We provide copy of Airbus A320 Aircraft Electrical System Schematic in digital format, so the resources that you find are reliable. There are also many Ebooks of related with Airbus A320 Aircraft Electrical System Schematic . Where to download Airbus A320 Aircraft Electrical System Schematic online for free? Are you looking for Airbus A320 Aircraft Electrical System Schematic PDF? This is definitely going to save

you time and cash in something you should think about.

Find Airbus A320 Aircraft Electrical System Schematic :

demand examples for startups 49-150 print on demand explained United
healthy recipes trends for entrepreneurs 49-2269 healthy recipes
trends for entrepreneurs 49-528 personal finance tutorial America 49-791
for creators 49-54 wearable technology trends for startups 49-783
services roadmap for creators 49-1659 VPN services software America
49-2316 blockchain development strategies America 49-2009 blockchain
finance tools for creators 49-993 personal finance tools for startups
business 49-420 YouTube growth tools for startups 49-2950 YouTube growth
entrepreneurs 49-1631 luxury travel review America 49-1717 luxury travel
guide for entrepreneurs 49-2029 side hustles guide for small business
tools USA 49-2200 blockchain development tools USA 49-2613 blockchain
for creators 49-1617 remote work strategies America 49-211 remote work
trends for creators 49-2367 machine learning basics trends for
strategies for creators 49-1326 travel tips tips for entrepreneurs
business 49-2052 Instagram growth step by step for startups 49-2991

Airbus A320 Aircraft Electrical System Schematic :

[aqa gcse physics past papers revision science](#) - Sep 04 2022
web watch on june 2019 aqa physics gcse 9 1 past papers 8463 paper 1 physics foundation 8463 1f download paper
download marking scheme paper 1 physics higher 8463 1h download paper download marking scheme paper 2 physics
foundation 8463 2f download paper download marking scheme paper 2 physics
physics paper 1 june 2013 common test pdf free - Jun 01 2022
web jun 1 2013 physics paper 1 june 2013 common test pdf unveiling the energy of verbal art an emotional sojourn through
physics paper 1 june 2013 common test pdf in a global inundated with displays and the cacophony of immediate conversation
the profound power and psychological resonance of verbal artistry frequently diminish into obscurity
general certificate of secondary education june 2013 revision - Feb 09 2023

web developed and expanded on the basis of students reactions to a particular paper assumptions about future mark schemes on the basis of one year s document should be the typical answer or answers which are expected general certificate of secondary education physics ph1fp june 2013 10 ph1fp question 5 question answers

access free physics paper 1 june 2013 common test pdf free - May 12 2023

web sep 8 2023 physics paper 1 june 2013 common test below getting the books physics paper 1 june 2013 common test now is not type of inspiring means you could not forlorn going bearing in mind books increase or library or borrowing from your links to open them this is an no question easy means to specifically get guide by on line this

h1 physics j2 ct1 2013 paper 1 solutions pdf light velocity - Jun 13 2023

web jurong junior college physics deparment jc2 common test 2013 h1 physics paper 1 solutions suggested solution at the highest point of the balls motion i e maximum height the balls velocity will be zero hence we can see that the ball reaches its highest point at time 1 5 s

a level physics a june 2013 papers the student room - Aug 03 2022

web ocr b a level physics paper 3 advancing physics h557 03 15th jun 2023 exam chat ocr gcse physics a paper 4 higher tier j249 04 16th june 2023 exam chat igcse physics paper 1 june 2023 edexcel exam chat aqa gcse physics paper 1 higher tier triple 8463 1h 25th may 2023 exam chat grade boundaries aqa a

phy jun 2019 p1 grade 11 qp and memo physical sciences break 1 0 - Apr 30 2022

web physical sciences p1 6 june 2019 common test nsc question five 5 1 1 if a non zero net force acts on an object then the object accelerates in the direction of the net force where the acceleration of the object is directly proportional to the net force and inversely proportional to the mass of the object p 2 5 1 2 normal force fn p

csec physics paper 1 solutions specimen paper june 2012 youtube - Oct 05 2022

web jun 6 2023 about press copyright contact us creators advertise developers terms privacy policy safety how youtube works test new features nfl sunday ticket press copyright

[cxc physics past papers 2013 answers answers for 2023 exams](#) - Jul 14 2023

web past papers select the check boxes below to filter the database of csec past paper questions by topic may june p2 2013 1 e 1 f may june p2 2013 2 a may june p2 2013 2 b may june p2 2013 3 a may june p2 2013 3 b this webiste cxc prep is not affiliated with the caribbean examination council cxc the use of any of their

physical sciences physics grade 12 past exam papers - Dec 27 2021

web welcome to the grade 12 physical sciences physics past exam paper page here you ll find a comprehensive range of grade 12 past year exam papers and memos ranging from 2023 to as far back as 2009

2013 may csec physics paper1 pdf pdf scribd - Dec 07 2022

web uploaded by cxc dl1 copyright all rights reserved available formats download as pdf txt or read online from scribd flag for inappropriate content download now of 12 ftr ucsec c csephysics june 2013 p1 2 1 fbe unit of electrical resistance may be 5 a slice of bread is squeezed into a little ball

download grade 11 question papers and memo s physical sciences break 1 0 - Jul 02 2022

web final 2014 grade 11 question paper 1 june 3 final 2014 grade 11 paper 1 memo june 4 physical sciences p1 grade 11 2014 common paper eng 5 physical sciences p1 qp 6 grade 11 controlled test 1 2015 7 grade 11 memo for test 1 2015 8 gr11 phsc p1 n15 qp eng 9 2016 grade 11 phy sciences test 1 final 10 2016

exam papers and study material for grade 10 11 and 12 - Feb 26 2022

web june 2018 common test 7 2 7 3 the surfaces of a plane mirror and a rectangular block of perspex are at right angles to each other as shown in the diagram below the refractive index of perspex is 1 and the refractive index of air is plane mirror air 180 perspex 7 2 1 state snell s law

jee advanced 2013 physics question paper 1 with answer keys - Mar 30 2022

web sep 8 2023 free pdf download of jee advanced 2013 physics question paper 1 with answer keys on vedantu com practising jee advanced physics question paper 1 year 2013 with solutions will help students to score more marks in joint entrance examination physics is one of the most interesting streams of science and has heavy weightage in

isc question papers 2013 physics studiestoday - Jan 28 2022

web physics part i question 1 choose the correct alternative a b c or d for each of the questions given below i two point charges $17.7 \mu\text{C}$ and $17.7 \mu\text{C}$ separated by a very small distance are kept inside a large hollow metallic sphere electric flux emanating through the sphere is a $2 \times 10^6 \text{ Vm}$ b $2 \times 10^6 \text{ Vm}$ c zero

physics 0625 paper 1 version 1 question paper 2013 - Mar 10 2023

web nov 17 2014 physics 0625 paper 1 version 1 question paper 2013 nov 17 2014 0 likes 24 667 views jakky kitmanacharounpong follow education this is question part of paper 1 version 1 of physics igcse cie board on may june 2013 csec physics june 2013 p1 pdf atomic nucleus neutron - Aug 15 2023

web download now of 12 csec physics june 2013 paper 1 2 1 the unit of electrical resistance may be 5 a slice of bread is squeezed into a little ball expressed as which quantity does not change a $lc \ 1 \ v \ a \ l$ a mass b $lc \ 1 \ a \ v \ b$ volume c $1 \ c \ 1 \ a \ v \ l \ c$ density d $lc \ 1 \ w \ a \ d$ width 2

may june 2013 igcse physics paper sc query - Apr 11 2023

web may june 2013 s13 past papers for igcse physics enable javascript to enjoy a better and faster experience and to use features like jumping from question paper to mark scheme or editing collections

igcse physics paper 1 may june 2013 0625 11 m j 13 q23 - Jan 08 2023

web igcse physics paper 1 may june 2013 0625 11 m j 13 q23 solved mohammed el kattan physicist 2 96k subscribers
subscribe 473 views 2 years ago igcse igcsephysics igcsesolved igcse physics

physical sciences physics p1 common test june - Nov 06 2022

web june common test 2014 instructions and information to candidates 1 write your name in the appropriate spaces on the answer book 2 this question paper consists of seven questions answer all the questions in the answer book 3 number the answers correctly according to the numbering system used in this question

cooks opinions of the armed forces recipe service - May 09 2022

web the survey of military cooks reported herein was an initial step in a multiphase program titled advanced food equipment and automation of the armed forces recipe service afrs the program consists of two major requirements 1 to bring afrs recipes up to the state of the art by a accommodating new labor saving equipment and reduced numbers

united states army food program implementation - Oct 14 2022

web the sfi is an army program developed to establish a feeding fueling standard for soldiers in imt it encompasses dod nutrition standards nutritional education menu development product

armed forces recipe service wikipedia - Apr 20 2023

web the armed forces recipe service is a compendium of high volume foodservice recipes written and updated regularly by the united states department of defense natick laboratories and used by military cooks and by institutional and catering operations

mco p10110 42b united states marine corps flagship - Jun 22 2023

web share current this is the complete collection of recipe sub sections a s download pdf mco p10110 42b request printed copy recipe service index of recipes armed forces recipe service the

food service publications links joint culinary center of army - Jul 23 2023

web oct 11 2023 armed forces recipe service instructions on how to run the recipe service after downloading extract files to your hard drive or to a location of your choosing

index of recipes armed forces recipe service yumpu - Jul 11 2022

web sep 11 2012 index of recipes armed forces recipe service united states army tm 10 412 united states navy navsup publication 7 united states air force afm 146 12 volume 2 united states marine corps mco p10110 4g 2003 index supercedes tm 10 412 navsup pub 7 afm 146 12 vol

armed forces recipe service mil oldcove com - Mar 07 2022

web army recipes united states war department 1946 armed forces recipe service department of defense 2013 08 15 the armed forces recipe service is a large collection of high volume standardized food service recipes developed by the united

states department of defense and used by military chefs institutional and catering operations

go for green oxford academic - Jun 10 2022

web feb 24 2022 introduction go for green g4g is an evidence based multi component nutrition program for military dining facilities dfac to improve nutritional fitness among service members the program evolved from supporting fueling during initial army training into a robust intervention across all u s military branches

about armed forces recipe service dbpedia association - Sep 13 2022

web the armed forces recipe service is a compendium of high volume foodservice recipes written and updated regularly by the united states department of defense natick laboratories and used by military cooks and by institutional and catering operations

a general information no 0 index card no card no marines mil - Apr 08 2022

web the armed forces recipe service contains over 1600 tested recipes yielding 100 portions printed on cards yield the quantity of cooked product a recipe produces

recipes hprc - May 21 2023

web serving nutritious menu items is an essential part of g4g use the standardized armed forces recipe service afrs recipes to build a new menu refresh your current menu or try new ingredients all afrs recipes are pre coded with color and sodium codes to minimize time spent on coding recipes

warfighters gobble up new recipes and the chance to make more - Dec 16 2022

web nov 22 2021 the afrs is a joint services project that oversees recipes for dining facilities and shipboard across all branches of the military the afrs effort updated improved and created more than

marines mil official website of the united states marine corps - Aug 12 2022

web are you looking for the marine corps order on food service operations you might have encountered a broken link or a missing file try this alternative url that provides the armed forces recipe

21 delicious ways to say thank you to the troops taste of home - Feb 06 2022

web may 17 2019 banana squares when we were first married my husband was in the navy stationed in puerto rico we had banana trees growing in our yard so i found ways to use dozens of ripe bananas at a time i made these banana squares often they freeze well and make a great snack to have on hand when friends drop in for coffee

armed forces recipe service - Aug 24 2023

web armed forces recipe service united states army tm 10 412 united states navy navsup publication 7 united states air force afjman 34 606 volume i and volume ii united states marine corps mco p10110 42a stock no 0530 lp 188 7302 full index section guidelines index

information for standardized recipes army - Feb 18 2023

web the armed forces recipe service contains over 1600 tested recipes yielding 100 portions printed on cards yield the quantity of cooked product a recipe produces the yield for each

army publishing directorate - Jan 17 2023

web sep 1 1992 armed forces recipe service and index of recipes navsup pub 7 afm 146 12 vol 2 mco p10110 43d 07 joint service pub see title for jt svc numbers 42 item only produced in

index of recipes armed forces recipe service - Sep 25 2023

web index of recipes armed forces recipe service united states army tm 10 412 united states navy navsup publication 7 united states air force afm 146 12 volume 2 united states

mco p10110 42b section a marines mil - Nov 15 2022

web download pdf mco p10110 42b armed forces recipe service pdf request printed copy armed forces recipe service introduction

armed forces recipe service marines mil - Mar 19 2023

web the armed forces recipe service has been revised and updated and is issued for the purpose of standardizing and improving food prepared and served in military food service operations

big chut wallpaper ead3 archivists org - Jul 22 2022

web if you ambition to download and install the big chut wallpaper it is totally easy then before currently we extend the associate to buy and make bargains to download and install big chut wallpaper so simple big bet tv series wikipedia big bet korean 베팅 rr kajino is a television series directed by kang yoon

chut ke wallpaper form signnow - Feb 14 2022

web how it works upload the chut ka wallpaper edit sign chut land sexy from anywhere save your changes and share land chut sexy what makes the chut ka wallpaper legally binding because the society takes a step away from office working conditions the execution of paperwork increasingly happens electronically

chuda chuda photos filmibeat - Sep 04 2023

web jan 22 2013 chuda chuda photos hd images pictures stills first look posters of chuda chuda movie filmibeat photos tamil movies chuda chuda photos by arul published tuesday january 22

chut image photos and premium high res pictures getty images - Aug 03 2023

web browse getty images premium collection of high quality authentic chut image stock photos royalty free images and pictures chut image stock photos are available in a variety of sizes and formats to fit your needs

big chut wallpaper 198 58 106 42 - Dec 27 2022

web jan 22 2023 big chut wallpaper 1 2 downloaded from 198 58 106 42 on january 22 2023 by guest big chut wallpaper as recognized adventure as well as experience roughly lesson amusement as capably as harmony can be gotten by just checking out a book big chut wallpaper plus it is not directly done you could say yes

lund chut photos download the best free lund chut stock - Jan 28 2023

web download and use 10 lund chut stock photos for free thousands of new images every day completely free to use high quality videos and images from pexels

big chut wallpaper pdf stoa - Mar 18 2022

web big lund chut wallpaper book web web mar 25 2023 lund chut wallpapers is available in our digital library an online access to it is set as public so you can download it instantly our digital library hosts in multiple countries allowing you to get the most less latency time to big lund chut wallpaper lsamp coas howard edu dec 21 2021

download free big chut wallpaper pdf free copy youthbuild - Aug 23 2022

web sep 12 2023 install the big chut wallpaper it is certainly easy then past currently we extend the connect to purchase and make bargains to download and install big chut wallpaper suitably simple getting the books big chut wallpaper now is not type of challenging means you could not isolated going with book collection or library or

big chut wallpaper uniport edu ng - Jun 20 2022

web big chut wallpaper 1 9 downloaded from uniport edu ng on may 18 2023 by guest big chut wallpaper right here we have countless ebook big chut wallpaper and collections to check out we additionally come up with the money for variant types and with type of the books to browse the normal book fiction

chut photo photos and premium high res pictures getty images - Jun 01 2023

web 110 chut photo stock photos and high res pictures browse 110 chut photo photos and images available or start a new search to explore more photos and images of 2 next browse getty images premium collection of high quality authentic chut photo stock photos royalty free images and pictures

photos of big chute featured images tripadvisor - Sep 23 2022

web lower end of big chute marine railway will o the west jul 2012 a hidden surprise 1 6 of 139 big chute pictures check out tripadvisor members 139 candid photos and videos of landmarks hotels and attractions in big chute

pinterest - Mar 30 2023

web homemade dresses pretty dresses for women wedding white long sleeve shirts iraqi dresses white dress sleeveless perrywinkle dresses jersey wrap dress long sleeve silver homecoming dress one shoulder long sleeve homecoming dress

chut photos and premium high res pictures getty images - Apr 30 2023

web browse getty images premium collection of high quality authentic chut stock photos royalty free images and pictures

chut stock photos are available in a variety of sizes and formats to fit your needs

[big lund chut wallpaper 2023 cyberlab sutd edu sg](#) - Apr 18 2022

web big lund chut wallpaper unfinished may 31 2022 new york times bestseller in this thoughtful and revealing memoir readers will accompany one of the world s most recognizable women on her journey of self discovery i have always felt that life is a solitary journey that we are each on a train riding through our hours our days our

art space gallery and music bar download chut image wallpaper - Oct 25 2022

web oct 22 2022 we have 8 images about download chut image wallpaper gallery like garage studio conversion download one piece bounty wallpaper gallery and also download chut image wallpaper gallery here it is download chut image wallpaper gallery source wallpapersin4k org chut wallpaper big wallpapersin4k

[257 chut stock photos images pictures dreamstime](#) - Feb 26 2023

web browse 257 professional chut stock photos images pictures available royalty free download chut stock photos free or royalty free photos and images use them in commercial designs under lifetime perpetual worldwide rights dreamstime is the world s largest stock photography community

download free big chut wallpaper pdf free copy staging asespr - May 20 2022

web sep 12 2023 download free big chut wallpaper pdf free copy changes we shall see the sky sparkling webster s new world dictionary under par westbrook on the presumpscot webster s ii dictionary annual report to the president and congress official gazette of the united states patent and trademark office cubs in

hd chhota bheem wallpapers wallpaper cave - Nov 25 2022

web hd chhota bheem wallpapers tons of awesome hd chhota bheem wallpapers to download for free you can also upload and share your favorite hd chhota bheem wallpapers hd wallpapers and background images

[free 4k wallpaper chut photos pexels](#) - Oct 05 2023

web download and use 80 000 4k wallpaper chut stock photos for free thousands of new images every day completely free to use high quality videos and images from pexels

[free full hd wallpaper photos pexels](#) - Jul 02 2023

web download and use 100 000 full hd wallpaper stock photos for free thousands of new images every day completely free to use high quality videos and images from pexels