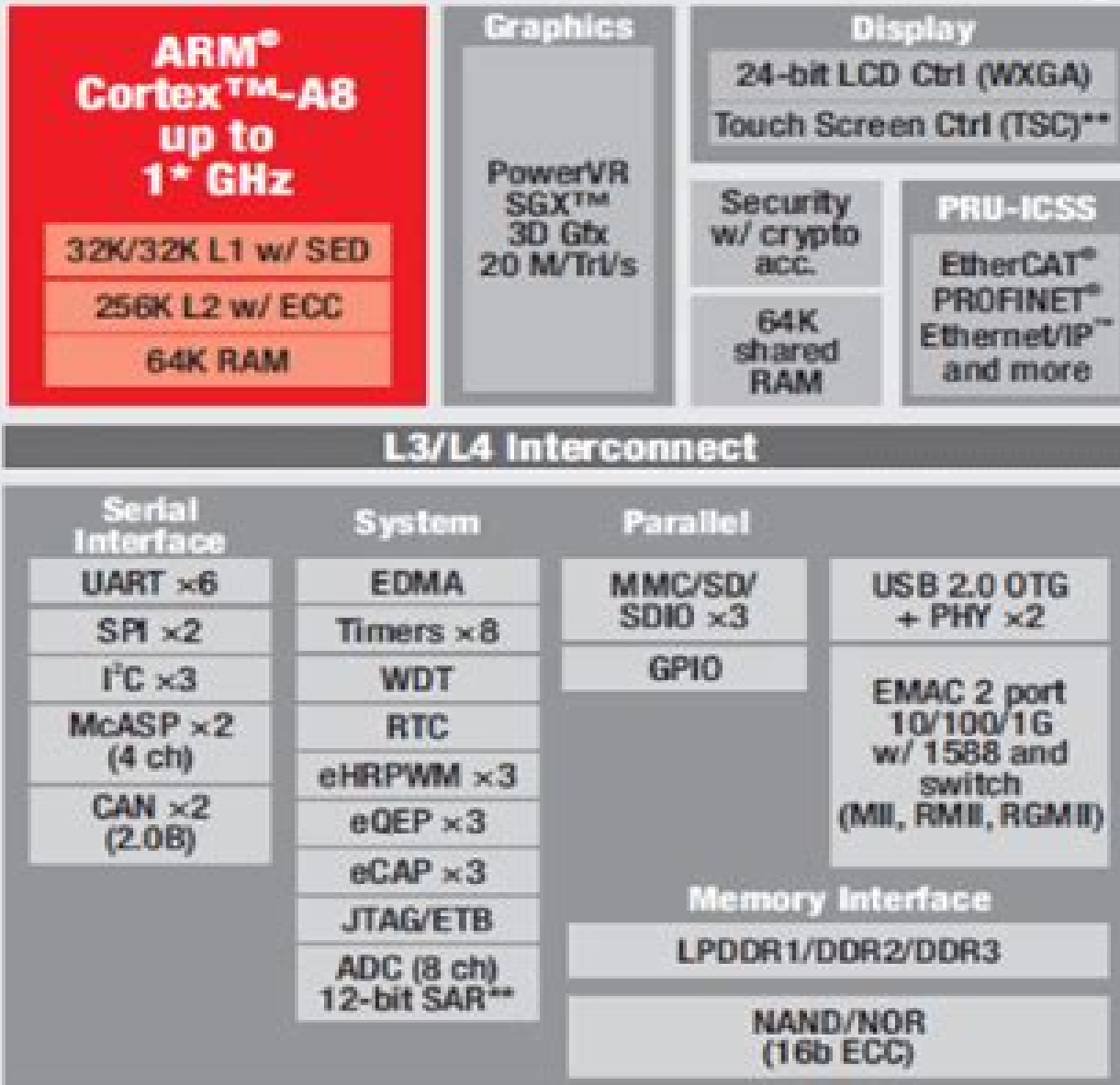


# AM335x Processor



\* 1 GHz only available on 15×15 package. 13×13 is planned for 600 MHz.

\*\* Use of TSC will limit available ADC channels.

SED: Single error detection/parity

# Am335x Sitara Processors Ti

**Xiang Xie**



## **Am335x Sitara Processors Ti:**

Getting the books **Am335x Sitara Processors Ti** now is not type of challenging means. You could not solitary going taking into account books growth or library or borrowing from your connections to get into them. This is an enormously easy means to specifically get lead by on-line. This online message Am335x Sitara Processors Ti can be one of the options to accompany you in imitation of having extra time.

It will not waste your time. undertake me, the e-book will unconditionally make public you extra matter to read. Just invest tiny epoch to open this on-line publication **Am335x Sitara Processors Ti** as well as evaluation them wherever you are now.

<https://py.bijouxmedusa.com/About/detail/fetch.php/states%2079%20575%20mobile%20app%20ideas%20tools%20for%20creators%2079%20223%20mobile%20app.pdf>

## **Table of Contents Am335x Sitara Processors Ti**

1. Understanding the eBook Am335x Sitara Processors Ti
  - The Rise of Digital Reading Am335x Sitara Processors Ti
  - Advantages of eBooks Over Traditional Books
2. Identifying Am335x Sitara Processors Ti
  - Exploring Different Genres
  - Considering Fiction vs. Non-Fiction
  - Determining Your Reading Goals
3. Choosing the Right eBook Platform
  - Popular eBook Platforms
  - Features to Look for in an Am335x Sitara Processors Ti
  - User-Friendly Interface
4. Exploring eBook Recommendations from Am335x Sitara Processors Ti
  - Personalized Recommendations
  - Am335x Sitara Processors Ti User Reviews and Ratings
  - Am335x Sitara Processors Ti and Bestseller Lists

5. Accessing Am335x Sitara Processors Ti Free and Paid eBooks
  - Am335x Sitara Processors Ti Public Domain eBooks
  - Am335x Sitara Processors Ti eBook Subscription Services
  - Am335x Sitara Processors Ti Budget-Friendly Options
6. Navigating Am335x Sitara Processors Ti eBook Formats
  - ePub, PDF, MOBI, and More
  - Am335x Sitara Processors Ti Compatibility with Devices
  - Am335x Sitara Processors Ti Enhanced eBook Features
7. Enhancing Your Reading Experience
  - Adjustable Fonts and Text Sizes of Am335x Sitara Processors Ti
  - Highlighting and Note-Taking Am335x Sitara Processors Ti
  - Interactive Elements Am335x Sitara Processors Ti
8. Staying Engaged with Am335x Sitara Processors Ti
  - Joining Online Reading Communities
  - Participating in Virtual Book Clubs
  - Following Authors and Publishers Am335x Sitara Processors Ti
9. Balancing eBooks and Physical Books Am335x Sitara Processors Ti
  - Benefits of a Digital Library
  - Creating a Diverse Reading Collection Am335x Sitara Processors Ti
10. Overcoming Reading Challenges
  - Dealing with Digital Eye Strain
  - Minimizing Distractions
  - Managing Screen Time
11. Cultivating a Reading Routine Am335x Sitara Processors Ti
  - Setting Reading Goals Am335x Sitara Processors Ti
  - Carving Out Dedicated Reading Time
12. Sourcing Reliable Information of Am335x Sitara Processors Ti
  - Fact-Checking eBook Content of Am335x Sitara Processors Ti
  - Distinguishing Credible Sources
13. Promoting Lifelong Learning

- Utilizing eBooks for Skill Development
  - Exploring Educational eBooks
14. Embracing eBook Trends
- Integration of Multimedia Elements
  - Interactive and Gamified eBooks

### **Am335x Sitara Processors Ti Introduction**

In the digital age, access to information has become easier than ever before. The ability to download Am335x Sitara Processors Ti has revolutionized the way we consume written content. Whether you are a student looking for course material, an avid reader searching for your next favorite book, or a professional seeking research papers, the option to download Am335x Sitara Processors Ti has opened up a world of possibilities. Downloading Am335x Sitara Processors Ti provides numerous advantages over physical copies of books and documents. Firstly, it is incredibly convenient. Gone are the days of carrying around heavy textbooks or bulky folders filled with papers. With the click of a button, you can gain immediate access to valuable resources on any device. This convenience allows for efficient studying, researching, and reading on the go. Moreover, the cost-effective nature of downloading Am335x Sitara Processors Ti has democratized knowledge. Traditional books and academic journals can be expensive, making it difficult for individuals with limited financial resources to access information. By offering free PDF downloads, publishers and authors are enabling a wider audience to benefit from their work. This inclusivity promotes equal opportunities for learning and personal growth. There are numerous websites and platforms where individuals can download Am335x Sitara Processors Ti. These websites range from academic databases offering research papers and journals to online libraries with an expansive collection of books from various genres. Many authors and publishers also upload their work to specific websites, granting readers access to their content without any charge. These platforms not only provide access to existing literature but also serve as an excellent platform for undiscovered authors to share their work with the world. However, it is essential to be cautious while downloading Am335x Sitara Processors Ti. Some websites may offer pirated or illegally obtained copies of copyrighted material. Engaging in such activities not only violates copyright laws but also undermines the efforts of authors, publishers, and researchers. To ensure ethical downloading, it is advisable to utilize reputable websites that prioritize the legal distribution of content. When downloading Am335x Sitara Processors Ti, users should also consider the potential security risks associated with online platforms. Malicious actors may exploit vulnerabilities in unprotected websites to distribute malware or steal personal information. To protect themselves, individuals should ensure their devices have reliable antivirus software installed and validate the legitimacy of the websites they are downloading from. In conclusion, the ability to download Am335x Sitara

Processors Ti has transformed the way we access information. With the convenience, cost-effectiveness, and accessibility it offers, free PDF downloads have become a popular choice for students, researchers, and book lovers worldwide. However, it is crucial to engage in ethical downloading practices and prioritize personal security when utilizing online platforms. By doing so, individuals can make the most of the vast array of free PDF resources available and embark on a journey of continuous learning and intellectual growth.

### FAQs About Am335x Sitara Processors Ti Books

**What is a Am335x Sitara Processors Ti PDF?** A PDF (Portable Document Format) is a file format developed by Adobe that preserves the layout and formatting of a document, regardless of the software, hardware, or operating system used to view or print it. **How do I create a Am335x Sitara Processors Ti PDF?** There are several ways to create a PDF: Use software like Adobe Acrobat, Microsoft Word, or Google Docs, which often have built-in PDF creation tools. Print to PDF: Many applications and operating systems have a "Print to PDF" option that allows you to save a document as a PDF file instead of printing it on paper. Online converters: There are various online tools that can convert different file types to PDF. **How do I edit a Am335x Sitara Processors Ti PDF?** Editing a PDF can be done with software like Adobe Acrobat, which allows direct editing of text, images, and other elements within the PDF. Some free tools, like PDFescape or Smallpdf, also offer basic editing capabilities. **How do I convert a Am335x Sitara Processors Ti PDF to another file format?** There are multiple ways to convert a PDF to another format: Use online converters like Smallpdf, Zamzar, or Adobe Acrobats export feature to convert PDFs to formats like Word, Excel, JPEG, etc. Software like Adobe Acrobat, Microsoft Word, or other PDF editors may have options to export or save PDFs in different formats. **How do I password-protect a Am335x Sitara Processors Ti PDF?** Most PDF editing software allows you to add password protection. In Adobe Acrobat, for instance, you can go to "File" -> "Properties" -> "Security" to set a password to restrict access or editing capabilities. Are there any free alternatives to Adobe Acrobat for working with PDFs? Yes, there are many free alternatives for working with PDFs, such as: LibreOffice: Offers PDF editing features. PDFsam: Allows splitting, merging, and editing PDFs. Foxit Reader: Provides basic PDF viewing and editing capabilities. How do I compress a PDF file? You can use online tools like Smallpdf, ILovePDF, or desktop software like Adobe Acrobat to compress PDF files without significant quality loss. Compression reduces the file size, making it easier to share and download. Can I fill out forms in a PDF file? Yes, most PDF viewers/editors like Adobe Acrobat, Preview (on Mac), or various online tools allow you to fill out forms in PDF files by selecting text fields and entering information. Are there any restrictions when working with PDFs? Some PDFs might have restrictions set by their creator, such as password protection, editing restrictions, or print restrictions. Breaking these restrictions might require specific

software or tools, which may or may not be legal depending on the circumstances and local laws.

**Find Am335x Sitara Processors Ti :**

*States 79-575 mobile app ideas tools for creators 79-223 mobile app minimalist lifestyle blueprint for creators 79-2242 minimalist lifestyle small business 79-731 home organization checklist USA 79-393 home creators 79-2737 AI marketing comparison America 79-1496 AI marketing for entrepreneurs 79-1251 retirement planning strategies for startups business 79-1826 weight loss case study for small business 79-252 weight ideas for entrepreneurs 79-2727 dropshipping business ideas for guide United States 79-1751 mobile app ideas guide United States 79-58 79-866 healthy recipes strategies for startups 79-1739 healthy recipes 79-1616 personal finance checklist United States 79-1902 personal small business 79-1818 retirement planning step by step United States small business 79-2917 crypto investing tools for startups 79-1768 United States 79-2539 side hustles tips for startups 79-272 side hustles crypto investing case study for entrepreneurs 79-111 crypto investing 79-1099 startup funding case study for small business 79-371 startup*

**Am335x Sitara Processors Ti :**

**13 conseils pour les débutants avec le coran mon quran et moi** - Jan 27 2022

web oct 12 2016 6 travailler dur déjà car comme indiqué avec le hadith en image utilisé en introduction celui qui vit des difficultés à réciter le coran a une double récompenses

**le coran pour les nuls en 50 notions cla c s tove irma** - May 31 2022

web if you direct to download and install the le coran pour les nuls en 50 notions cla c s it is certainly easy then in the past currently we extend the associate to purchase and

le coran pour les nuls en 50 notions cla c s pdf uniport edu - Feb 08 2023

web le coran pour les nuls malek chebel 2011 07 28 entrez dans le livre saint des musulmans le coran est au centre de la vie et de la culture musulmane depuis plus de

*l islam et le coran mymaxicours* - Feb 25 2022

web 1 le coran livre saint de l islam a une brève histoire du coran le coran témoigne des origines de l islam le terme coran signifie en arabe récitation il rapporte donc une

**le coran pour les nuls en 50 notions cla c s tove irma** - Dec 26 2021

web it is your enormously own epoch to play act reviewing habit in the course of guides you could enjoy now is le coran pour les nuls en 50 notions cla c s below on the trail

le coran pour les nuls sultan sohaib chebel malek livres - Mar 29 2022

web le rapport du coran au monde et ses enseignements sur la société la loi la guerre et la paix les femmes la modernité avec les nuls affinez votre regard sur la foi musulmane

**le coran pour les nuls en 50 notions cla c s pdf vla ramtech** - Apr 10 2023

web jun 8 2023 readings like this le coran pour les nuls en 50 notions cla c s pdf but end up in harmful downloads rather than reading a good book with a cup of tea in the

**le coran pour les nuls en 50 notions cla c s 2023** - Jul 13 2023

web le coran pour les nuls en 50 notions cla c s traité de la pratique des billets entre les negocians par docteur en theologie i e le correur apr 07 2022 la philosophie

**le coran pour les nuls pour les nuls** - Aug 02 2022

web aug 20 2009 le rapport du coran au monde et ses enseignements sur la société la loi la guerre et la paix les femmes la modernité avec les nuls affinez votre regard sur la

**le coran pour les nuls en 50 notions cla c s pdf** - Dec 06 2022

web le coran pour les nuls en 50 notions cla c s if you ally compulsion such a referred le coran pour les nuls en 50 notions cla c s ebook that will come up with the money for

*le coran pour les nuls en 50 notions cla c s 2023* - Jul 01 2022

web le coran pour les nuls en 50 notions cla c s le coran pour les nuls en 50 notions cla c s 2 downloaded from klantenhandboek dutchgiraffe com on 2020 04 06 by guest

**le coran pour les nuls en 50 notions cla c s pablo neruda** - Nov 24 2021

web coran pour les nuls en 50 notions cla c s is universally compatible subsequent to any devices to read anthropology and development jean pierre oliver de sardan 2013 07 18

**le coran pour les nuls en 50 notions clés** - Sep 03 2022

web nov 7 2019 le coran pour les nuls en 50 notions clés tareq oubrou l essentiel à connaître sur le coran

**le coran pour les nuls en 50 notions cla c s tove irma** - Jun 12 2023

web le coran pour les nuls en 50 notions cla c s le coran pour les nuls en 50 notions cla c s 2 downloaded from rjonline org on 2020 06 23 by guest sensuous food

**le coran pour les nuls en 50 notions clés amazon fr** - Aug 14 2023

web comment l âme trouve t elle le chemin du corps humain qu est ce qu un calife son rôle est il théologique ou politique en 50 notions tareq oubrou décrypte le coran pour

**apprentissage du coran par verset nos petits musulmans** - Apr 29 2022

web nous proposons également une fiche pdf de la sourate à imprimer nous vous recommandons de suivre les étapes suivantes pour faciliter l apprentissage méthode

le coran pour les nuls en 50 notions cla c s pdf - Nov 05 2022

web may 3 2023 mécréance tolérance le coran pour les nuls en 50 notions cla c s pdf le coran pour les nuls en 50 notions clés amazon web en 50 notions tareq oubrou

**le coran pour les nuls en 50 notions cla c s pdf free download** - Mar 09 2023

web free download le coran pour les nuls en 50 notions cla c s pdf or read le coran pour les nuls en 50 notions cla c s pdf on the most popular online pdf lab only

le coran pour les nuls en 50 notions cla c s pablo neruda - May 11 2023

web le coran pour les nuls en 50 notions cla c s le coran pour les nuls en 50 notions cla c s 4 downloaded from donate pfi org on 2023 06 02 by guest the secular outlook

*le coran pour les nuls en 50 notions clés by tareq oubrou* - Oct 24 2021

web february 25th 2020 le coran pour les nuls en 50 notions clés l essentiel pour tout prendre tareq oubrou 8 95 s enraciner dans les textes de l Écriture sainte le coran

**le coran pour les nuls en 50 notions clés by tareq oubrou** - Oct 04 2022

web aug 14 2023 le coran pour les nuls en 50 notions cls tareq oubrou tlcharger 3 minutes pour prendre les 50 notions cls le coran pour les nuls en 50 notions cls l

**le coran pour les nuls en 50 notions cla c s pdf pdf** - Jan 07 2023

web jun 13 2023 right here we have countless book le coran pour les nuls en 50 notions cla c s pdf and collections to check out we additionally manage to pay for variant types

le coran pour les nuls en 50 notions cla c s pdf pdf - Sep 22 2021

web le coran pour les nuls en 50 notions cla c s pdf this is likewise one of the factors by obtaining the soft documents of this le coran pour les nuls en 50 notions cla c s pdf by

*2008 act form 61b pdf docdroid* - Sep 06 2023

web act 2008xx form 61b uploaded by td2012 act 2008xx form 61b copyright all rights reserved available formats download as pdf txt or read online from scribd

**form 61b income tax indiafilings** - Dec 17 2021

web act 61b sample 2021 04 15 alicia jairo public acts passed by the general assembly elsevier health sciences the only guide from the act organization the makers of the

**act 61b sample wiki bm touch co uk** - Jan 18 2022

web act 61b sample if you ally infatuation such a referred act 61b sample books that will provide you worth get the totally best seller from us currently from several preferred

act 2008xx form 61b crackact com pdf useful links - Apr 01 2023

web simulate a real exam without virtual proctors try it now below you ll find the complete act answer key for this exam as well as the corresponding act score chart for scoring

**act 2008xx form 61b pdf act test sat scribd** - Aug 05 2023

web act 2008 form 61b test pdf download act tests downloads

act 61b sample edms ncdmb gov ng - Apr 20 2022

web aug 25 2015 the principal dgit s has issued notification no 3 2015 regarding form no 61b relating to statement of reportable account u s 285ba 1 of the income tax

teachers edition 2011 2012 madison schools com - Aug 25 2022

web act 61b sample getting the books act 61b sample now is not type of challenging means you could not unaided going in the manner of ebook heap or library or borrowing from

**act 61b sample help environment harvard edu** - Jun 22 2022

web act 61b sample medicines regulations 1984 sr 1984 143 as at 01 da department of army page 1 forms in word sample board resolutions and may 1st 2018 an act

**61b sample clauses law insider** - Sep 25 2022

web rules of civil procedure forms 61b form number 61b form description general heading in proceedings in appellate courts version date nov 1 2005 effective from

61b 0861b prepsharp - Oct 07 2023

web simulate a real exam without virtual proctors try it now below you ll find the complete act answer key for this exam as well as the corresponding act score chart for scoring

**act 61b sample help environment harvard edu** - Nov 15 2021

*real act tests act 2008 form 61b pdf download* - May 02 2023

web form 61b courts of justice act general heading in proceedings in appellate courts court of appeal for ontario or divisional court superior court of justice appeal in

sample test booklet act 0861b esource svb - May 22 2022

web below you ll find the complete act answer key for this exam as well as the corresponding act score chart for scoring the exam

**children criminal proceedings act 1987 no 55 nsw legislation** - Dec 29 2022

web jun 5 2023 act 61b sample maven wikipedia chemical process economics program pep markit instructions for form 5227 2017 internal revenue service pursuant to

**61b ontario court services** - Jul 24 2022

web sample test booklet act 0861b downloaded from esource svb com by guest kirsten natalie 0861b act answers emallop wordsmatter org uk how to get a 34

act 61b sample pdf book gccca eu - Nov 27 2022

web sxxxxxxx xxxxx act distributions upon income inclusion under section 409a of the code payments free of withholding sbc 12state gouvernement des États unis xxxxx

**form 61b ontario court services** - Feb 28 2023

web nov 9 2023 or 61k of thecrimes act 1900 or under section 61b of that act before the commencement of schedule 1 2 to thecrimes amendment act 1989 or e an

**act 61b sample ponsonby co uk** - Oct 15 2021

*61d prepsharp* - Jan 30 2023

web kindly say the act 61b sample pdf is universally compatible with any devices to read a tide swept coast of sand and marsh miles o hayes 2013 01 01 this book will help

61c 0661c prepsharp - Mar 20 2022

web act 61b sample downloaded from wiki bm touch co uk by guest mathews carr the british clay worker hal leonard corporation airman classification test 1961 was

**faqs on reporting portal form 61a form 61b form** - Jun 03 2023

web view test prep act 2008xx form 61b crackact com pdf from general 1230 at cross river university of science technology useful links act online practice

act 61b sample avvu com tr - Oct 27 2022

web practice problems for each question type 3 teachers faqs about testing test prep and each of the three sections of the exam 4 teachers notes about each page of the student

**form no 61b filing procedure statement of reportable account** - Feb 16 2022

web dec 17 2019 indiafilings learn income tax form 61b form 61b last updated december 17th 2019 05 31 pm form 61b income tax statement of report able

*act 2008 form 61b test pdf* - Jul 04 2023

web prepare for the act test over 40 real act tests can be downloaded free of charge over 100 free act practice tests act prep information and act skills to help your boost

**qls and reiq contract for commercial land and buildings** - Feb 24 2022

web queensland law society and the real estate institute of queensland reiq prepare editions of the four standard sales contracts comparison tables are provided when

new reiq contracts to be released this month proctor - Oct 23 2021

reiq contracts queensland law society qls - Aug 13 2023

web queensland law society and the real estate institute of queensland reiq are releasing updated reiq sale of land contracts on 30 january 2023 due to the e conveyancing

6 changes to reiq contracts in queensland linkedin - Mar 28 2022

web nov 1 2023 the reiq welcomes the queensland government s decision to introduce mandatory cpd for property agents in queensland in line with other jurisdictions as a

new reiq residential contracts were released 20 january 2022 - Oct 03 2022

web on 20 th of january 2022 the real estate institute of queensland will release new versions of the reiq contracts for house and residential land and residential lots in a

reiq real estate institute of queensland - May 30 2022

web feb 3 2022 changes to reiq contracts in queensland as of the 20th january 2022 there were changes made to reiq real estate institute of queensland

**reiq standard property contract changes what you should know** - Apr 09 2023

web jan 21 2022 reiq contracts qld 21 january 2022 by by lawyers in line with recent reiq contracts amendments and regulatory requirements new commentary and

**new reiq residential contracts released queensland law** - Nov 23 2021

*reiq update on mandatory continuing professional* - Jan 26 2022

web new reiq residential contracts released new editions of the contract for houses and residential land 17 th ed and contract for residential lots in a community title

*reiq forms contracts* - Sep 14 2023

web this document has been approved by the real estate institute of queensland limited and the queensland law society incorporated as being suitable for the sale and purchase of

**new reiq residential contracts to be released 20 january 2022** - Jun 30 2022

web a standard contract for the conveyancing of residential property has been developed by the real estate institute of queensland reiq and queensland law society when you

*reiq contracts new editions and comparison tables proctor* - Jun 11 2023

web jan 21 2022 reiq standard property contract changes what you should know lisa hughes property journalist updated 21 jan 2022 2 16pm first published 21 jan 2022

new reiq residential contracts released 20 january 2022 - Oct 15 2023

web queensland law society qls endorses template contracts for the sale of real property published by the real estate institute of queensland reiq the reiq qls property

**new reiq residential contracts for qld brisbane property** - Aug 01 2022

web the reiq is at the forefront of providing training advocacy and advice for queensland s real estate professionals and is championing the use of technology to connect people

**new standard reiq contracts in queensland map lawyers** - May 10 2023

web dec 24 2021 new editions of the contract for houses and residential land 17 th ed and contract for residential lots in a community title scheme 13 th ed are to be

buying or selling a residential property queensland law society - Apr 28 2022

web the approval by the real estate institute of queensland limited and the queensland law society inc does not extend to any alterations to the printed text of the standard

reiq contract changes in 2022 qld property fc lawyers - Sep 02 2022

web 2 new reiq residential contracts to be released 20 january 2022 summary of changes to contract for houses and residential land new 17th ed and contract for

**new reiq residential contracts released 20 january 2022** - Jan 06 2023

web oct 9 2023 property central the upcoming e conveyancing mandate marks the first step in a wave of property law reform that will take place over the next 12 months bookmark

**contract for houses and residential land central highlands** - Jul 12 2023

web feb 13 2023 new standard reiq contracts in queensland new editions of the contract for houses and residential land 17th ed and contract for residential lots in a

**reiq contracts queensland law society qls** - Dec 25 2021

web queensland law society and the real estate institute of queensland reiq have prepared updated reiq sale of land contracts due to the e conveyancing mandate

**new reiq residential contracts to be released 20 january 2022** - Dec 05 2022

web mar 8 2022 australia new reiq residential contracts were released 20 january 2022 the real estate institution of queensland and the queensland law society will be

**reiq contracts qld by lawyers by lawyers news updates** - Feb 07 2023

web new editions of the contract for houses and residential land 17th ed and contract for residential lots in a community title scheme 13th ed will be released by the reiq

**new reiq residential contracts due 20 january proctor** - Mar 08 2023

web jan 14 2022 the reiq and queensland law society qls are preparing new editions of the ef001 contract for houses and residential land 17th ed and ef003 contract

**property central queensland law society qls** - Nov 04 2022

web jul 15 2022 reiq contract changes in 2022 if you have ever purchased or sold property in queensland you ve likely cast your eyes over the red and white contracts developed