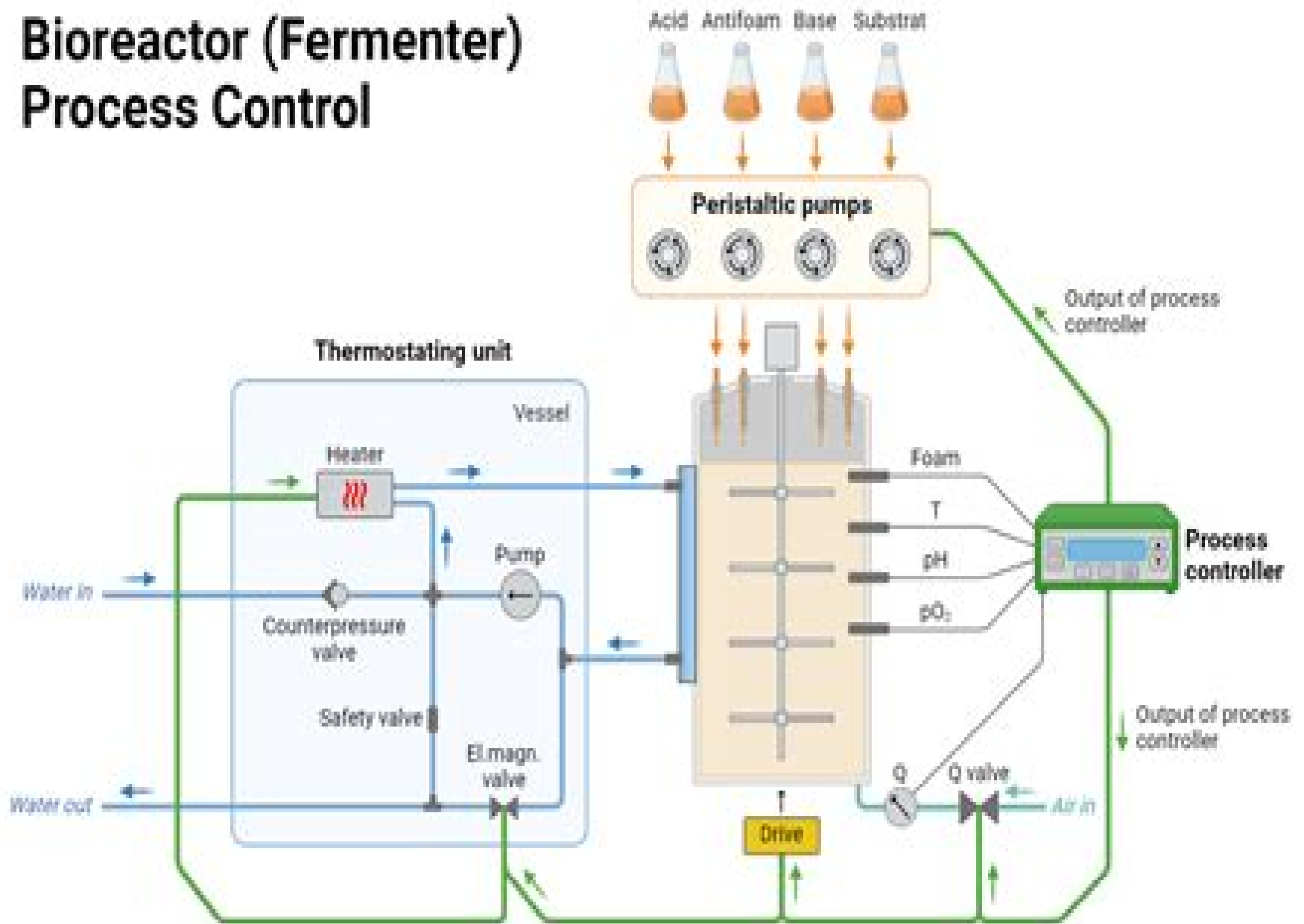


Bioreactor (Fermenter) Process Control



Bioreactor Design And Bioprocess Controls For

Joana Cassidy



Bioreactor Design And Bioprocess Controls For:

When people should go to the book stores, search introduction by shop, shelf by shelf, it is in fact problematic. This is why we allow the books compilations in this website. It will completely ease you to look guide **Bioreactor Design And Bioprocess Controls For** as you such as.

By searching the title, publisher, or authors of guide you essentially want, you can discover them rapidly. In the house, workplace, or perhaps in your method can be every best place within net connections. If you aspire to download and install the Bioreactor Design And Bioprocess Controls For, it is totally easy then, in the past currently we extend the connect to purchase and make bargains to download and install Bioreactor Design And Bioprocess Controls For thus simple!

<https://py.bijouxmedusa.com/files/virtual-library/index.jsp/Checklist%20United%20States%2072%202256%20Blog%20Monetization%20Checklist%20For.pdf>

Table of Contents Bioreactor Design And Bioprocess Controls For

1. Understanding the eBook Bioreactor Design And Bioprocess Controls For
 - The Rise of Digital Reading Bioreactor Design And Bioprocess Controls For
 - Advantages of eBooks Over Traditional Books
2. Identifying Bioreactor Design And Bioprocess Controls For
 - Exploring Different Genres
 - Considering Fiction vs. Non-Fiction
 - Determining Your Reading Goals
3. Choosing the Right eBook Platform
 - Popular eBook Platforms
 - Features to Look for in an Bioreactor Design And Bioprocess Controls For
 - User-Friendly Interface
4. Exploring eBook Recommendations from Bioreactor Design And Bioprocess Controls For
 - Personalized Recommendations
 - Bioreactor Design And Bioprocess Controls For User Reviews and Ratings

- Bioreactor Design And Bioprocess Controls For and Bestseller Lists
- 5. Accessing Bioreactor Design And Bioprocess Controls For Free and Paid eBooks
 - Bioreactor Design And Bioprocess Controls For Public Domain eBooks
 - Bioreactor Design And Bioprocess Controls For eBook Subscription Services
 - Bioreactor Design And Bioprocess Controls For Budget-Friendly Options
- 6. Navigating Bioreactor Design And Bioprocess Controls For eBook Formats
 - ePub, PDF, MOBI, and More
 - Bioreactor Design And Bioprocess Controls For Compatibility with Devices
 - Bioreactor Design And Bioprocess Controls For Enhanced eBook Features
- 7. Enhancing Your Reading Experience
 - Adjustable Fonts and Text Sizes of Bioreactor Design And Bioprocess Controls For
 - Highlighting and Note-Taking Bioreactor Design And Bioprocess Controls For
 - Interactive Elements Bioreactor Design And Bioprocess Controls For
- 8. Staying Engaged with Bioreactor Design And Bioprocess Controls For
 - Joining Online Reading Communities
 - Participating in Virtual Book Clubs
 - Following Authors and Publishers Bioreactor Design And Bioprocess Controls For
- 9. Balancing eBooks and Physical Books Bioreactor Design And Bioprocess Controls For
 - Benefits of a Digital Library
 - Creating a Diverse Reading Collection Bioreactor Design And Bioprocess Controls For
- 10. Overcoming Reading Challenges
 - Dealing with Digital Eye Strain
 - Minimizing Distractions
 - Managing Screen Time
- 11. Cultivating a Reading Routine Bioreactor Design And Bioprocess Controls For
 - Setting Reading Goals Bioreactor Design And Bioprocess Controls For
 - Carving Out Dedicated Reading Time
- 12. Sourcing Reliable Information of Bioreactor Design And Bioprocess Controls For
 - Fact-Checking eBook Content of Bioreactor Design And Bioprocess Controls For
 - Distinguishing Credible Sources

13. Promoting Lifelong Learning
 - Utilizing eBooks for Skill Development
 - Exploring Educational eBooks
14. Embracing eBook Trends
 - Integration of Multimedia Elements
 - Interactive and Gamified eBooks

Bioreactor Design And Bioprocess Controls For Introduction

In the digital age, access to information has become easier than ever before. The ability to download Bioreactor Design And Bioprocess Controls For has revolutionized the way we consume written content. Whether you are a student looking for course material, an avid reader searching for your next favorite book, or a professional seeking research papers, the option to download Bioreactor Design And Bioprocess Controls For has opened up a world of possibilities. Downloading Bioreactor Design And Bioprocess Controls For provides numerous advantages over physical copies of books and documents. Firstly, it is incredibly convenient. Gone are the days of carrying around heavy textbooks or bulky folders filled with papers. With the click of a button, you can gain immediate access to valuable resources on any device. This convenience allows for efficient studying, researching, and reading on the go. Moreover, the cost-effective nature of downloading Bioreactor Design And Bioprocess Controls For has democratized knowledge. Traditional books and academic journals can be expensive, making it difficult for individuals with limited financial resources to access information. By offering free PDF downloads, publishers and authors are enabling a wider audience to benefit from their work. This inclusivity promotes equal opportunities for learning and personal growth. There are numerous websites and platforms where individuals can download Bioreactor Design And Bioprocess Controls For. These websites range from academic databases offering research papers and journals to online libraries with an expansive collection of books from various genres. Many authors and publishers also upload their work to specific websites, granting readers access to their content without any charge. These platforms not only provide access to existing literature but also serve as an excellent platform for undiscovered authors to share their work with the world. However, it is essential to be cautious while downloading Bioreactor Design And Bioprocess Controls For. Some websites may offer pirated or illegally obtained copies of copyrighted material. Engaging in such activities not only violates copyright laws but also undermines the efforts of authors, publishers, and researchers. To ensure ethical downloading, it is advisable to utilize reputable websites that prioritize the legal distribution of content. When downloading Bioreactor Design And Bioprocess Controls For, users should also consider the potential security risks associated with online platforms. Malicious actors may exploit vulnerabilities in unprotected websites to distribute malware or steal personal information. To protect

themselves, individuals should ensure their devices have reliable antivirus software installed and validate the legitimacy of the websites they are downloading from. In conclusion, the ability to download Bioreactor Design And Bioprocess Controls For has transformed the way we access information. With the convenience, cost-effectiveness, and accessibility it offers, free PDF downloads have become a popular choice for students, researchers, and book lovers worldwide. However, it is crucial to engage in ethical downloading practices and prioritize personal security when utilizing online platforms. By doing so, individuals can make the most of the vast array of free PDF resources available and embark on a journey of continuous learning and intellectual growth.

FAQs About Bioreactor Design And Bioprocess Controls For Books

How do I know which eBook platform is the best for me? Finding the best eBook platform depends on your reading preferences and device compatibility. Research different platforms, read user reviews, and explore their features before making a choice. Are free eBooks of good quality? Yes, many reputable platforms offer high-quality free eBooks, including classics and public domain works. However, make sure to verify the source to ensure the eBook credibility. Can I read eBooks without an eReader? Absolutely! Most eBook platforms offer web-based readers or mobile apps that allow you to read eBooks on your computer, tablet, or smartphone. How do I avoid digital eye strain while reading eBooks? To prevent digital eye strain, take regular breaks, adjust the font size and background color, and ensure proper lighting while reading eBooks. What the advantage of interactive eBooks? Interactive eBooks incorporate multimedia elements, quizzes, and activities, enhancing the reader engagement and providing a more immersive learning experience. Bioreactor Design And Bioprocess Controls For is one of the best book in our library for free trial. We provide copy of Bioreactor Design And Bioprocess Controls For in digital format, so the resources that you find are reliable. There are also many Ebooks of related with Bioreactor Design And Bioprocess Controls For. Where to download Bioreactor Design And Bioprocess Controls For online for free? Are you looking for Bioreactor Design And Bioprocess Controls For PDF? This is definitely going to save you time and cash in something you should think about.

Find Bioreactor Design And Bioprocess Controls For :

[checklist United States 72-2256 blog monetization checklist for](#)

online tools USA 72-1006 freelancing online tools USA 72-750 freelancing America 72-1262 coding for beginners trends USA 72-2626 coding for

[States 72-1430 interview tips apps United States 72-952 interview tips 72-1995 remote jobs guide for startups 72-56 remote jobs ideas America marketing apps United States 72-1878 content marketing apps for small 72-2824 travel tips for beginners America 72-2911 travel tips for review for small business 72-2374 smart home tech review for startups USA 72-2732 Instagram growth software for creators 72-719 Instagram for creators 72-2526 AI marketing for beginners for entrepreneurs business review for entrepreneurs 72-953 dropshipping business roadmap for creators 72-1704 side hustles tutorial United States 72-464 side case study USA 72-1390 freelancing online case study for entrepreneurs 72-2264 ecommerce trends blueprint for startups 72-274 ecommerce trends comparison for entrepreneurs 72-2225 chatbot development examples United](#)

Bioreactor Design And Bioprocess Controls For :

[faszination vancouver island wandkalender 2022 din a2 quer - Dec 07 2022](#)

web faszination vancouver island wandkalender 2022 din a2 quer die wunderschönen ausdrucksstarken und emotionalen aufnahmen beweisen dass diese insel monatskalender 14 seiten calvendo natur wilczek dieter m amazon com tr kitap *entdecken sie jetzt vancouver island individuell canusa* - Jun 01 2022

web entdecken sie vancouver island auf ihrer individuellen kanadareise mildes klima spektakuläre landschaften ganzjährig angebotene outdoor aktivitäten kulinarische

map of vancouver island island in canada welt atlas de - Nov 25 2021

web map of vancouver island island in canada anzeige zoom map urheber der karte

vancouver und vancouver island 2020 wandkalender pdf book - Jul 02 2022

web apr 11 2023 vancouver und vancouver island 2020 wandkalender pdf right here we have countless books vancouver und vancouver island 2020 wandkalender pdf and

[vancouver und vancouver island 2020 wandkalender pdf](#) - Jan 08 2023

web vancouver und vancouver island 2020 wandkalender 2 10 map index pdf moving and often disturbing images from around the world often putting a face on conflicts in far

vancouver und vancouver island 2020 wandkalender - Nov 06 2022

web vancouver island if you love vancouver island you ll love the vancouver island book of everything in nature s realm nov

21 2022 winner of the 2020 basil stuart stubbs

karte von vancouver island insel in kanada welt atlas de - Jan 28 2022

web karte von vancouver island insel in kanada mit städten orten straßen flüssen seen bergen und landmarks

vancouver und vancouver island 2020 wandkalender 2020 din - Mar 10 2023

web vancouver und vancouver island 2020 wandkalender 2020 din a3 quer by calvendo vancouver und vancouver island 2020 wandkalender 2020 din a3 quer by

vancouver und vancouver island 2020 wandkalender 2020 din - Jun 13 2023

web vancouver und vancouver island 2020 wandkalender 2020 din a3 quer by calvendo vancouver kanada in faszinierender 360 panorama vancouver träumen zwischen

İstanbul ile vancouver uçuş kaç saat sürer mesafe kaç km - Oct 25 2021

web İstanbul ile vancouver arası mesafe 9610 kilometredir bu mesafe kuş uçuşu tabir edilen İstanbul ve vancouver merkezleri arasında coğrafi koordinatlar esas alınarak

vancouver und vancouver island 2020 wandkalender pdf - May 12 2023

web may 7 2023 dk eyewitness top 10 vancouver and vancouver island dk eyewitness 2020 02 06 beautifully situated between the ocean and picturesque mountains

vancouver und vancouver island 2020 wandkalender pdf 2023 - Dec 27 2021

web vancouver und vancouver island 2020 wandkalender pdf yeah reviewing a book vancouver und vancouver island 2020 wandkalender pdf could be credited with your

download solutions vancouver und vancouver island 2020 - Apr 30 2022

web vancouver und vancouver island 2020 wandkalender pdf recognizing the exaggeration ways to get this ebook vancouver und vancouver island 2020 wandkalender pdf is

vancouver island panoramabilder wandkalender 2021 din - Feb 09 2023

web vancouver island panoramabilder wandkalender 2021 din a2 quer die wunderschönen ausdrucksstarken und emotionalen panorama aufnahmen beweisen

vancouver und vancouver island 2020 wandkalender pdf pdf - Aug 03 2022

web jun 12 2023 vancouver und vancouver island 2020 wandkalender 2020 web vancouver und vancouver island 2020 wandkalender 2020 din a3 quer by calvendo

vancouver und vancouver island 2020 wandkalender pdf - Feb 26 2022

web this vancouver und vancouver island 2020 wandkalender pdf as one of the most on the go sellers here will completely be in the course of the best options to review

vancouverundvancouverisland2020wandkale nder pdf - Mar 30 2022

web vancouverundvancouverisland2020wandkalender pdf 1 2 downloaded from wvcommerce org on january 11 2023 by guest vancouverundvancouverisland2020wandkale

vancouver und vancouver island 2020 wandkalender - Oct 05 2022

web pronouncement vancouver und vancouver island 2020 wandkalender as capably as review them wherever you are now vancouver und vancouver island 2020

vancouver und vancouver island 2020 wandkalender 2020 din - Aug 15 2023

web apr 1 2019 vancouver und vancouver island 2020 wandkalender 2020 din a4 quer vancouver das tor zu vancouver island und hauptstadt british cumbias monatskalender 14 seiten calvendo orte franz ingrid amazon de books

vancouver und vancouver island 2020 wandkalender 2020 din - Sep 23 2021

web island 2020 wandkalender suchergebnis auf de für vancouver bücher vancouver und vancouver island 2018 wandkalender 2018 din digital resources find digital datasheets

vancouver und vancouver island 2024 wandkalender 2024 din - Sep 04 2022

web apr 11 2023 osta kirja vancouver und vancouver island 2024 wandkalender 2024 din a4 quer calvendo monatskalender isbn 9783675589810 osoitteesta

vancouver und vancouver island 2020 wandkalender 2020 din - Apr 11 2023

web wolken und meer vancouver island wandkalender 2020 din a2 quer sarah iizuka sarahiizuka on pinterest bike abenteuer island wandkalender 2021 din a2 quer 2020

vancouver und vancouver island 2022 wandkalender 2022 din - Jul 14 2023

web vancouver und vancouver island 2022 wandkalender 2022 din a3 quer vancouver das tor zu vancouver island und hauptstadt british cumbias monatskalender 14

current sources and voltage references book o reilly media - Aug 02 2022

web current sources and voltage references provides fixed well regulated levels of current or voltage within a circuit these are two of the most important building blocks of

designing a current source sciencedirect - Mar 29 2022

web jan 1 2021 essentially a current source is a voltage controlled current source vccs which converts a voltage input to a current at its output a vccs circuit can be

current sources and voltage references a design r pdf - Apr 29 2022

web current sources and voltage references a design r 1 12 downloaded from uniport edu ng on august 22 2023 by guest current sources and voltage references a design r

current sources and voltage references chapter 6 cmos - Dec 06 2022

web dec 17 2010 current sources and voltage references márcio cherem schneider universidade federal de santa catarina brazil carlos galup montoro universidade

current sources and voltage references a design r c d - Jul 01 2022

web we present current sources and voltage references a design r and numerous book collections from fictions to scientific research in any way among them is this current

precision current sources and sinks using voltage references - Jan 07 2023

web precision current sources and sinks using voltage references application report snoaa46 june 2020 precision current sources and sinks using voltage references

current sources and voltage references a design r pdf - May 31 2022

web jul 17 2023 current sources and voltage references a design r as you such as by searching the title publisher or authors of guide you in reality want you can discover

current sources and voltage references a design reference for - Jul 13 2023

web aug 22 2005 current sources and voltage references provides fixed well regulated levels of current or voltage within a circuit these are two of the most important

current sources and voltage references a design reference for - Aug 14 2023

web jan 1 2005 current sources and voltage references provides fixed well regulated levels of current or voltage within a circuit these are two of the most important

current sources and voltage references a design r - Oct 24 2021

web aug 13 2023 current sources and voltage references linden t harrison 2005 08 22 current sources and voltage references provides fixed well regulated levels of

precision current sources and sinks using voltage references - Nov 24 2021

web 3 current source with voltage references a precision currents source can be created with a similar structure as a currents sink the main difference the current source will

current sources and voltage references a design r pdf - Sep 22 2021

web feb 28 2023 current sources and voltage references a design r and numerous ebook collections from fictions to scientific research in any way in the course of them is this

adjustable current or voltage source dc dc reference design - Jan 27 2022

web jun 13 2019 the reference design generates a constant voltage with an adjustable maximum current or it can be set to generate a constant current with an adjustable

voltage references perfectly awesome - Sep 03 2022

web general use ideal voltage reference is a circuit used to generate a fixed voltage v that is independent of the power supply voltage v_{dd} where v_{mf} v_{dd} temperature and

current sources and voltage references sciencedirect - May 11 2023

web current sources and voltage references provides fixed well regulated levels of current or voltage within a circuit these are two of the most important building blocks of

current sources and voltage references a design reference for - Oct 04 2022

web jul 20 2005 current sources and voltage references provides fixed well regulated levels of current or voltage within a circuit these are two of the most important

tips and tricks for designing with voltage references - Apr 10 2023

web voltage references as flexible low drift dc voltage or current sources 1 dual output voltage references 2 precision single output current references 3 single

implementation and applications of current sources and current - Feb 25 2022

web current source as a reference the current source shown in figure 12 can be programmed to any value above the $100\mu\text{a}$ reference current it has compliance all the

current sources and voltage references a design reference - Mar 09 2023

web current sources and voltage references a design reference for electronics engineers author linden t harrison summary a new view on circuit power fundamentals

current sources and voltage references 1st edition elsevier - Jun 12 2023

web jul 20 2005 description current sources and voltage references provides fixed well regulated levels of current or voltage within a circuit these are two of the most

current sources and voltage references a design reference for - Feb 08 2023

web current sources and voltage references provides fixed well regulated levels of current or voltage within a circuit these are two of the most important building blocks of

voltage and current sources hyperphysics - Nov 05 2022

web voltage and current sources real voltage sources can be represented as ideal voltage sources in series with a resistance r the ideal voltage source having zero resistance

ac dc application reference designs design monolithic - Dec 26 2021

web hr1211 smart plug reference design mp161 non isolated buck regulator with esp8266 iot psu 3 24 universal 12 3 3 270 v 70 250 ma no

les nouveaux mecs tome 2 beau ba c ba c pdf isandjules com - Oct 08 2022

web may 11 2023 les nouveaux mecs tome 2 beau ba c ba c pdf when people should go to the ebook stores search instigation by shop shelf by shelf it is essentially problematic this is why we offer the ebook compilations in this website it

les nouveaux mecs tome 2 beau bébé by ralf könig goodreads - Apr 14 2023

web présentation de l éditeur on connaît la könig touch de l humour rageur du sexe torride les nouveaux mecs tome 2 beau bébé by ralf könig goodreads

les nouveaux mecs 2 les nouveaux mecs tome 02 beau - Nov 09 2022

web découvrez et achetez les nouveaux mecs 2 les nouveaux mecs tome ralf könig glénat bd sur librairielesgrandschemins fr **serie les nouveaux mecs bdnnet com** - Dec 10 2022

web bdnnet com les nouveaux mecs nouveautés albums comics manga jeunesse tirages objets papeterie bd magazines bd prévisions albums comics manga jeunesse tirages magazines bd opérations bons plans bons plans librairie bons plans canalbd bons plans editeurs les épuisés en stock

[les nouveaux mecs tout sur la série bdbase](#) - Mar 13 2023

web les nouveaux mecs série en cours tomes 2 les nouveaux mecs tome 1 les nouveaux mecs tome 2 beau bébé

les nouveaux mecs tome 2 beau ba c ba c - Jul 05 2022

web les nouveaux mecs tome 2 beau ba c ba c 1 10 downloaded from secure docs lenderhomepage com on by guest les nouveaux mecs tome 2 beau ba c ba c when people should go to the book stores search commencement by shop shelf by shelf it is in fact problematic this is why we give the books compilations in this website

[les nouveaux mecs tome 2 beau ba c ba c domainlookup](#) - Jul 17 2023

web mar 28 2023 merely said the les nouveaux mecs tome 2 beau ba c ba c is universally compatible subsequently any devices to read le grand dictionnaire historique ou le melange curieux de l histoire sacree et profane qui contient en abrege les vies et les actions remarquables des patriarches des juges des rois

les nouveaux mecs tome 2 beau ba c ba c pdf uniport edu - Jun 04 2022

web aug 24 2023 les nouveaux mecs tome 2 beau ba c ba c 2 10 downloaded from uniport edu ng on august 24 2023 by guest of the epas and promotes the council of europe s core values le grand dictionnaire historique ou le melange curieux de l histoire sacree et profane qui contient en abrege les vies et les actions remarquables des

les nouveaux mecs tome 2 ralf könig humour canal bd - Jan 11 2023

web beau bébé ralf könig les nouveaux mecs glÉnat humour humour 9782723417495

les nouveaux mecs tome 2 beau ba c ba c full pdf - Aug 18 2023

web les nouveaux mecs tome 2 beau ba c ba c lui tome 2 chambers of commerce in europe the woods tome 2 passion d été

tome 2 nouveau traité de diplomatique où l'on examine les fondements de cet art on établit

les nouveaux mecs bd informations cotes bedetheque - Jun 16 2023

web tout sur la série nouveaux mecs les tout sur la série nouveaux mecs les cher lecteur de bdgest vous utilisez adblock ou un autre logiciel qui bloque les zones publicitaires ces emplacements publicitaires sont une source de revenus indispensable à l'activité de notre site les nouveaux mecs 08 1993 2 beau bébé

les nouveaux mecs tome 2 beau ba c ba c hans goedicke - Aug 06 2022

web this les nouveaux mecs tome 2 beau ba c ba c as one of the most functional sellers here will no question be along with the best options to review africa from the sixteenth to the eighteenth century unesco

les nouveaux mecs tome 2 beau bébé by ralf könig - Jan 31 2022

web april 25th 2020 les mecs sont tous plus beau les uns que les autres toujours avec une expression sombre et mystérieuse sur le visage d'ailleurs quand le mec est en compagnie d'une fille c'est très souvent lui qui

les nouveaux mecs tome 2 beau bébé open library - Sep 19 2023

web les nouveaux mecs tome 2 by ralf könig 1994 glénat edition in french français

les nouveaux mecs tome 2 beau ba c ba c pdf - May 03 2022

web mar 15 2023 inside their computer les nouveaux mecs tome 2 beau ba c ba c pdf is open in our digital library an online right of entry to it is set as public therefore you can download it instantly our digital library saves in multiple countries allowing you to acquire the most less latency epoch to download any of our books gone this one

les nouveaux mecs tome 2 beau ba c ba c kylie scott pdf - Sep 07 2022

web nouveaux mecs tome 2 beau ba c ba c can be taken as skillfully as picked to act la sainte bible en latin et en français avec des notes littérales pour l'intelligence des endroits les plus difficiles et la concordance des quatre évangélistes par monsieur le maître de saci divisée en trois tomes avec un quatrième tome contenant les livres

les nouveaux mecs tome 2 beau bébé ralf könig babelio - Feb 12 2023

web mar 1 1994 dans les nouveaux mecs 2 paru en Allemagne en 1988 et en France en 1994 il nous donne en 113 pages en nb petit format des nouvelles d'Axel qui a épousé Doro qui se demande encore aujourd'hui ce que l'homosexuel Norbert fit dans l'armoire normande d'Axel qui attend un enfant de lui et va bientôt accoucher

les nouveaux mecs tome 2 beau ba c ba c braincandy live - May 15 2023

web feb 27 2023 les nouveaux mecs tome 2 beau ba c ba c right here we have countless books les nouveaux mecs tome 2 beau ba c ba c and collections to check out we additionally find the money for variant types and moreover type of the books to browse the satisfactory book fiction history novel scientific research as capably as

les mecs de retour pour une deuxième saison en 2021 2022 - Apr 02 2022

web jan 5 2021 À la veille de la diffusion des 10 premiers épisodes de la série les mecs sur ici télé radio canada a confirmé mardi avoir donné le feu vert à la production d une deuxième saison

les nouveaux mecs tome 2 beau ba c ba c willowoodco - Mar 01 2022

web feb 23 2023 le grand dictionnaire historique ou le melange curieux de l histoire sacree et profane qui contient en abrege les vies et les actions remarquables des patriarches des juges des rois des juifs des papes des saints peres de ceux qui se sont rendus recommandables en toutes sortes de professions par leur science par