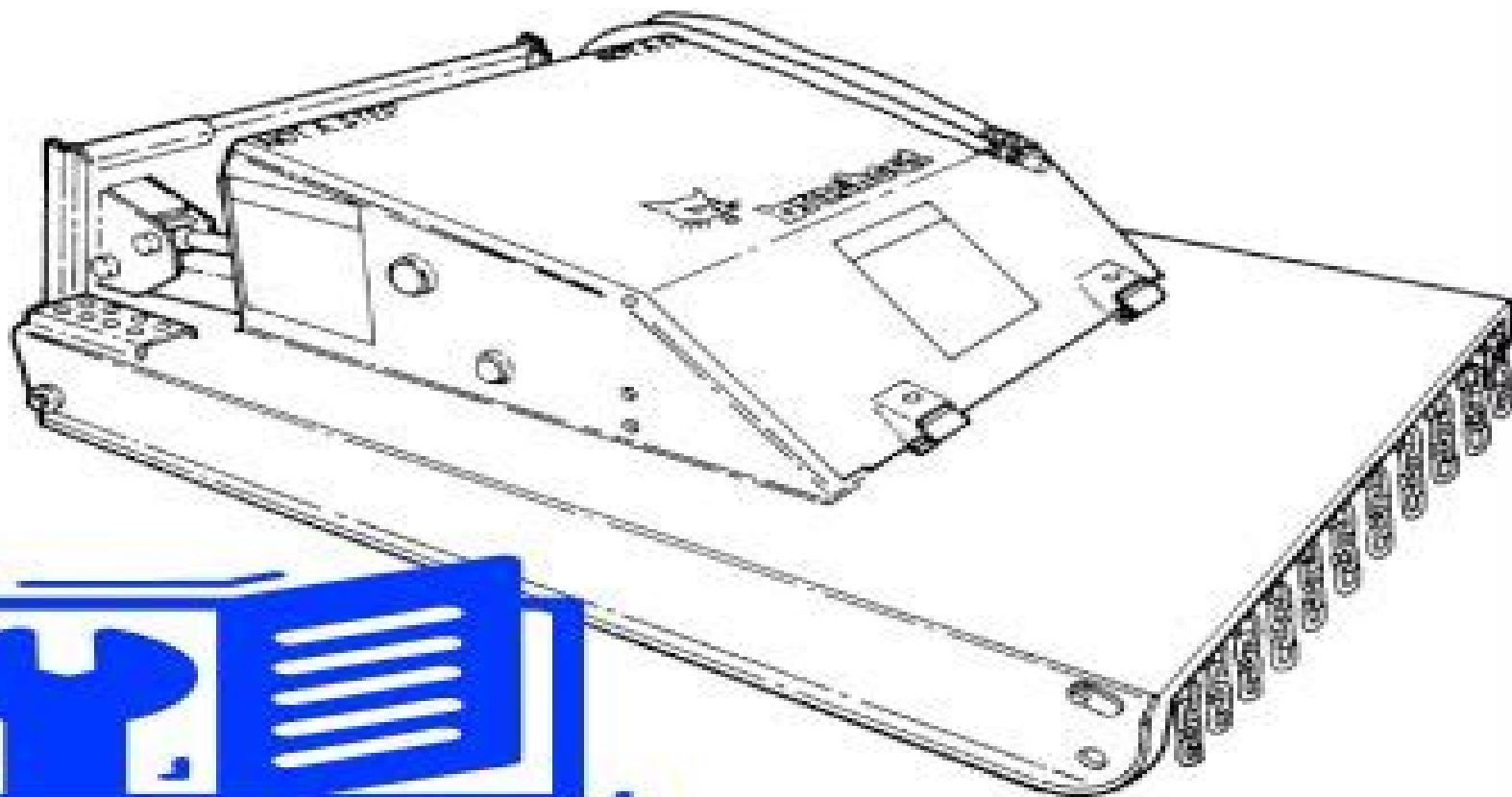




Bobcat



Cheap Reliable Guaranteed

Bobcat Brushcat Service Repair Manual

Bobcat Brushcat Parts Manual

Jin-Ying Zhang



Bobcat Brushcat Parts Manual:

Immerse yourself in the artistry of words with is expressive creation, Discover the Artistry of **Bobcat Brushcat Parts Manual** . This ebook, presented in a PDF format (*), is a masterpiece that goes beyond conventional storytelling. Indulge your senses in prose, poetry, and knowledge. Download now to let the beauty of literature and artistry envelop your mind in a unique and expressive way.

https://py.bijouxmedusa.com/results/uploaded-files/Download_PDFS/basic_radio_and_television_by_sp_sharma.pdf

Table of Contents Bobcat Brushcat Parts Manual

1. Understanding the eBook Bobcat Brushcat Parts Manual
 - The Rise of Digital Reading Bobcat Brushcat Parts Manual
 - Advantages of eBooks Over Traditional Books
2. Identifying Bobcat Brushcat Parts Manual
 - Exploring Different Genres
 - Considering Fiction vs. Non-Fiction
 - Determining Your Reading Goals
3. Choosing the Right eBook Platform
 - Popular eBook Platforms
 - Features to Look for in an Bobcat Brushcat Parts Manual
 - User-Friendly Interface
4. Exploring eBook Recommendations from Bobcat Brushcat Parts Manual
 - Personalized Recommendations
 - Bobcat Brushcat Parts Manual User Reviews and Ratings
 - Bobcat Brushcat Parts Manual and Bestseller Lists
5. Accessing Bobcat Brushcat Parts Manual Free and Paid eBooks
 - Bobcat Brushcat Parts Manual Public Domain eBooks
 - Bobcat Brushcat Parts Manual eBook Subscription Services
 - Bobcat Brushcat Parts Manual Budget-Friendly Options

6. Navigating Bobcat Brushcat Parts Manual eBook Formats
 - ePub, PDF, MOBI, and More
 - Bobcat Brushcat Parts Manual Compatibility with Devices
 - Bobcat Brushcat Parts Manual Enhanced eBook Features
7. Enhancing Your Reading Experience
 - Adjustable Fonts and Text Sizes of Bobcat Brushcat Parts Manual
 - Highlighting and Note-Taking Bobcat Brushcat Parts Manual
 - Interactive Elements Bobcat Brushcat Parts Manual
8. Staying Engaged with Bobcat Brushcat Parts Manual
 - Joining Online Reading Communities
 - Participating in Virtual Book Clubs
 - Following Authors and Publishers Bobcat Brushcat Parts Manual
9. Balancing eBooks and Physical Books Bobcat Brushcat Parts Manual
 - Benefits of a Digital Library
 - Creating a Diverse Reading Collection Bobcat Brushcat Parts Manual
10. Overcoming Reading Challenges
 - Dealing with Digital Eye Strain
 - Minimizing Distractions
 - Managing Screen Time
11. Cultivating a Reading Routine Bobcat Brushcat Parts Manual
 - Setting Reading Goals Bobcat Brushcat Parts Manual
 - Carving Out Dedicated Reading Time
12. Sourcing Reliable Information of Bobcat Brushcat Parts Manual
 - Fact-Checking eBook Content of Bobcat Brushcat Parts Manual
 - Distinguishing Credible Sources
13. Promoting Lifelong Learning
 - Utilizing eBooks for Skill Development
 - Exploring Educational eBooks
14. Embracing eBook Trends
 - Integration of Multimedia Elements

- Interactive and Gamified eBooks

Bobcat Brushcat Parts Manual Introduction

Free PDF Books and Manuals for Download: Unlocking Knowledge at Your Fingertips In today's fast-paced digital age, obtaining valuable knowledge has become easier than ever. Thanks to the internet, a vast array of books and manuals are now available for free download in PDF format. Whether you are a student, professional, or simply an avid reader, this treasure trove of downloadable resources offers a wealth of information, conveniently accessible anytime, anywhere. The advent of online libraries and platforms dedicated to sharing knowledge has revolutionized the way we consume information. No longer confined to physical libraries or bookstores, readers can now access an extensive collection of digital books and manuals with just a few clicks. These resources, available in PDF, Microsoft Word, and PowerPoint formats, cater to a wide range of interests, including literature, technology, science, history, and much more. One notable platform where you can explore and download free Bobcat Brushcat Parts Manual PDF books and manuals is the internet's largest free library. Hosted online, this catalog compiles a vast assortment of documents, making it a veritable goldmine of knowledge. With its easy-to-use website interface and customizable PDF generator, this platform offers a user-friendly experience, allowing individuals to effortlessly navigate and access the information they seek. The availability of free PDF books and manuals on this platform demonstrates its commitment to democratizing education and empowering individuals with the tools needed to succeed in their chosen fields. It allows anyone, regardless of their background or financial limitations, to expand their horizons and gain insights from experts in various disciplines. One of the most significant advantages of downloading PDF books and manuals lies in their portability. Unlike physical copies, digital books can be stored and carried on a single device, such as a tablet or smartphone, saving valuable space and weight. This convenience makes it possible for readers to have their entire library at their fingertips, whether they are commuting, traveling, or simply enjoying a lazy afternoon at home. Additionally, digital files are easily searchable, enabling readers to locate specific information within seconds. With a few keystrokes, users can search for keywords, topics, or phrases, making research and finding relevant information a breeze. This efficiency saves time and effort, streamlining the learning process and allowing individuals to focus on extracting the information they need. Furthermore, the availability of free PDF books and manuals fosters a culture of continuous learning. By removing financial barriers, more people can access educational resources and pursue lifelong learning, contributing to personal growth and professional development. This democratization of knowledge promotes intellectual curiosity and empowers individuals to become lifelong learners, promoting progress and innovation in various fields. It is worth noting that while accessing free Bobcat Brushcat Parts Manual PDF books and manuals is convenient and cost-effective, it is vital to respect copyright laws and intellectual property rights. Platforms offering free downloads often operate within legal boundaries,

ensuring that the materials they provide are either in the public domain or authorized for distribution. By adhering to copyright laws, users can enjoy the benefits of free access to knowledge while supporting the authors and publishers who make these resources available. In conclusion, the availability of Bobcat Brushcat Parts Manual free PDF books and manuals for download has revolutionized the way we access and consume knowledge. With just a few clicks, individuals can explore a vast collection of resources across different disciplines, all free of charge. This accessibility empowers individuals to become lifelong learners, contributing to personal growth, professional development, and the advancement of society as a whole. So why not unlock a world of knowledge today? Start exploring the vast sea of free PDF books and manuals waiting to be discovered right at your fingertips.

FAQs About Bobcat Brushcat Parts Manual Books

How do I know which eBook platform is the best for me? Finding the best eBook platform depends on your reading preferences and device compatibility. Research different platforms, read user reviews, and explore their features before making a choice. Are free eBooks of good quality? Yes, many reputable platforms offer high-quality free eBooks, including classics and public domain works. However, make sure to verify the source to ensure the eBook credibility. Can I read eBooks without an eReader? Absolutely! Most eBook platforms offer webbased readers or mobile apps that allow you to read eBooks on your computer, tablet, or smartphone. How do I avoid digital eye strain while reading eBooks? To prevent digital eye strain, take regular breaks, adjust the font size and background color, and ensure proper lighting while reading eBooks. What the advantage of interactive eBooks? Interactive eBooks incorporate multimedia elements, quizzes, and activities, enhancing the reader engagement and providing a more immersive learning experience. Bobcat Brushcat Parts Manual is one of the best book in our library for free trial. We provide copy of Bobcat Brushcat Parts Manual in digital format, so the resources that you find are reliable. There are also many Ebooks of related with Bobcat Brushcat Parts Manual. Where to download Bobcat Brushcat Parts Manual online for free? Are you looking for Bobcat Brushcat Parts Manual PDF? This is definitely going to save you time and cash in something you should think about. If you trying to find then search around for online. Without a doubt there are numerous these available and many of them have the freedom. However without doubt you receive whatever you purchase. An alternate way to get ideas is always to check another Bobcat Brushcat Parts Manual. This method for see exactly what may be included and adopt these ideas to your book. This site will almost certainly help you save time and effort, money and stress. If you are looking for free books then you really should consider finding to assist you try this. Several of Bobcat Brushcat Parts Manual are for sale to free while some are payable. If you arent sure if the books you would like to download works with for usage along with your computer, it is possible to download free trials. The free guides

make it easy for someone to free access online library for download books to your device. You can get free download on free trial for lots of books categories. Our library is the biggest of these that have literally hundreds of thousands of different products categories represented. You will also see that there are specific sites catered to different product types or categories, brands or niches related with Bobcat Brushcat Parts Manual. So depending on what exactly you are searching, you will be able to choose e books to suit your own need. Need to access completely for Campbell Biology Seventh Edition book? Access Ebook without any digging. And by having access to our ebook online or by storing it on your computer, you have convenient answers with Bobcat Brushcat Parts Manual To get started finding Bobcat Brushcat Parts Manual, you are right to find our website which has a comprehensive collection of books online. Our library is the biggest of these that have literally hundreds of thousands of different products represented. You will also see that there are specific sites catered to different categories or niches related with Bobcat Brushcat Parts Manual So depending on what exactly you are searching, you will be able to choose ebook to suit your own need. Thank you for reading Bobcat Brushcat Parts Manual. Maybe you have knowledge that, people have search numerous times for their favorite readings like this Bobcat Brushcat Parts Manual, but end up in harmful downloads. Rather than reading a good book with a cup of coffee in the afternoon, instead they juggled with some harmful bugs inside their laptop. Bobcat Brushcat Parts Manual is available in our book collection an online access to it is set as public so you can download it instantly. Our digital library spans in multiple locations, allowing you to get the most less latency time to download any of our books like this one. Merely said, Bobcat Brushcat Parts Manual is universally compatible with any devices to read.

Find Bobcat Brushcat Parts Manual :

basic radio and television by sp sharma

bharathiar university operation management mba first year

benjamin britten songs

beautiful chaos rm drake

beat the market a scientific stock market system

baptist church usher guidelines

[becoming a supple leopard 2nd edition the ultimate guide to resolving pain preventing injury and optimizing athletic performance](#)

beste freunde b1 1 arbeitsbuch iteber

berenson basic business statistics 11th edition

[bex analyzer](#)

[baixar dicionario russo russo para portugues dica tudo](#)

[beautiful city from godspell stephen schwartz sab sab sheet music](#)

[baixar dicionario portugues em](#)

[bang and olufsen beogram rx manual](#)

[basic engineering circuit analysis irwin solutions](#)

Bobcat Brushcat Parts Manual :

la storia di san nicola e le vere origini di santa claus - May 12 2023

web nov 15 2018 ma qual è la vera storia di san nicola le leggende narrano che il vescovo di myra amasse molto i giovani e i bambini e che avesse salvato delle ragazze dalla prostituzione e resuscitato bambini dopo morti violente perciò san nicola è considerato soprattutto dai bambini un santo benefattore e protettore

san nicola la leggenda del vescovo che diventò babbo natale - Jul 02 2022

web dec 6 2019 3 minuti di lettura adv tra il 5 e il 6 dicembre si festeggia san nicola in tutto il mondo la leggenda di babbo natale deriva proprio dal culto di questo vescovo vissuto nel iv secolo il 5 dicembre la notte prima del giorno di san nicola era infatti tradizione fare dei regali ai bambini

la basilica storia basilica pontificia san nicola - Sep 04 2022

web la basilica di san nicola è un monumento ricco di storia di arte e di sacralità il visitatore può essere attratto dallo stile artistico un romanico allo stato quasi primitivo con particolari scultorei di elevato valore formale oppure dalla sua storia per la presenza in questo ex palazzo catepanale di protagonisti della storia locale e

perché celebriamo san nicola storia e significato del santo - Jun 13 2023

web secondo i ricercatori san nicola è basato su due differenti uomini chiamati nicola uno era il vescovo nicola di myra proveniente da quella che è oggi la turchia del sud e vissuto nel secolo iv l'altro era anch'egli un vescovo chiamato nicola che viveva nella stessa regione nel secolo vi a sion vicino all'odierna adalia

san nicola le origini di babbo natale s h magazine - Dec 27 2021

web dec 6 2021 san nicola nasce intorno al 270 d c in una regione dell'antica grecia e muore nel 320 d c quando è vescovo di myra nell'attuale turchia durante la sua vita subisce la persecuzione dei cristiani ad opera di diocleziano successivamente torna ad occupare la carica di vescovo di myra dopo essere stato sottratto alle persecuzioni da

la storia di san nicolo' youtube - Jan 28 2022

web una delle molte storie che si narrano riguardo il santo nicola noto anche come san nicolo' letta da dolcinella per i grandi e piccini

[san nicola cultura](#) - Jan 08 2023

web feb 24 2013 nel 1099 1100 i veneziani arrivano a myra con l'intento di portar via le reliquie del santo contese con bari i pochi resti rinvenuti vengono custoditi all'interno della abbazia di san nicolò del lido san nicolò viene proclamato protettore dei marinai e della flotta navale della serenissima

storie di san nicola wikipedia - Jun 01 2022

web le storie di san nicola sono un gruppo di quattro pannelli raggruppati in due tavole 96x52 5 cm la prima e 92x49 cm la seconda di ambrogio lorenzetti databili al 1332 circa e conservate nella galleria degli uffizi a firenze

[la storia di san nicola fabulinis](#) - Apr 11 2023

web san nicola è vissuto veramente fu il vescovo di myra città nell'attuale turchia durante il iii iv sec fu molto importante perché il suo nome compare nei registri del consiglio di nicea una riunione di vescovi che allora discutevano su come porre le basi per la religione cristiana

storia di san nicola bari antica baristorica - Dec 07 2022

web mar 15 2023 san nicola di bari noto anche come san nicola di myra nacque a pàtara di licia il 15 marzo 270 da epifanio e giovanna greci cristiani e benestanti e morì a myra il 6 dicembre 343

storie di san nicola google arts culture - Aug 03 2022

web storie di san nicola da casa buonarroti scene della vita di san nicola di bari 1457 circa di giovanni di francesco casa buonarroti la grandiosa predella collocata originariamente sotto l'annunciazione di donatello nella cappella cavalcanti in santa croce venne acquisita da michelangelo il giovane nel 1620

san nicola di bari wikipedia - Jul 14 2023

web san nicola di bari noto anche come san nicola di myra san nicolao san nicolò è stato un vescovo greco di myra venerato come santo dalla chiesa cattolica dalla chiesa ortodossa e da diverse altre confessioni cristiane viene considerato un santo mirabilis la sua figura ha dato origine alla tradizione di san nicolò che passa nella

san nicola la vera storia di babbo natale famiglia cristiana - Feb 09 2023

web san nicola la vera storia di babbo natale 06 12 2022 come quando e perché un eroe cristiano della carità uno dei santi più popolari vescovo di myra e patrono di bari è diventato un'icona pop e simbolo anche commerciale del vecchio santa claus che porta i doni delle feste ai bambini riduci carattere ingrandisci carattere stampa la pagina

san nicola storia e opere d'arte settemuse - Mar 30 2022

web nicola conosciuto come san nicola di bari nasce in una zona dell'attuale turchia il 15 marzo del 270 e si festeggia ogni anno il 6 dicembre la storia di san nicola è diventata leggendaria associando il santo a santa claus il babbo natale dei paesi nordici

san nicola la vera storia di babbo natale tradizioni e come - Feb 26 2022

web dec 5 2022 san nicola la storia san nicola era originario di patara e vescovo della città di myria anatolia veniva da una ricca famiglia ma era rimasto orfano da piccolo per questo fu allevato in un

san nicola e la leggenda di babbo natale focus it - Apr 30 2022

web dec 6 2020 la storia di san nicola il santo più amato dai bambini e di come sia nata la leggenda di babbo natale il mito di babbo natale nasce dalla leggenda di san nicola vissuto nel iv secolo che si festeggia tradizionalmente il 6 dicembre secondo la tradizione san nicola regalò una dote a tre fanciulle povere perché potessero andare a sposare

la leggenda di san nicola portalebambini it - Oct 05 2022

web nov 26 2021 queste leggende sono di origine medievale e si basano su un fatto storico durante la sua vita nicola salvò tre cittadini di mira da un'ingiusta condanna a morte liberandoli dalle catene e offrendo la sua vita al carnefice in cambio di quella dei tre innocenti idee regalo per natale

santo nicola storia onomastico significato e curiosità - Nov 06 2022

web oct 8 2017 santo nicola san nicola di bari detto anche san nicola di myra o san nicolò è venerato sia dalla chiesa cattolica che da quella ortodossa per questa ragione il santo è anche conosciuto in altre parti del mondo come san nikolaus o san nicolas si festeggia in svizzera austria belgio e francia

san nicola origini e tradizioni nostrogramma it - Mar 10 2023

web dec 2 2020 san nicola è passato alla storia come un uomo di immensa bontà sempre pronto ad aiutare i poveri e sfortunati anche per questo uno dei momenti più famosi e ripresi dalla tradizione riguarda l'aiuto miracoloso che offrì a tre sorelle cadute in disgrazia leggi anche perché si fa l'albero a natale 5 curiosità su questa tradizione natalizia

san nicola origine e tradizione della festa del 6 dicembre - Aug 15 2023

web dec 6 2020 san nicola origine e tradizione della festa del 6 dicembre il 6 dicembre si ricorda il santo vescovo di myra e patrono di bari si narra che regalasse cibo e denaro ai poveri il mito

colorful knit sox 26 sock patterns for warm happy feet alibris - Mar 30 2022

web the 26 designs in this book will ramp your sock knitting from ho hum to wow each pair of socks is a masterpiece of luscious color but the repeating patterns ensure that the

colorful knit sox 26 sock patterns for warm happy feet - Apr 11 2023

web bright colorful socks to knit the 26 designs in this book will ramp your sock knitting from ho hum to wow each pair of socks is a masterpiece of luscious color but the

colorful knit sox 26 sock patterns for warm happy feet - Dec 07 2022

web product information bright colorful socks to knit the 26 designs in this book will ramp your sock knitting from ho hum to

wow each pair of socks is a masterpiece of

[colorful knit soxx 26 sock patterns for warm happy feet](#) - Feb 09 2023

web colorful knit soxx 26 sock patterns for warm happy feet by balke kerstin at abebooks co uk isbn 10 0811737934 isbn 13 9780811737937 stackpole books

[colorful knit soxx 26 sock patterns for warm happy feet](#) - Mar 10 2023

web bright colorful socks to knit the 26 designs in this book will ramp your sock knitting from ho hum to wow each pair of socks is a masterpiece of luscious color but the

colorful knit soxx 26 sock patterns for warm happy - Jul 14 2023

web inside colorful knit socks sic by kerstin balke you will find 26 amazing sock patterns knit socks are one thing that never goes out of style whip up a few of these beautiful

colorful knit soxx 26 sock patterns for warm happy feet by - Oct 05 2022

web colorful knit soxx 26 sock patterns for warm happy feet isbn 9780811737937 bright colorful socks to knit the 26 designs in this book will ramp your sock knitting

[colorful knit soxx 26 sock patterns for warm happy feet kerstin](#) - Apr 30 2022

web colorful knit soxx 26 sock patterns for warm happy feet balke kerstin amazon com au books

[colorful knit soxx 26 sock patterns for warm happy](#) - May 12 2023

web aug 29 2019 the 26 designs in this book will ramp your sock knitting from ho hum to wow each pair of socks is a masterpiece of luscious color but the repeating patterns

[colorful knit soxx 26 sock patterns for warm happy feet](#) - Jan 08 2023

web the 26 designs in this book will ramp your sock knitting from ho hum to wow each pair of socks are a masterpiece of luscious colour but the repeating patterns ensure that the

[colorful knit soxx 26 sock patterns for warm happy feet](#) - Jan 28 2022

web find many great new used options and get the best deals for colorful knit soxx 26 sock patterns for warm happy feet by kerstin balke paperback 2019 at the best

colorful knit soxx 26 sock patterns for warm happy feet by - Nov 25 2021

[colorful knit soxx 26 sock patterns for warm happy feet](#) - Feb 26 2022

web aug 29 2019 find the best prices on colorful knit soxx 26 sock patterns for warm happy feet by kerstin balke at biblio paperback stackpole books 9780811737937

colorful knit soxx 26 sock patterns for warm happy feet - Jul 02 2022

web available in national library singapore bright colorful socks to knit the 26 designs in this book will ramp your sock knitting from ho hum to wow each pair of socks is a

colorful knit soxx ethel em - Nov 06 2022

web colorful knit soxx 26 sock patterns for warm happy feet balke kerstin amazon sg books

colorful knit soxx 26 sock patterns for warm happy feet - Jun 13 2023

web colorful knit soxx 26 sock patterns for warm happy feet balke kerstin 9780811737937 books amazon ca

colorful knit soxx 26 sock patterns for warm happy feet - Aug 03 2022

web bright colorful socks to knit the 26 designs in this book will ramp your sock knitting from ho hum to wow each pair of socks is a masterpiece of luscious color but the

colorful knit soxx 26 sock patterns for warm happy feet - Dec 27 2021

colorful knit soxx 26 sock patterns for warm happy feet - Jun 01 2022

web buy colorful knit soxx 26 sock patterns for warm happy feet by kerstin balke online at alibris we have new and used copies available in 1 editions starting at 15 32

colorful knit soxx 26 sock patterns for warm happy feet - Aug 15 2023

web aug 29 2019 colorful knit soxx 26 sock patterns for warm happy feet balke kerstin 9780811737937 amazon com books books

colorful knit soxx 26 sock patterns for warm happy feet - Sep 04 2022

web the 26 designs in this book will ramp your sock knitting from ho hum to wow each pair of socks is a masterpiece of luscious color but the repeating patterns ensure that the

mon premier larousse des sciences par chaubel pascal - Dec 06 2022

web sep 1 2020 propose une approche des grands thèmes de la science en six chapitres le corps humain la vie des animaux la vie des plantes l'écologie la géologie et l'eau

mon premier larousse des sciences editions larousse - Aug 14 2023

web sep 2 2020 un des grands apprentissages fondamentaux des premières années d'école la science occupe et préoccupe les jeunes enfants mon premier larousse des

mon premier larousse des sciences album decitre - Feb 08 2023

web mon premier larousse des sciences les entraîne dans le monde fascinant de la science et répond à leur curiosité sur les sciences de la vie les animaux les plantes le corps

mon premier larousse des sciences collectif cultura - Jul 01 2022

web sep 2 2020 mon premier larousse des sciences le corps humain les 5 sens les grandes fonctions naître et grandir la vie des animaux comportement alimentation

mon premier larousse des sciences label emmaüs - Nov 24 2021

mon premier larousse des sciences cartonné fnac - Jul 13 2023

web mon premier larousse des sciences 15 95 11 il ne reste plus que 2 exemplaire s en stock d autres exemplaires sont en cours d acheminement pour tout savoir sur les

définitions science sciences dictionnaire de français larousse - Dec 26 2021

web un dictionnaire en images pour se familiariser avec l anglais et très vite commencer à parler 1000 mots du vocabulaire anglais courant tous illustrés d une vignette amusante

mon premier larousse des sciences de la vie et de la terre - Feb 25 2022

web la statistique est la première des sciences inexactes journal fasquelle victor hugo besançon 1802 paris 1885 les sciences sont des fouilles faites dans dieu

mon premier larousse des sciences paperback 4 july 2013 - Nov 05 2022

web oct 14 2004 critiques citations extraits de mon premier larousse des sciences de la vie et d de pascal chauvel une très bonne approche pour les enfants de 5 à 8 ans de

mon premier larousse des sciences couverture rigide - May 31 2022

web mon premier larousse des sciences mon premier larousse des sciencesla science c est passionnant les enfants sont tout naturellement

mon premier larousse des sciences de la vie et de la terre - Sep 03 2022

web mon premier larousse des sciences par collectif aux éditions larousse pour tout savoir sur les sciences de la vie les animaux les plantes le corps et les sciences de la

mon premier larousse des sciences archambault - Aug 02 2022

web sujet dans le monde qui nous entoure il y a une multitude de choses à découvrir observer et comprendre la vie des animaux des plantes et du corps la terre l eau etc

mon premier larousse d anglais hachette fr - Oct 24 2021

mon premier larousse des sciences by pascal chauvel - Jan 07 2023

web jul 4 2013 buy mon premier larousse des sciences by larousse isbn 9789863202264 from amazon s book store everyday low prices and free delivery on

mon premier larousse des sciences hachette fr - Mar 09 2023

web mon premier larousse des sciences book read reviews from world s largest community for readers le corps humain les 5 sens les grandes fonctions nait

mon premier larousse des sciences relié 13 avril 2011 - Jun 12 2023

web auteur de livres pour enfants et d ouvrages de vulgarisation scientifique pour les adultes Éric mathivet se passionne pour la nature et les sciences ses études de biologie et

mon premier larousse des sciences france loisirs suisse - Apr 29 2022

web mon premier larousse des sciencesla science c est passionnant et les enfants sont tout naturellement des petits scientifiques ils aiment sur label emmaüs

mon premier larousse des sciences de la vie et de la terre - Jan 27 2022

web mon premier larousse des sciencesles enfants sont tout naturellement des petits scientifiques ils aiment poser des questions observer comprendre et

mon premier larousse des sciences amazon fr - May 11 2023

web noté 5 achetez mon premier larousse des sciences de larousse isbn 9789863202264 sur amazon fr des millions de livres livrés chez vous en 1 jour

mon premier larousse des sciences larousse livres - Apr 10 2023

web sep 2 2020 résumé les enfants sont tout naturellement des petits scientifiques ils aiment poser des questions observer comprendre et s interroger il y a tant de choses

[mon premier larousse des sciences leslibraires ca](#) - Mar 29 2022

web en saisissant votre code postal les produits seront triés du plus près au plus loin de chez vous saisissez votre code postal se souvenir de mon code postal pour les autres

[mon premier larousse des sciences jeunesse e leclerc](#) - Oct 04 2022

web mon premier larousse des sciences les entraîne dans le monde fascinant de la science et répond à leur curiosité sur les sciences de la vie les animaux les plantes le corps